



US00D391016S

United States Patent [19]

Marusiak

[11] Patent Number: **Des. 391,016**

[45] Date of Patent: ****Feb. 17, 1998**

[54] **CIGAR CUTTER**

[76] Inventor: **Robert L. Marusiak**, 5915 E. Indian School Rd., Phoenix, Ariz. 85018

[**] Term: **14 Years**

[21] Appl. No.: **58,953**

[22] Filed: **Aug. 29, 1996**

[51] **LOC (6) Cl.** **27-99**

[52] **U.S. Cl.** **D27/195**

[58] **Field of Search** D27/195, 193, D27/194; 131/252, 248, 253, 254; 30/190, 111, 112, 113

[56] **References Cited**

U.S. PATENT DOCUMENTS

D. 244,390	5/1977	Zimmermann	D27/51
D. 270,485	9/1983	Cervantes	D27/195
D. 314,639	2/1991	Rousseau	D27/195
1,166,881	1/1916	Anderson	30/113

Primary Examiner—Susan J. Lucas
Assistant Examiner—Jennifer Register
Attorney, Agent, or Firm—Meschkow & Gresham, P.L.C.

[57] **CLAIM**

The ornamental design for a cigar cutter, as shown and described.

DESCRIPTION

FIG. 1 is a front elevational view of the cigar cutter, showing my new design;

FIG. 2 is a rear elevational view thereof;

FIG. 3 is a right side elevational view thereof;

FIG. 4 is a left view side elevational view thereof;

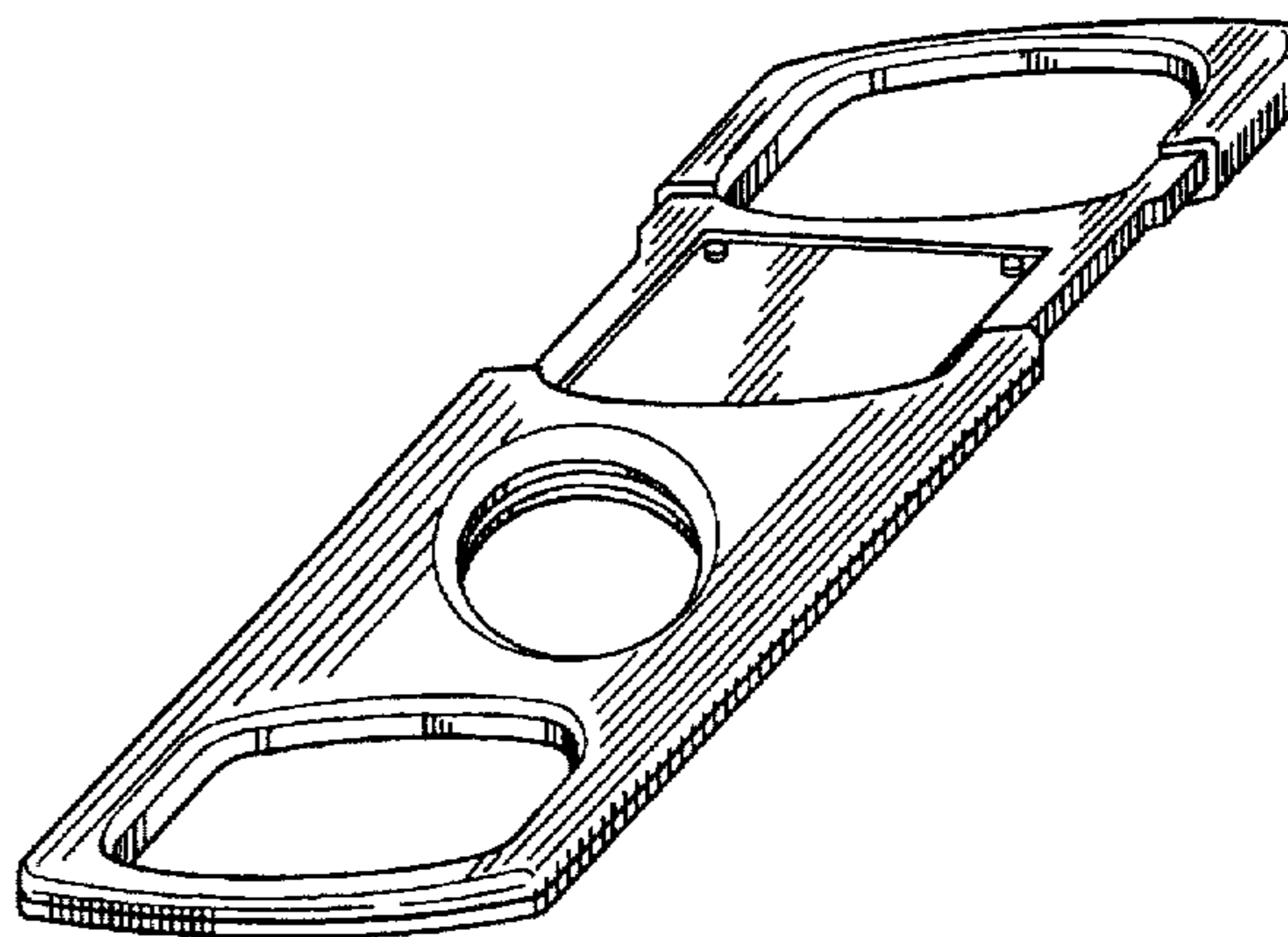
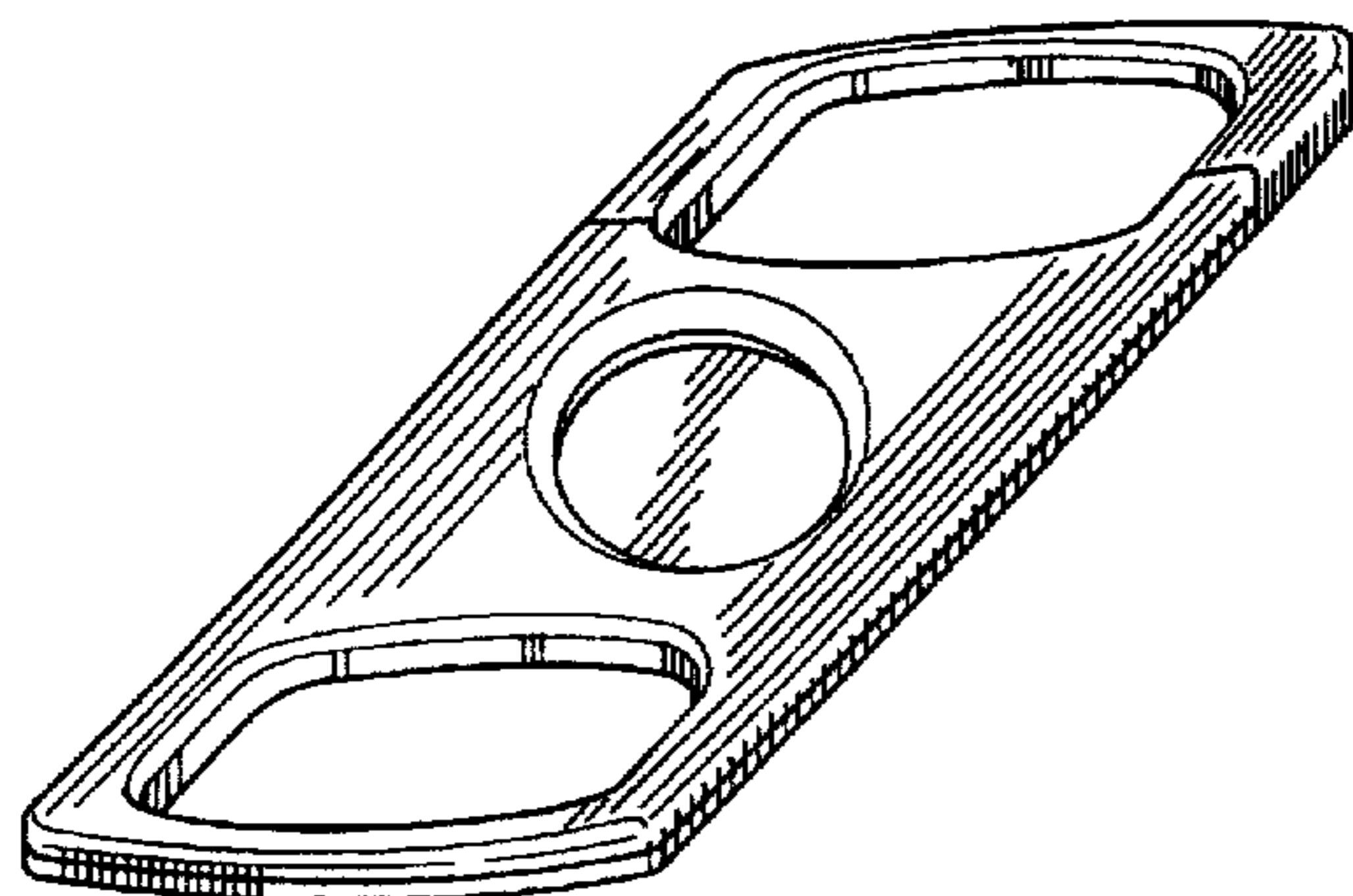
FIG. 5 is a top plan view thereof;

FIG. 6 is a bottom plan view thereof;

FIG. 7 is a perspective view thereof; and,

FIG. 8 is a perspective view thereof, with the cutter raised.

1 Claim, 2 Drawing Sheets



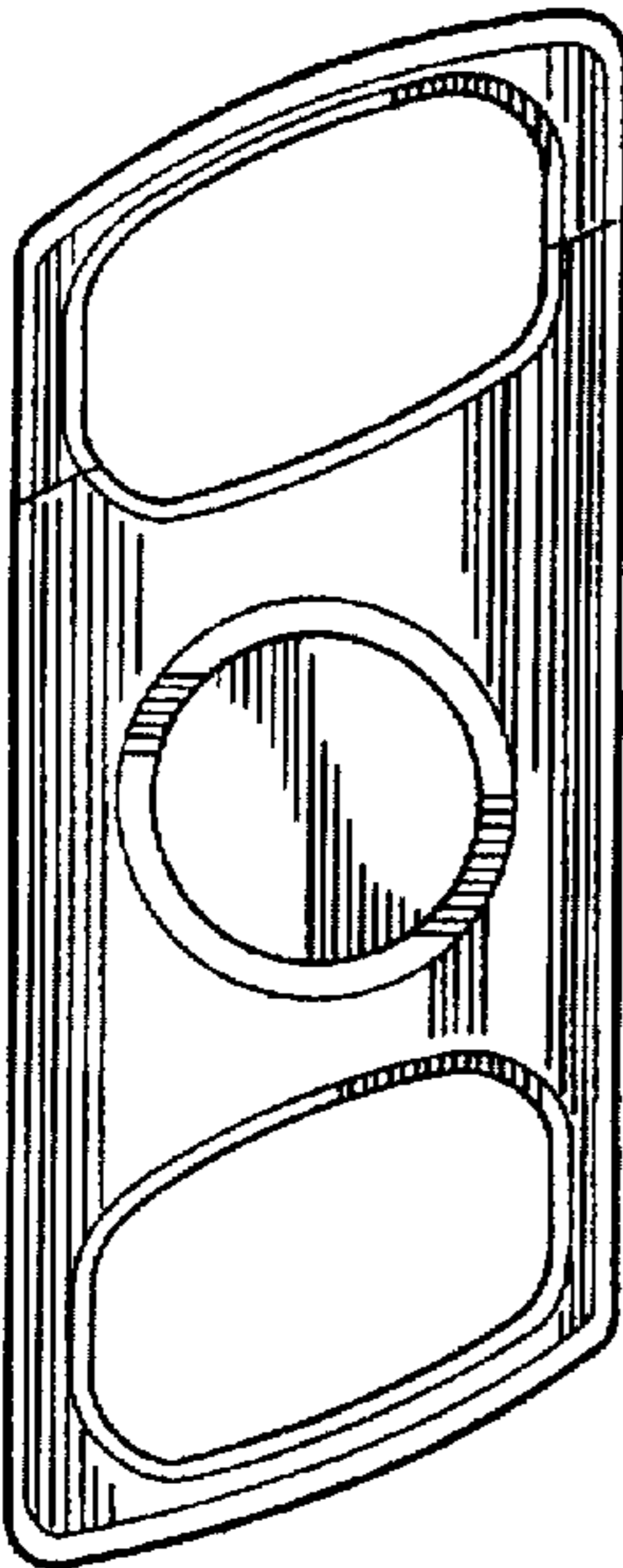


FIG. 1

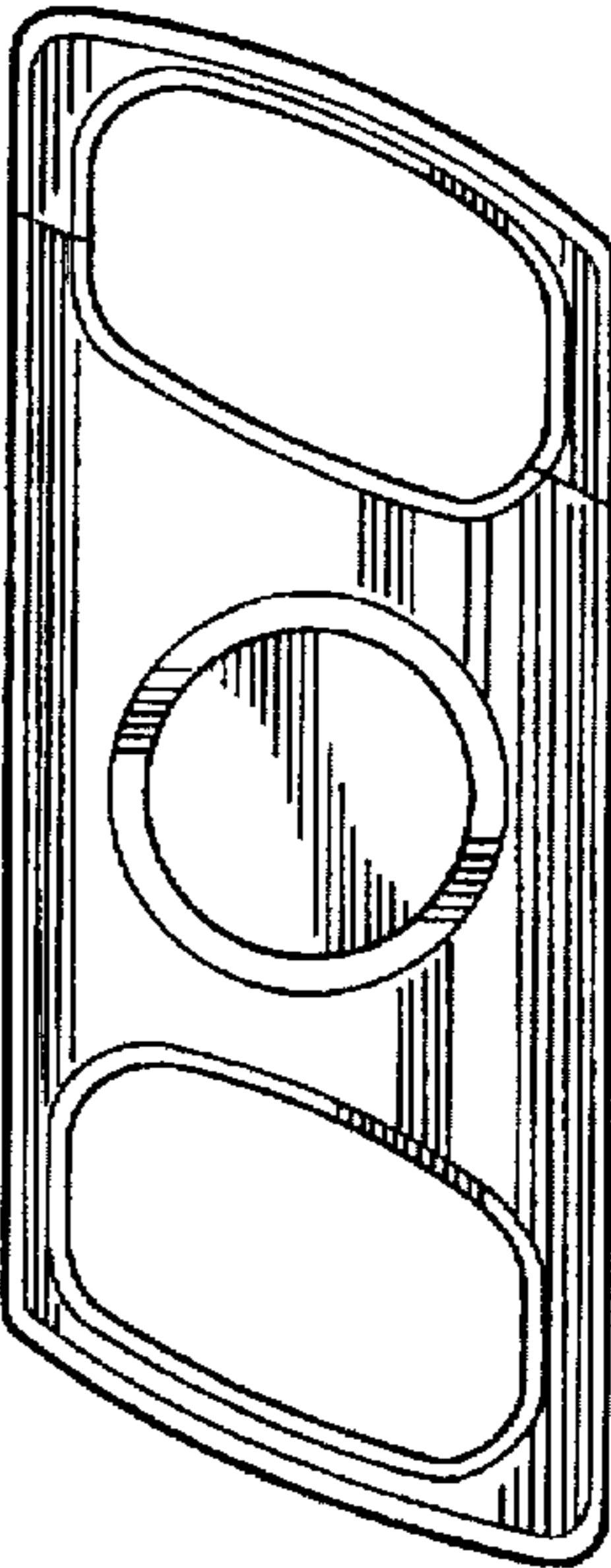


FIG. 2

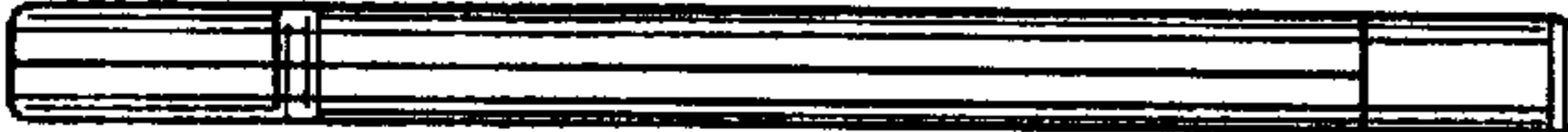


FIG. 3

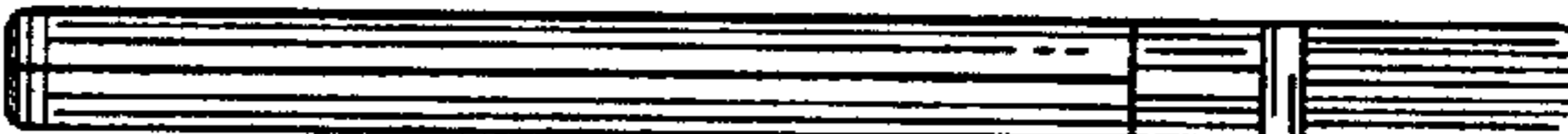


FIG. 4

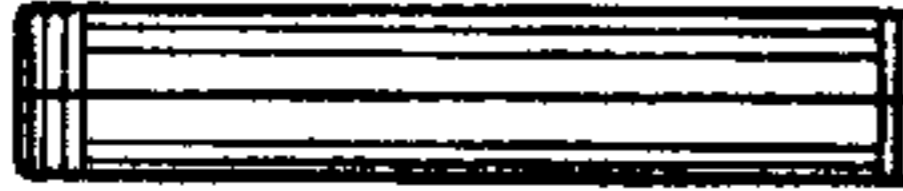


FIG. 5



FIG. 6

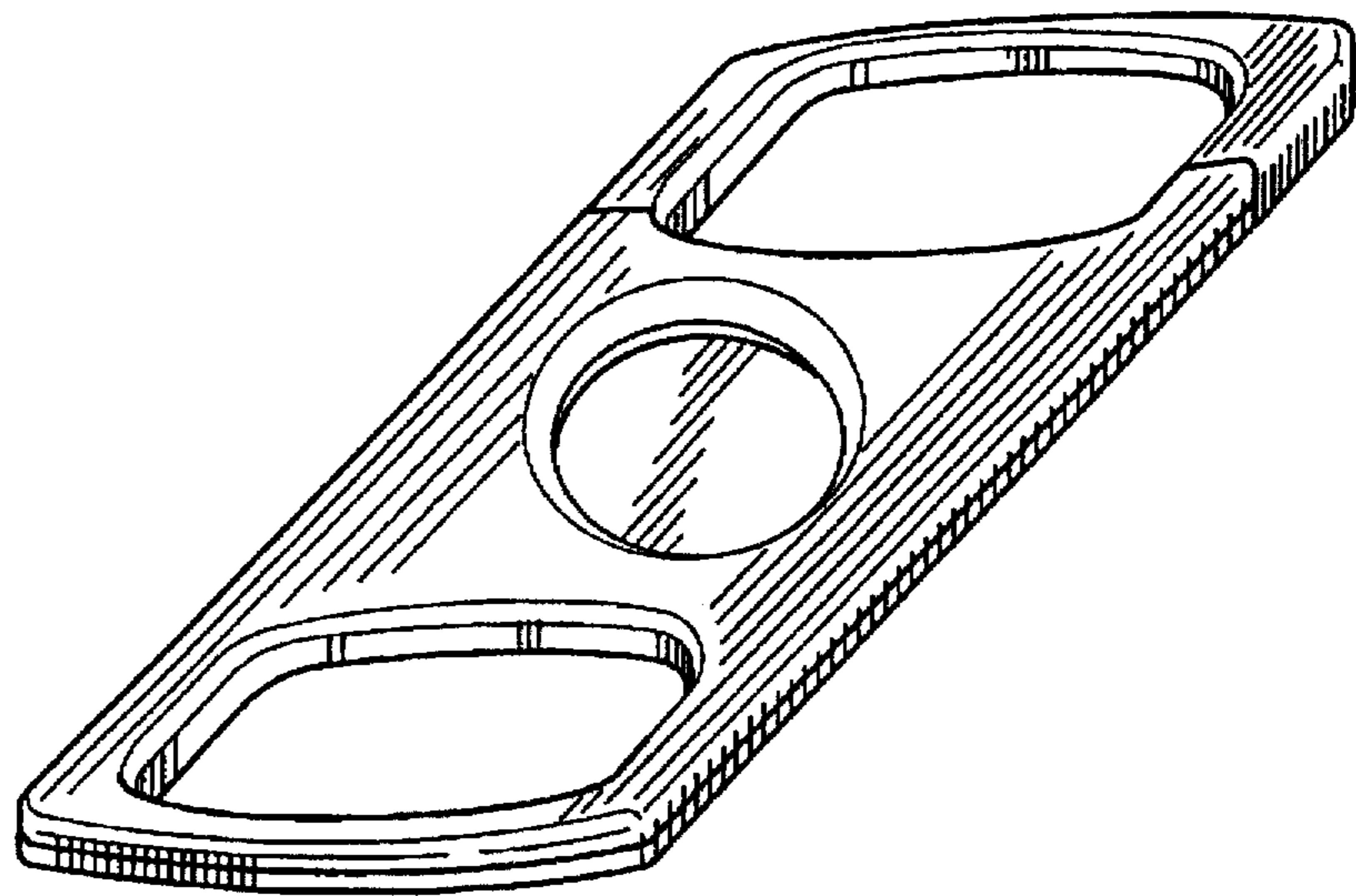


FIG. 7

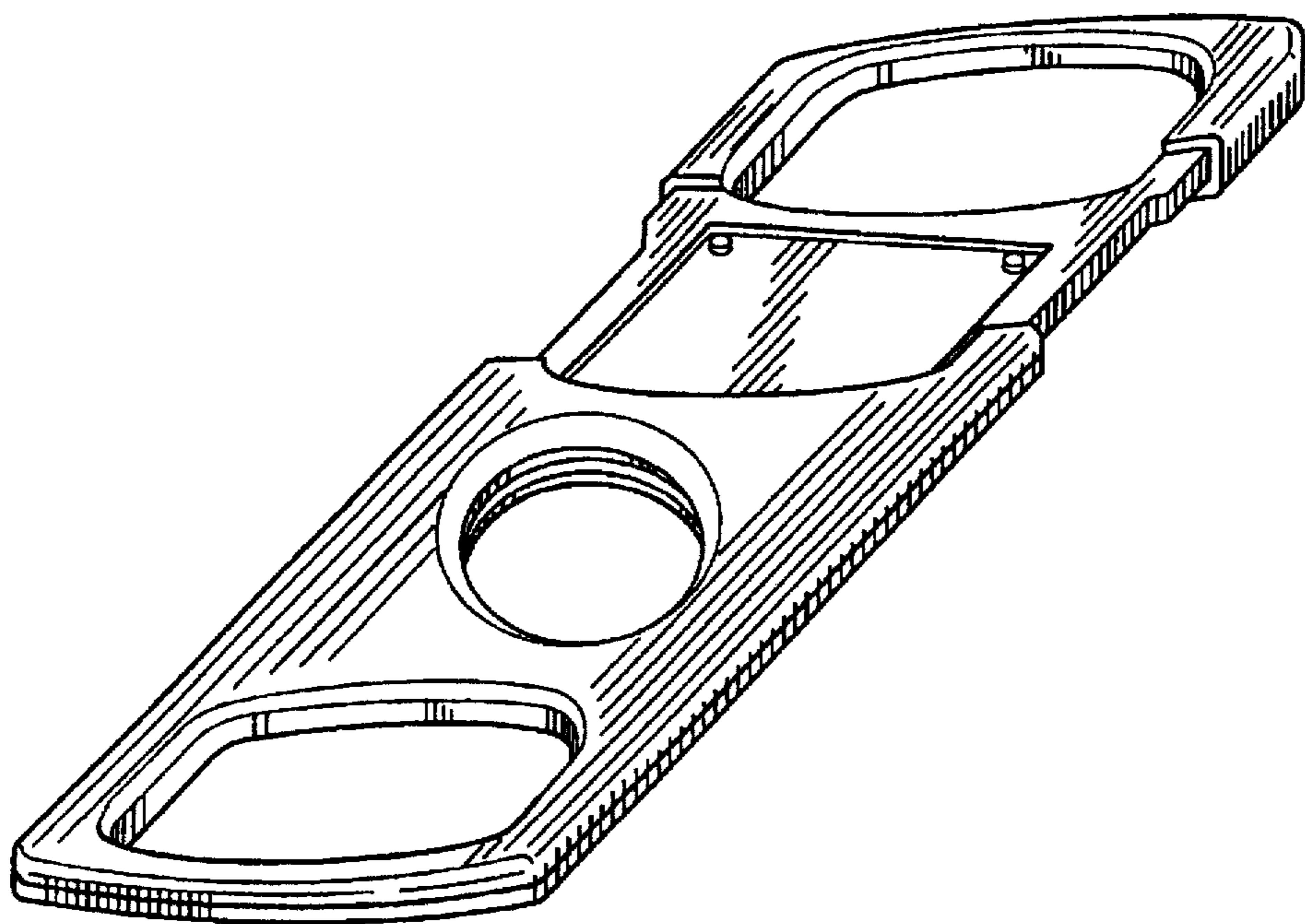


FIG. 8