



US00D391011S

**United States Patent** [19]  
**Kluck**

[11] **Patent Number: Des. 391,011**  
[45] **Date of Patent: \*\*\*Feb. 17, 1998**

[54] **FRAME FOR CEILING LIGHTING FIXTURE**

[75] **Inventor: Kevin Von Kluck, Hudson, Ohio**

[73] **Assignee: The L.D. Kichler Co., Cleveland, Ohio**

[\*] **Notice:** The portion of the term of this patent subsequent to Jul. 8, 2011, has been disclaimed.

[\*\*] **Term: 14 Years**

[21] **Appl. No.: 63,906**

[22] **Filed: Dec. 18, 1996**

[51] **LOC (6) Cl. .... 26-05**

[52] **U.S. Cl. .... D26/142; D26/84**

[58] **Field of Search .... D26/72, 80-92,  
D26/141, 142, 143, 144, 145, 149; 362/147,  
404-408**

[56] **References Cited**

**U.S. PATENT DOCUMENTS**

D. 63,570 12/1923 Meixner ..... D26/88  
D. 87,213 6/1932 Hoffmann ..... D26/90  
1,644,452 10/1927 Spencer ..... 362/408

**OTHER PUBLICATIONS**

Corbett Lighting Catalog, p. 62, chandelier body, Aug. 1995.

*Primary Examiner*—Susan J. Lucas  
*Attorney, Agent, or Firm*—Watts, Hoffman, Fisher & Heinke, Co., L.P.A.

[57] **CLAIM**

The ornamental design for a frame for ceiling lighting fixture, as shown and described.

**DESCRIPTION**

FIG. 1 is a perspective view of a frame for ceiling lighting fixture showing my new design;

FIG. 2 is a front side elevational view of the frame for ceiling lighting fixture;

FIG. 3 is a left side elevational view of the frame for ceiling lighting fixture, the right side elevational view being a mirror image;

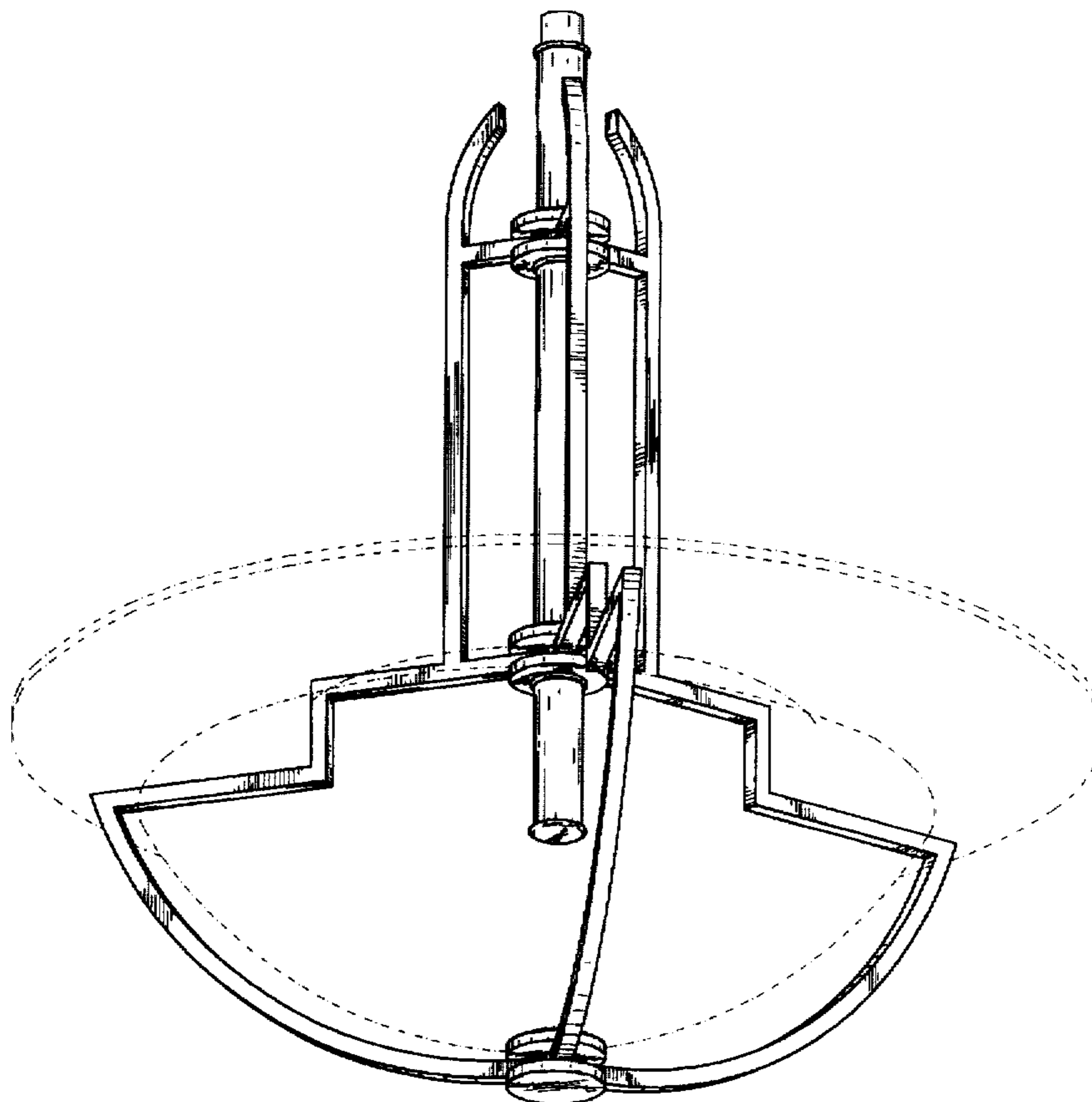
FIG. 4 is a rear side elevational view of the frame for ceiling lighting fixture;

FIG. 5 is a top plan view of the frame for ceiling lighting fixture; and,

FIG. 6 is a bottom plan view of the frame for ceiling lighting fixture.

The broken lines showing of the shades is for illustrative purposes only and forms no part of the claimed design.

**1 Claim, 5 Drawing Sheets**



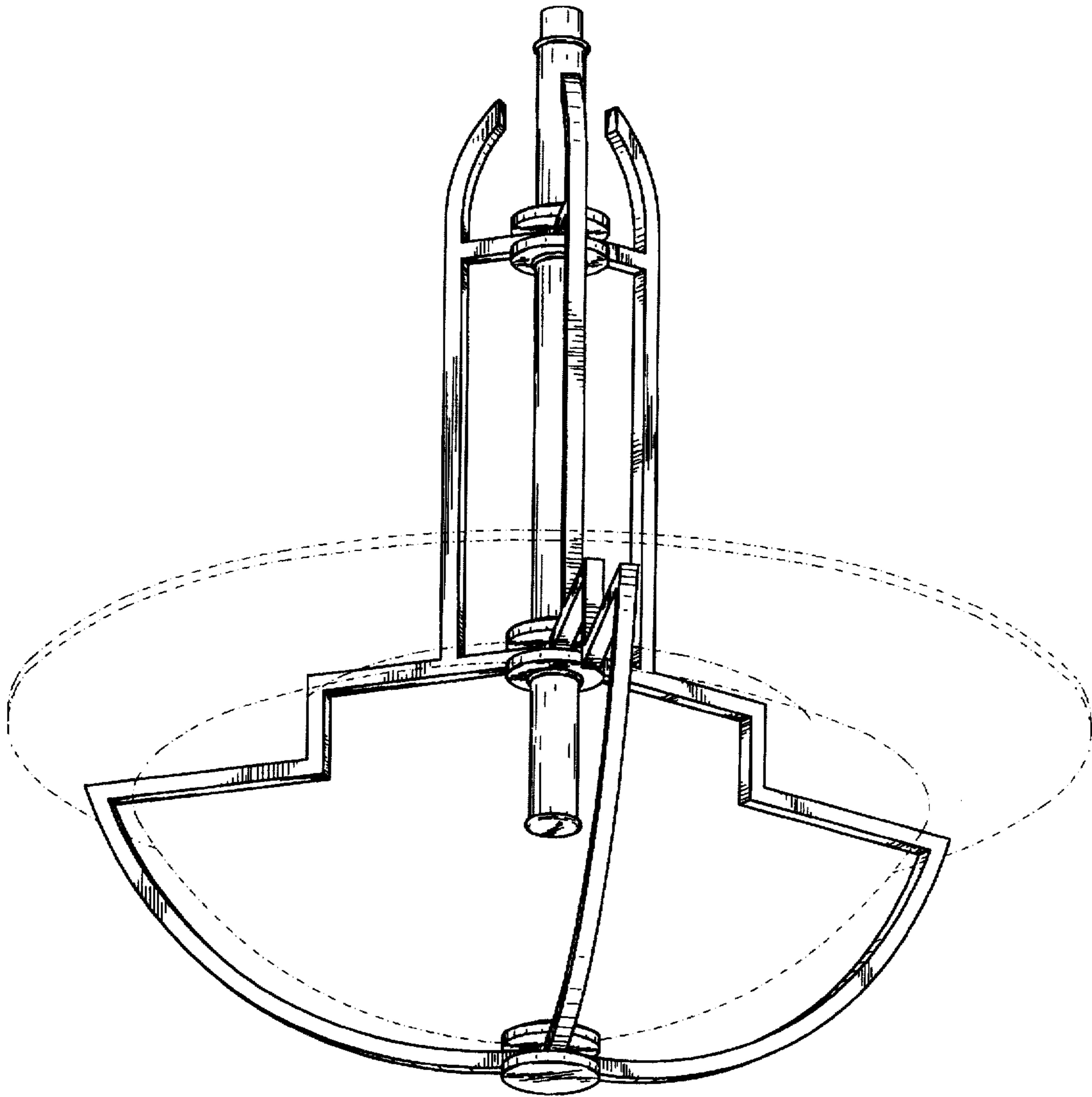


Fig.1

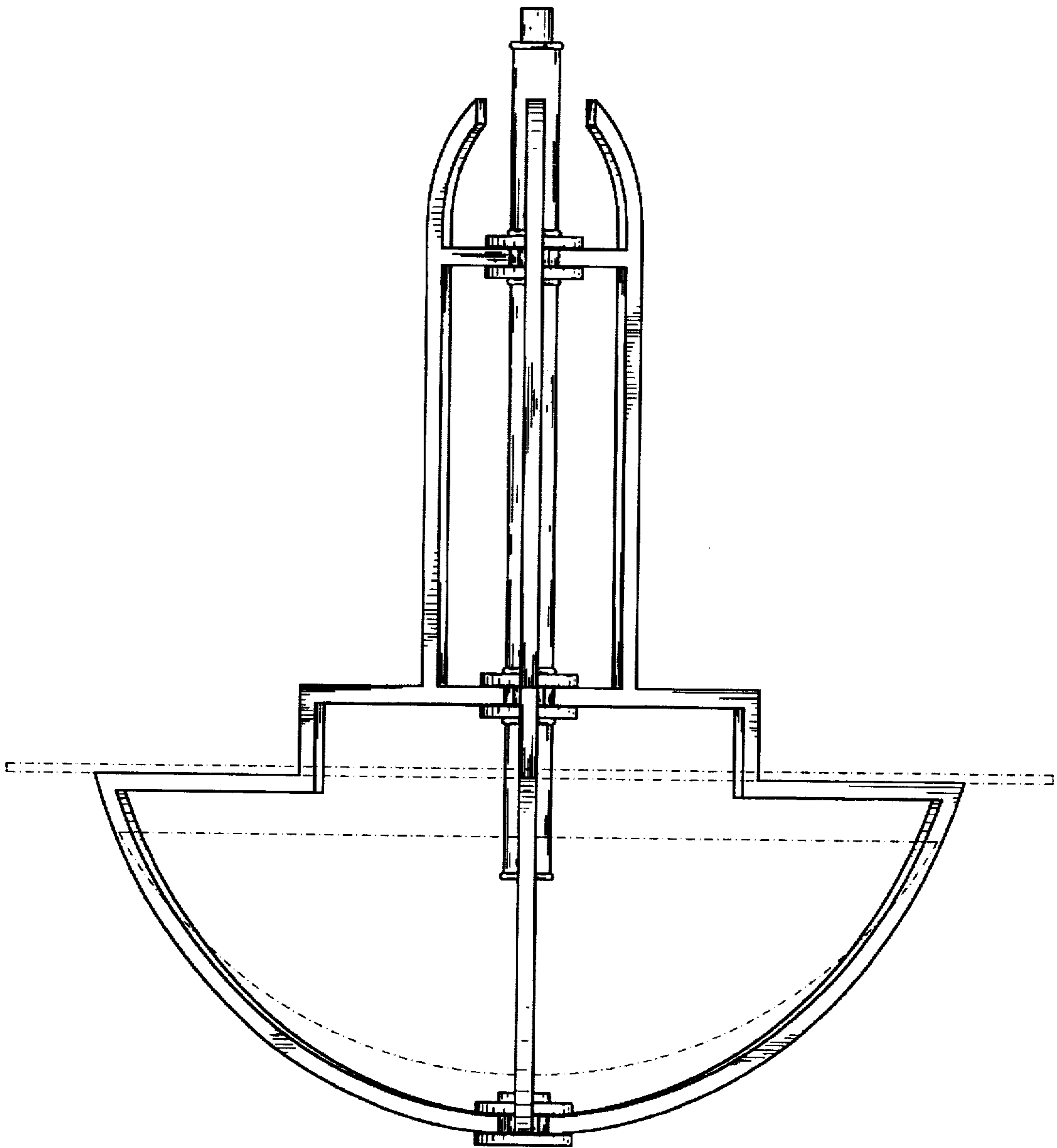


Fig.2

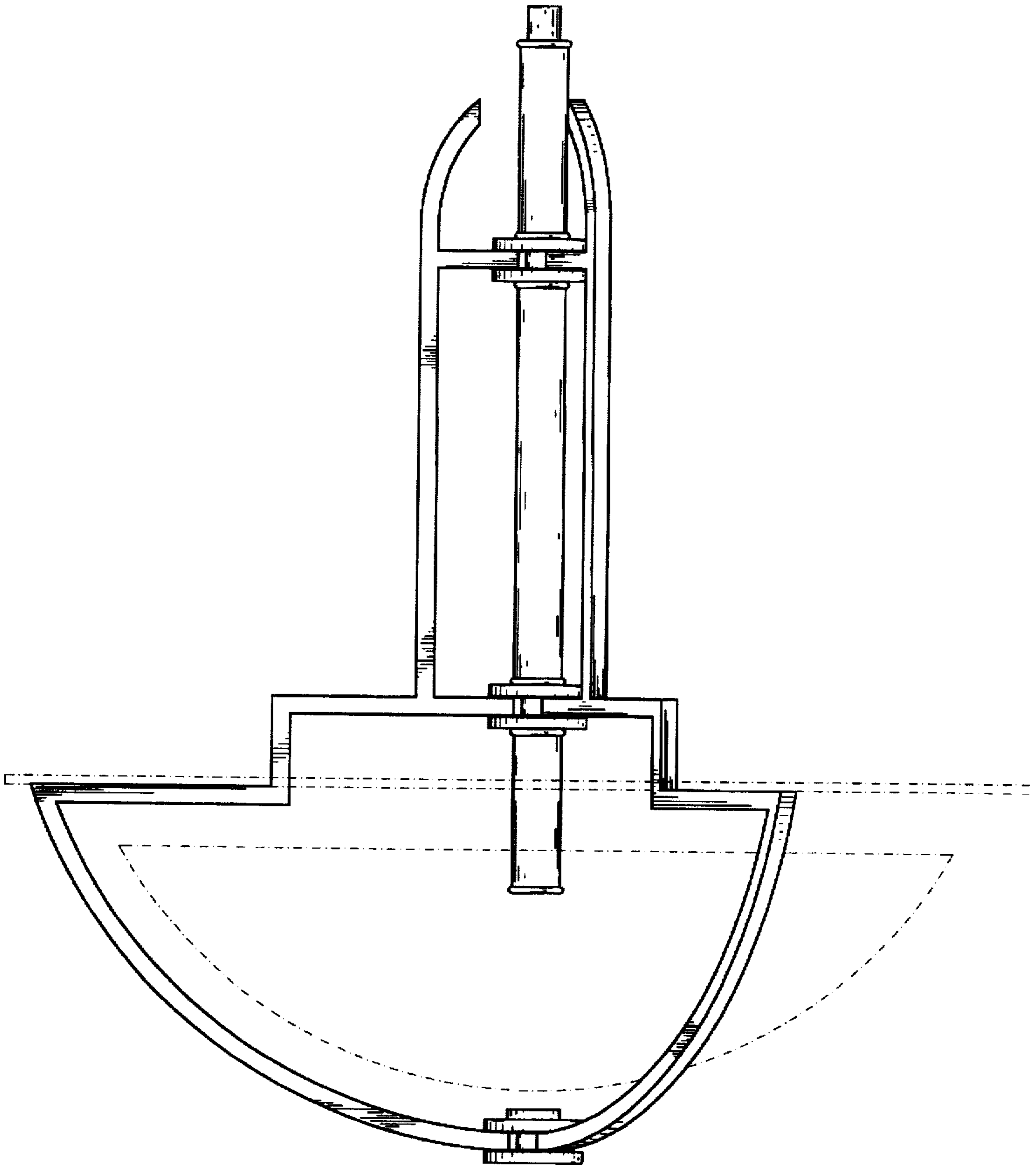


Fig.3

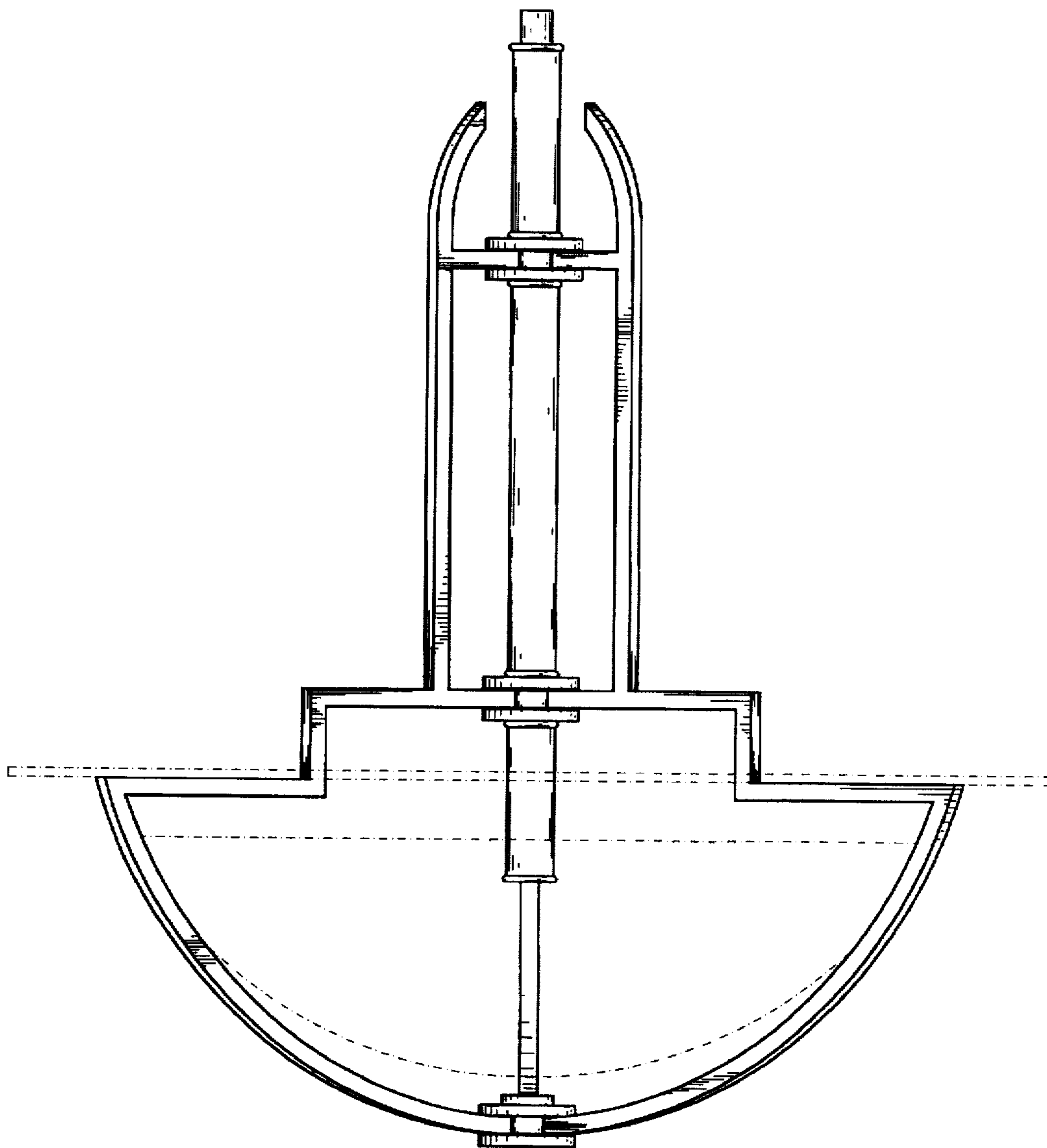


Fig.4

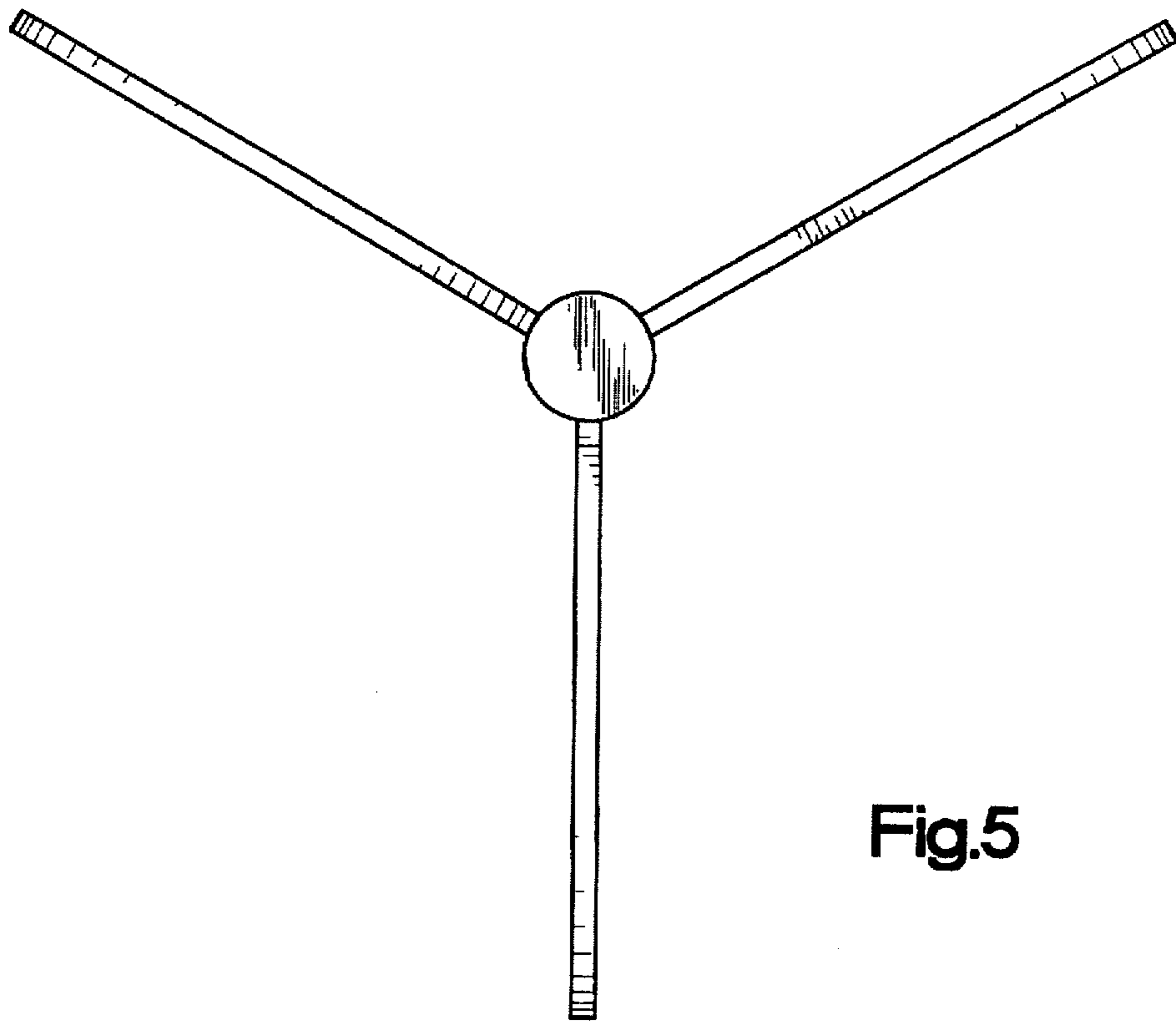


Fig.5

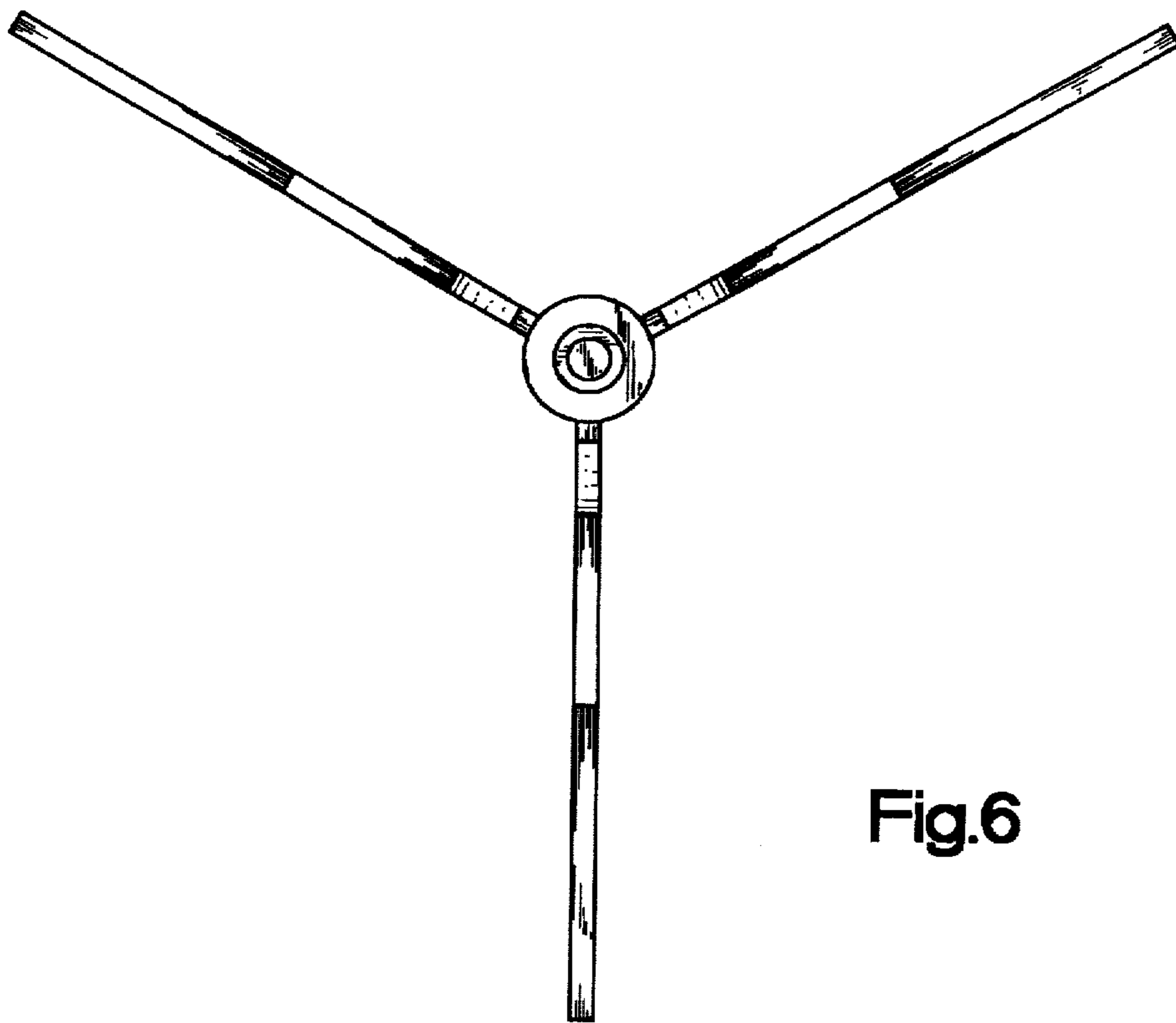


Fig.6