



US00D391010S

United States Patent [19]
Shen

[11] **Patent Number: Des. 391,010**
[45] **Date of Patent: **Feb. 17, 1998**

[54] **SUPPORTING BRACKET FOR TRACK LIGHTING SYSTEM**

[76] **Inventor: Wei-Hong Shen, 6F. No. 416, Sec. 4, Jen Ai Road, Taipei, Taiwan**

[**] **Term: 14 Years**

[21] **Appl. No.: 53,197**

[22] **Filed: Apr. 17, 1996**

[51] **LOC (6) Cl. 26-99**

[52] **U.S. Cl. D26/140**

[58] **Field of Search** D26/61, 63, 65, D26/138, 140; 362/269, 275, 285, 286, 287, 418, 419, 428, 430, 147; D13/133, 155; 439/110-122; 248/317, 68.1

[56] **References Cited**

U.S. PATENT DOCUMENTS

5,584,576 12/1996 Hong 362/404 X

FOREIGN PATENT DOCUMENTS

2625846 7/1989 France D26/64

OTHER PUBLICATIONS

Lucifer Lighting co. Helix® low voltage lighting track ad, Jul. 1992.

Primary Examiner—Susan J. Lucas
Attorney, Agent, or Firm—Browdy and Neimark

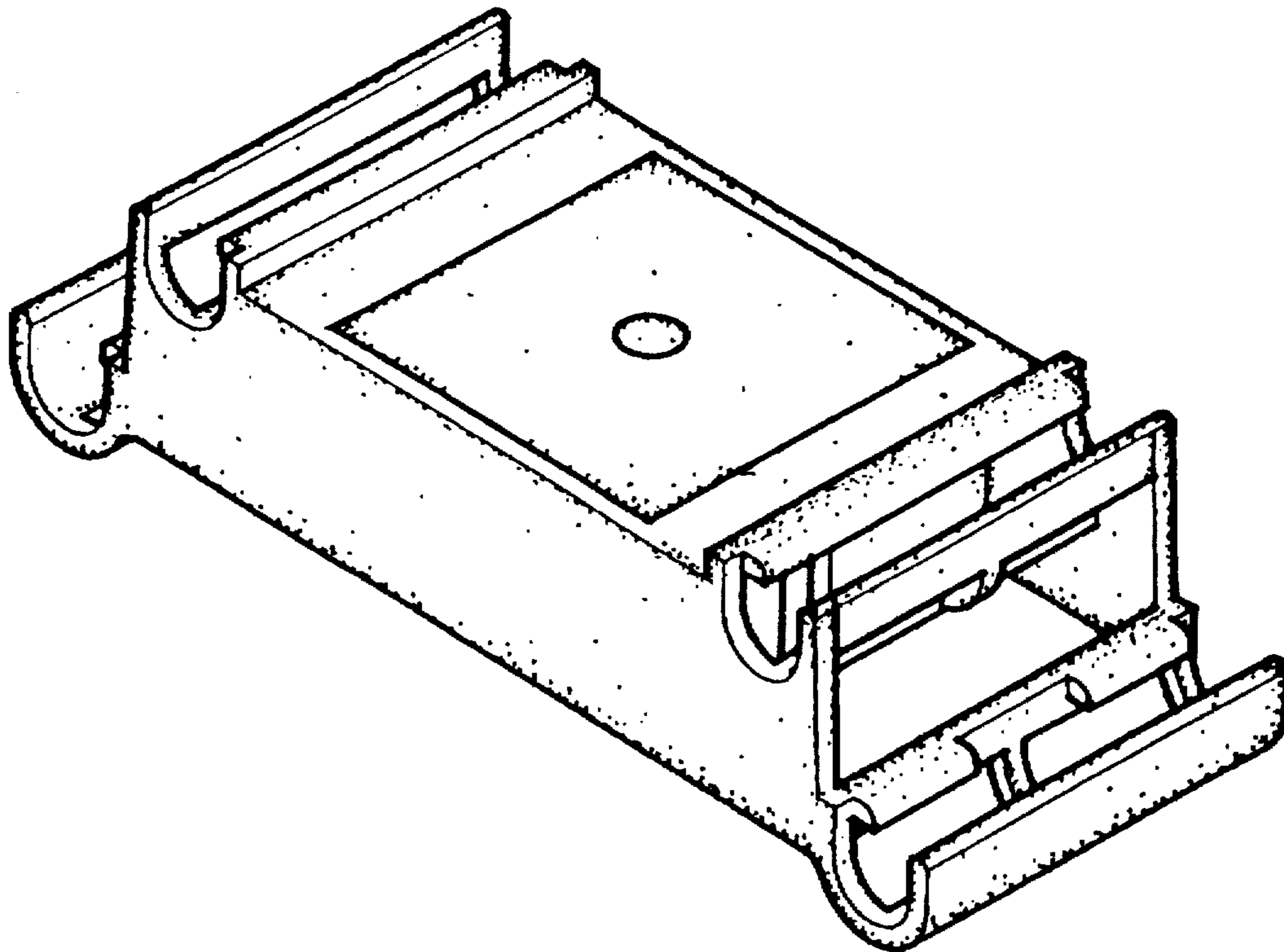
[57] **CLAIM**

The ornamental design for supporting bracket for track lighting system, as shown and described.

DESCRIPTION

FIG. 1 is the perspective view of a supporting bracket for track lighting system showing my new design; FIG. 2 is the front elevational view thereof; FIG. 3 is the rear elevational view thereof; FIG. 4 is the left side elevational view thereof; FIG. 5 is the right side elevational view thereof; FIG. 6 is the top plan view thereof; and, FIG. 7 is the bottom plan view thereof.

1 Claim, 4 Drawing Sheets



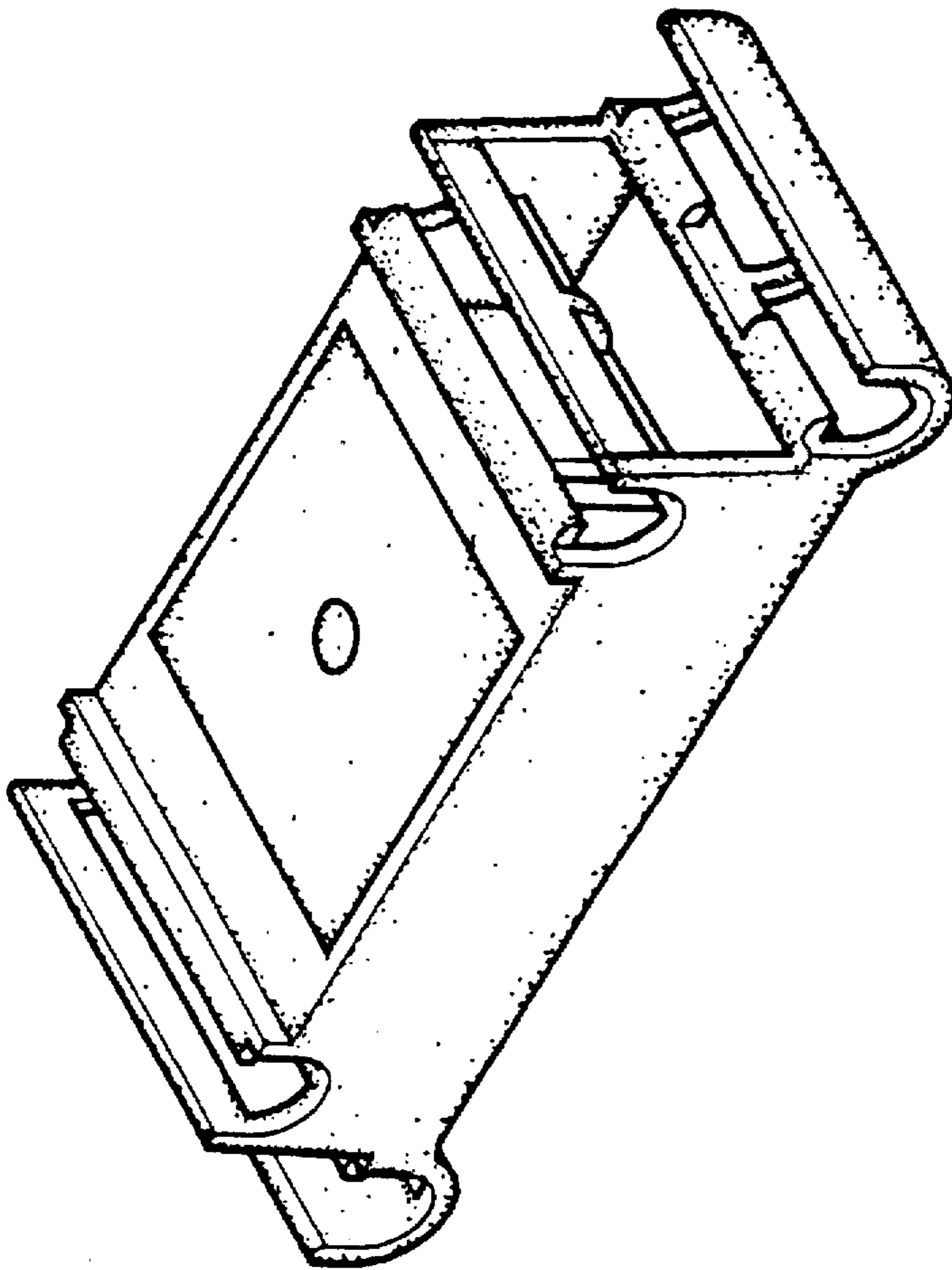


FIG. 1

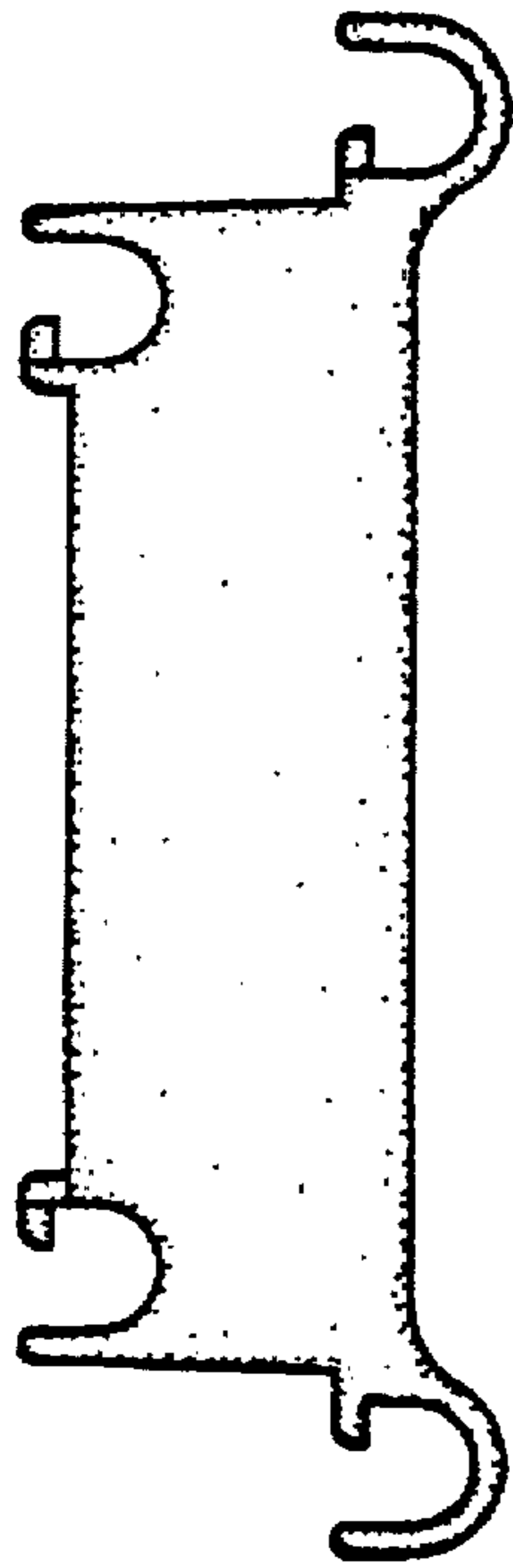


FIG. 2

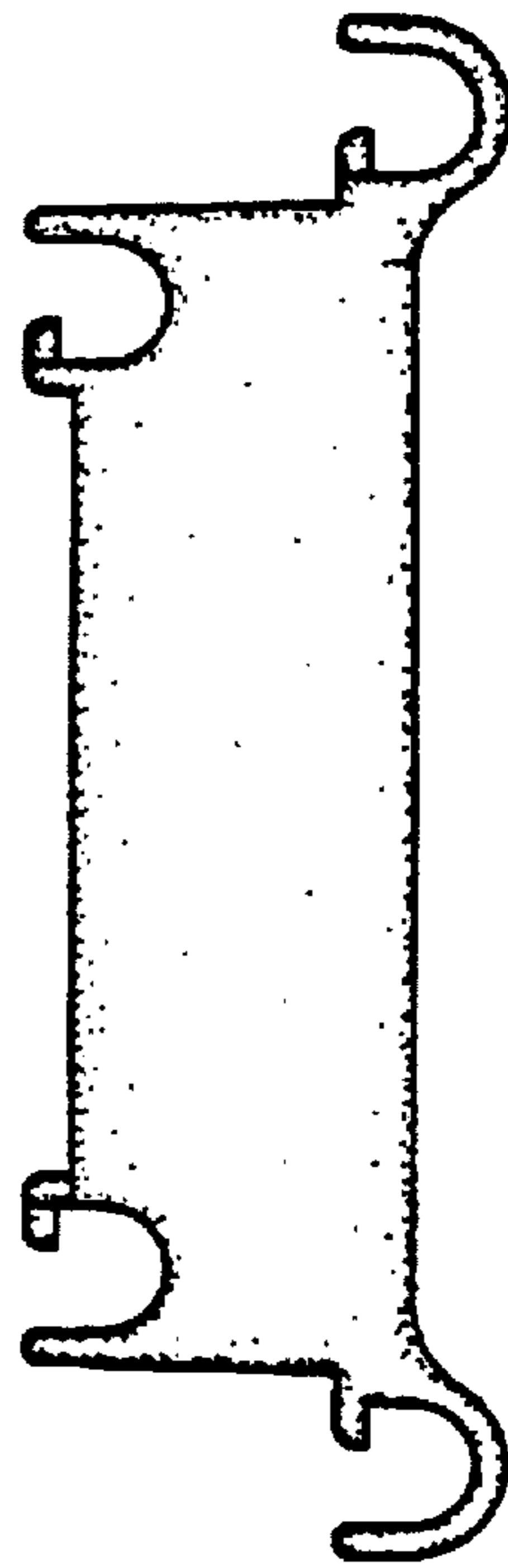


FIG. 3

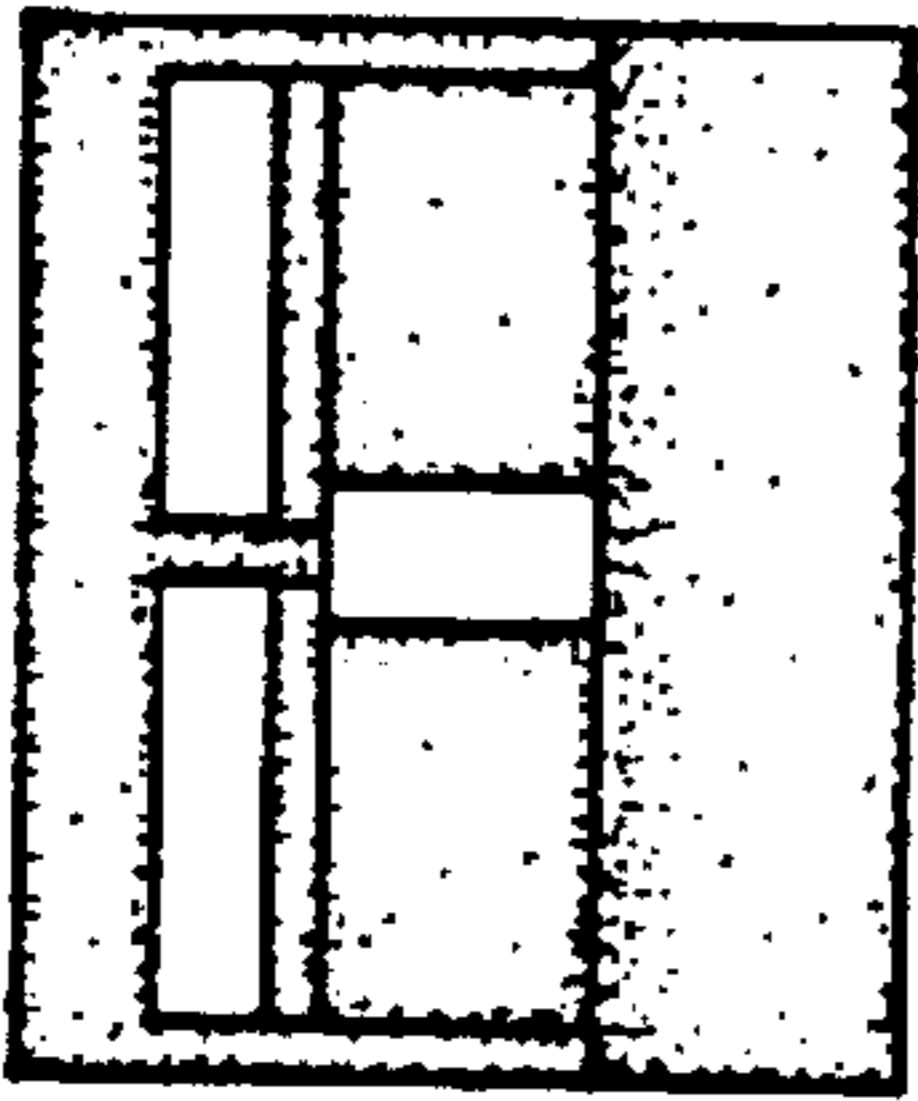


FIG. 4

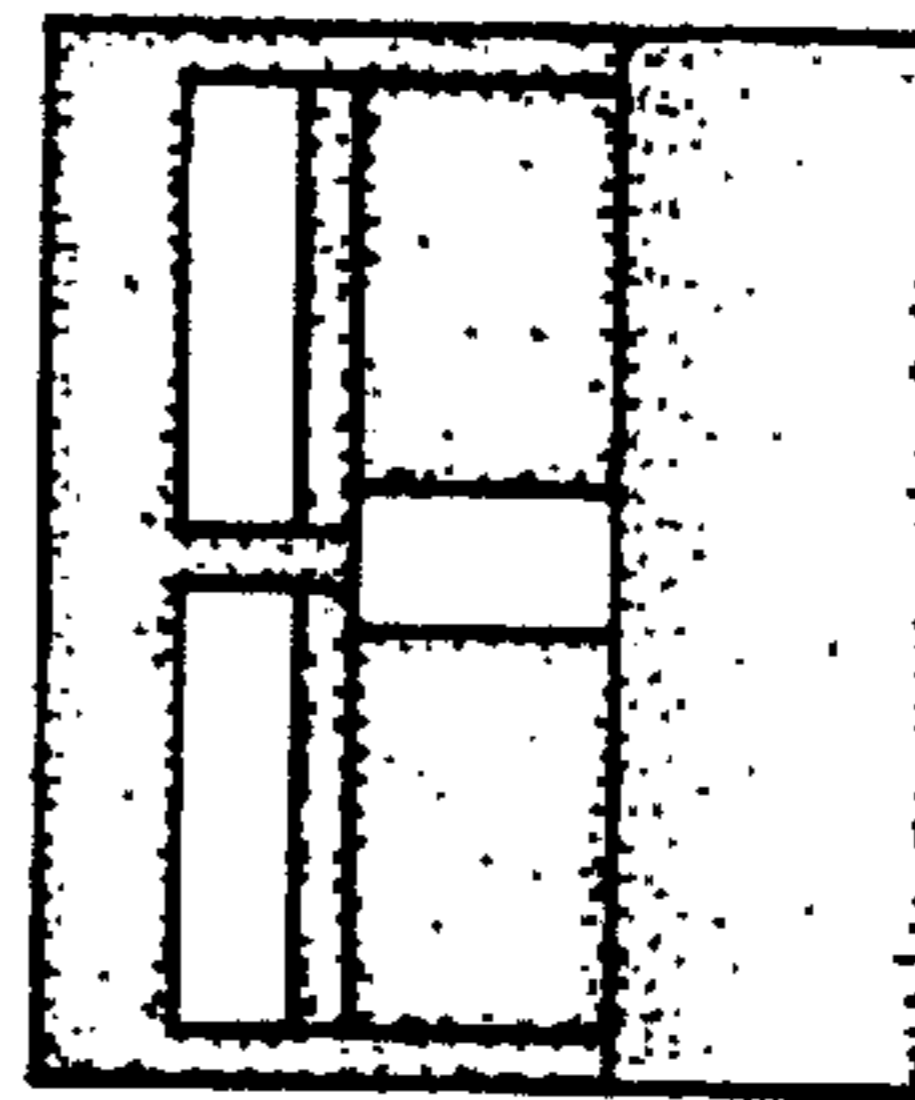


FIG. 5

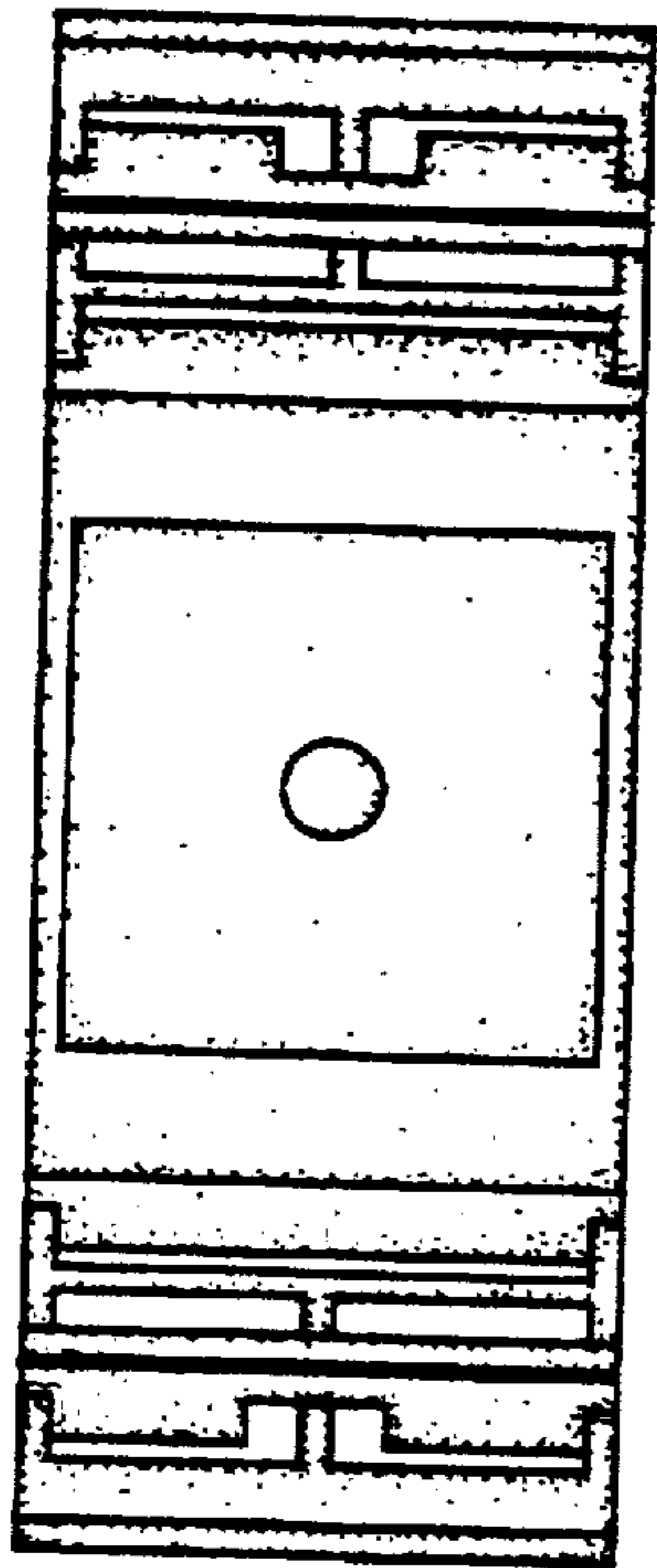


FIG. 6

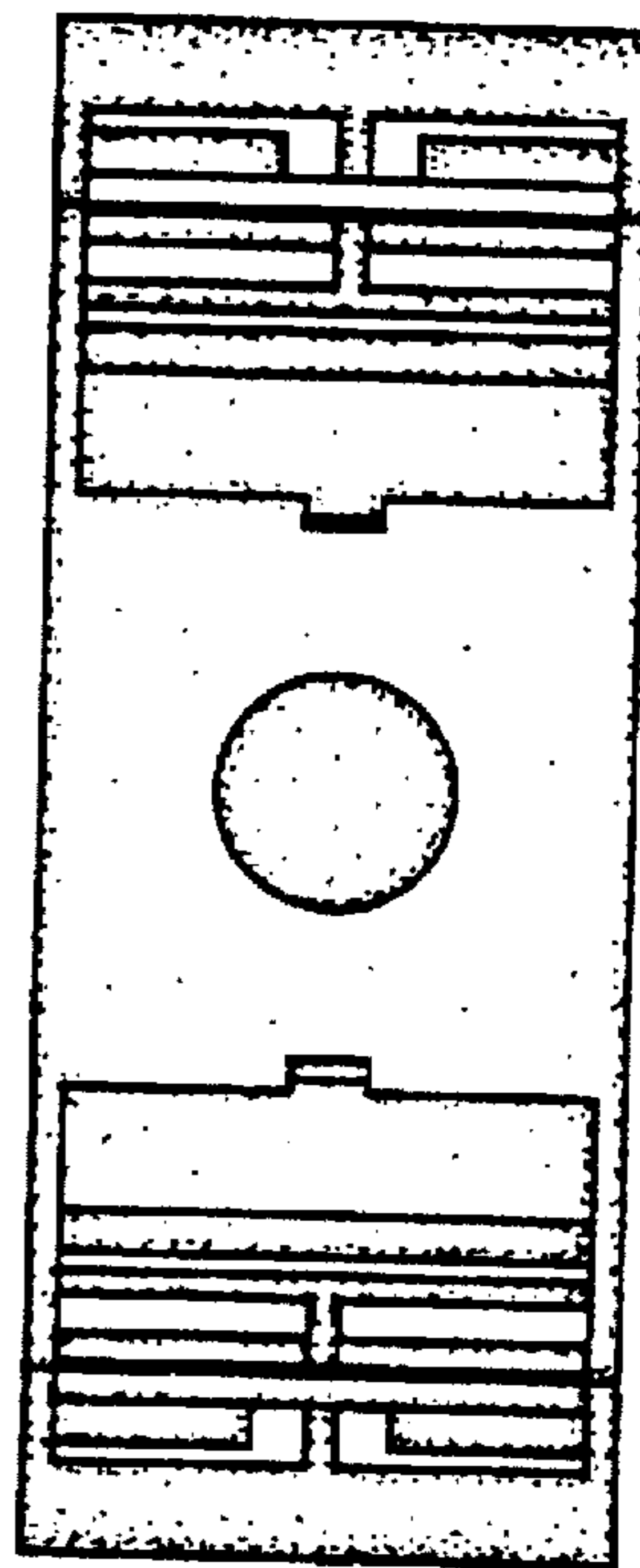


FIG. 7