



US00D391006S

United States Patent [19]
Yang

[11] **Patent Number:** **Des. 391,006**
[45] **Date of Patent:** ****Feb. 17, 1998**

[54] **DOME SHAPED LAMP SHADE**
[75] **Inventor:** **Roger Yang, Taipei Hsien, Taiwan**
[73] **Assignee:** **Be-Yang Industrial Corp., Taipei, Taiwan**
[**] **Term:** **14 Years**

[21] **Appl. No.:** **63,369**
[22] **Filed:** **Dec. 6, 1996**

[51] **LOC (6) Cl.** **26-05**
[52] **U.S. Cl.** **D26/118; D26/135**
[58] **Field of Search** **D26/60-66, 118, D26/128-137; 362/267, 277, 275, 285, 418, 419, 427, 410-414, 341, 345, 347, 348, 350, 351, 355**

[56] **References Cited**

U.S. PATENT DOCUMENTS

D. 302,735 8/1989 De Lucchi D26/65
D. 318,340 7/1991 Huang D26/65

D. 326,535 5/1992 Hsia D26/65

OTHER PUBLICATIONS

Home Lighting and Accessories, p. 72, Union Square Wall-Swinger lamp shade, Feb. 1995.

Primary Examiner—Susan J. Lucas
Attorney, Agent, or Firm—Lowe, Price, LeBlanc & Becker

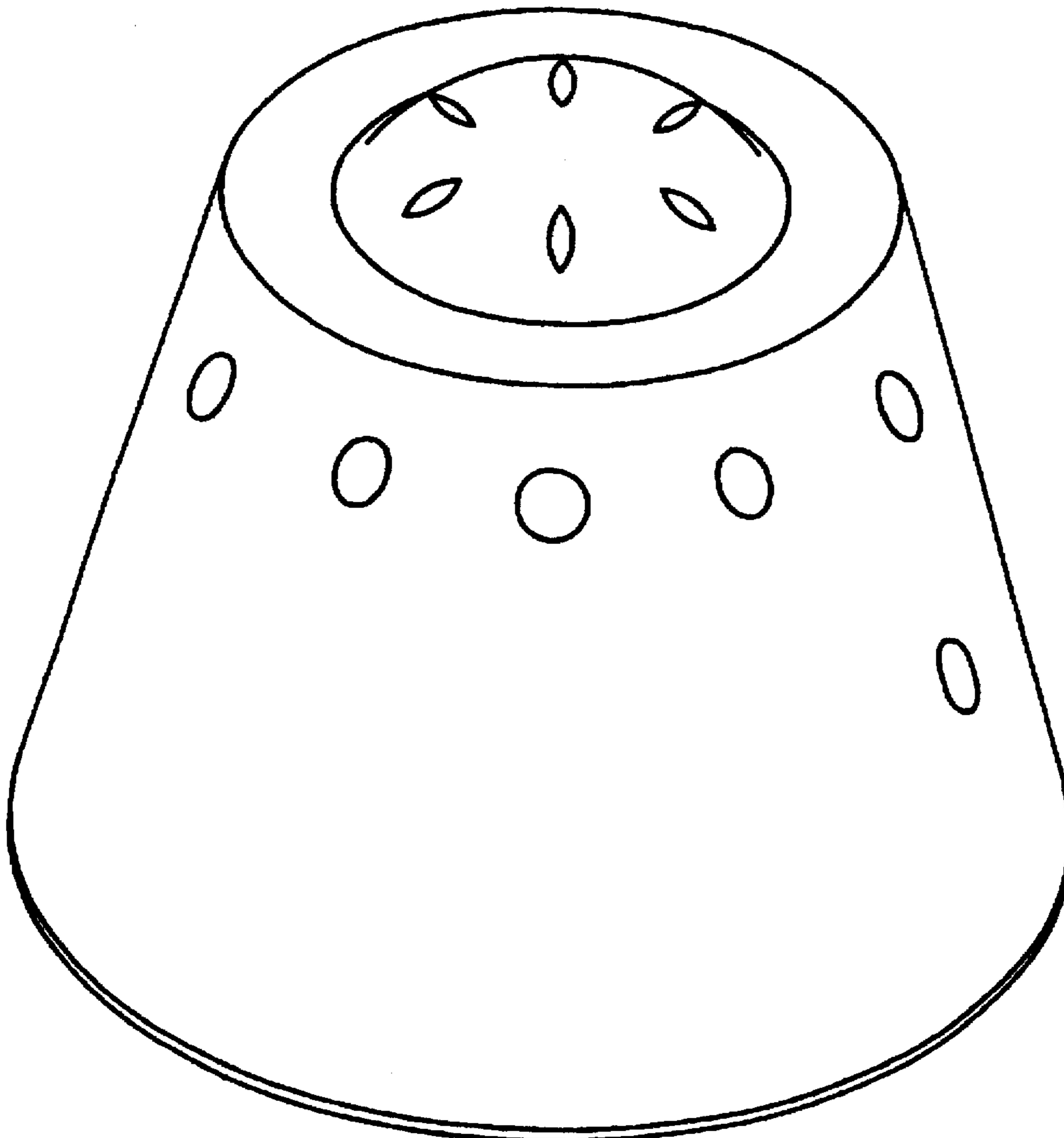
[57] **CLAIM**

The ornamental design for a dome shaped lamp shade, as shown and described.

DESCRIPTION

FIG. 1 is a perspective view thereof;
FIG. 2 is a front view thereof;
FIG. 3 is a rear view thereof;
FIG. 4 is a left side view thereof;
FIG. 5 is a right side view thereof;
FIG. 6 is a top view thereof; and,
FIG. 7 is a bottom view thereof.

1 Claim, 7 Drawing Sheets



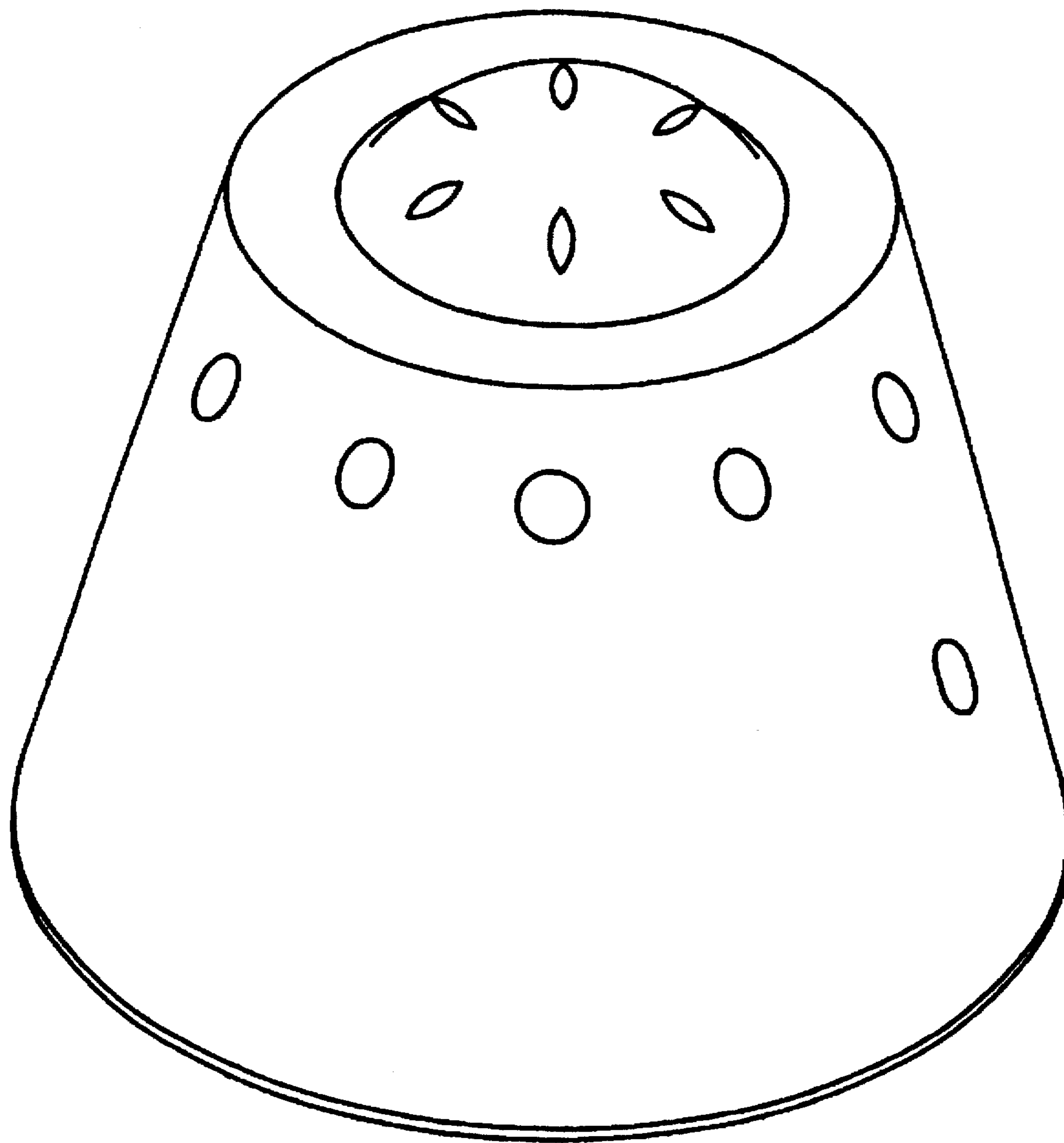


Figure 1

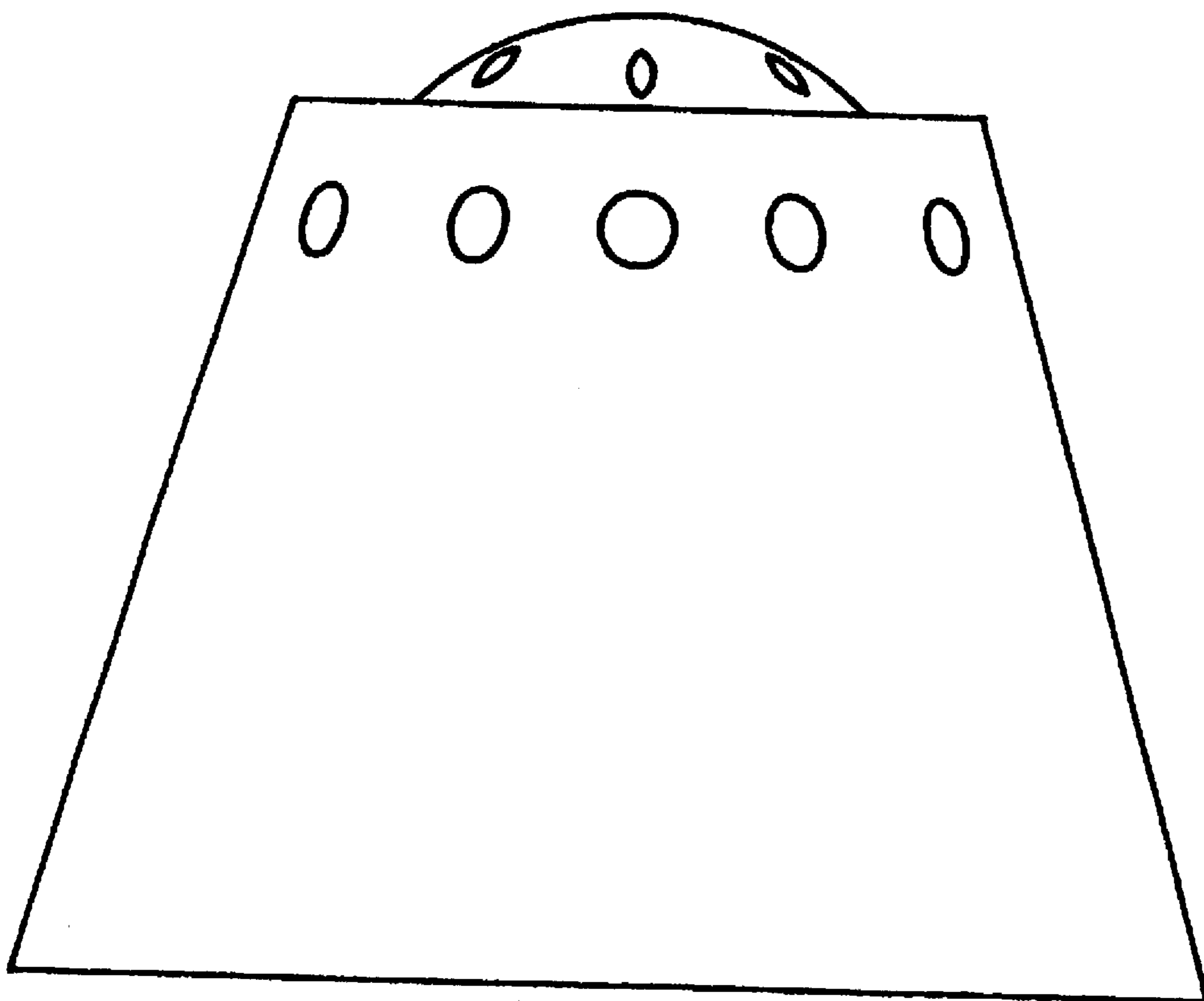


Figure 2

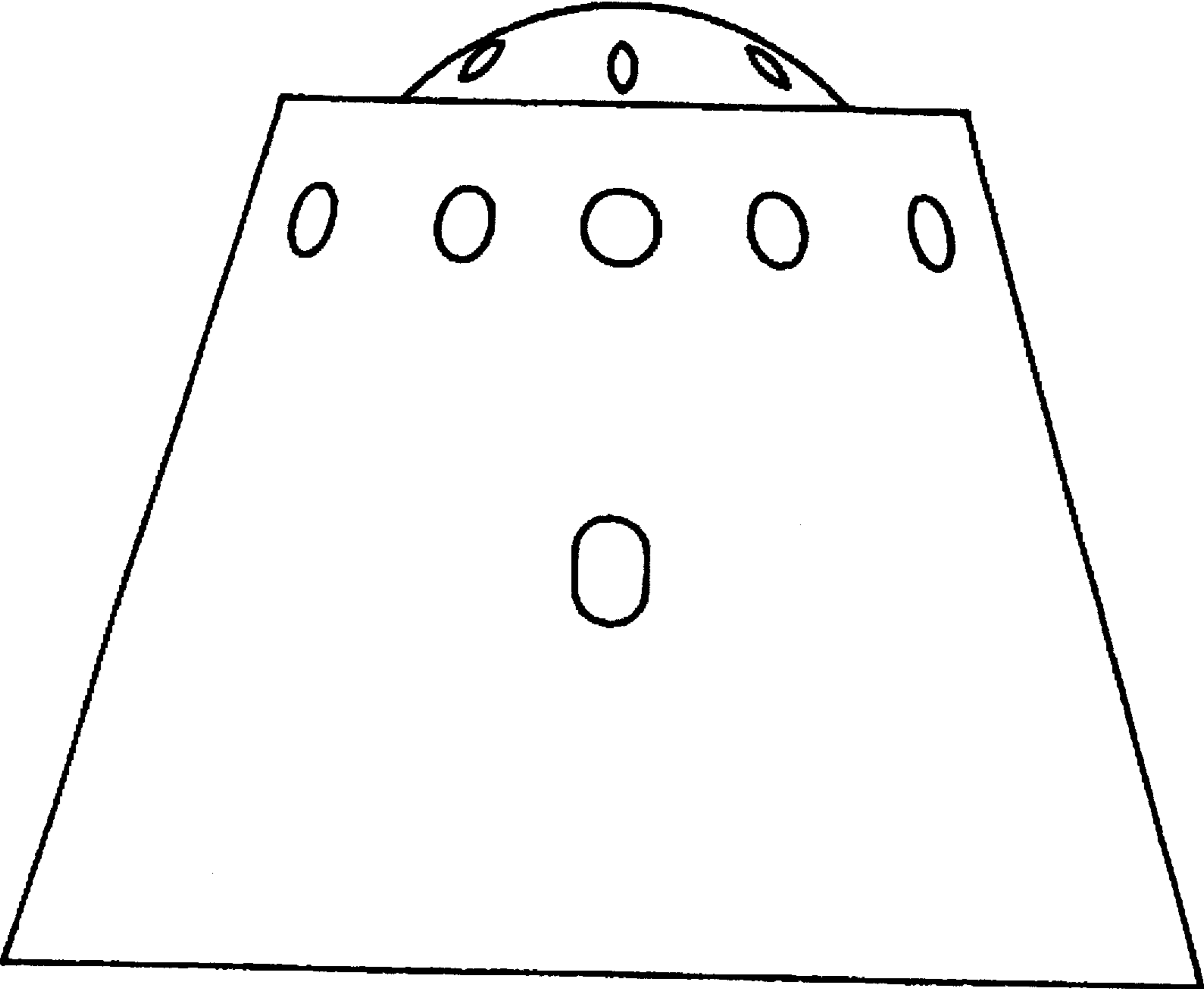


Figure 3

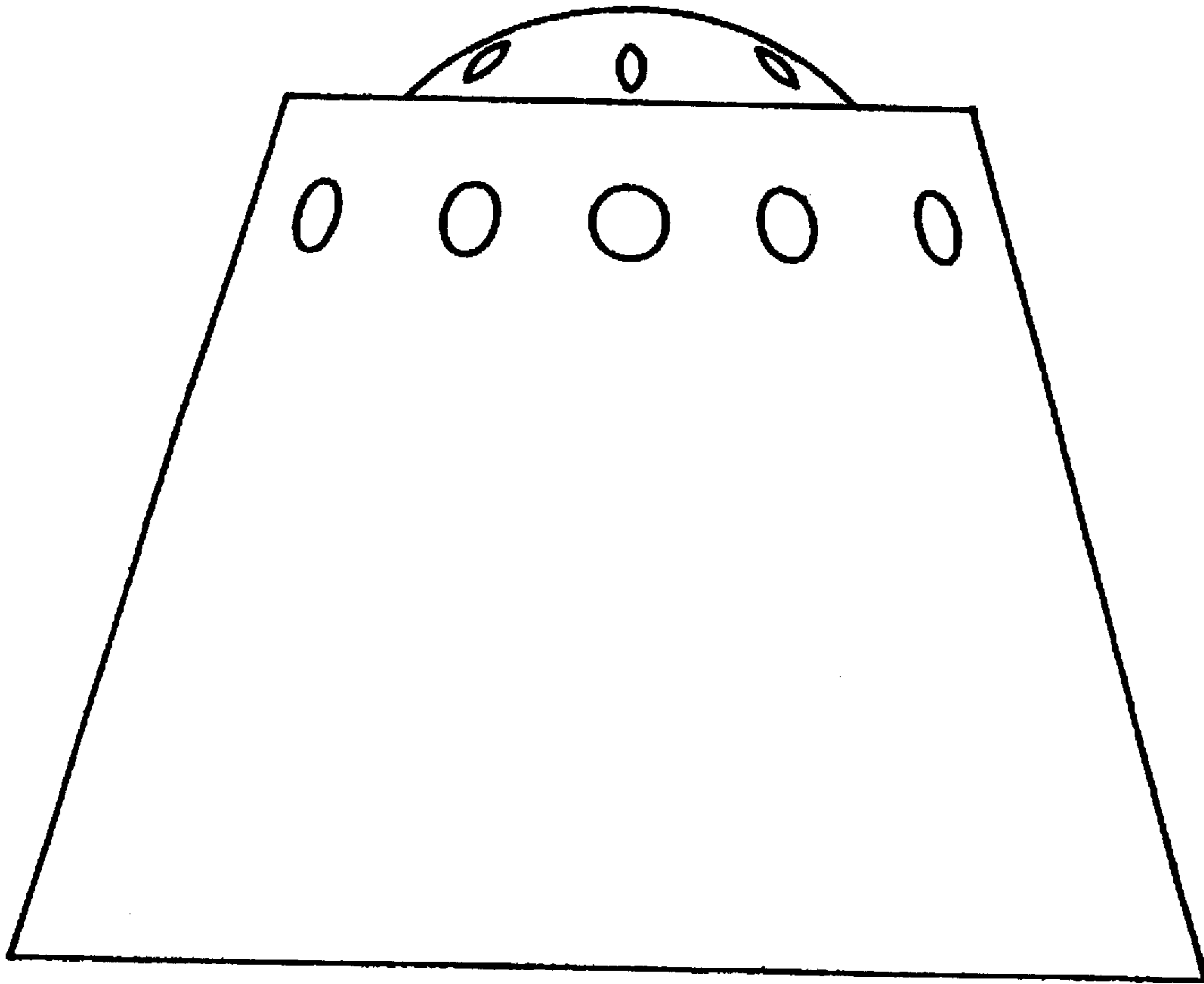


Figure 4

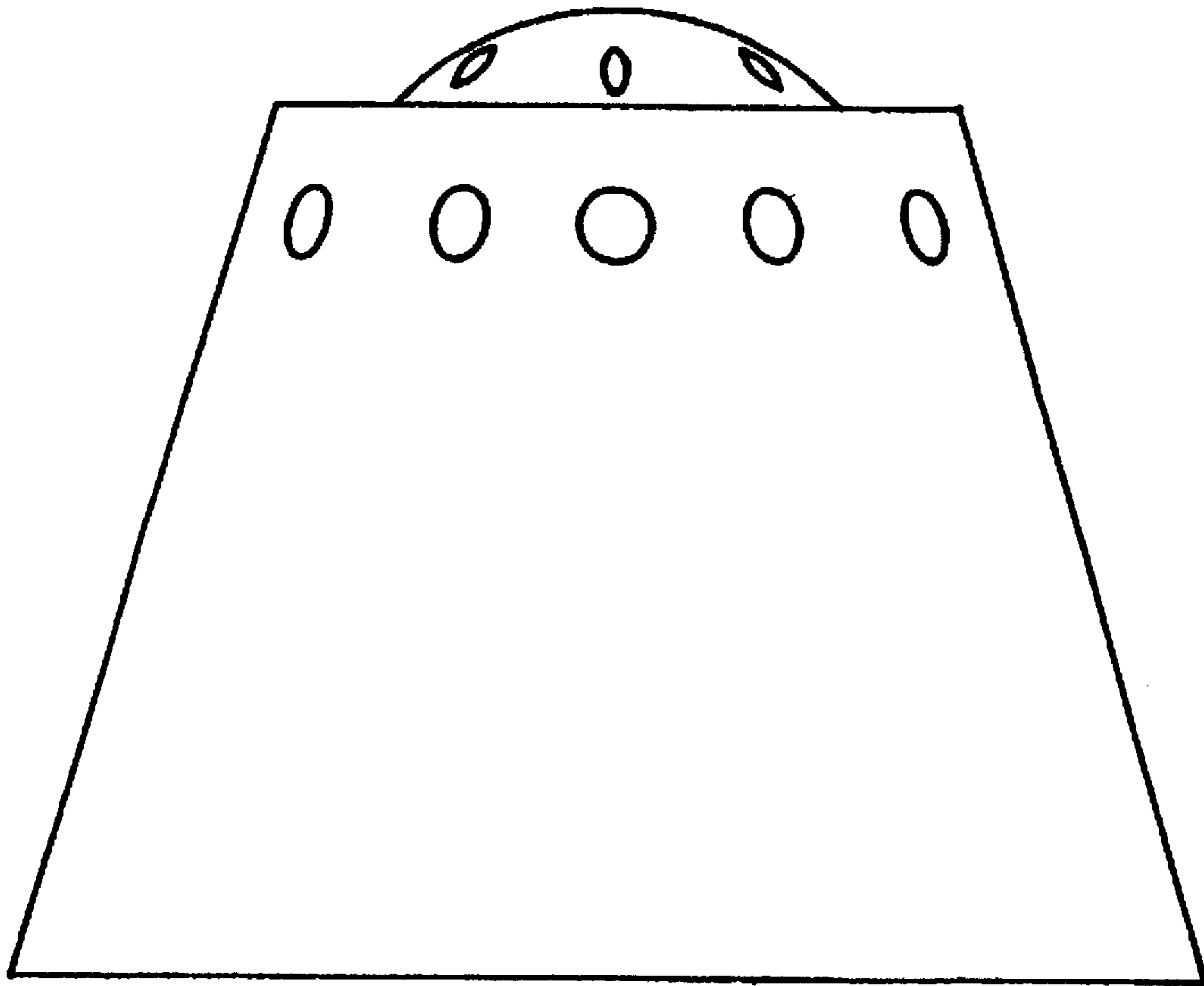


Figure 5

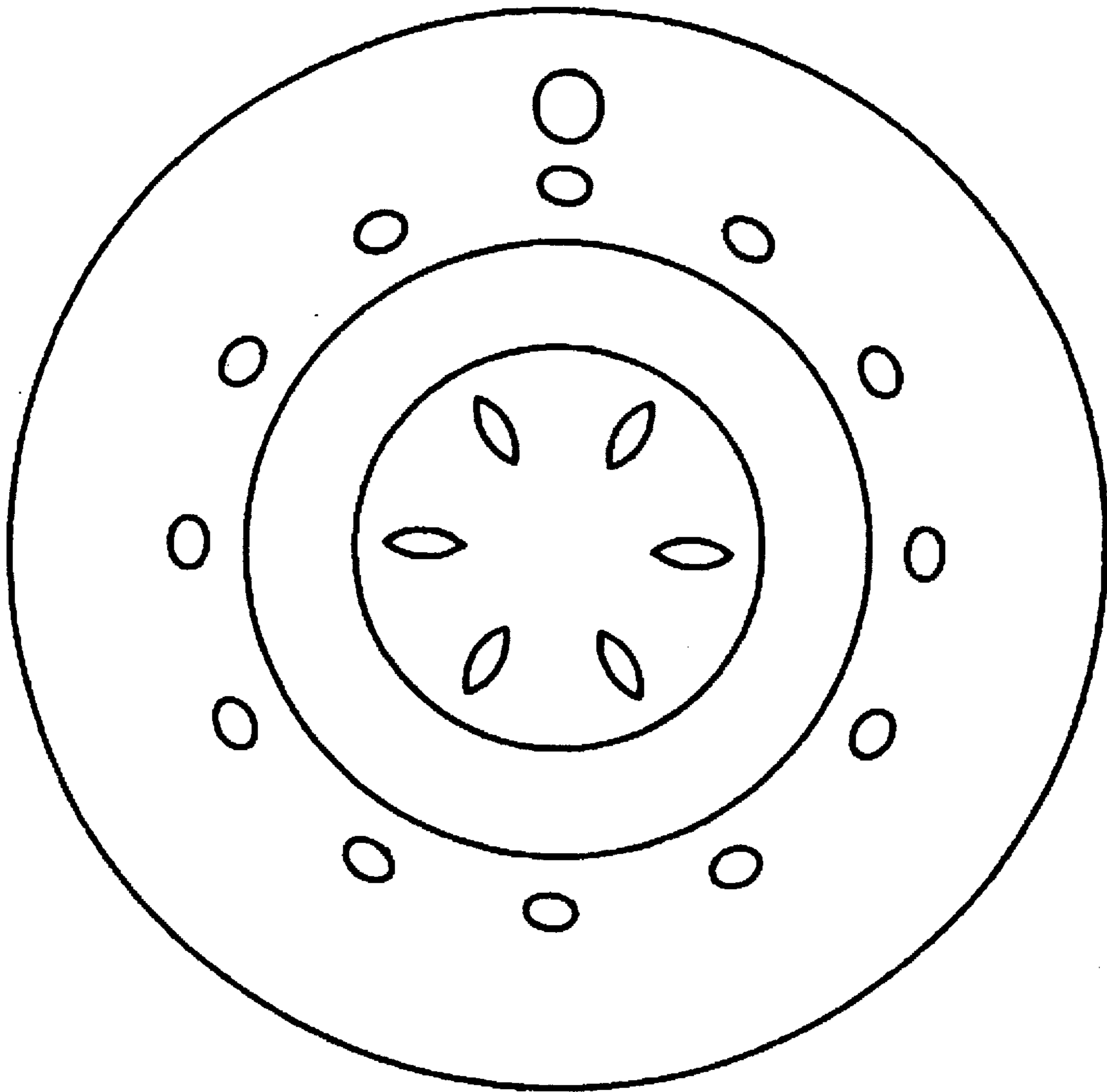


Figure 6

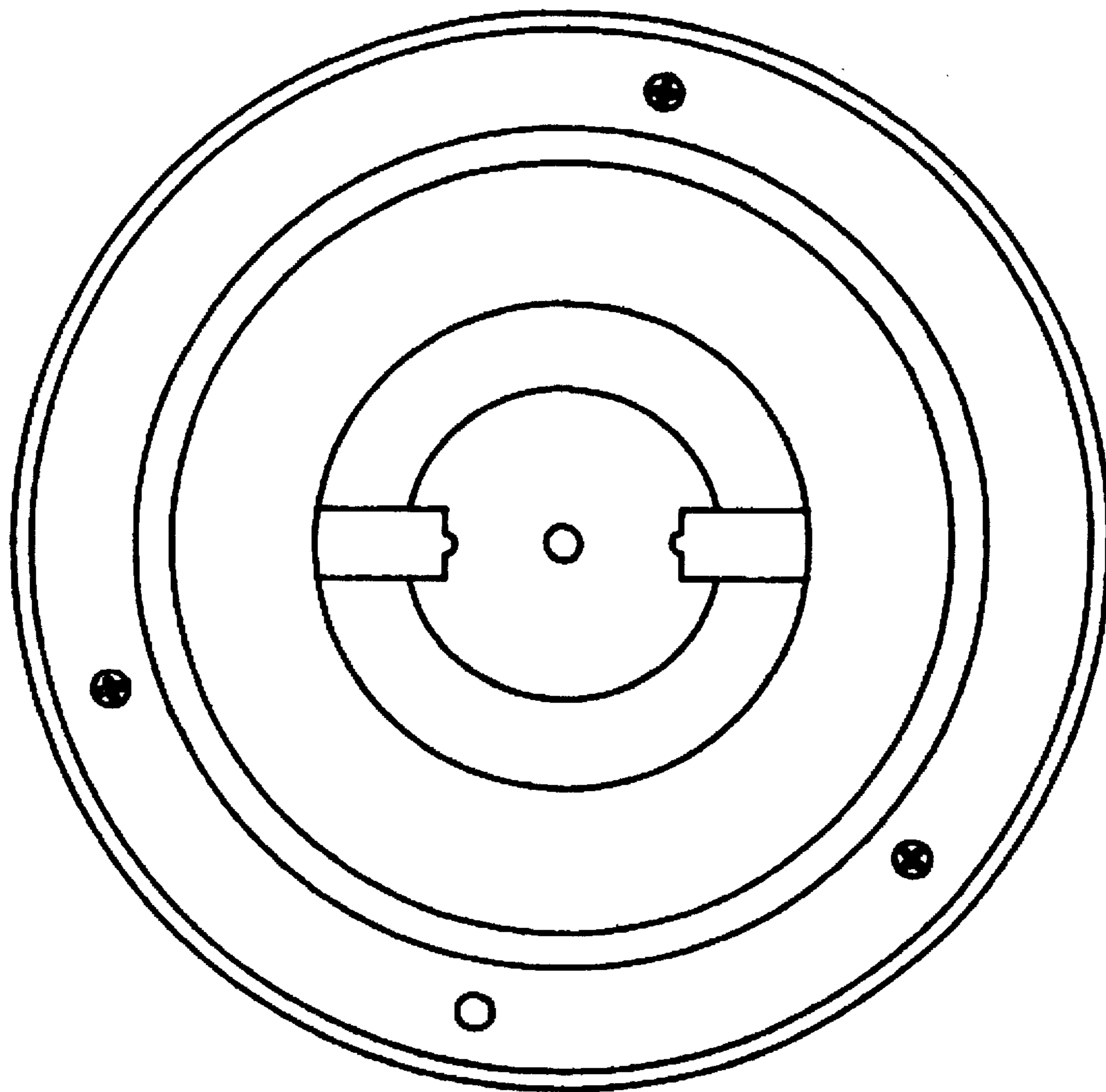


Figure 7