



US00D391005S

**United States Patent** [19]  
**Günthert**

[11] **Patent Number: Des. 391,005**  
[45] **Date of Patent: \*\*Feb. 17, 1998**

[54] **LAMP**

[75] **Inventor: Peter Günthert, Munich, Germany**

[73] **Assignee: M. Lange & Co. GmbH, Munich, Germany**

[\*\*] **Term: 14 Years**

[21] **Appl. No.: 63,232**

[22] **Filed: Dec. 2, 1996**

[30] **Foreign Application Priority Data**

May 30, 1996 [DE] Germany ..... M9604774.7

[51] **LOC (6) Cl. .... 26-05**

[52] **U.S. Cl. .... D26/110**

[58] **Field of Search ..... D26/93, 102-112;  
362/410-414**

[56] **References Cited**

**PUBLICATIONS**

George Kovacs Lighting catalog, p. 8, table lamp #7017, 1987-88.

Home Lighting and Accessories, p. 61, table lamp, top, right corner, Dec. 1993.

Home Lighting and Accessories, p. 56, Lite Source table lamp, Mar. 1993.

Home Lighting and Accessories, p. 38, table lamp, top left, Aug. 1995.

*Primary Examiner*—Susan J. Lucas  
*Attorney, Agent, or Firm*—Learman & McCulloch

[57] **CLAIM**

The ornamental design for a lamp, as shown and described.

**DESCRIPTION**

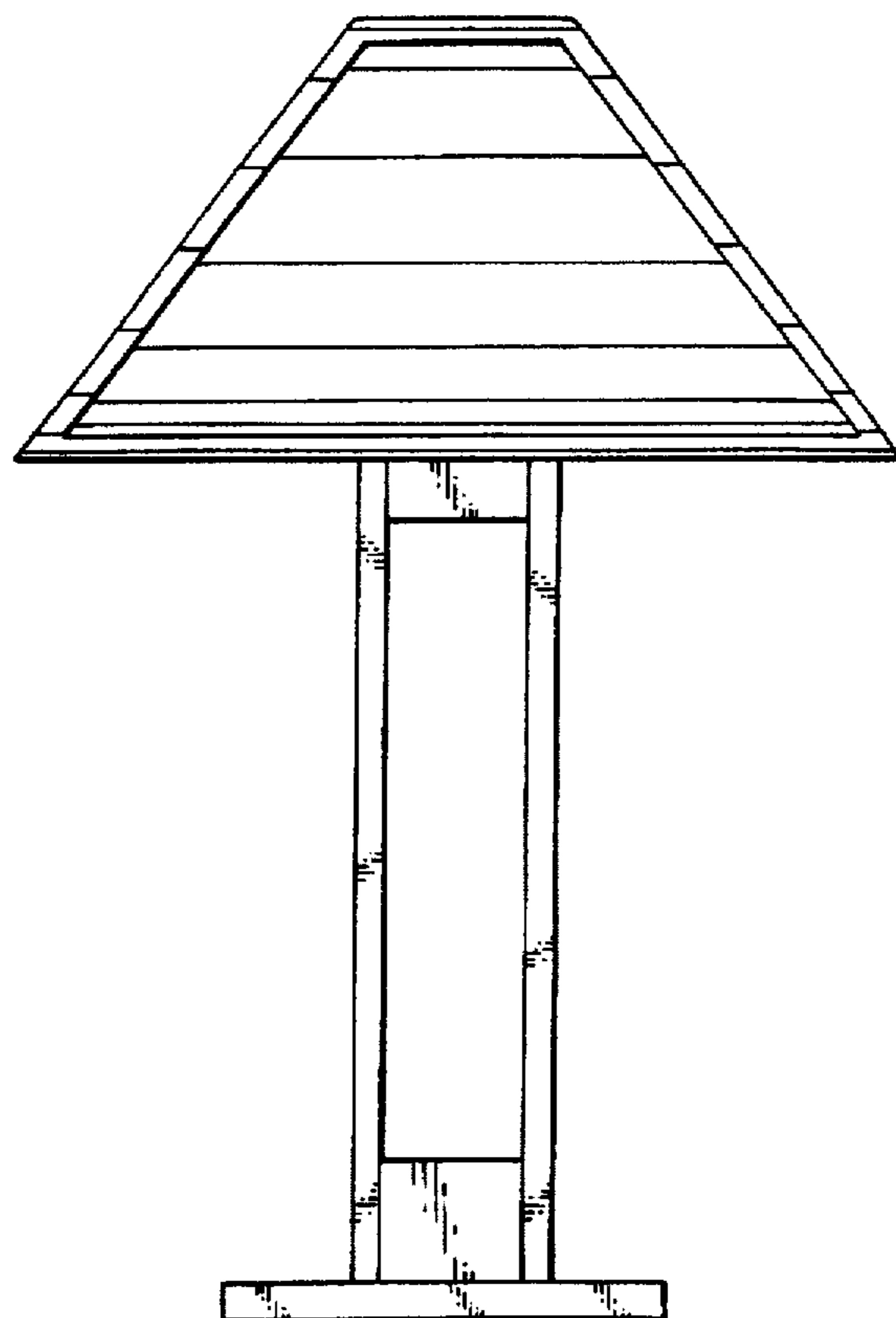
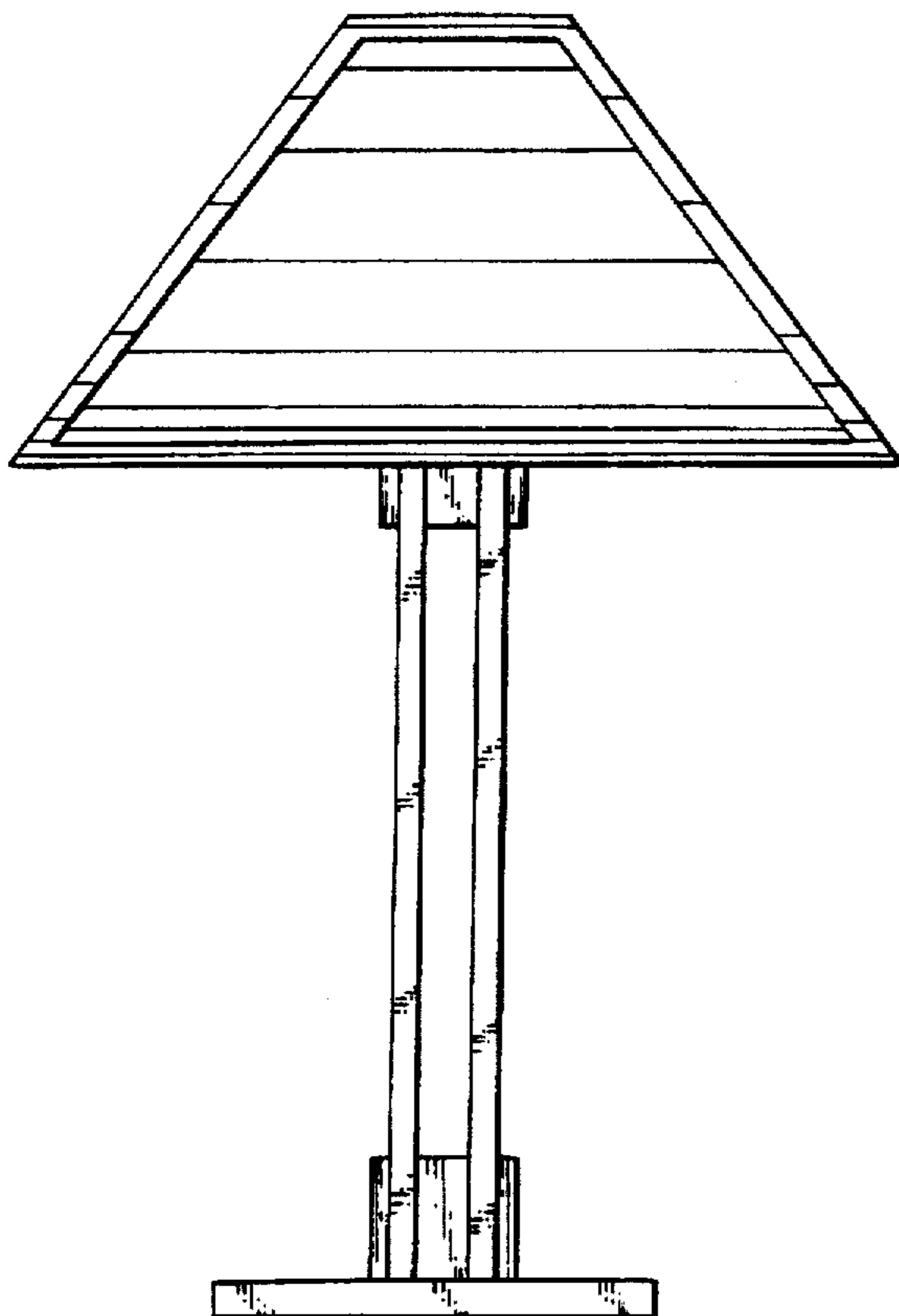
FIG. 1 is a front elevational view of the design, the rear elevation view being the same;

FIG. 2 is an elevational view of one side thereof, the opposite side being the same;

FIG. 3 is a top plan view thereof; and,

FIG. 4 is bottom plan view thereof.

**1 Claim, 1 Drawing Sheet**



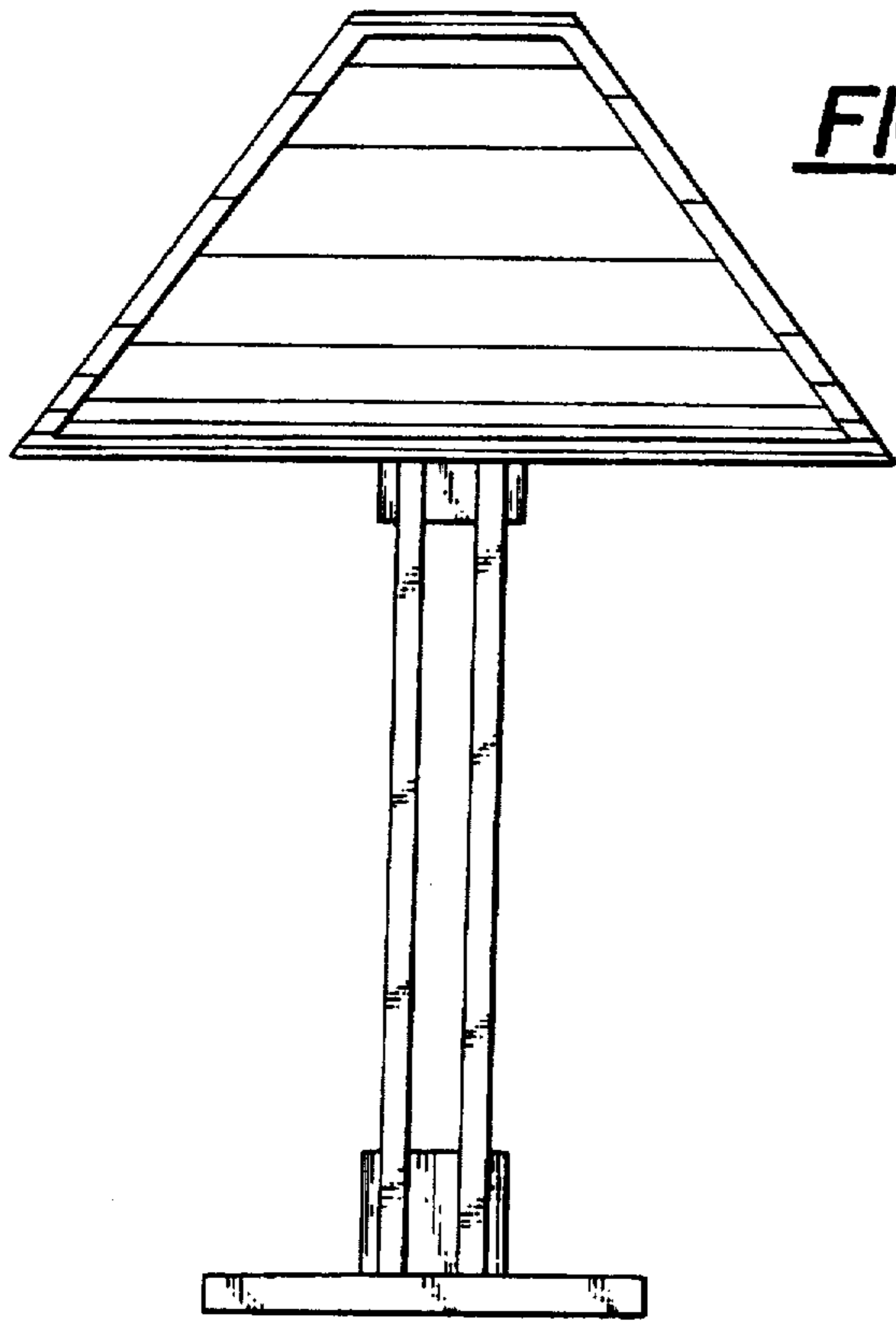


FIG - 1

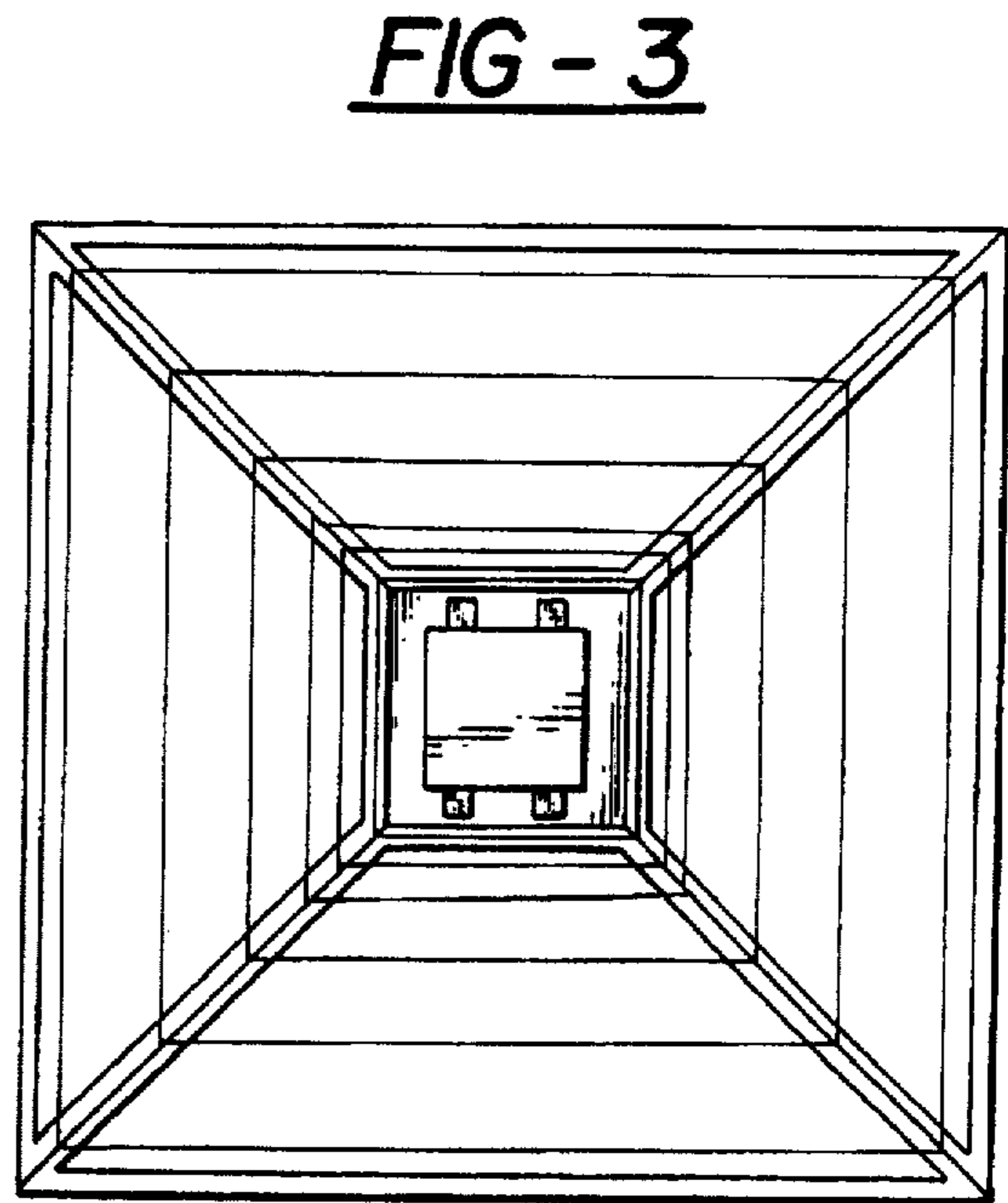


FIG - 3

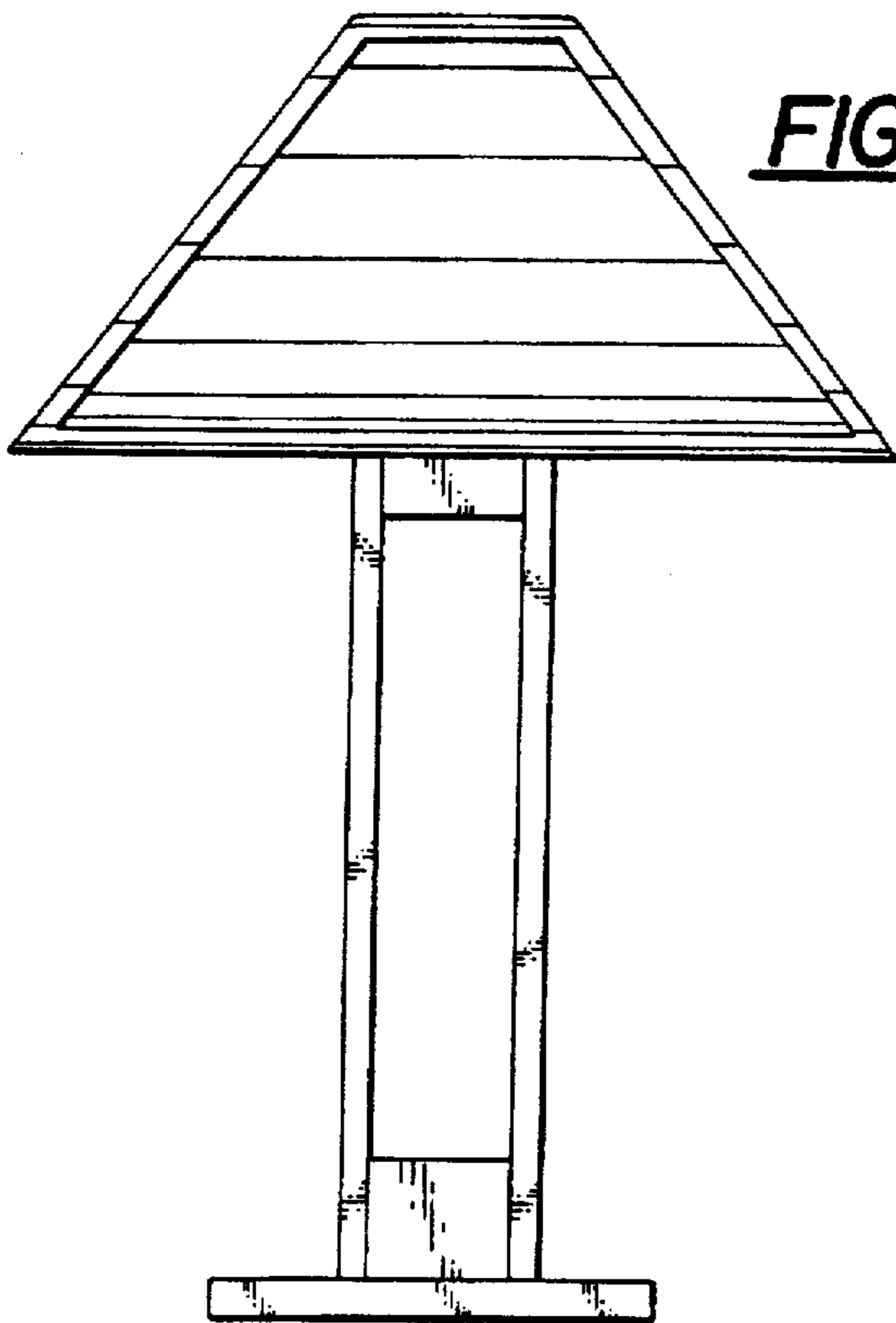


FIG - 2

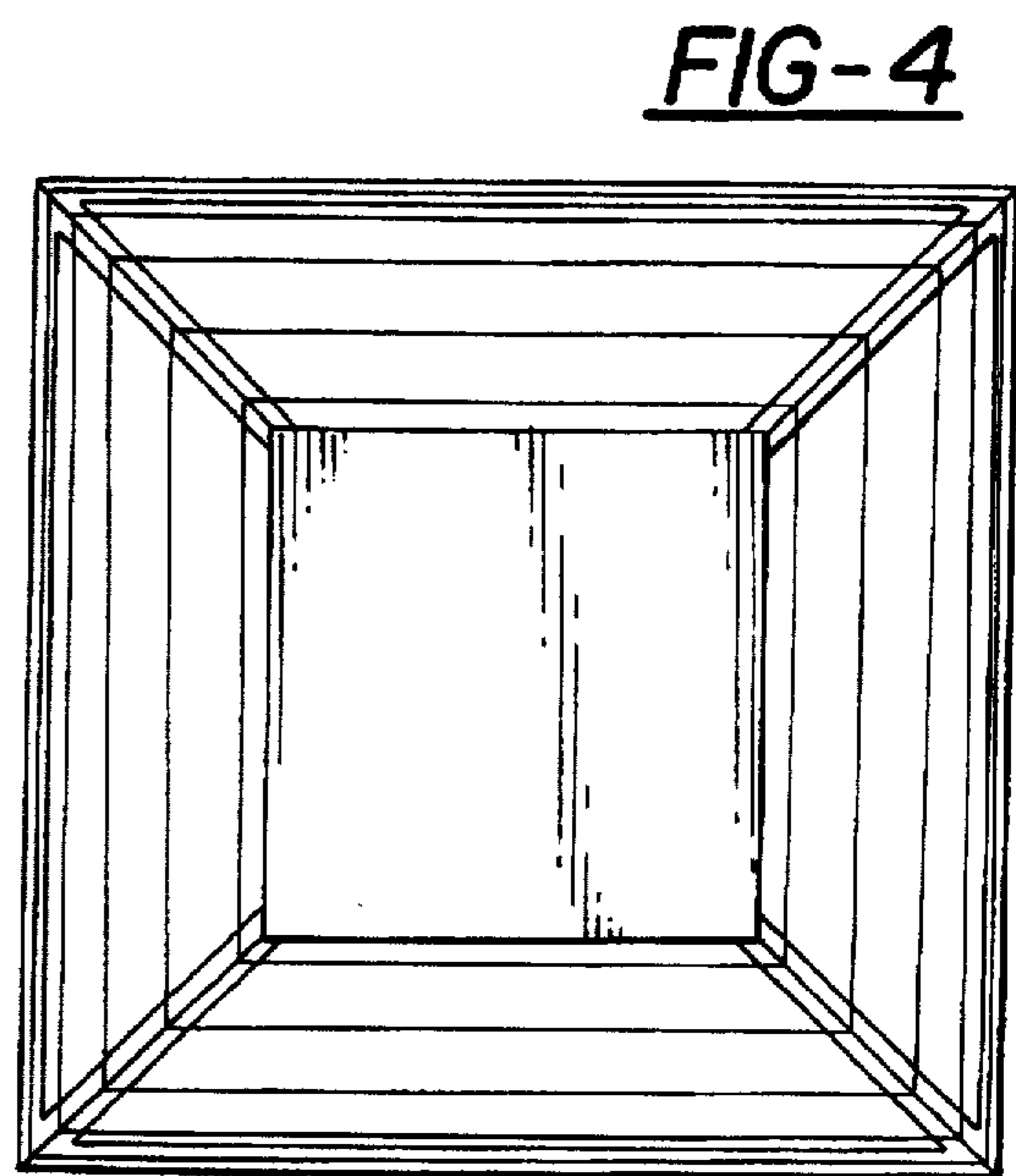


FIG - 4