



US00D391003S

United States Patent [19]

Porter et al.

[11] Patent Number: **Des. 391,003**

[45] Date of Patent: ****Feb. 17, 1998**

[54] LIGHTING FIXTURE

[75] Inventors: **David H. Porter**, Chagrin Falls; **Libbe A. Milicia**, North Royalton, both of Ohio

[73] Assignee: **The L. D. Kichler Co.**, Cleveland, Ohio

[**] Term: **14 Years**

[21] Appl. No.: **52,881**

[22] Filed: **Apr. 10, 1996**

[51] LOC (6) Cl. **26-05**

[52] U.S. Cl. **D26/107**

[58] Field of Search D26/93, 102-112;
362/410-414

[56] References Cited

U.S. PATENT DOCUMENTS

D. 78,343	4/1929	Collins	D26/107	X
D. 373,002	8/1996	Porter	D26/144	X

OTHER PUBLICATIONS

Remington Lighting Catalog, 1987, p. 30, Brass Floor Lamp.

Kichler Lighting catalog dated Jul. 1994, p. S-24, printed in U.S.A.

Primary Examiner—Susan J. Lucas

Attorney, Agent, or Firm—Watts, Hoffmann, Fisher & Heinke, Co., L.P.A.

[57] CLAIM

The ornamental design for a lighting fixture, as shown and described.

DESCRIPTION

FIG. 1 is a perspective view of a lighting fixture showing our new design;

FIG. 2 is a right side elevational view thereof, the left side being a mirror image;

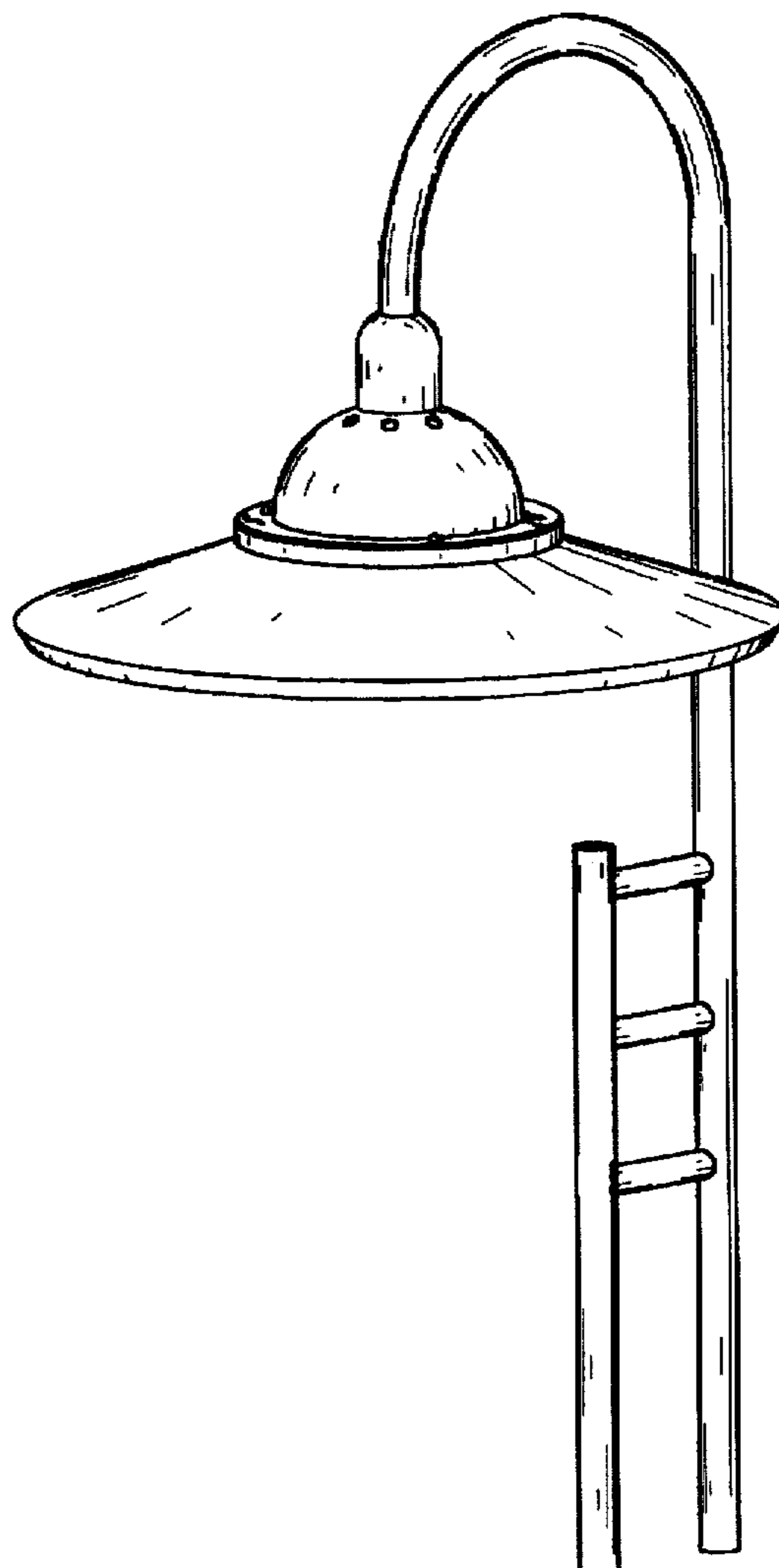
FIG. 3 is a front elevational view thereof;

FIG. 4 is a rear elevational view thereof;

FIG. 5 is a top plan view thereof; and,

FIG. 6 is a bottom plan view thereof.

1 Claim, 2 Drawing Sheets



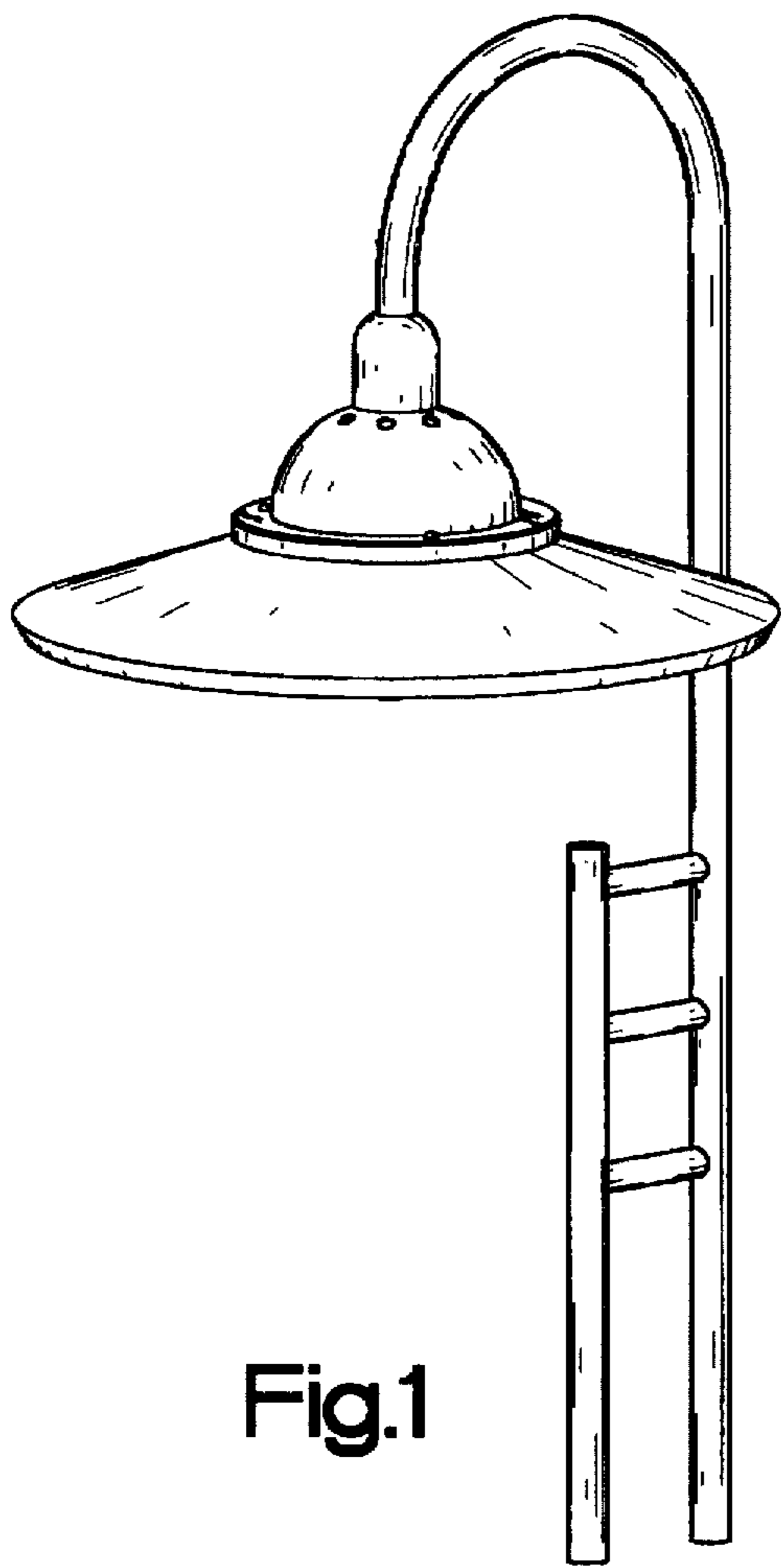


Fig.1

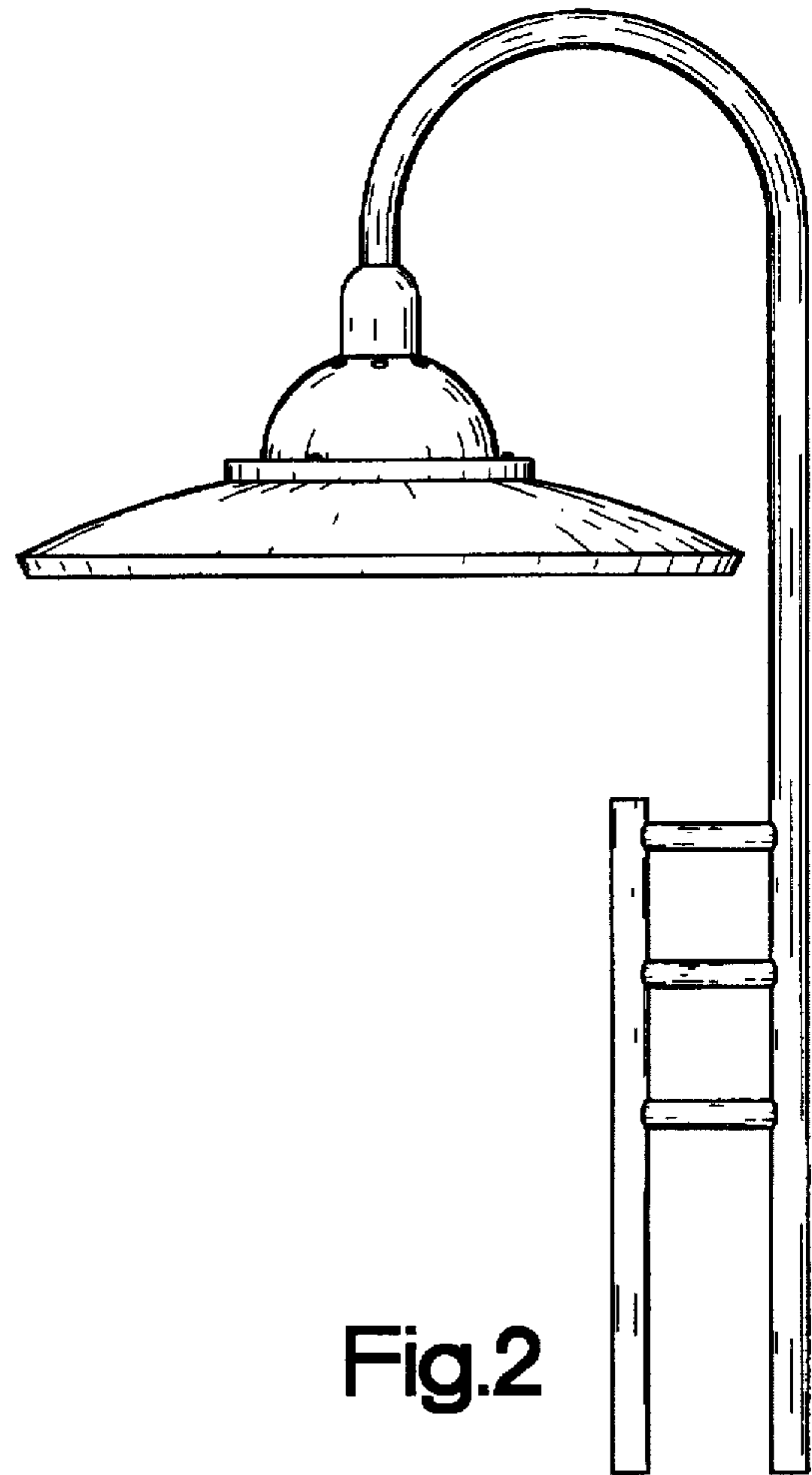


Fig.2

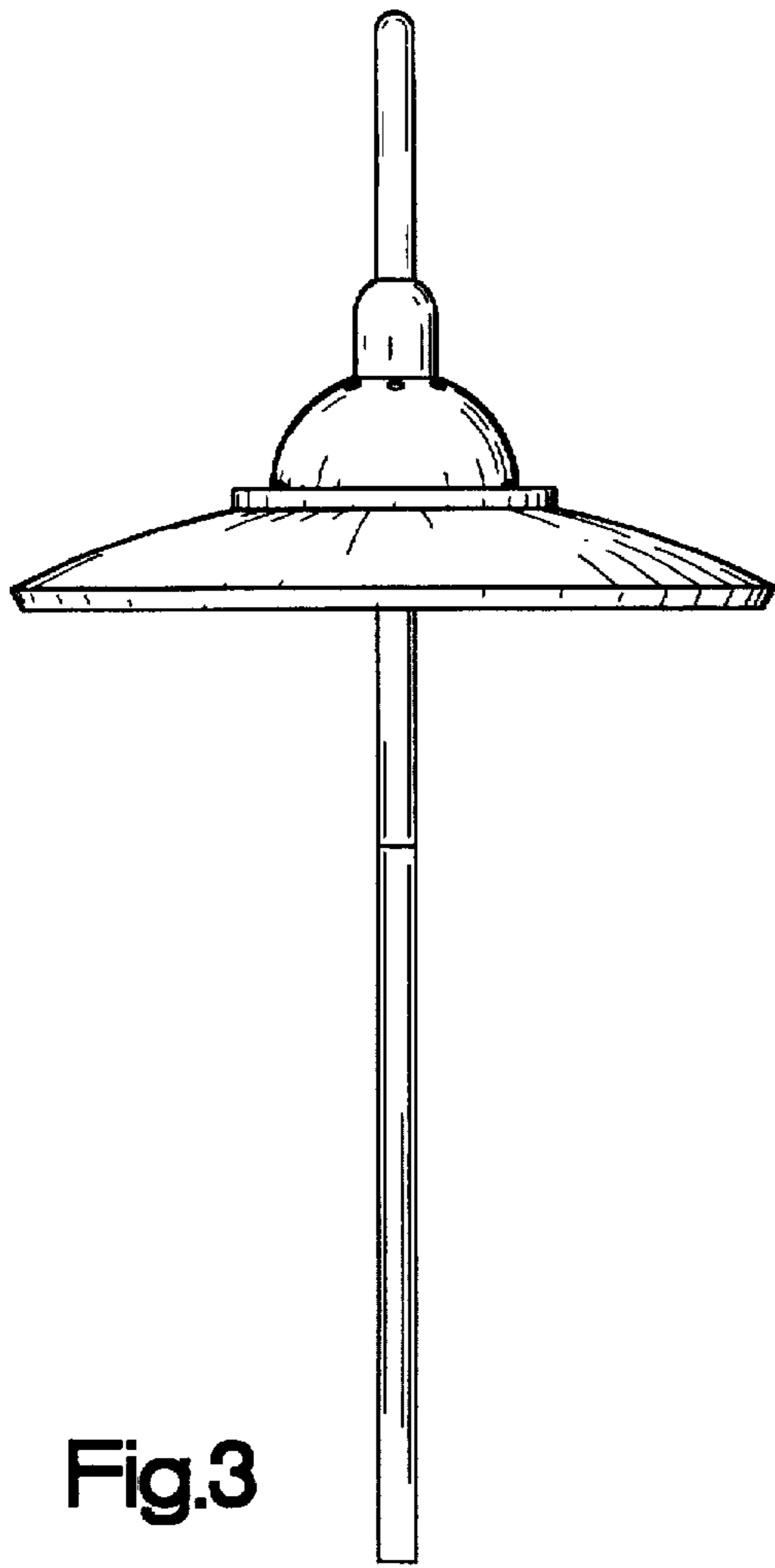


Fig.3

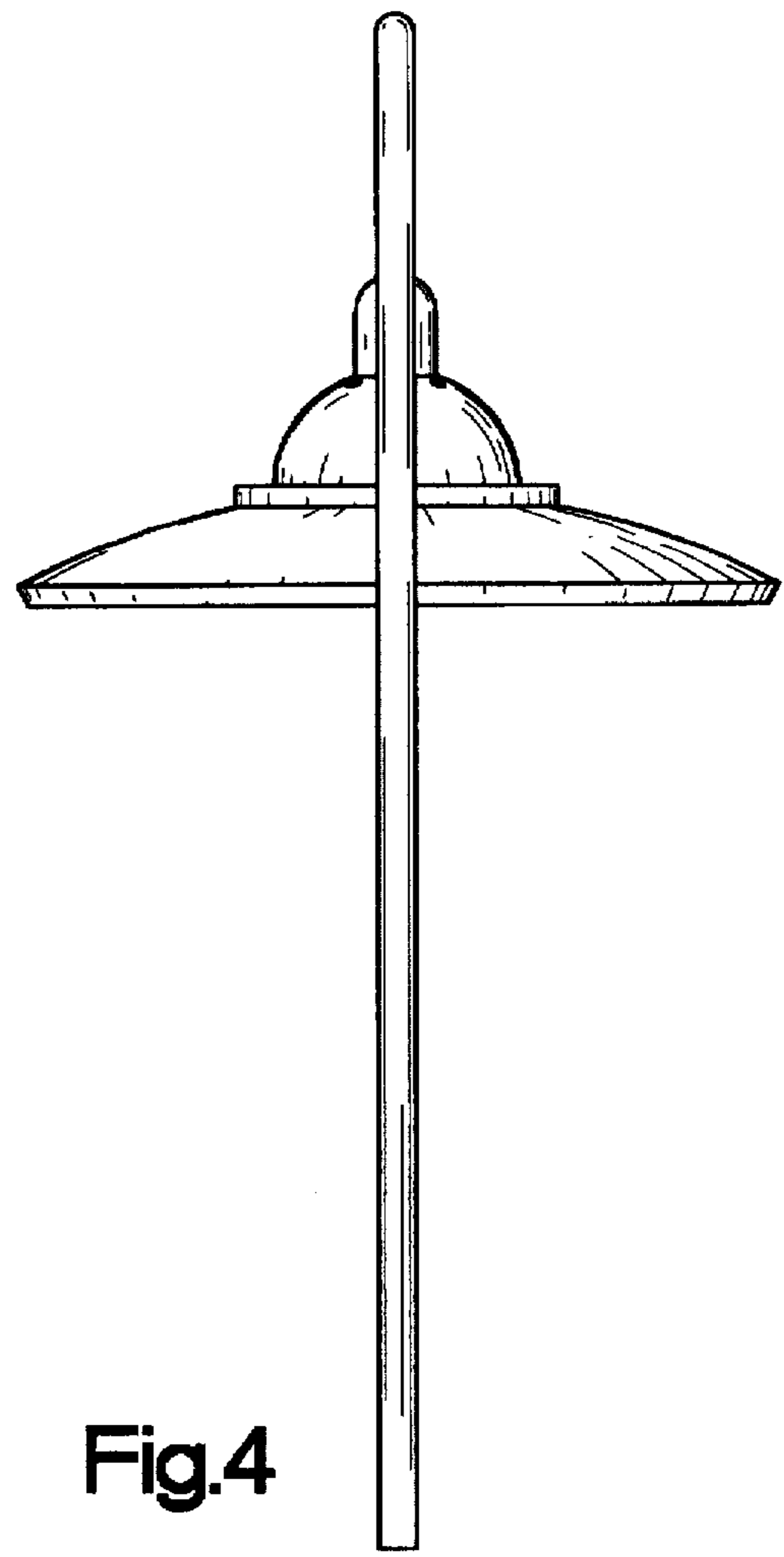


Fig.4

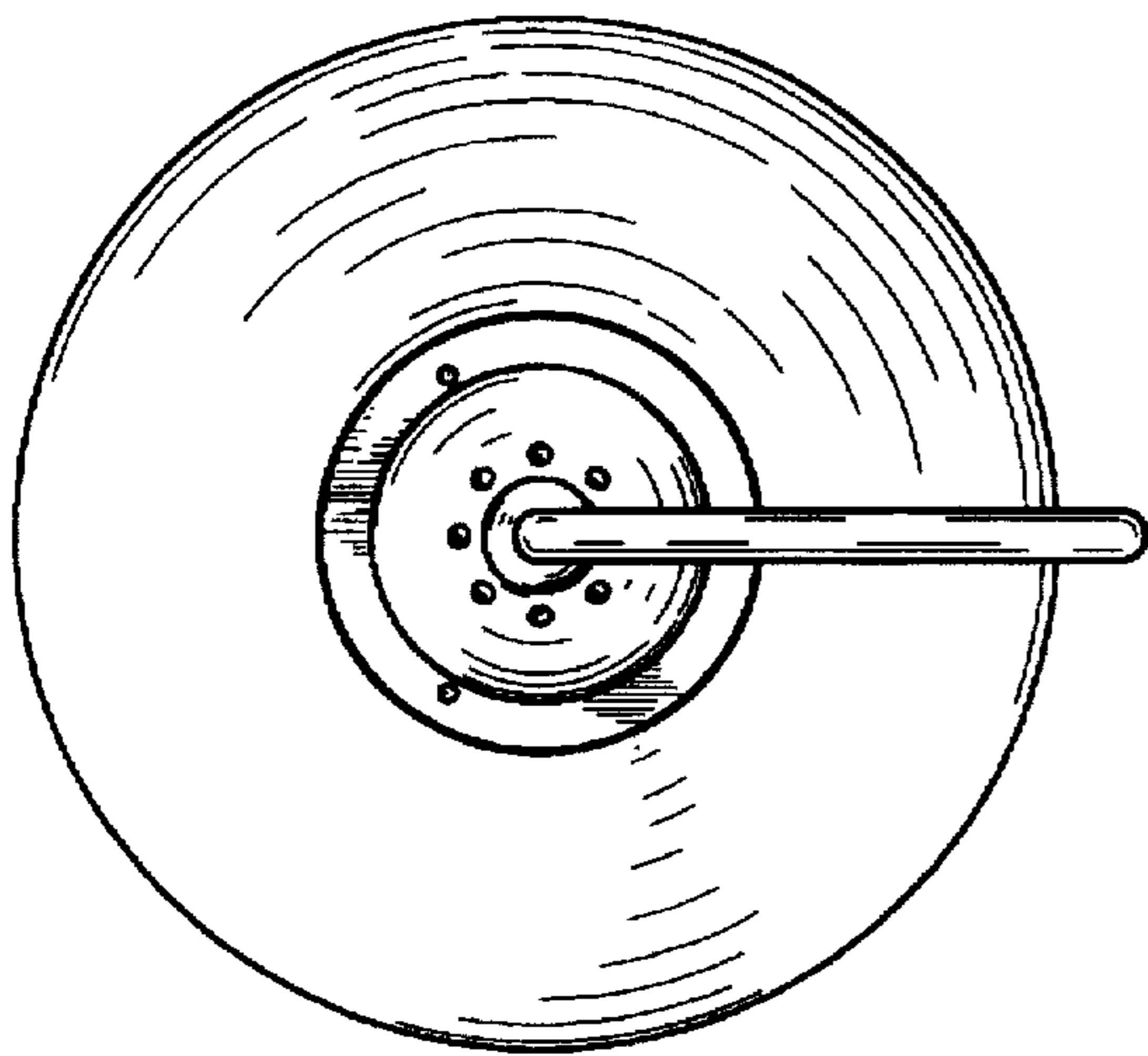


Fig.5

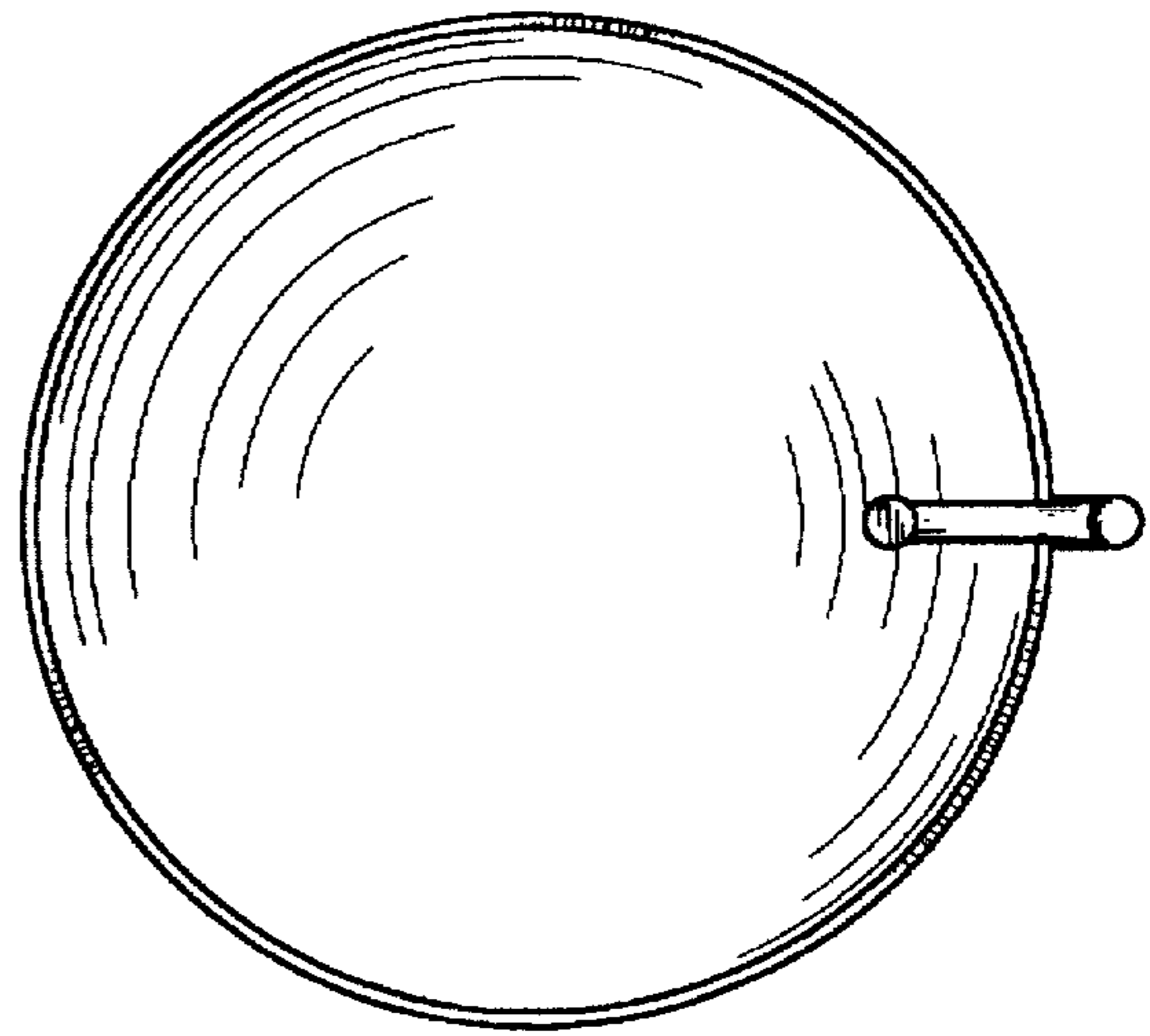


Fig.6