

US00D391001S

United States Patent [19]
Hsu

[11] **Patent Number: Des. 391,001**
[45] **Date of Patent: **Feb. 17, 1998**

[54] **BATHROOM LAMP**

Home Lighting and Accessories, p. 61, Kichler wall lamp, Feb.1995.

[75] **Inventor: Keen Hsu, Taichung, Taiwan**

[73] **Assignee: Bright Yin Huey Co., Ltd., Taichung, Taiwan**

Primary Examiner—Susan J. Lucas
Attorney, Agent, or Firm—Browdy and Neimark

[**] **Term: 14 Years**

[57] **CLAIM**

[21] **Appl. No.: 67,694**

The ornamental design for "bathroom lamp", as shown and described.

[22] **Filed: Mar. 5, 1997**

[51] **LOC (6) Cl. 26-05**

[52] **U.S. Cl. D26/87**

[58] **Field of Search D26/72, 80-92;
362/147, 404-408, 432**

DESCRIPTION

FIG. 1 is a perspective view of bathroom lamp showing my new design;

FIG. 2 is a front view thereof;

FIG. 3 is a rear view thereof;

FIG. 4 is a right side view thereof, the left side view is identical;

FIG. 5 is a top view thereof; and,

FIG. 6 is a bottom view thereof.

[56] **References Cited**

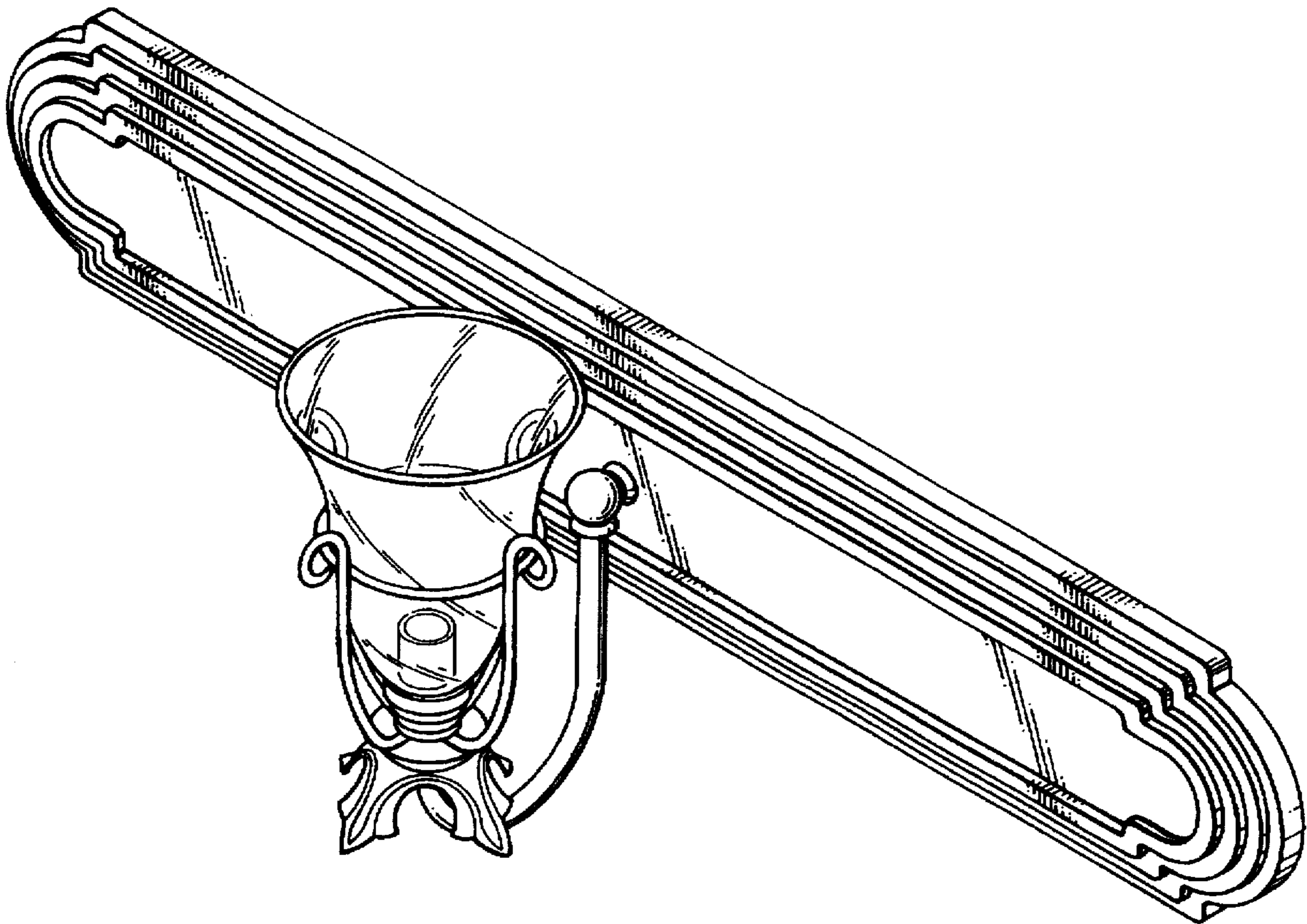
U.S. PATENT DOCUMENTS

D. 271,621 11/1983 Porter D26/81
D. 367,936 3/1996 Kay D26/87

OTHER PUBLICATIONS

Murray Feiss lighting catalog, p. FX 129, wall lamp #VS2801, Mar. 1995.
Minka-Lavery lighting catalog, p. 163, wall lamp base, #E W197-22, Jan. 1995.

1 Claim, 3 Drawing Sheets



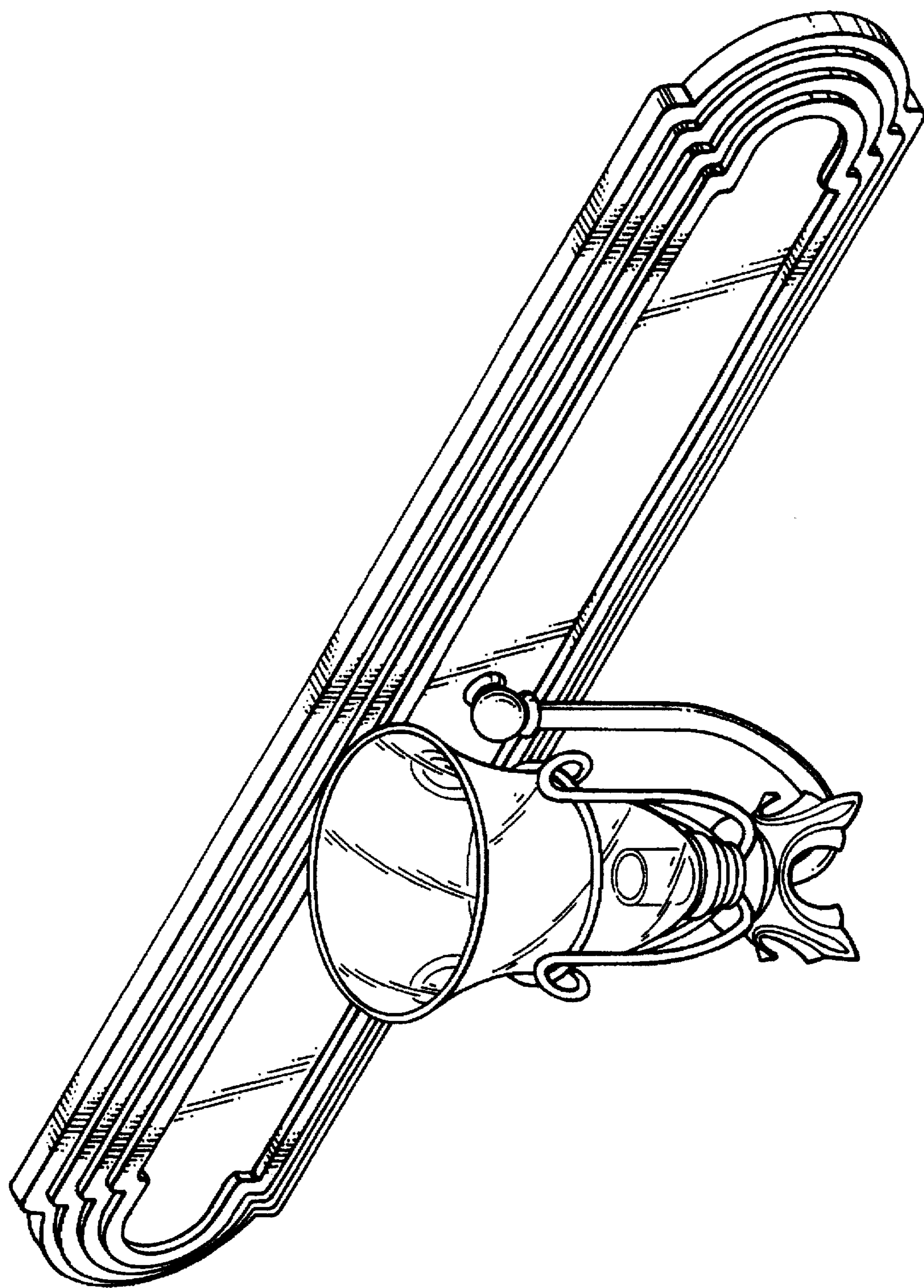


FIG. 1

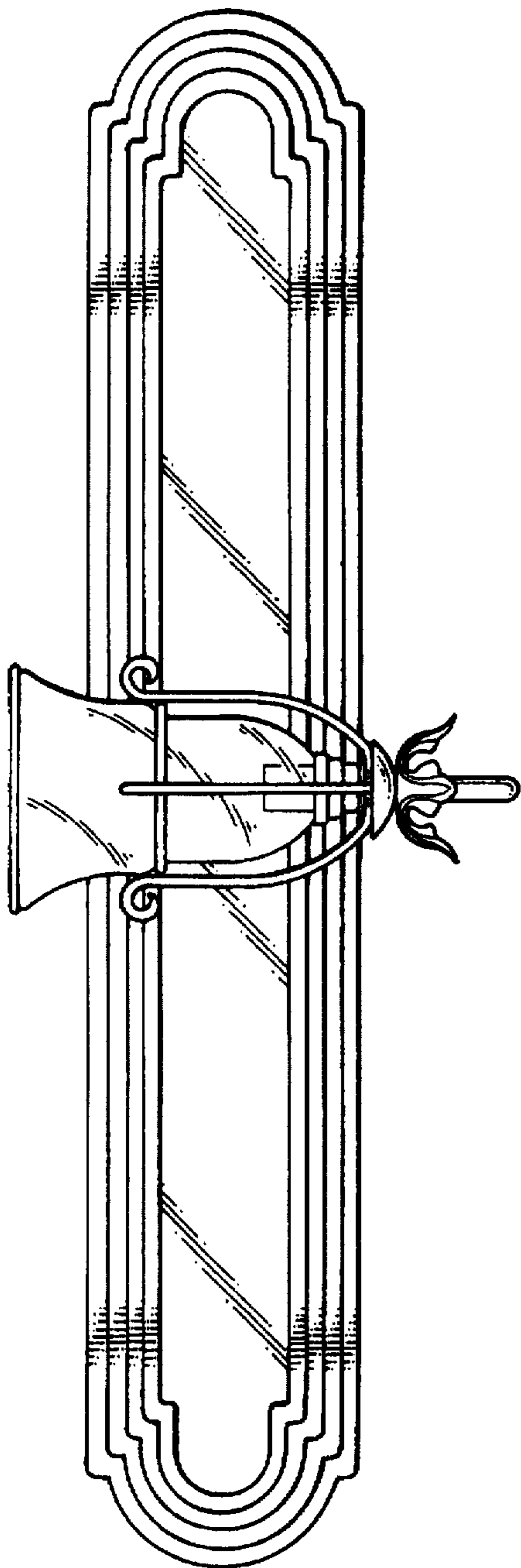


FIG. 2

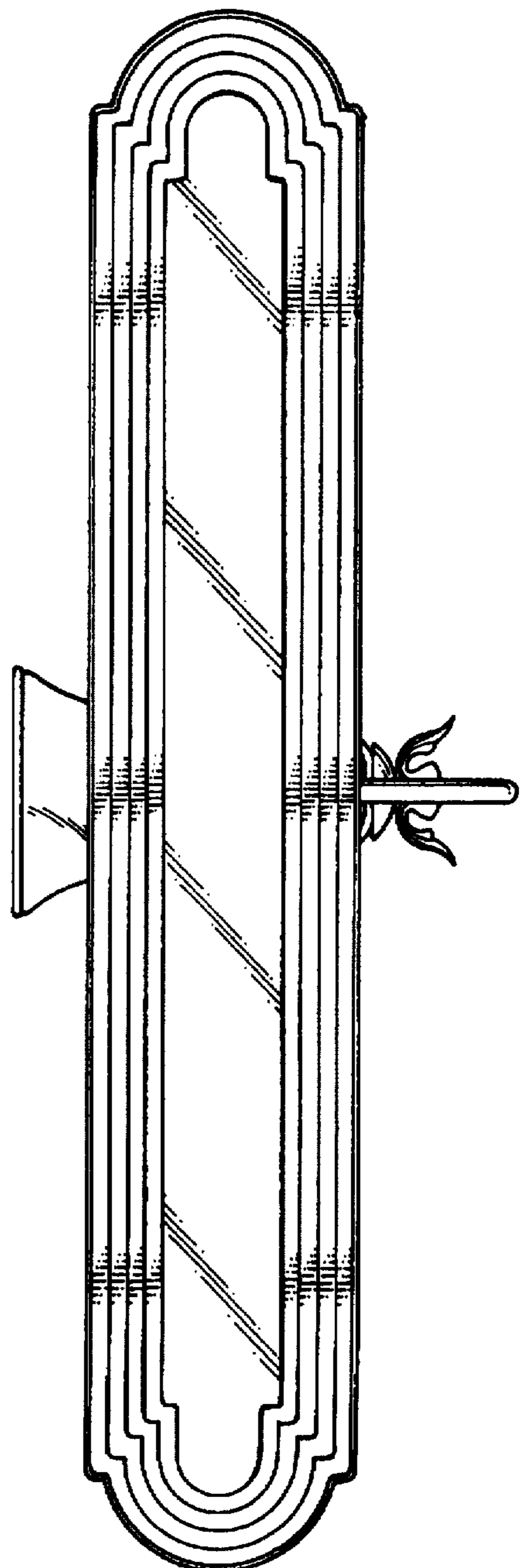


FIG. 3

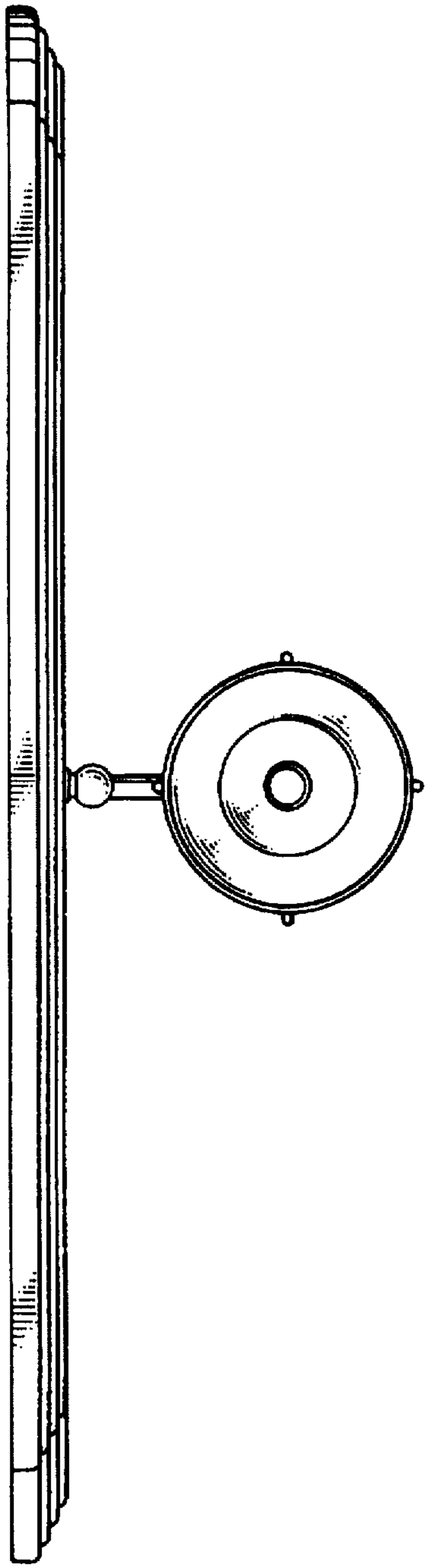


FIG. 5

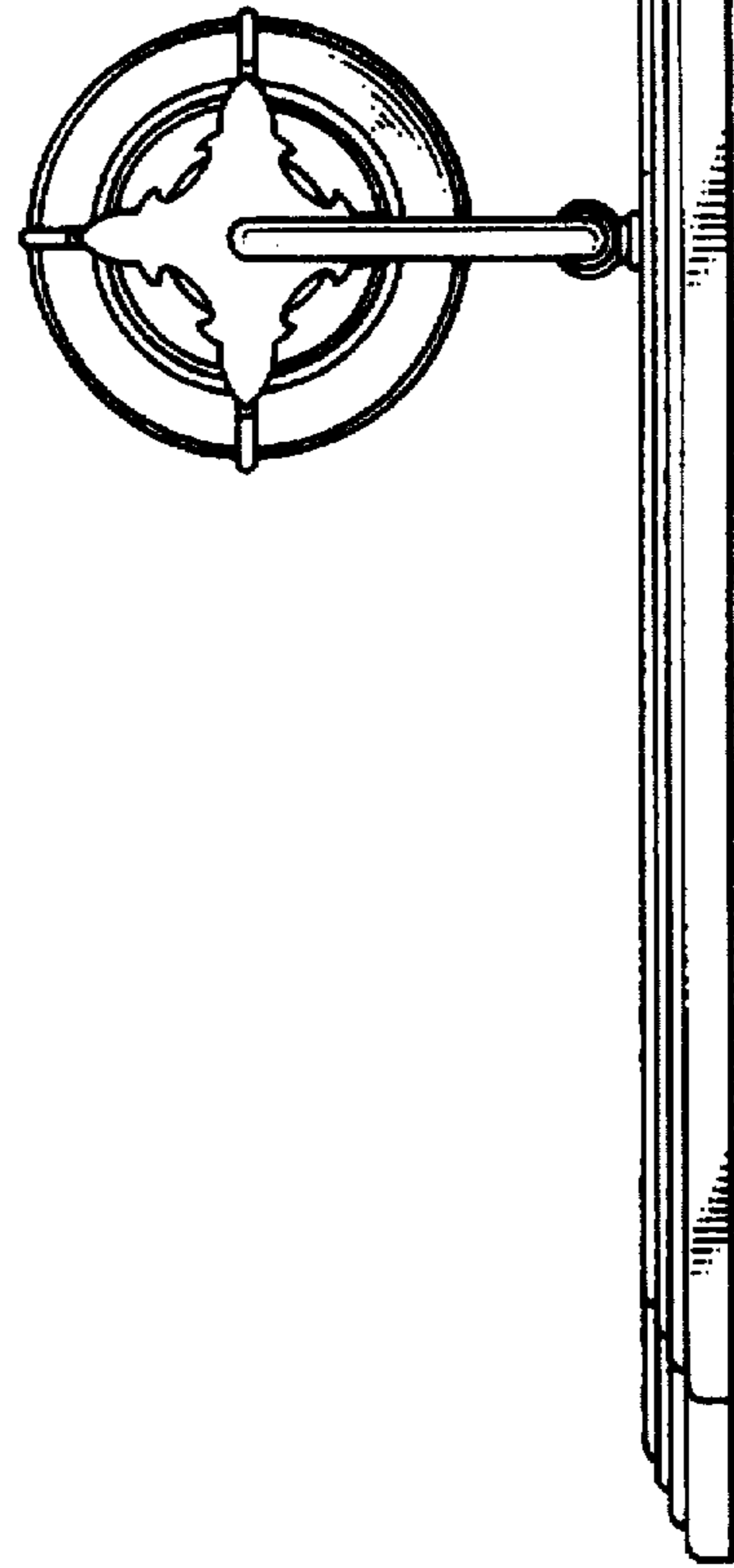


FIG. 6

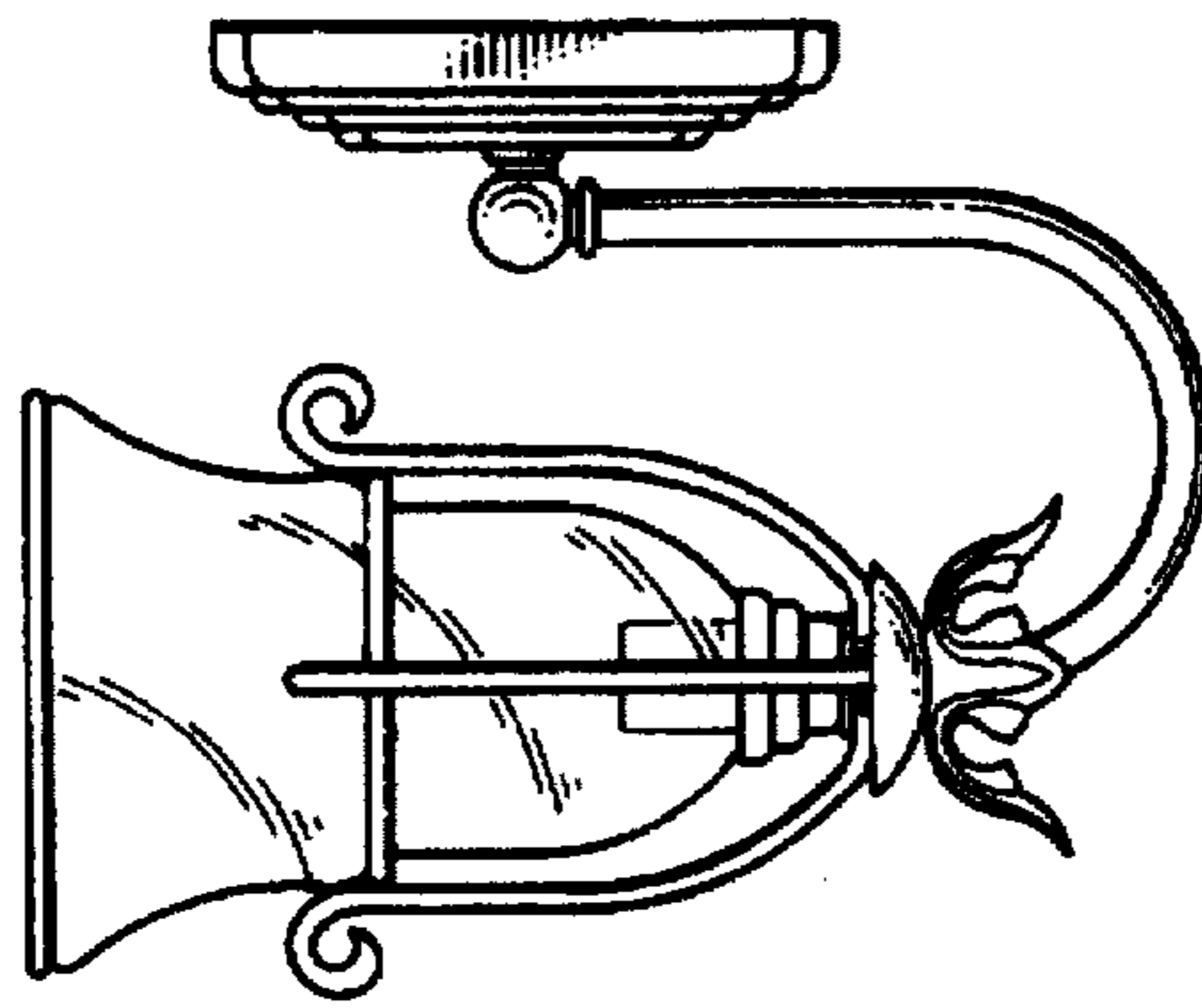


FIG. 4