



US00D390993S

United States Patent [19]
Crawford

[11] **Patent Number: Des. 390,993**
[45] **Date of Patent: **Feb. 17, 1998**

[54] **ARC LIGHT**

Attorney, Agent, or Firm—Darby & Darby

[75] **Inventor: James J. Crawford, Ringwood, N.J.**

[57] **CLAIM**

[73] **Assignee: Frezzolini Electronics, Inc.,
Hawthorne, N.J.**

The ornamental design for an arc light, as shown and described.

[**] **Term: 14 Years**

DESCRIPTION

[21] **Appl. No.: 64,495**

FIG. 1 is a front elevational view of an arc light, showing my new design;

[22] **Filed: Jan. 3, 1997**

FIG. 2 is a left side elevational view thereof;

[51] **LOC (6) Cl. 26-05**

FIG. 3 is a top plan view thereof;

[52] **U.S. Cl. D26/63**

FIG. 4 is a right side elevational view thereof;

[58] **Field of Search D26/60, 61, 63,
D26/65; 362/147, 269, 275, 287, 418, 419,
427**

FIG. 5 is a rear elevational view thereof;

[56] **References Cited**

FIG. 6 is a bottom plan view thereof; and,

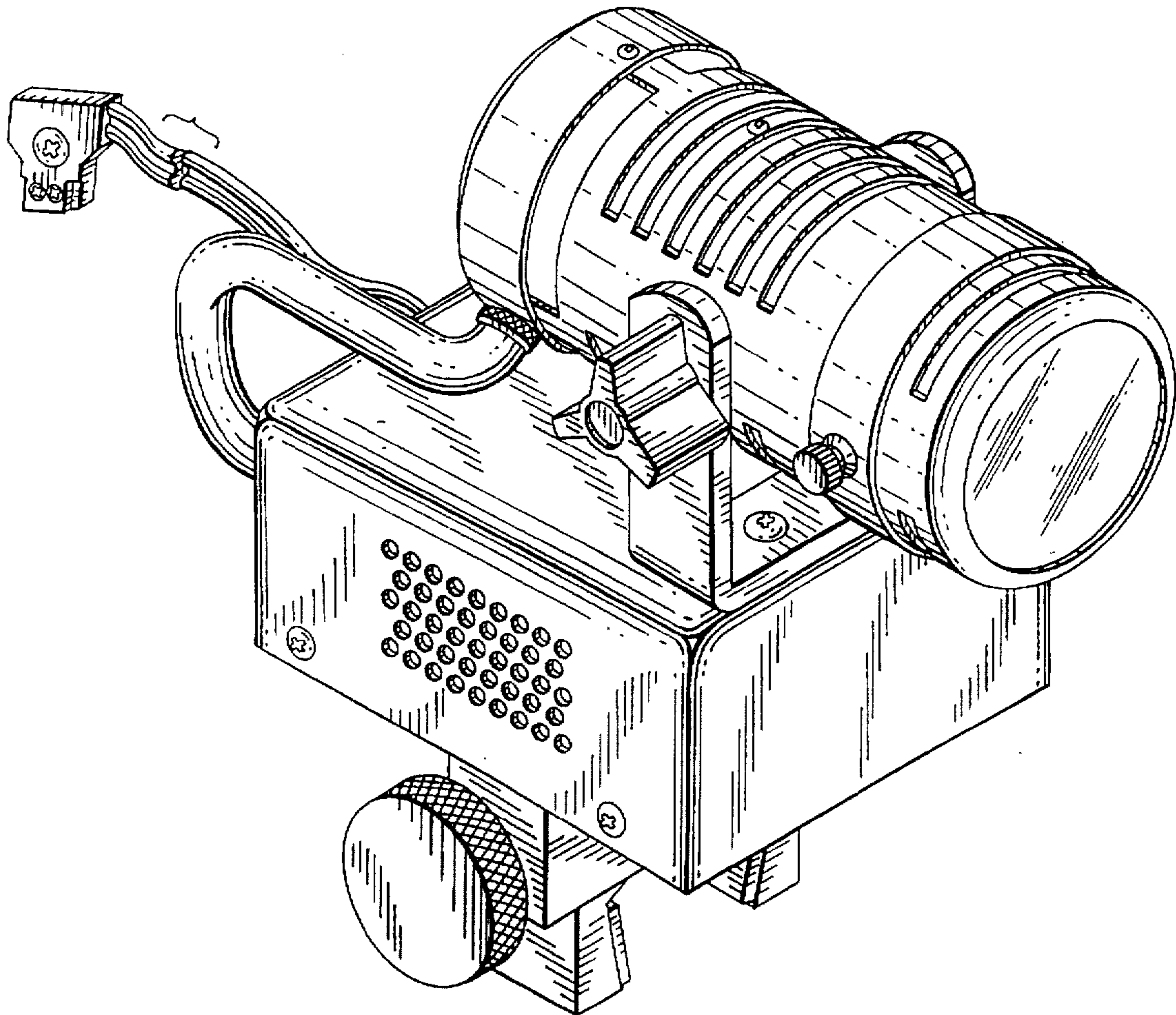
PUBLICATIONS

FIG. 7 is a perspective view thereof as viewed from the left.

Home Lighting and Accessories, p. 39, *Electrix@halogen* spotlight, to, right, Dec. 1986.

Primary Examiner—Susan J. Lucas

1 Claim, 7 Drawing Sheets



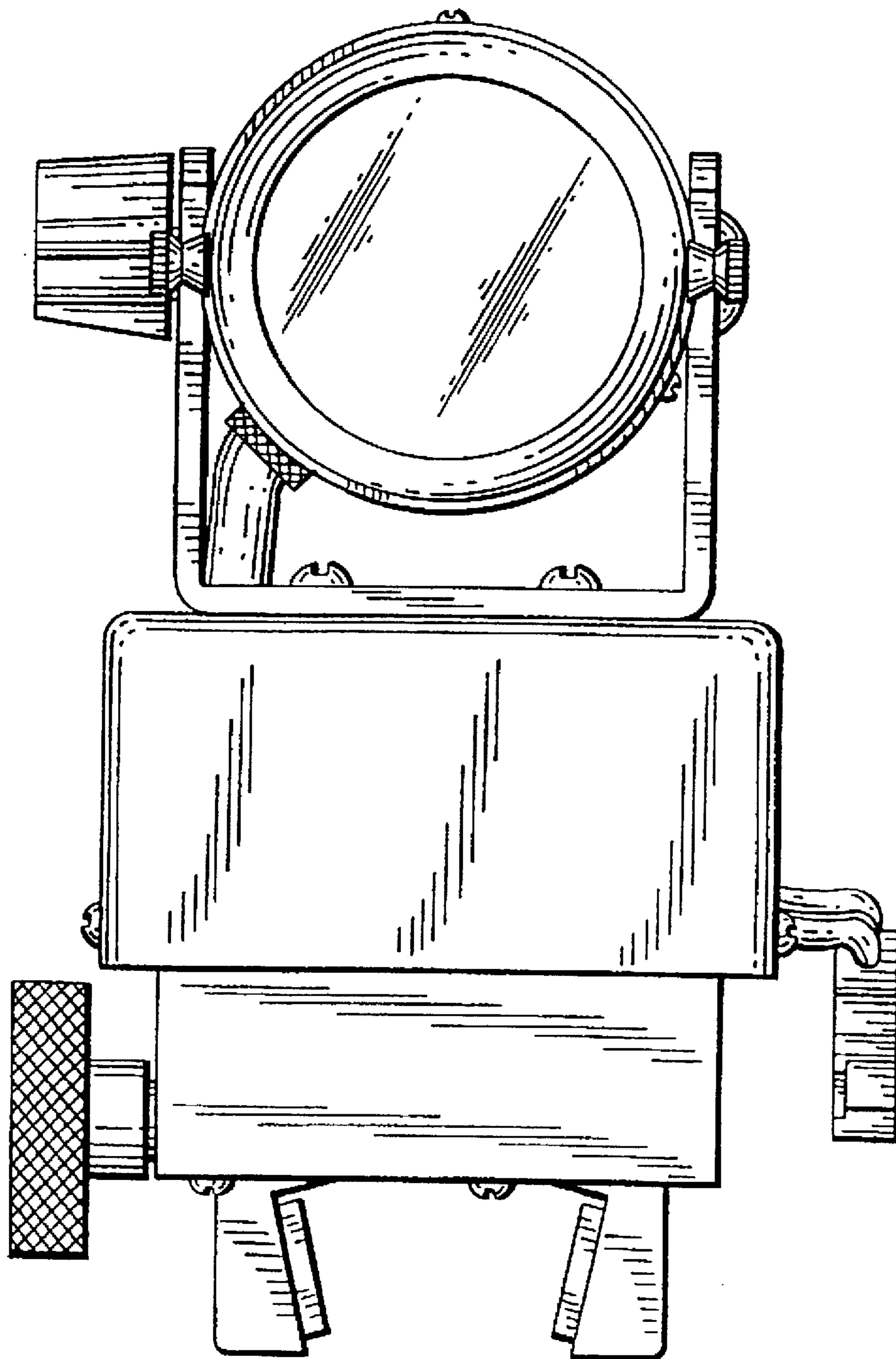


FIG. 1

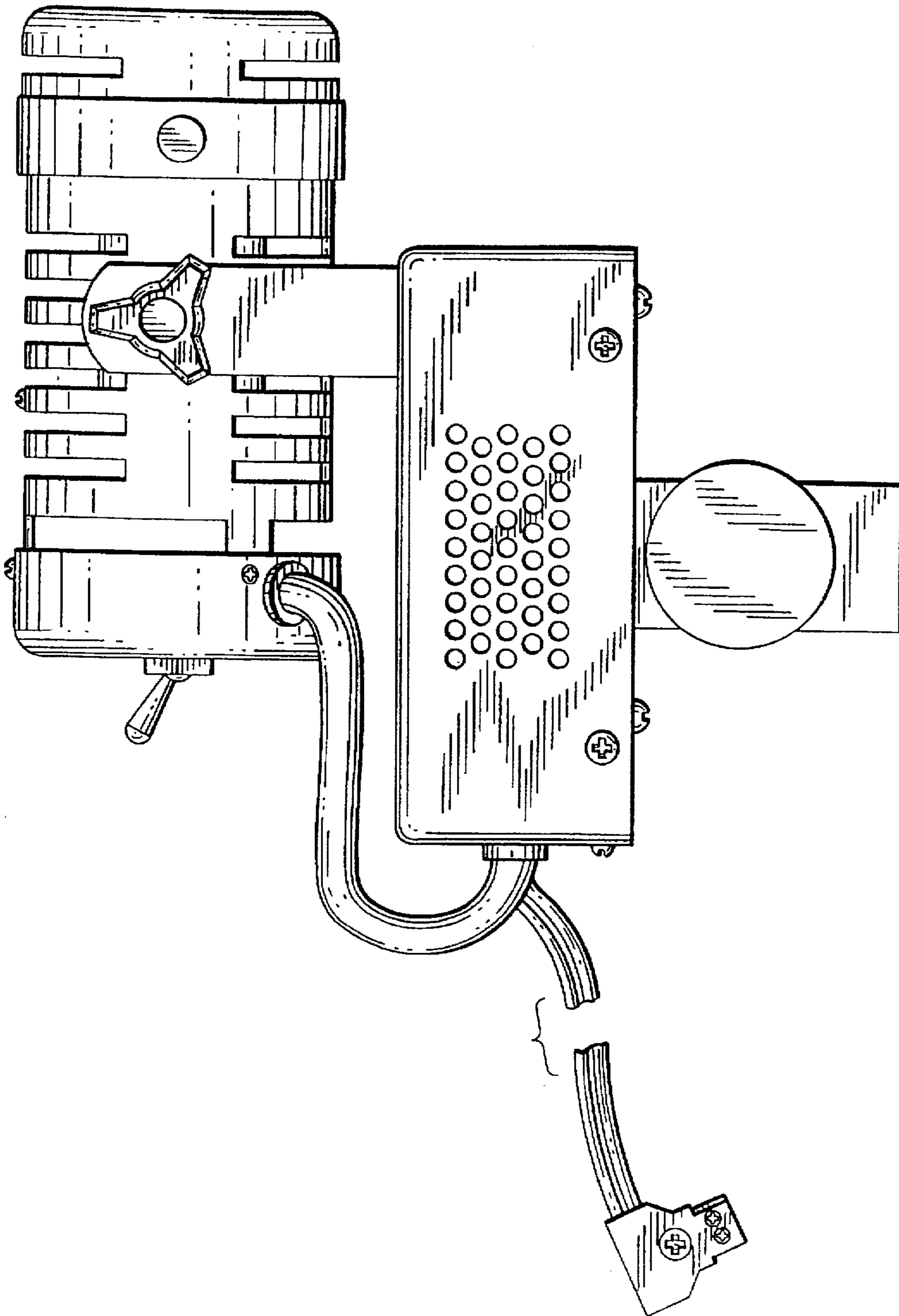


FIG. 2

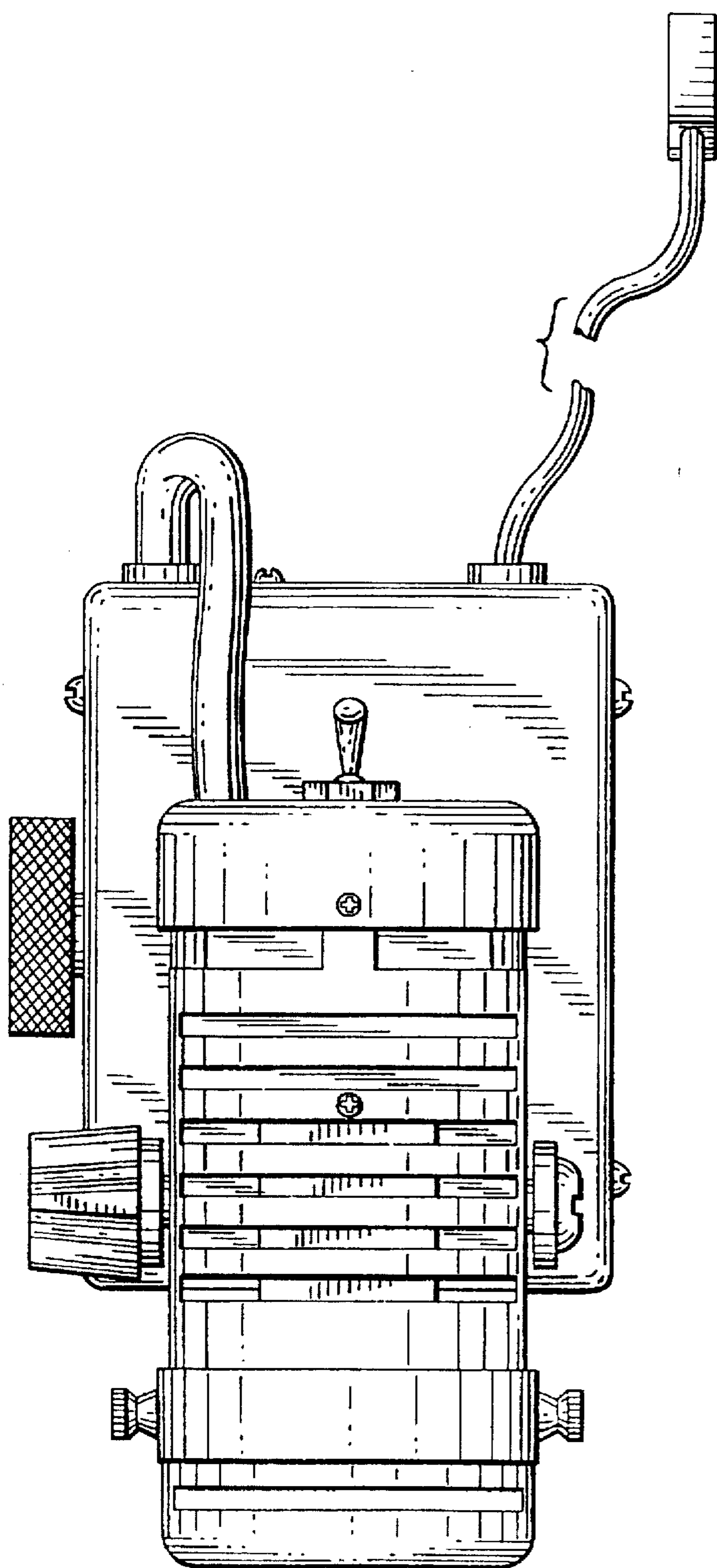


FIG. 3

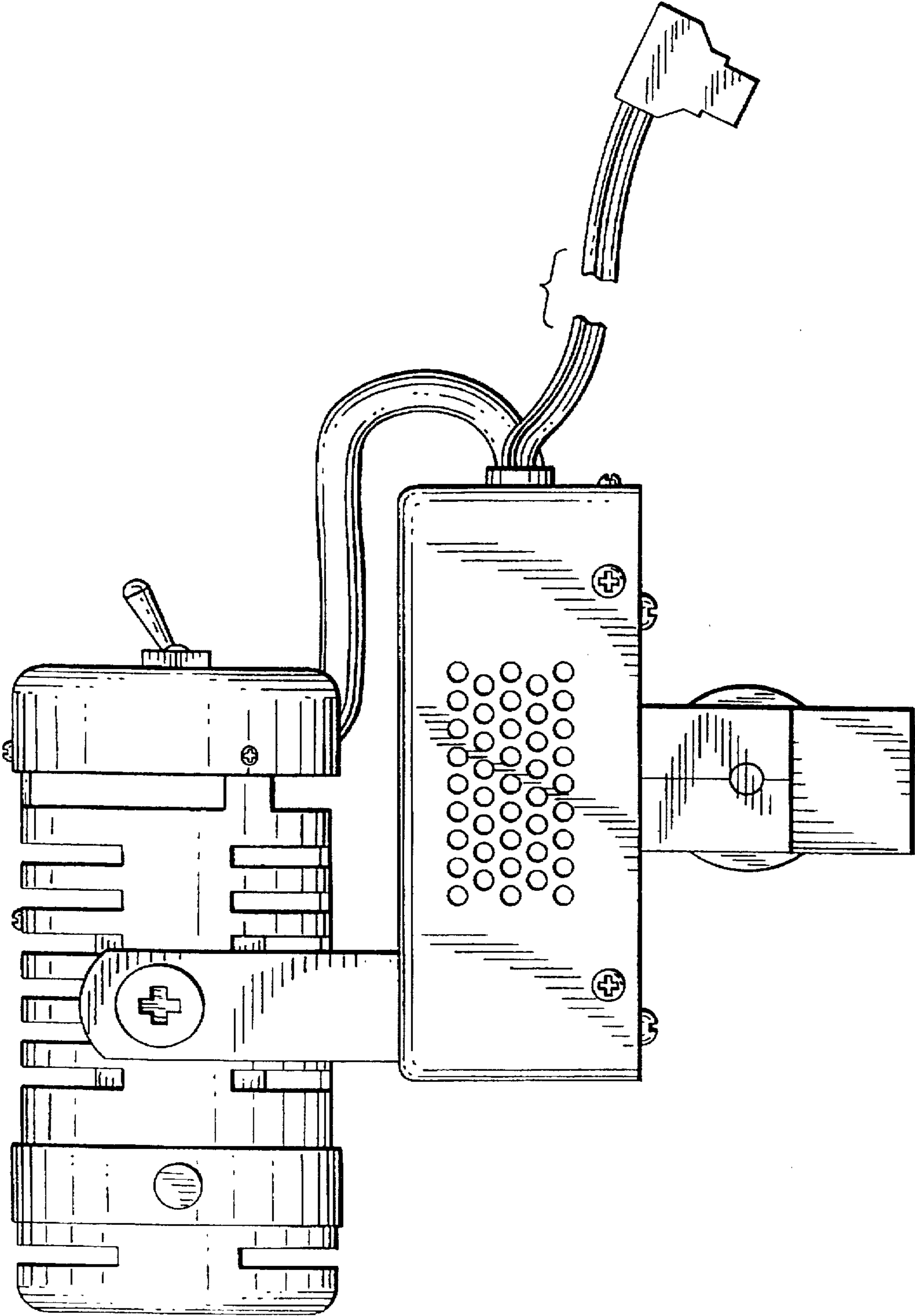


FIG. 4

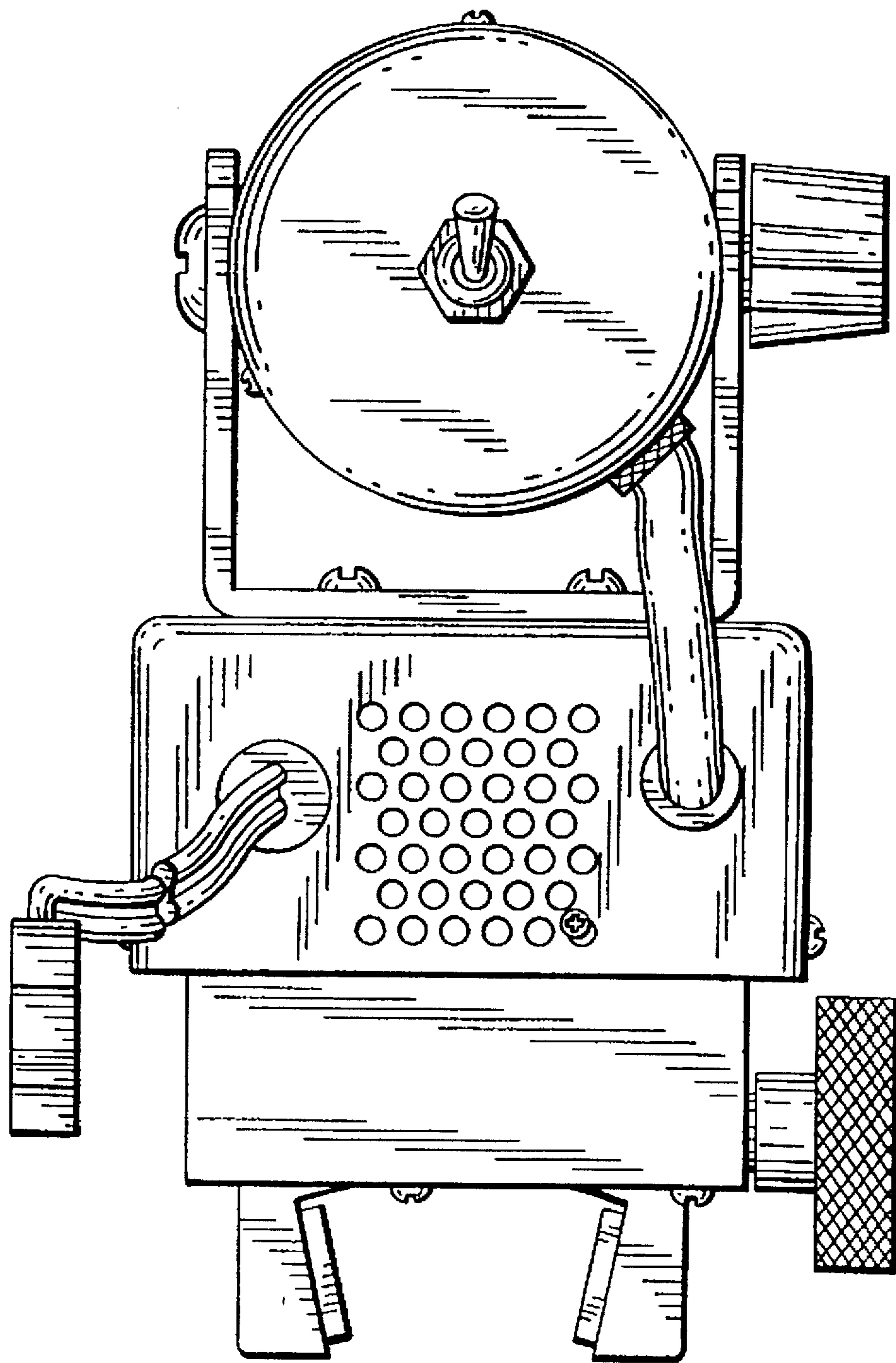


FIG. 5

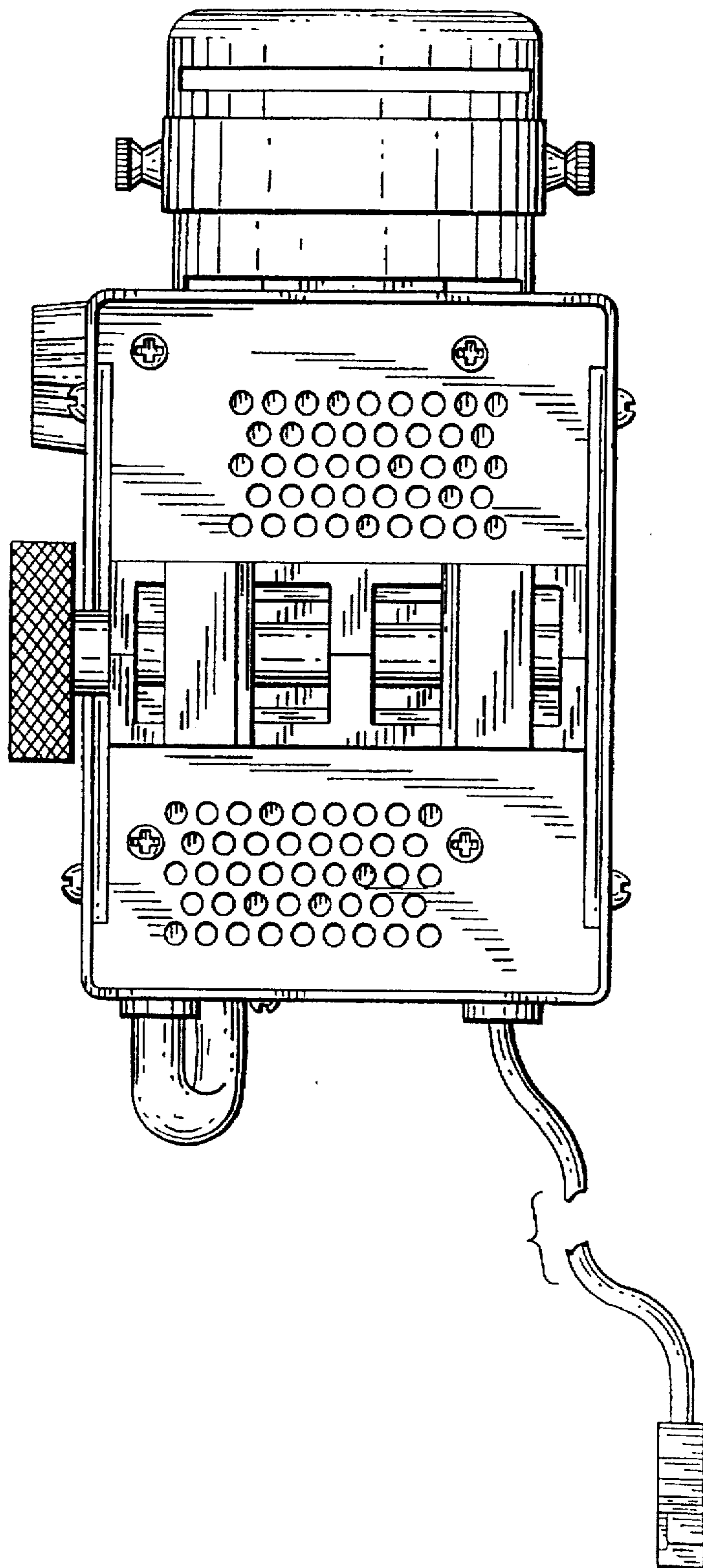


FIG. 6

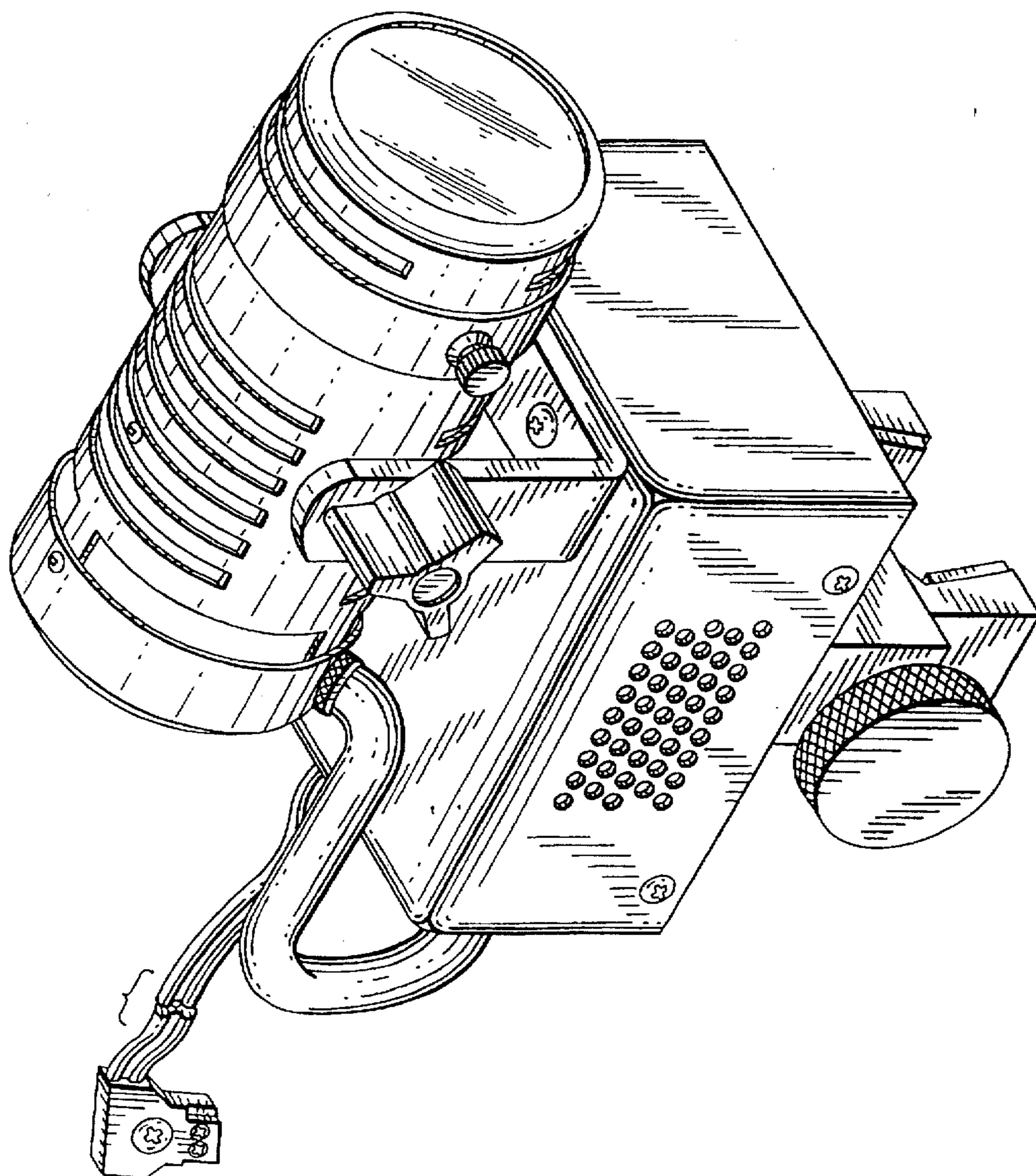


FIG. 7