



US00D390992S

# United States Patent [19] Shemitz

[11] Patent Number: **Des. 390,992**

[45] Date of Patent: **\*\*Feb. 17, 1998**

[54] LUMINAIRE

[75] Inventor: **Sylvan R. Shemitz**, Woodbridge, Conn.

[73] Assignee: **Sylvan R. Shemitz Designs, Inc.**, West Haven, Conn.

[\*\*] Term: **14 Years**

[21] Appl. No.: **64,424**

[22] Filed: **Jan. 2, 1997**

[51] LOC (6) CL ..... **26-05**

[52] U.S. Cl. .... **D26/63; D26/85**

[58] Field of Search ..... **D26/60, 61, 63, D26/65, 72, 80-92; 362/147, 267, 275, 287, 418, 419, 427**

[56] **References Cited**

**U.S. PATENT DOCUMENTS**

D. 254,094	1/1980	Jaksich	.....	D26/63
D. 297,670	9/1988	Douenias	.....	D26/63
D. 308,114	5/1990	Shemitz	.....	D26/85
D. 308,260	5/1990	Shemitz	.....	D26/85
D. 312,886	12/1990	Brown	.....	D26/63
D. 316,306	4/1991	Shemitz	.....	D26/63
D. 349,173	7/1994	Fellinger	.....	D26/85
D. 360,049	7/1995	Shemitz	.....	D26/74
D. 360,270	7/1995	Shemitz	.....	D26/74
D. 362,314	9/1995	Shemitz	.....	D26/74
4,796,169	1/1989	Shemitz	.....	362/282

**OTHER PUBLICATIONS**

SPI Lighting, "Semi-Recessed Wall Wash Unit ECR SR/EDR SR 1 and 2", SPI Lighting, Inc., Catalog Insert pp. 392-35 (1992).

Insight Lighting, "TAOS HID Integral Ballast / 9 by 15 inches" (date unknown) prior to filing date.

*Primary Examiner*—Susan J. Lucas

*Attorney, Agent, or Firm*—Fish & Neave; Jeffrey H. Ingerman; Garry J. Tuma

[57] **CLAIM**

The ornamental design for a luminaire, as shown and described.

**DESCRIPTION**

FIG. 1 is a front, right, top, perspective view of a luminaire, showing a first embodiment of my new design;

FIG. 2 is a top plan view thereof;

FIG. 3 is a left side elevational view thereof, the right side being a mirror image;

FIG. 4 is a front elevational view thereof;

FIG. 5 is a rear elevational view thereof;

FIG. 6 is a bottom plan view thereof;

FIG. 7 is a front, right, top, perspective view of a luminaire, showing a second embodiment of my new design;

FIG. 8 is a top plan view thereof;

FIG. 9 is a left side elevational view thereof, the right side being a mirror image;

FIG. 10 is a front elevational thereof;

FIG. 11 is a rear elevational view thereof;

FIG. 12 is a bottom plan view thereof;

FIG. 13 is a front, left, top, perspective view of a luminaire, showing a third embodiment of my new design;

FIG. 14 is a top plan view thereof;

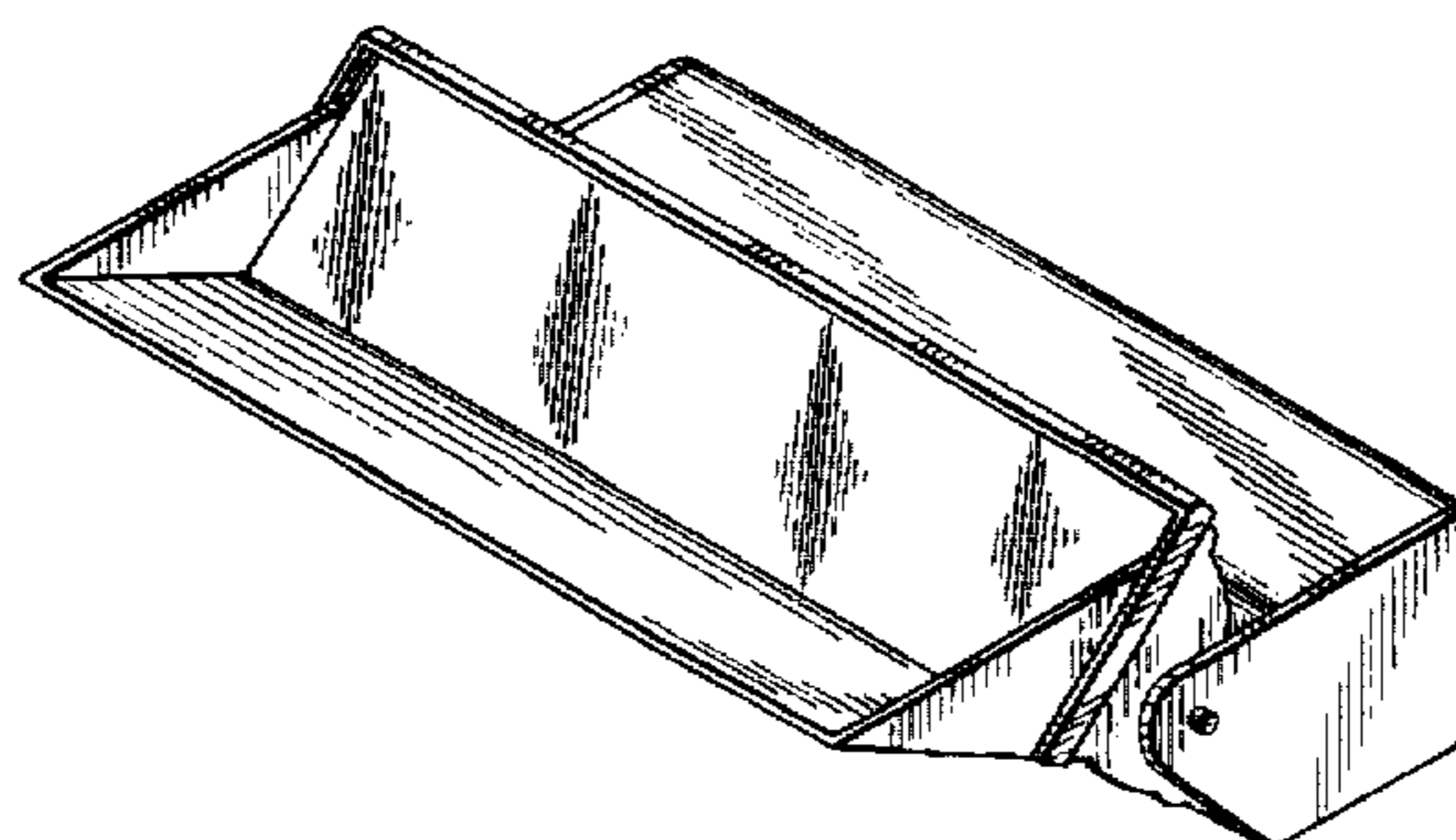
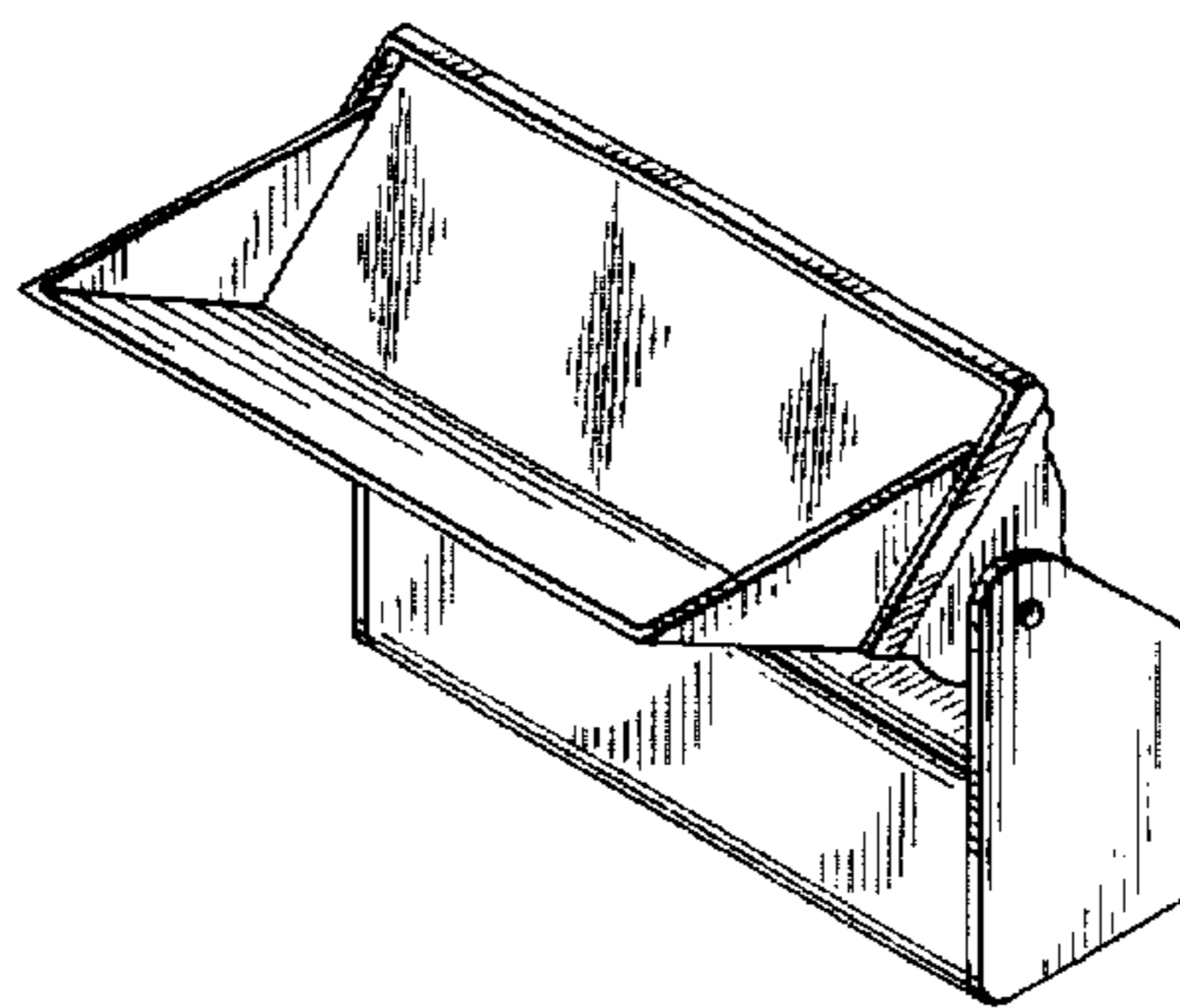
FIG. 15 is a right side elevational view thereof, the left side being a mirror image;

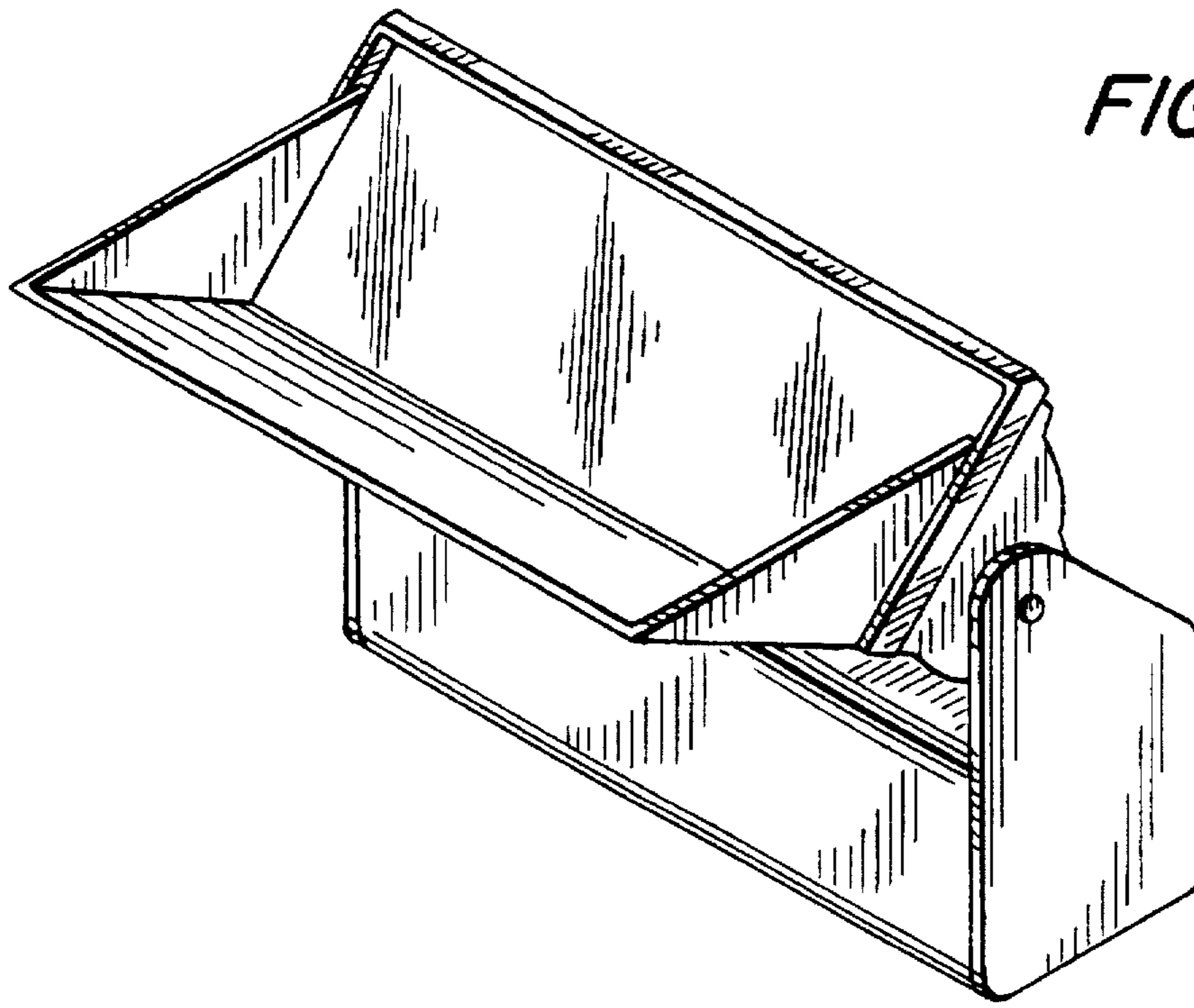
FIG. 16 is a front elevational thereof;

FIG. 17 is a rear elevational view thereof; and,

FIG. 18 is a bottom plan view thereof.

**1 Claim, 9 Drawing Sheets**





*FIG. 1*

*FIG. 2*

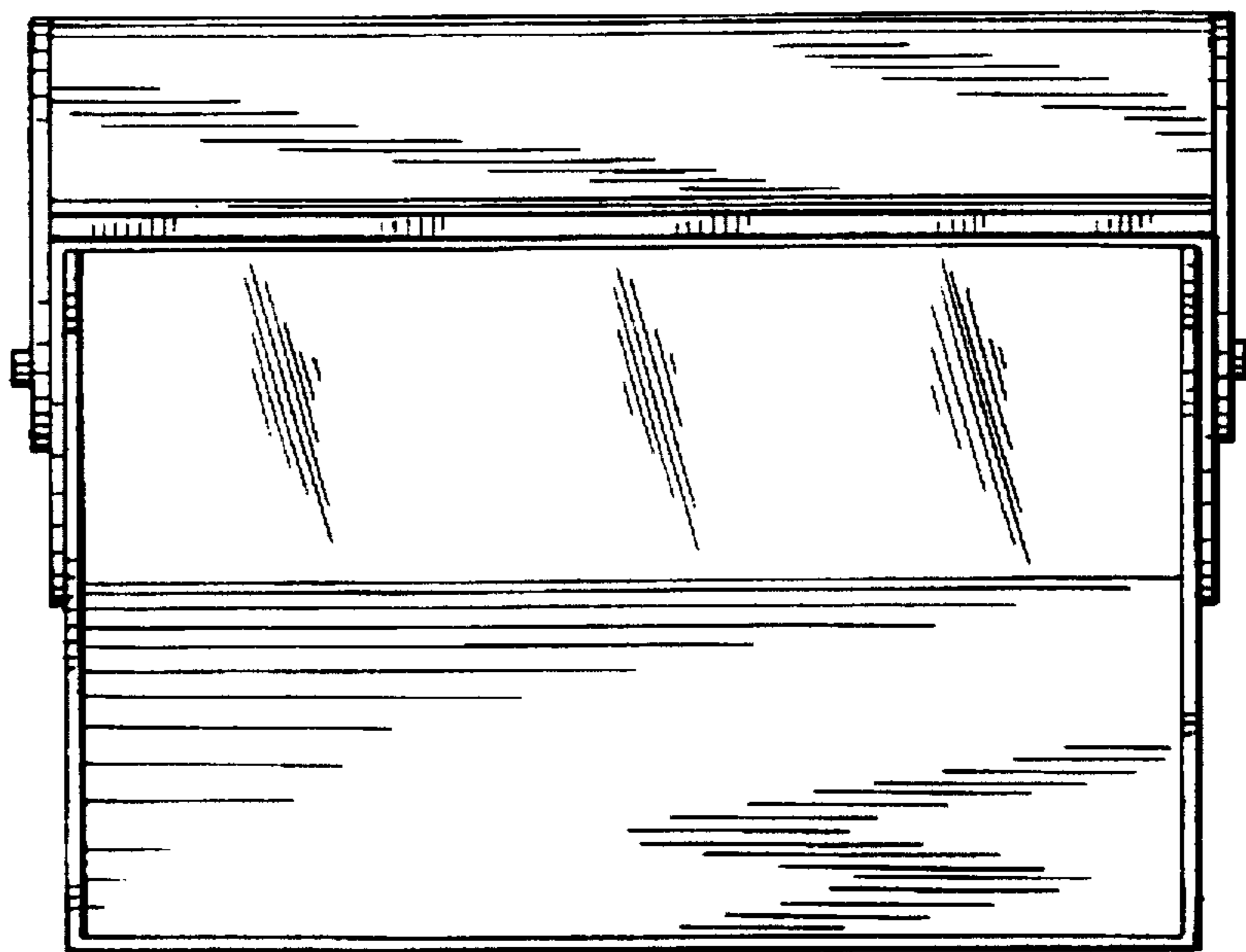


FIG. 4

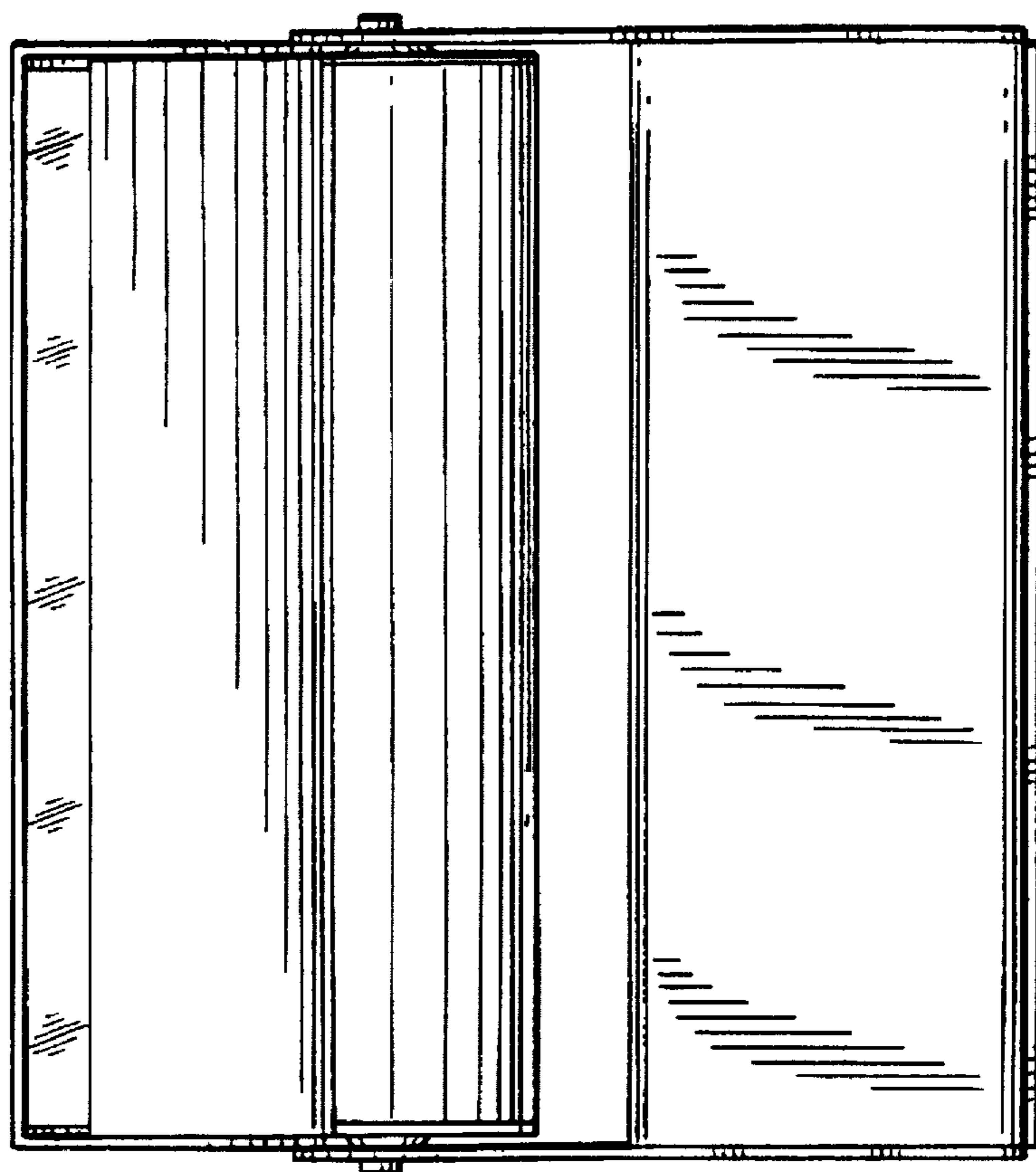
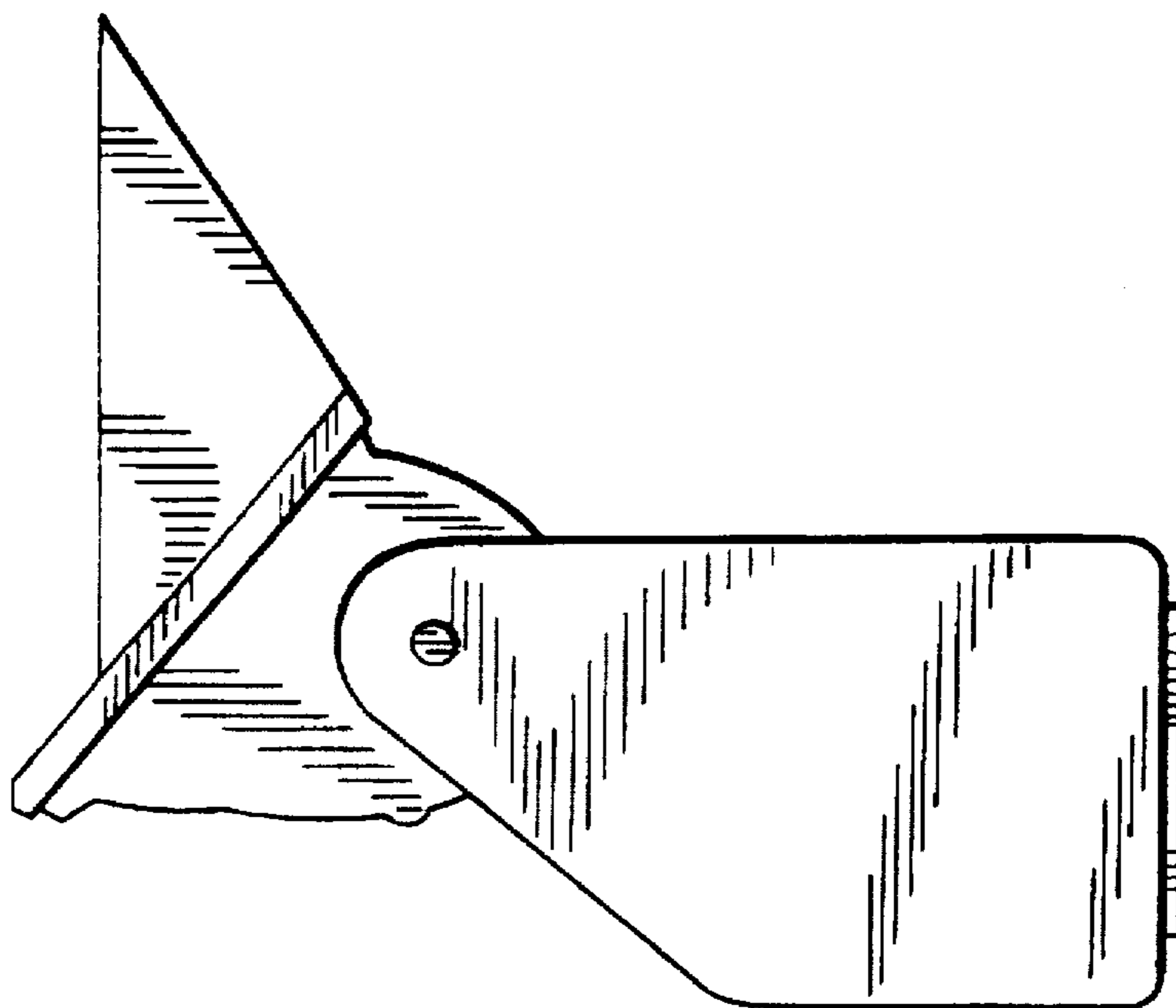


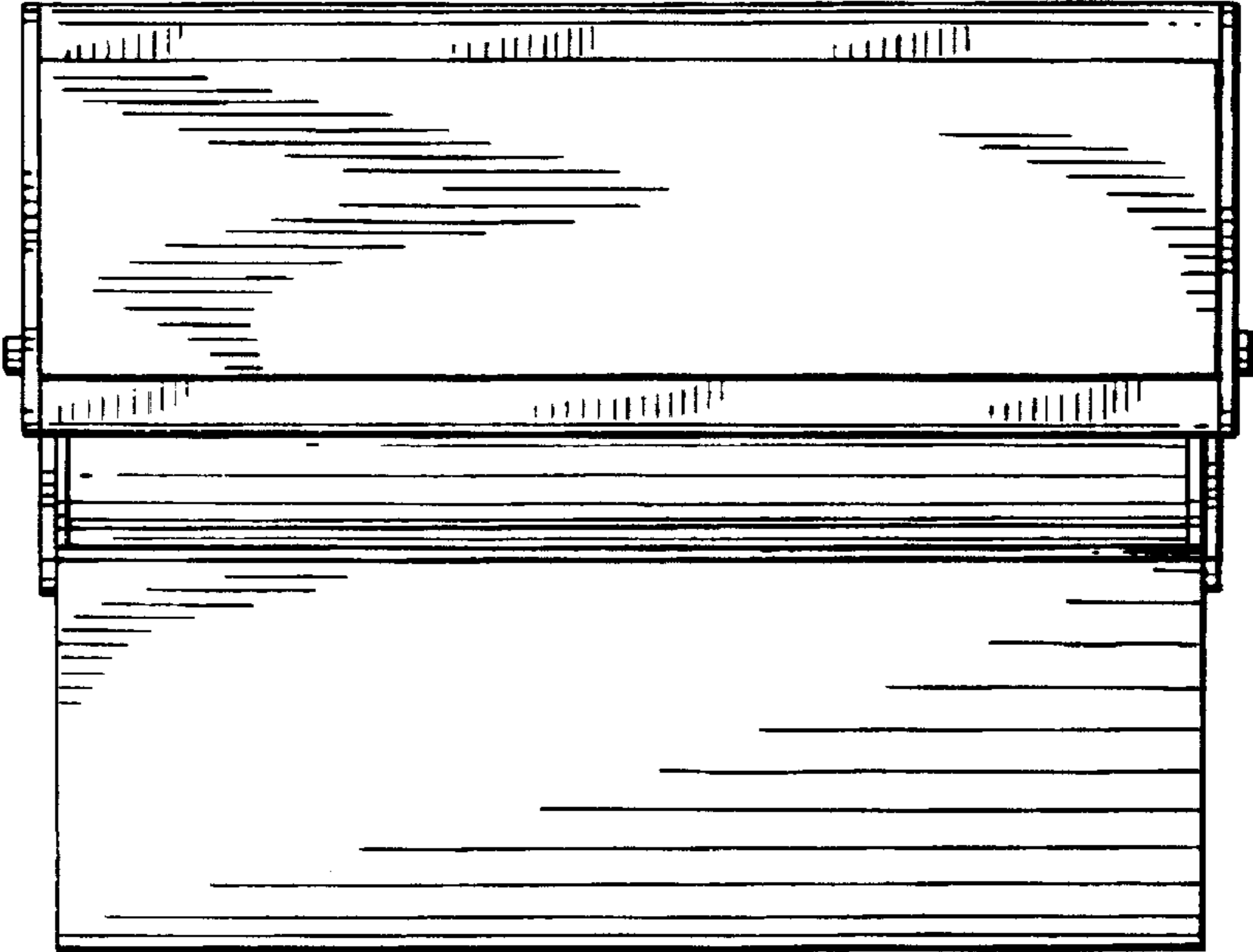
FIG. 3



*FIG. 5*



*FIG. 6*



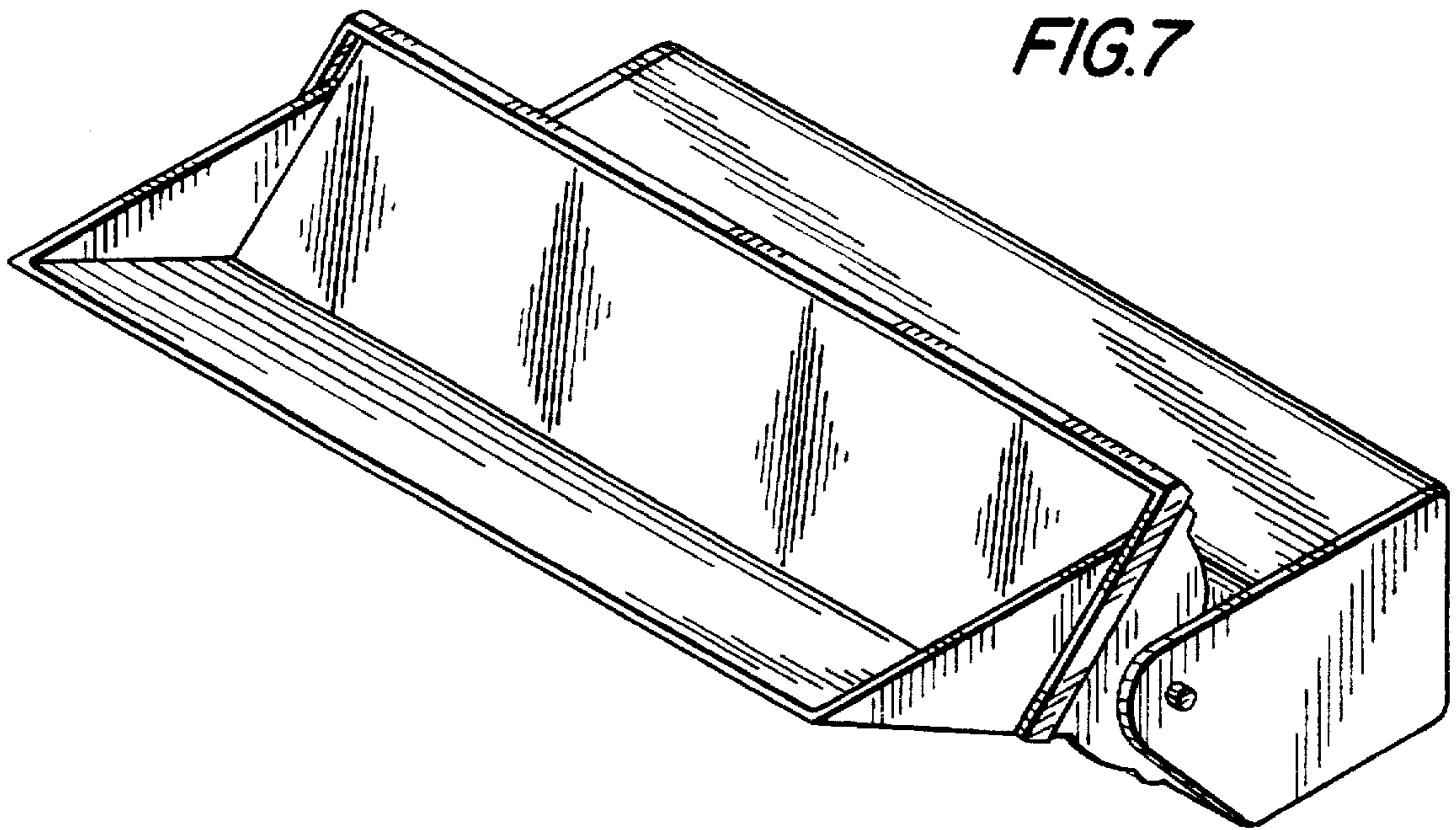
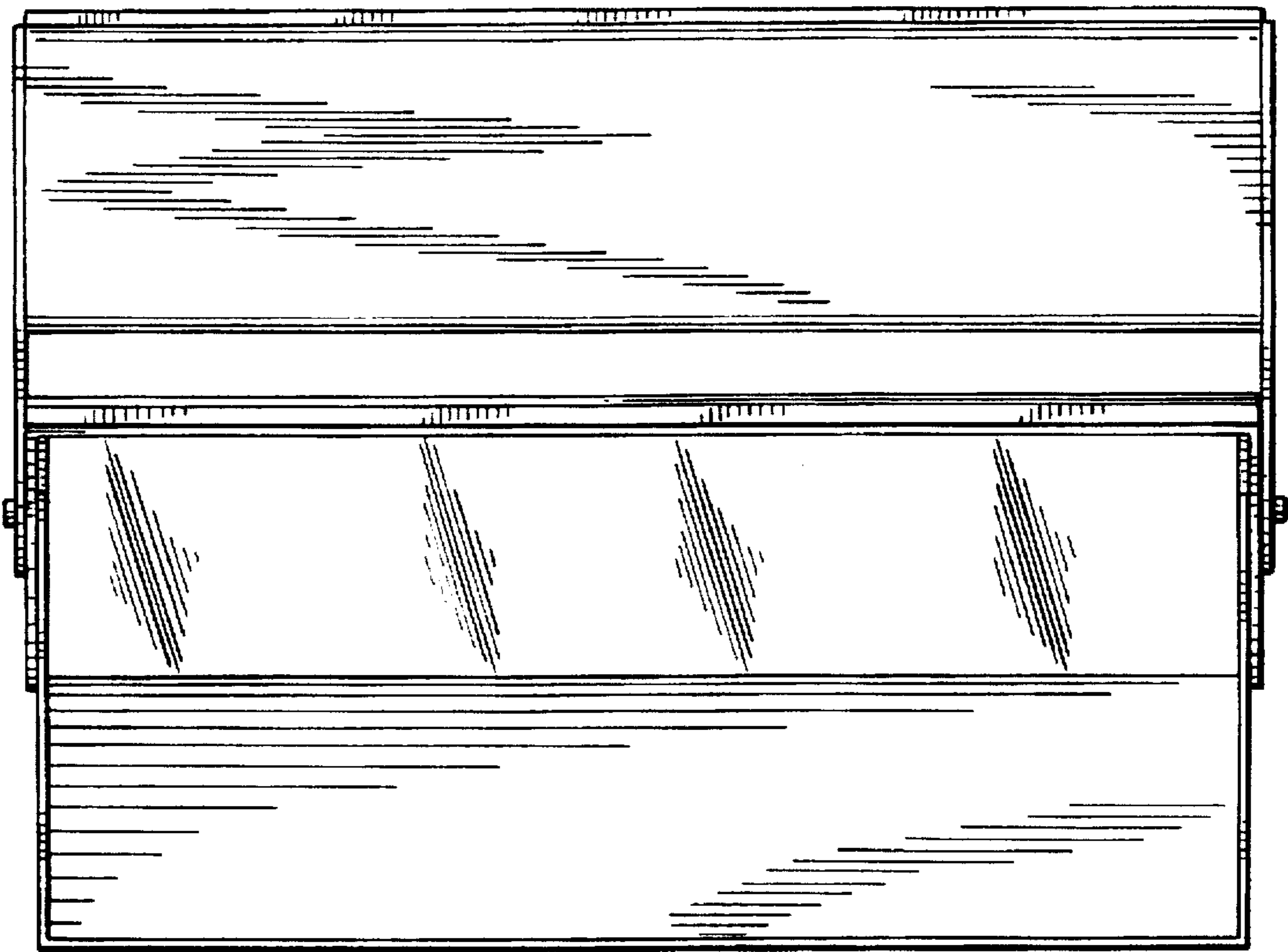


FIG. 8



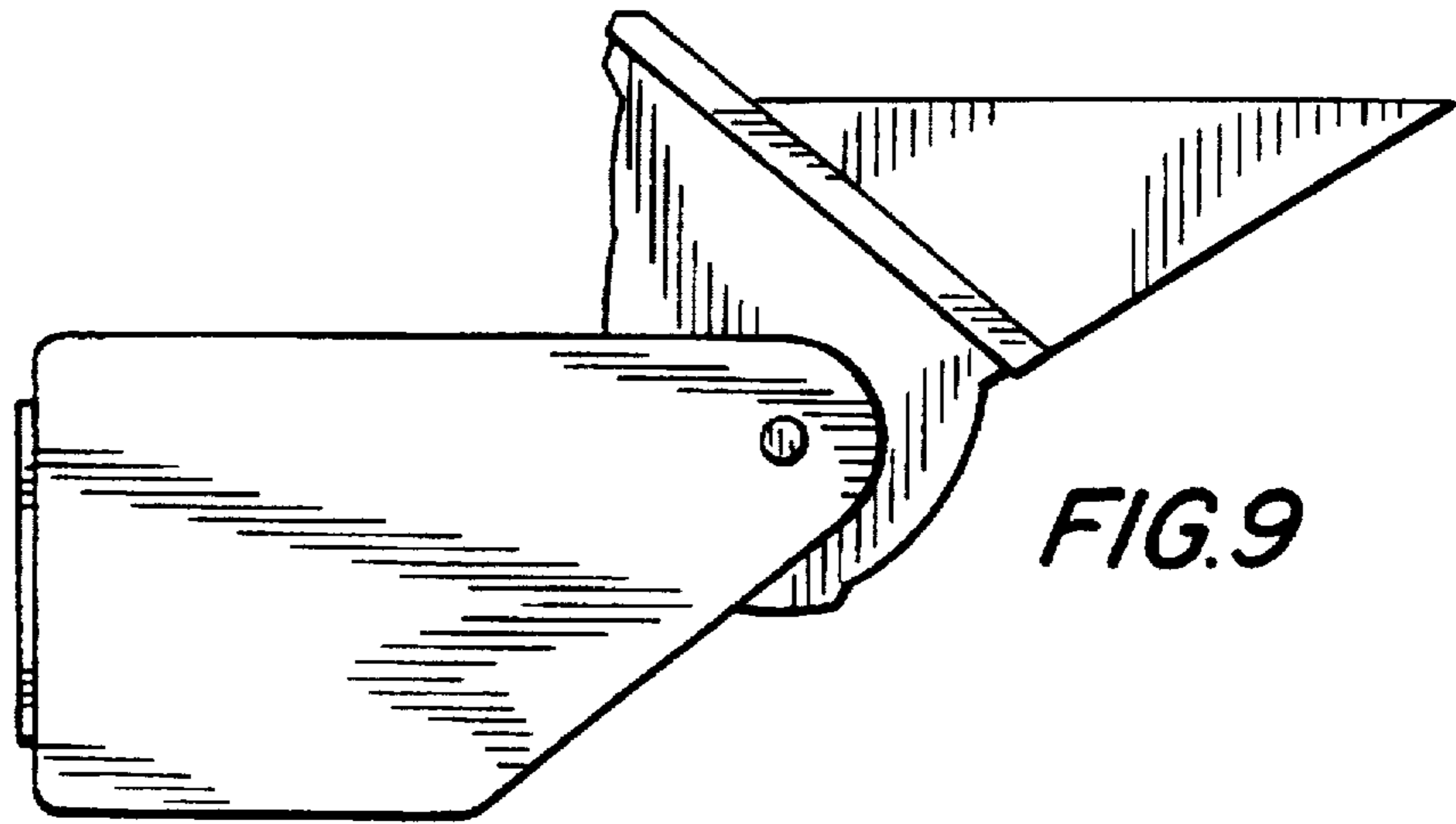
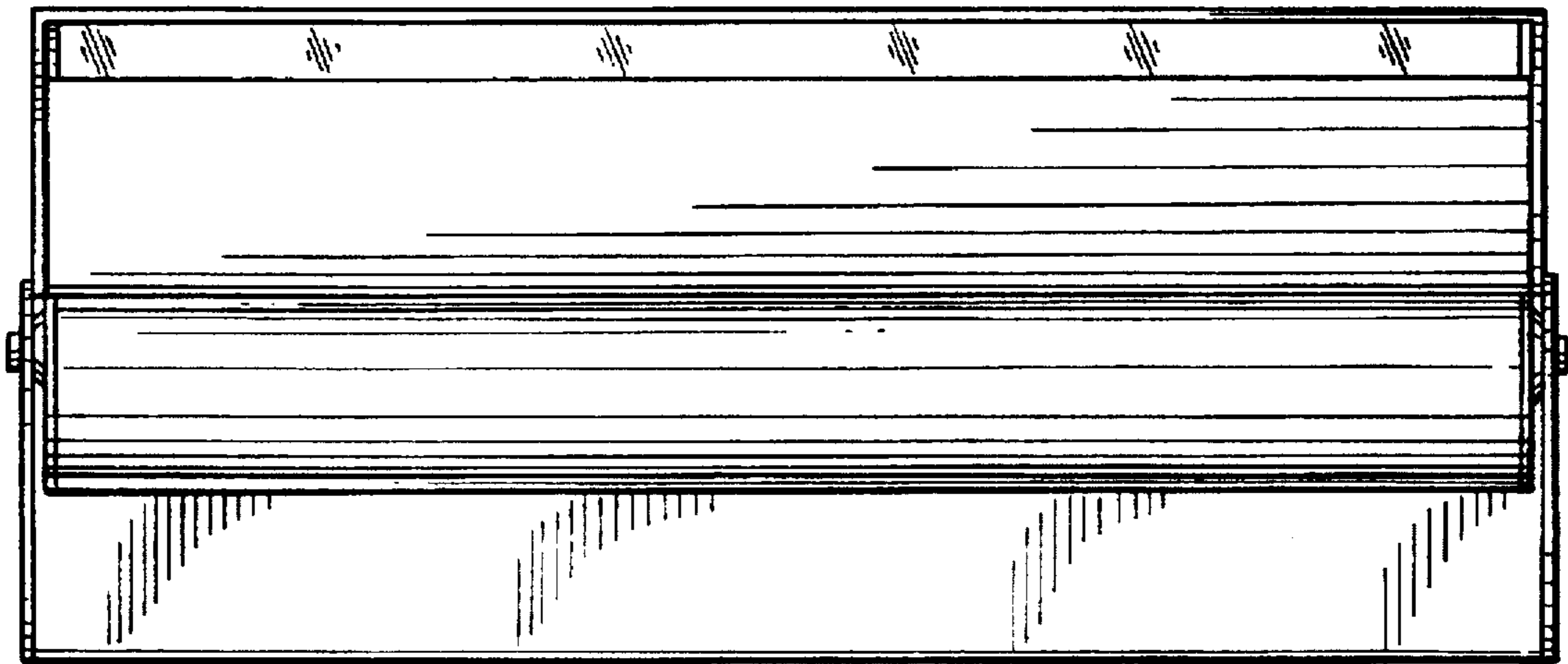
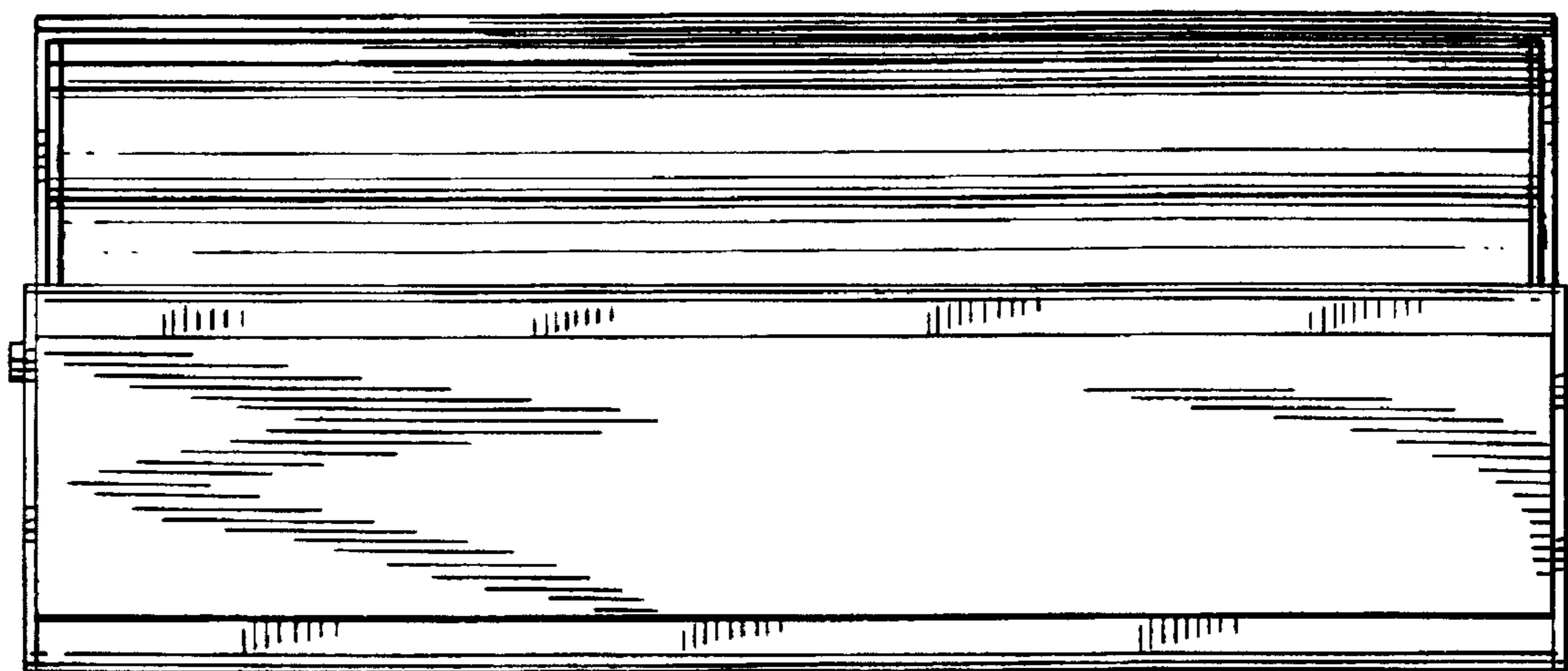


FIG. 10



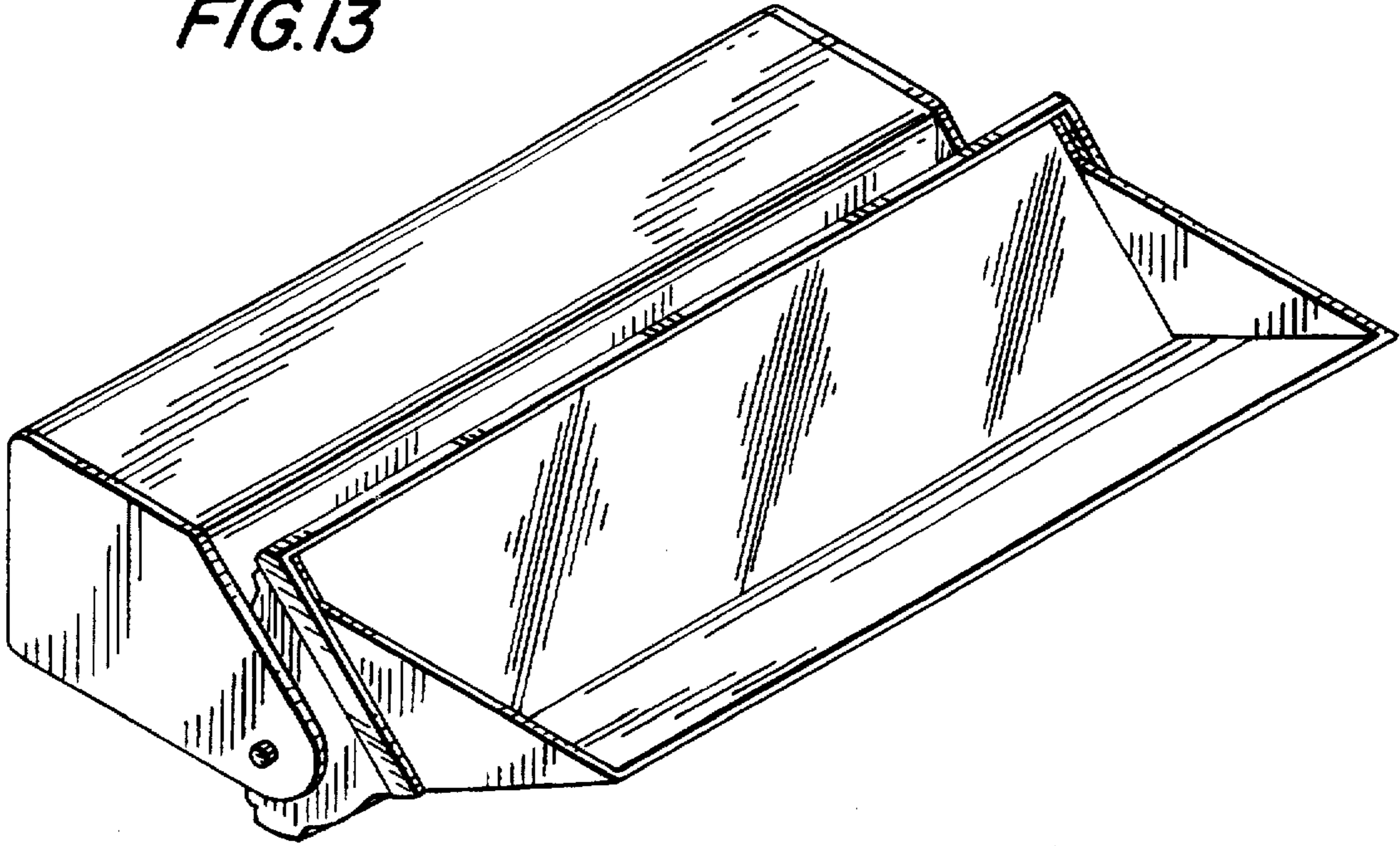
*FIG. 11*



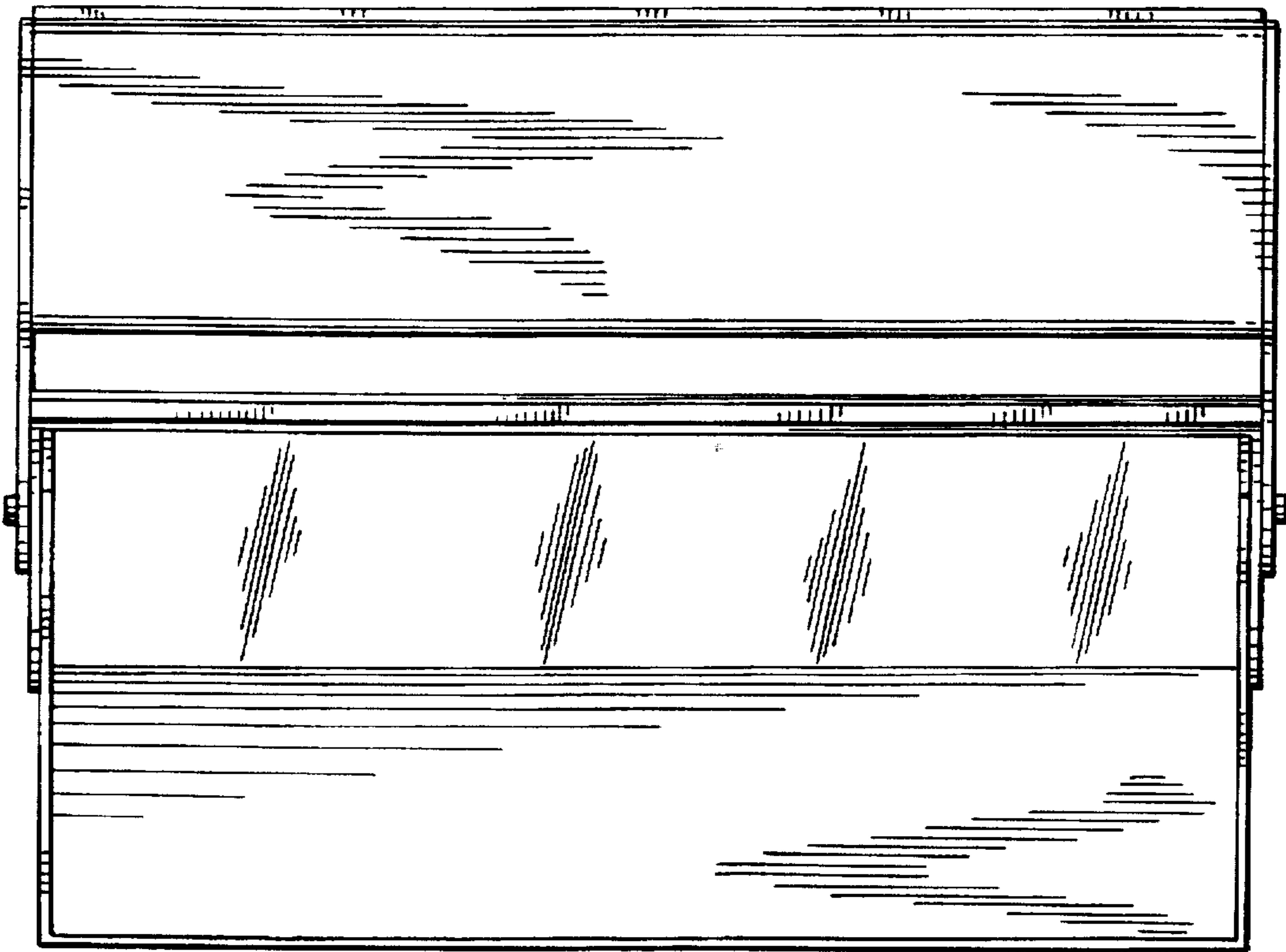
*FIG. 12*



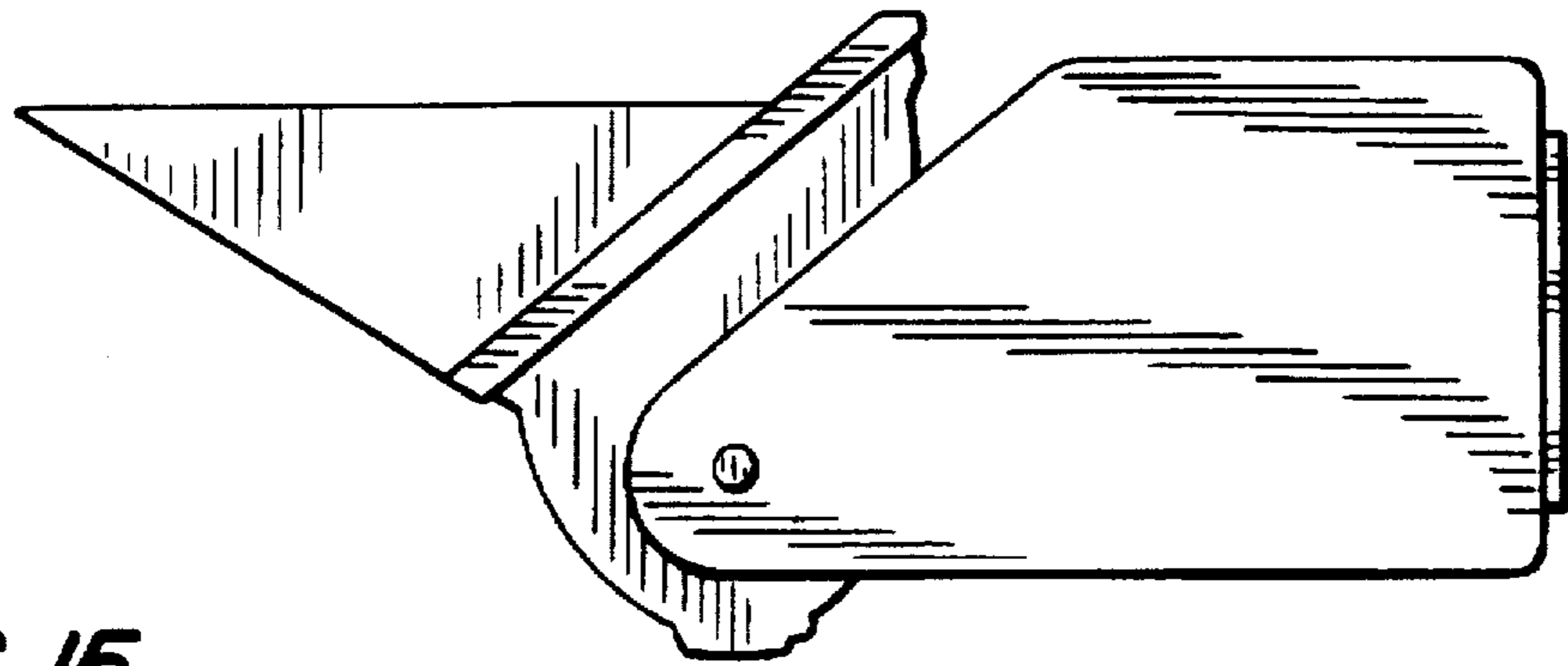
*FIG.13*



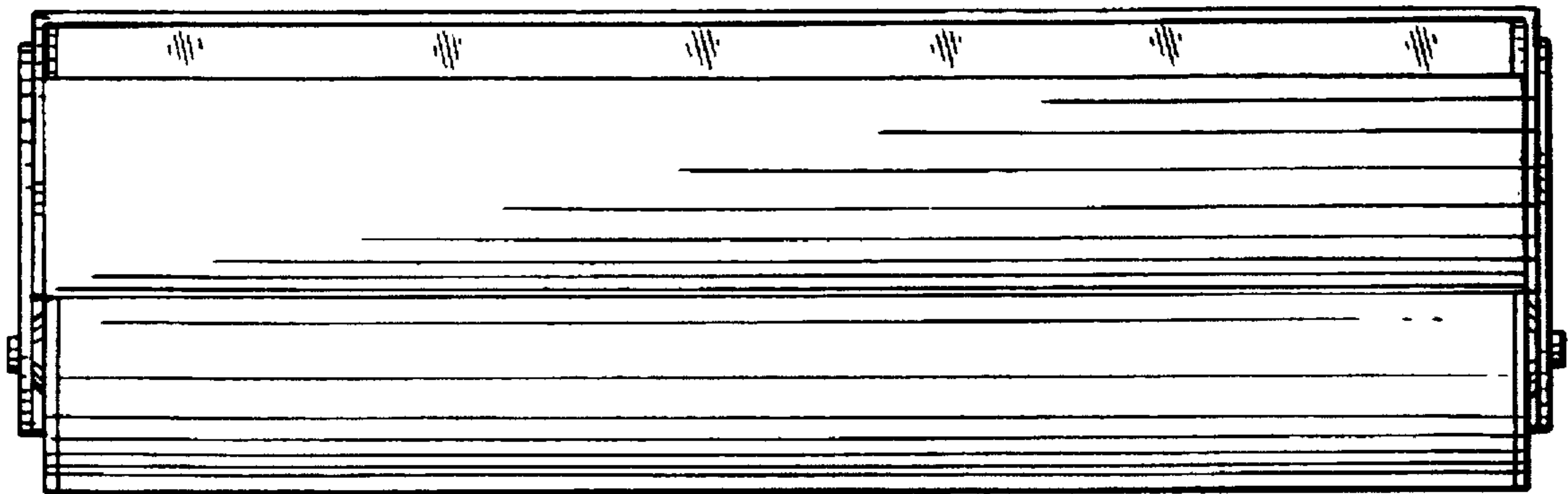
*FIG.14*





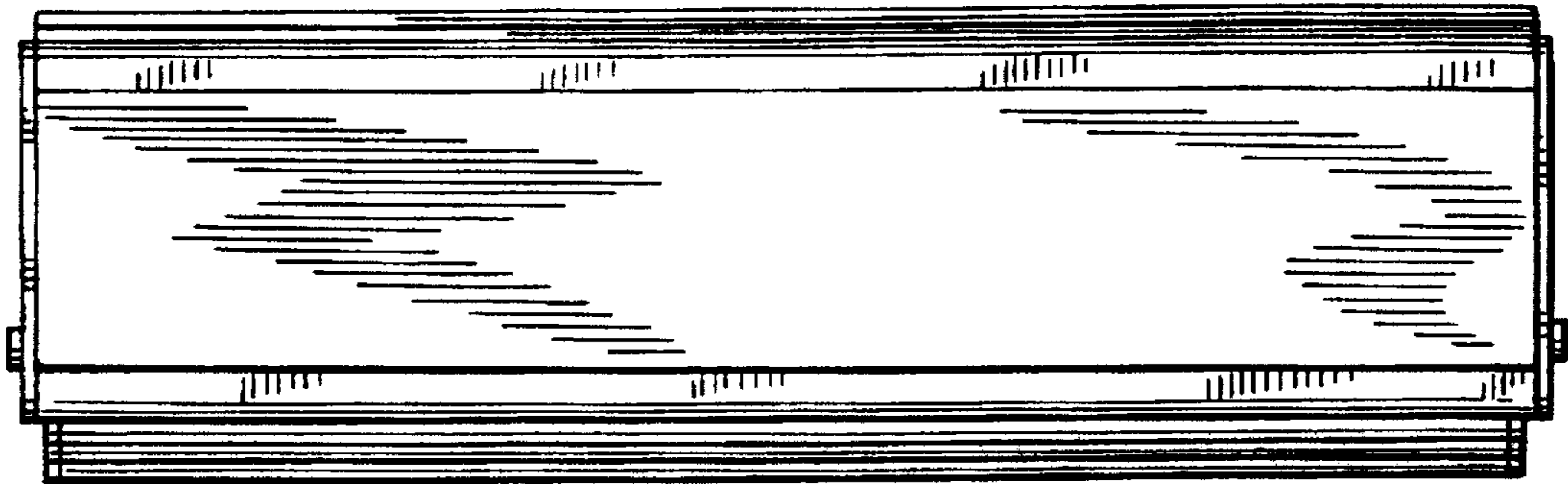


*FIG. 15*



*FIG. 16*

*FIG.17*



*FIG.18*

