



US00D390989S

United States Patent [19]
Zeller

[11] **Patent Number:** **Des. 390,989**
[45] **Date of Patent:** ****Feb. 17, 1998**

[54] **PORTABLE BOOKLIGHT**

[76] **Inventor:** **Noel E. Zeller, c/o Zelco Industries, Inc. 630 S. Columbus Ave., Mount Vernon, N.Y. 10551-4445**

[**] **Term:** **14 Years**

[21] **Appl. No.:** **55,648**

[22] **Filed:** **Jun. 10, 1996**

[51] **LOC (6) Cl.** **26-05**

[52] **U.S. Cl.** **D26/60; D26/64**

[58] **Field of Search** **D26/60-66; 362/98, 362/99, 191, 396, 269, 275, 287, 410, 411, 413, 414, 418, 419, 428**

[56] **References Cited**

U.S. PATENT DOCUMENTS

D. 271,526 11/1983 Zeller D26/60
D. 282,587 2/1986 Shwisha D26/60

D. 290,519 6/1987 Kuo D26/60
5,280,416 1/1994 Hartley et al. 362/287 X

Primary Examiner—Susan J. Lucas
Attorney, Agent, or Firm—Donald S. Dowden

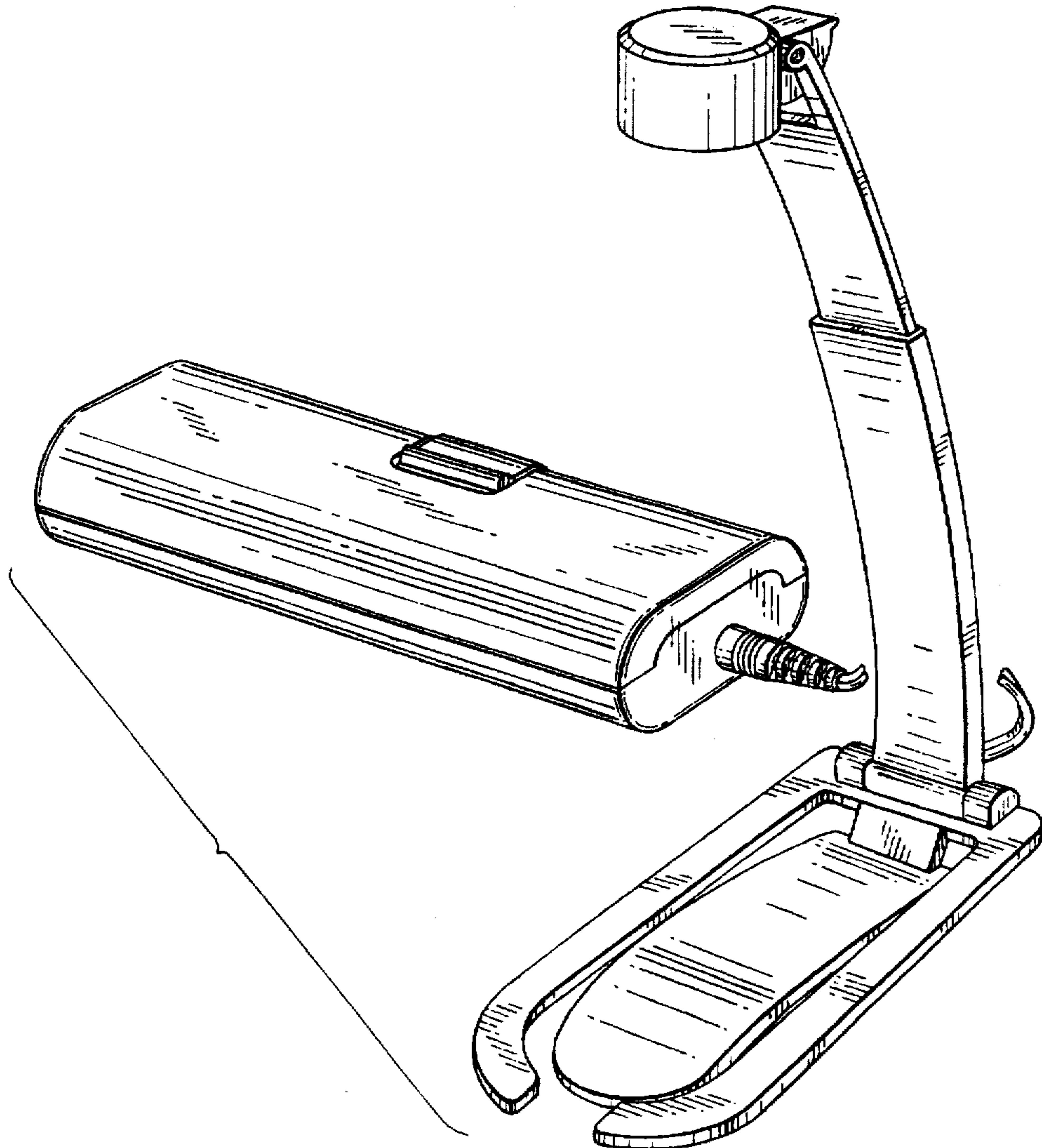
[57] **CLAIM**

The ornamental design for a portable booklight, as shown.

DESCRIPTION

FIG. 1 is a perspective view showing my new design;
FIG. 2 is a front view thereof;
FIG. 3 is a right side view thereof;
FIG. 4 is a left side view thereof;
FIG. 5 is a top view thereof;
FIG. 6 is a rear view thereof;
FIG. 7 is a bottom view thereof;
FIG. 8 is a folded right side view thereof; and,
FIG. 9 is a folded top view thereof.
The battery pack is omitted from FIGS. 8 and 9 for convenience of illustration.

1 Claim, 8 Drawing Sheets



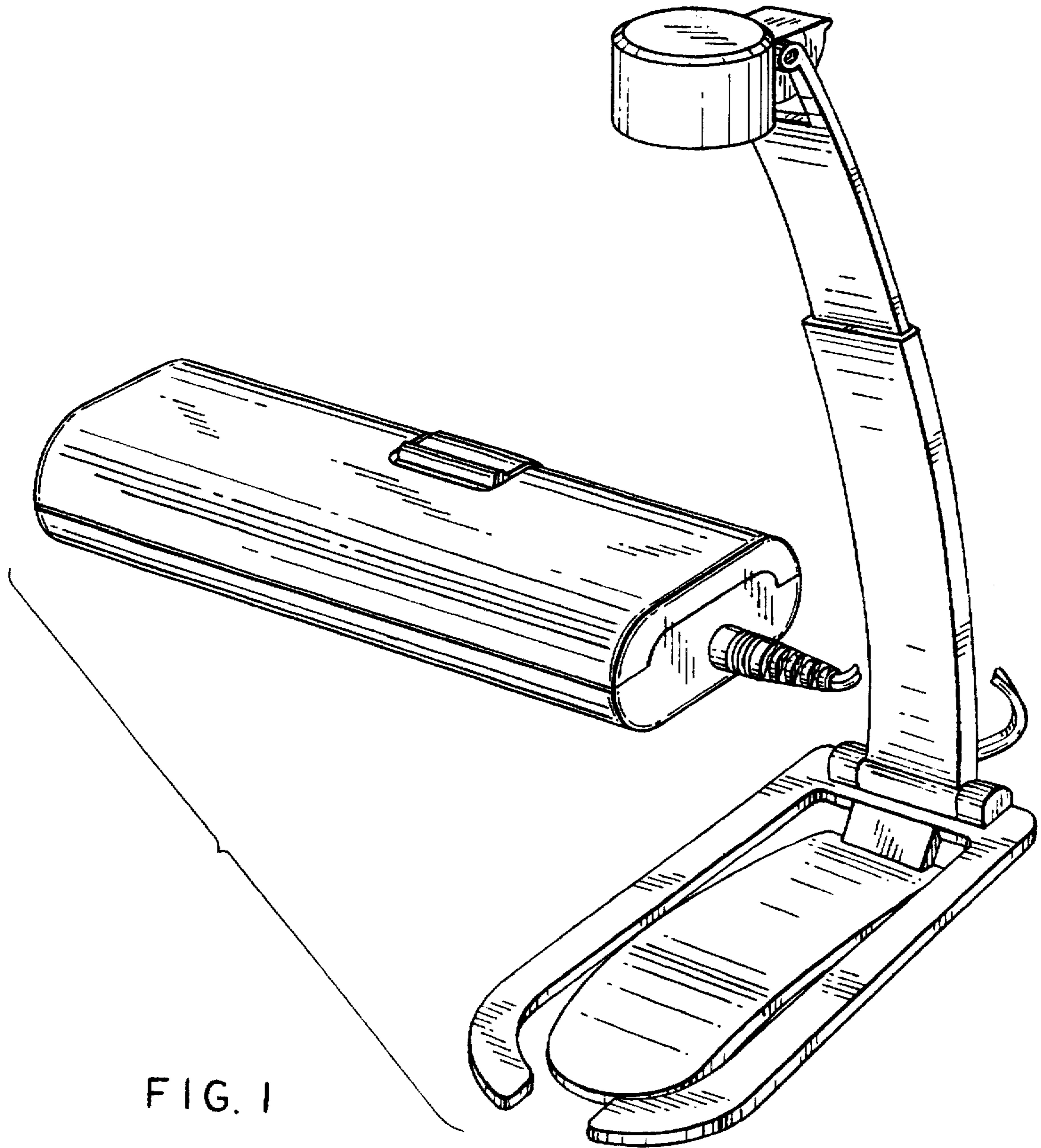


FIG. 1

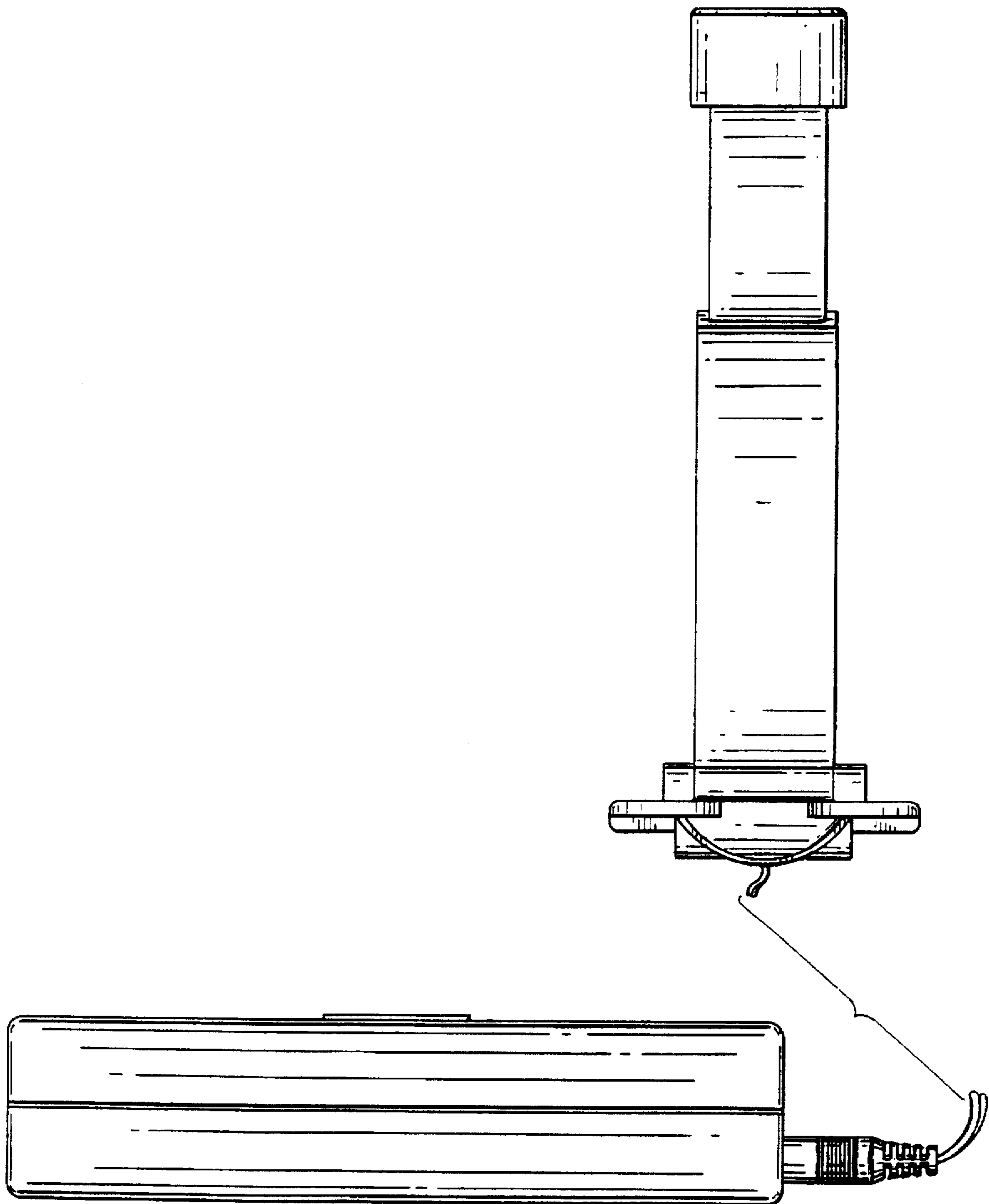


FIG. 2

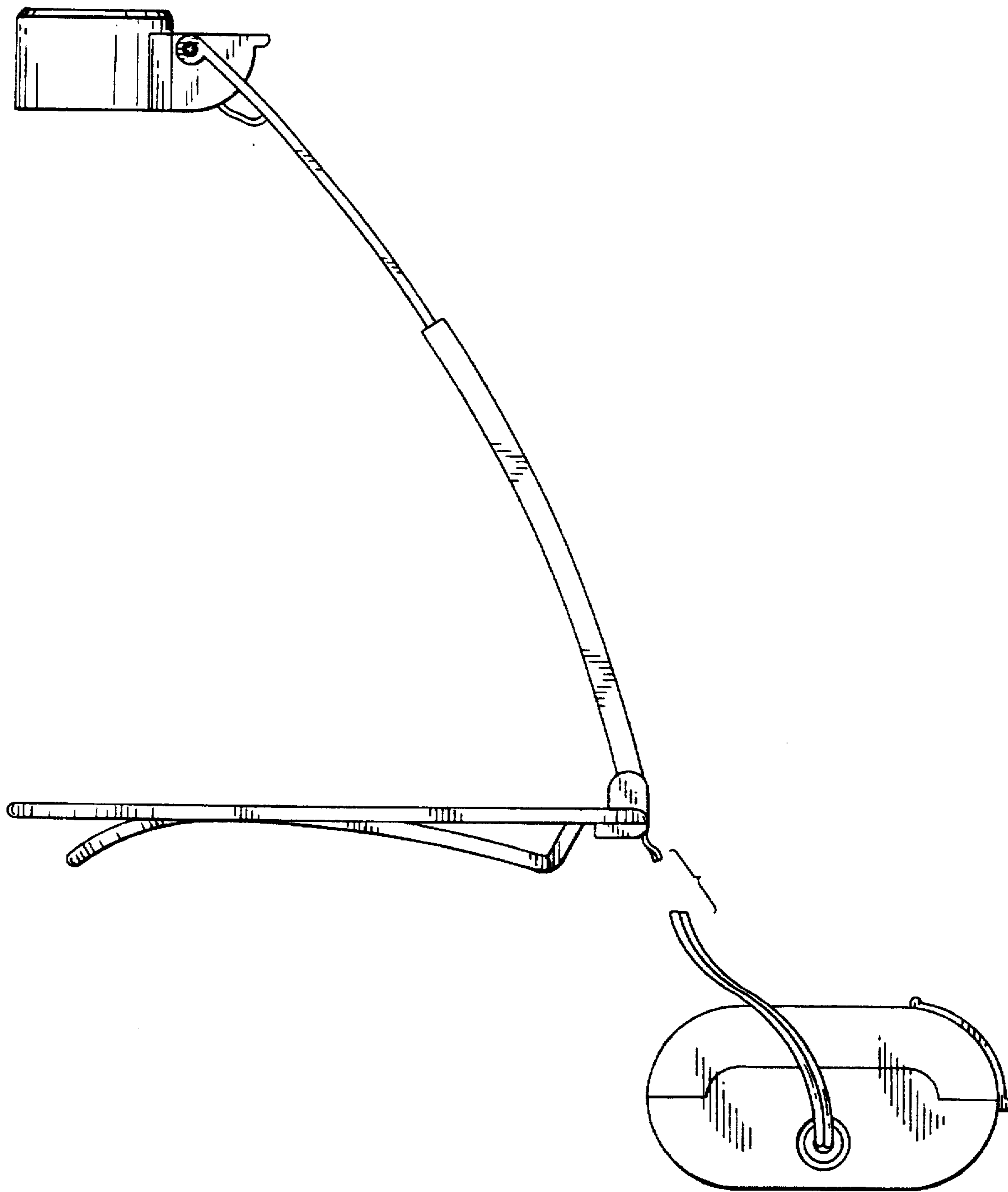


FIG. 3

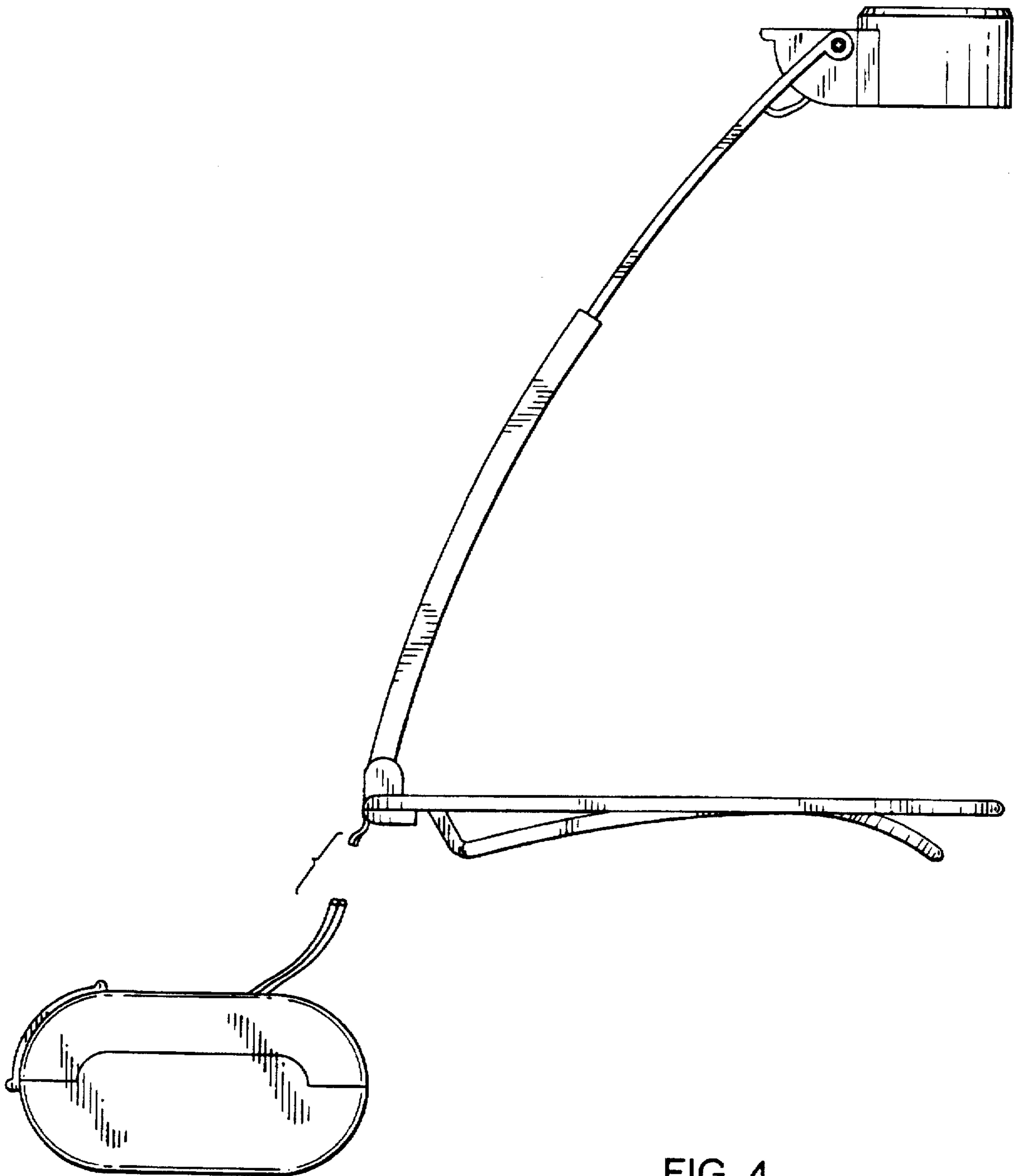


FIG. 4

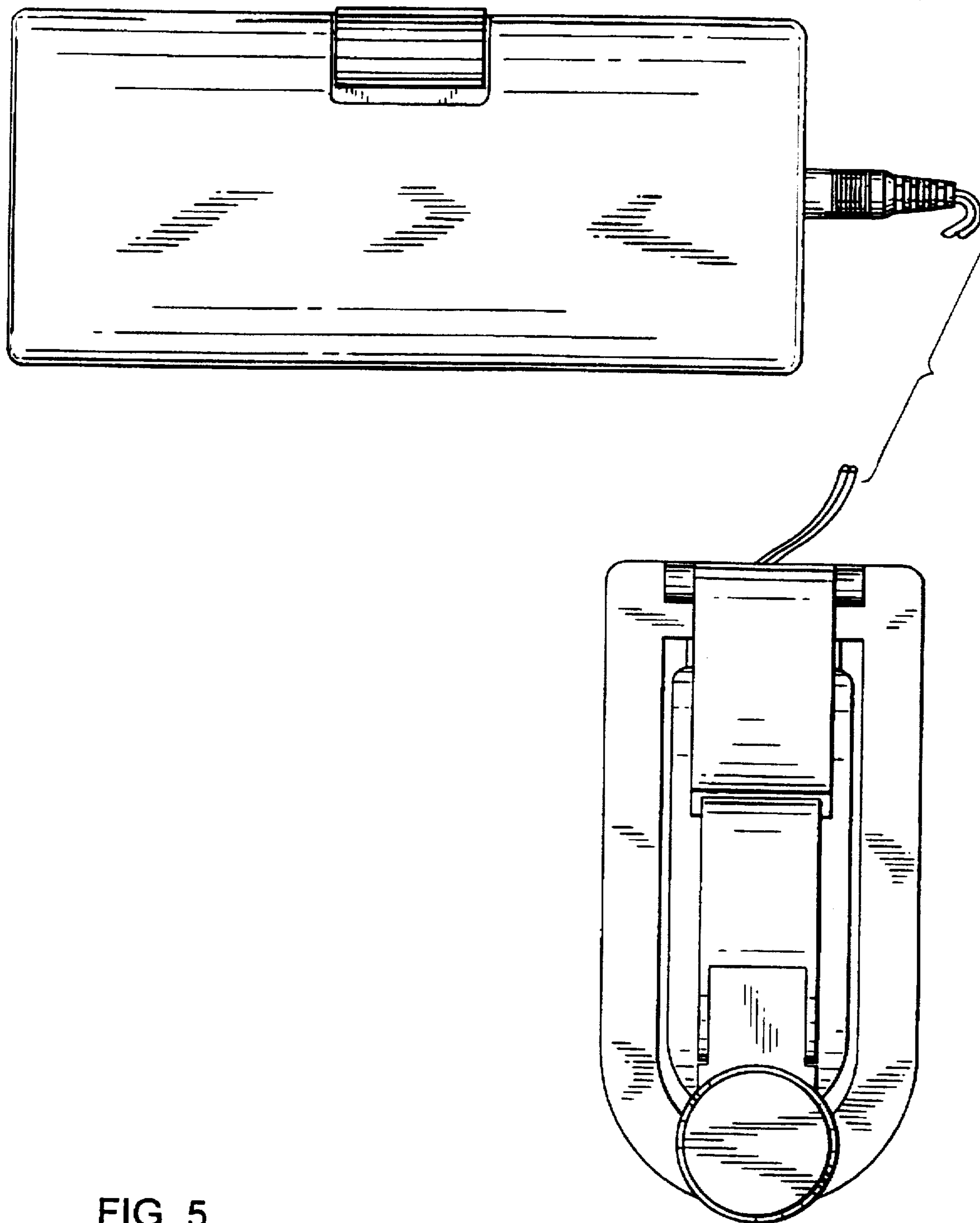


FIG. 5

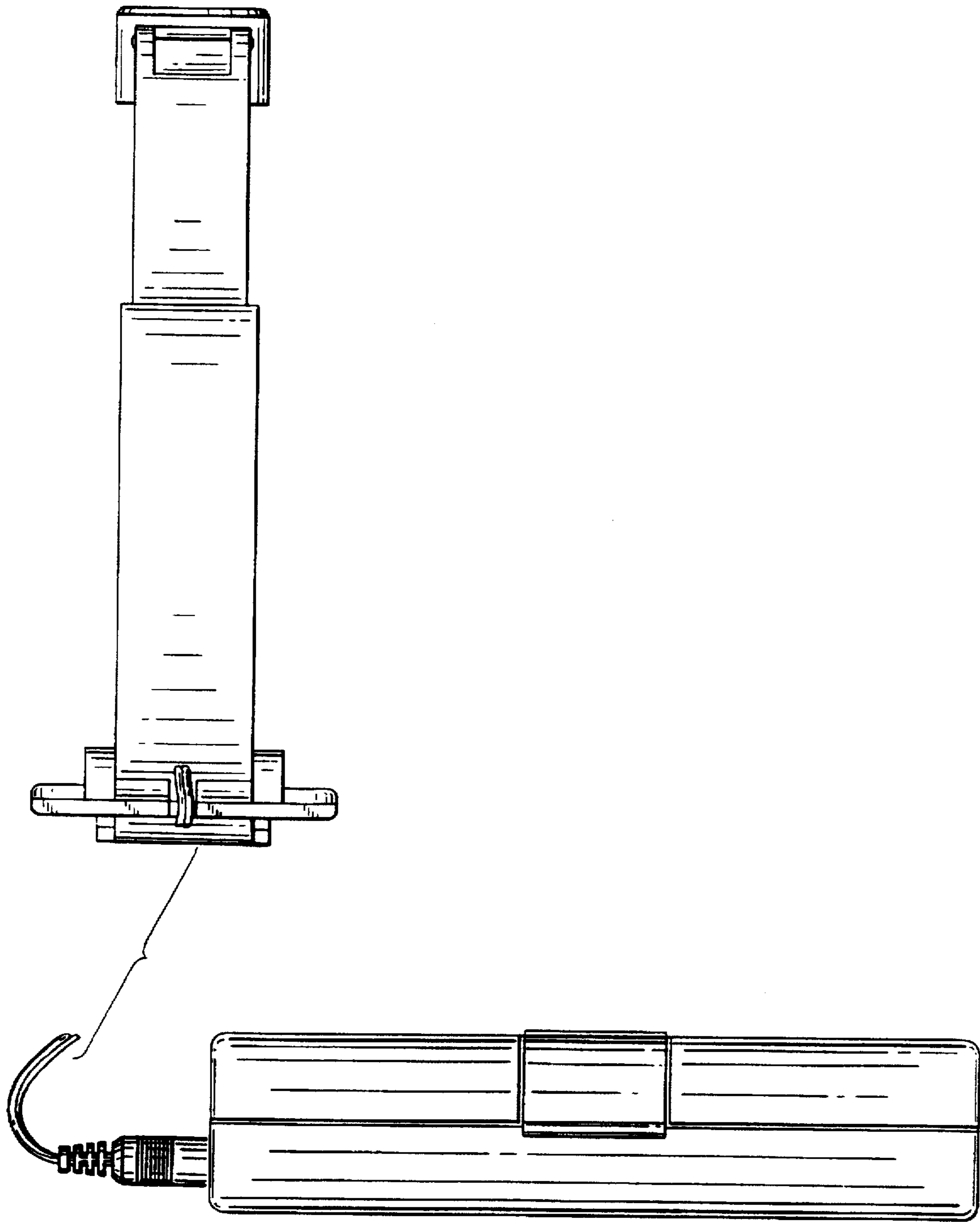


FIG. 6

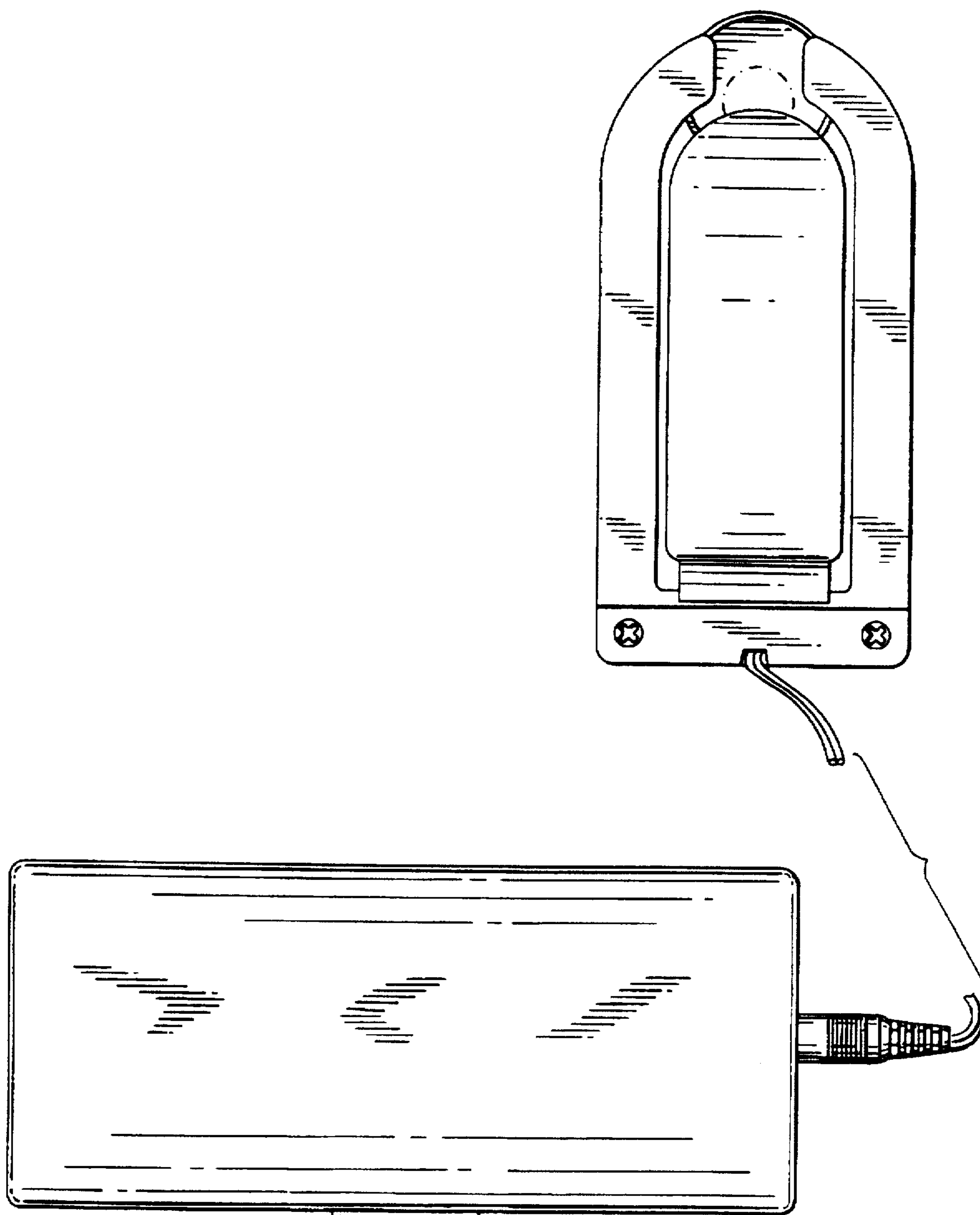


FIG. 7

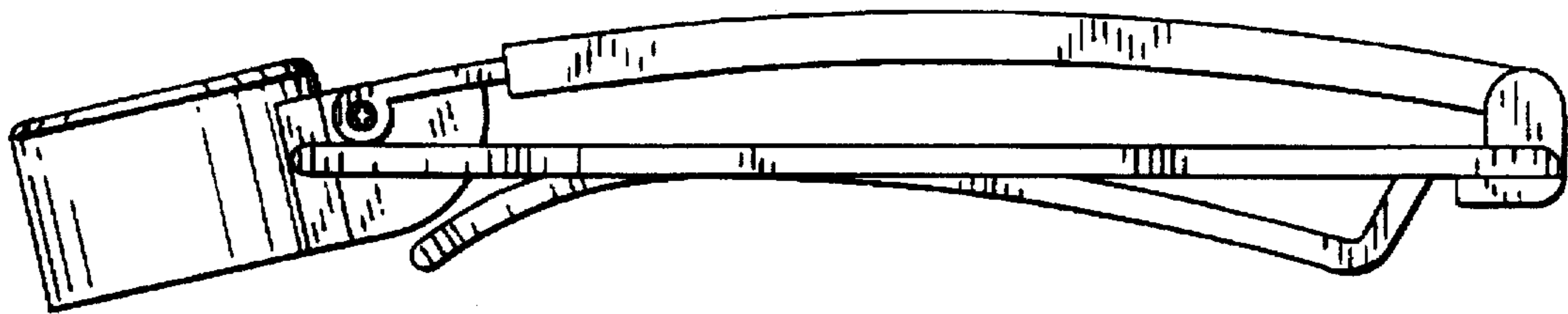


FIG. 8

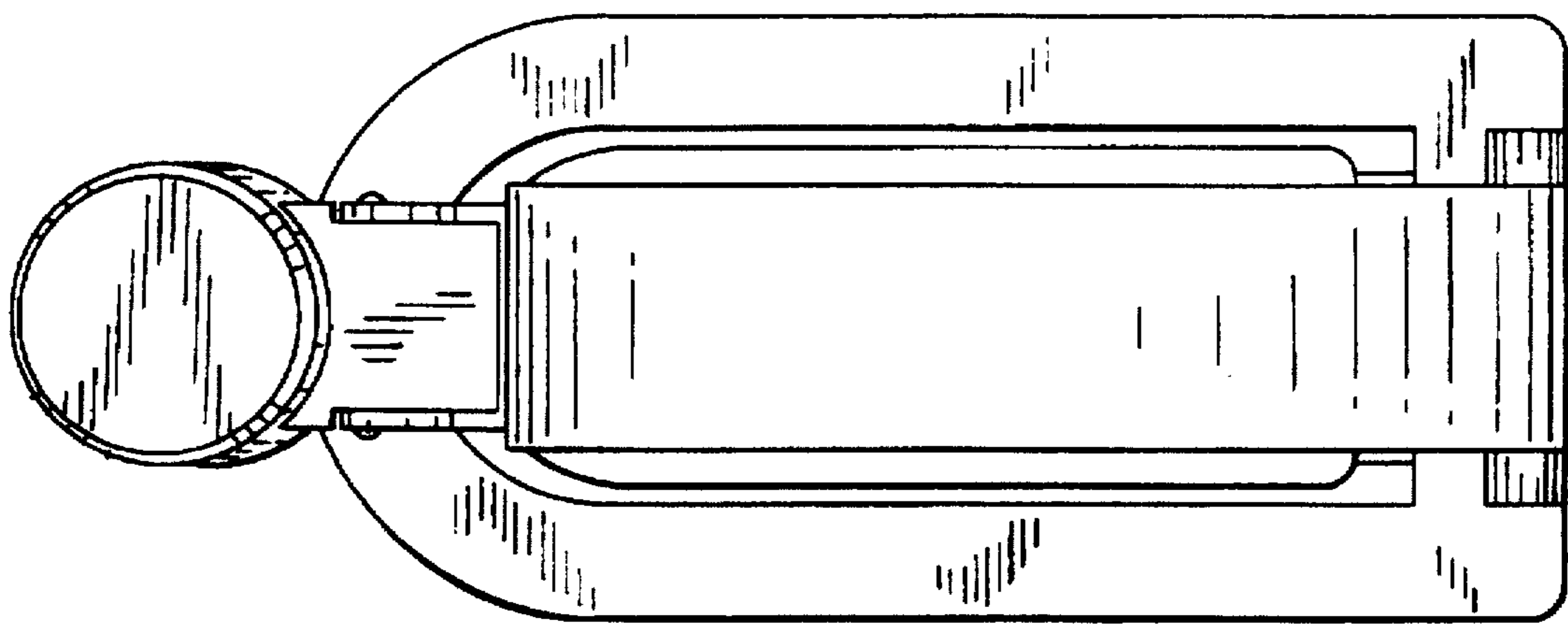


FIG. 9