



US00D390988S

United States Patent [19] Yeh

[11] Patent Number: **Des. 390,988**

[45] Date of Patent: ****Feb. 17, 1998**

[54] **COMBINATION DESK LAMP AND DISPLAY UNITS**

[76] Inventor: **John Yeh**, 660 S. Aberdeen, Anaheim Hills, Calif. 92807

[**] Term: **14 Years**

[21] Appl. No.: **60,702**

[22] Filed: **Oct. 4, 1996**

[51] LOC (6) Cl. **26-05**

[52] U.S. Cl. **D26/51; D26/54; D26/110; D26/111**

[58] Field of Search **D26/93, 102-112, D26/51, 56; 362/410-414; D10/1, 2, 5; 368/276, 277, 285, 10, 11; D6/308, 462**

[56] **References Cited**

U.S. PATENT DOCUMENTS

D. 64,976 6/1924 Hudson D26/65
D. 90,222 7/1933 Allen D26/56

D. 179,096 10/1956 Simon D26/56
1,071,725 9/1913 Franks D26/56 X
3,062,491 11/1962 Green D10/1 X

Primary Examiner—Susan J. Lucas
Attorney, Agent, or Firm—Francis X. LoJacono; Peter Jon Gluck

[57] **CLAIM**

The ornamental design for a combination desk lamp and display units, as shown and described.

DESCRIPTION

FIG. 1 is a front-elevational view of a combination desk lamp and display units, showing my new design thereof; FIG. 2 is a left side-elevational view thereof; FIG. 3 is a right side-elevational view thereof; FIG. 4 is a top plan view thereof; FIG. 5 is a rear-elevational view thereof; and, FIG. 6 is a bottom plan view thereof.

1 Claim, 1 Drawing Sheet

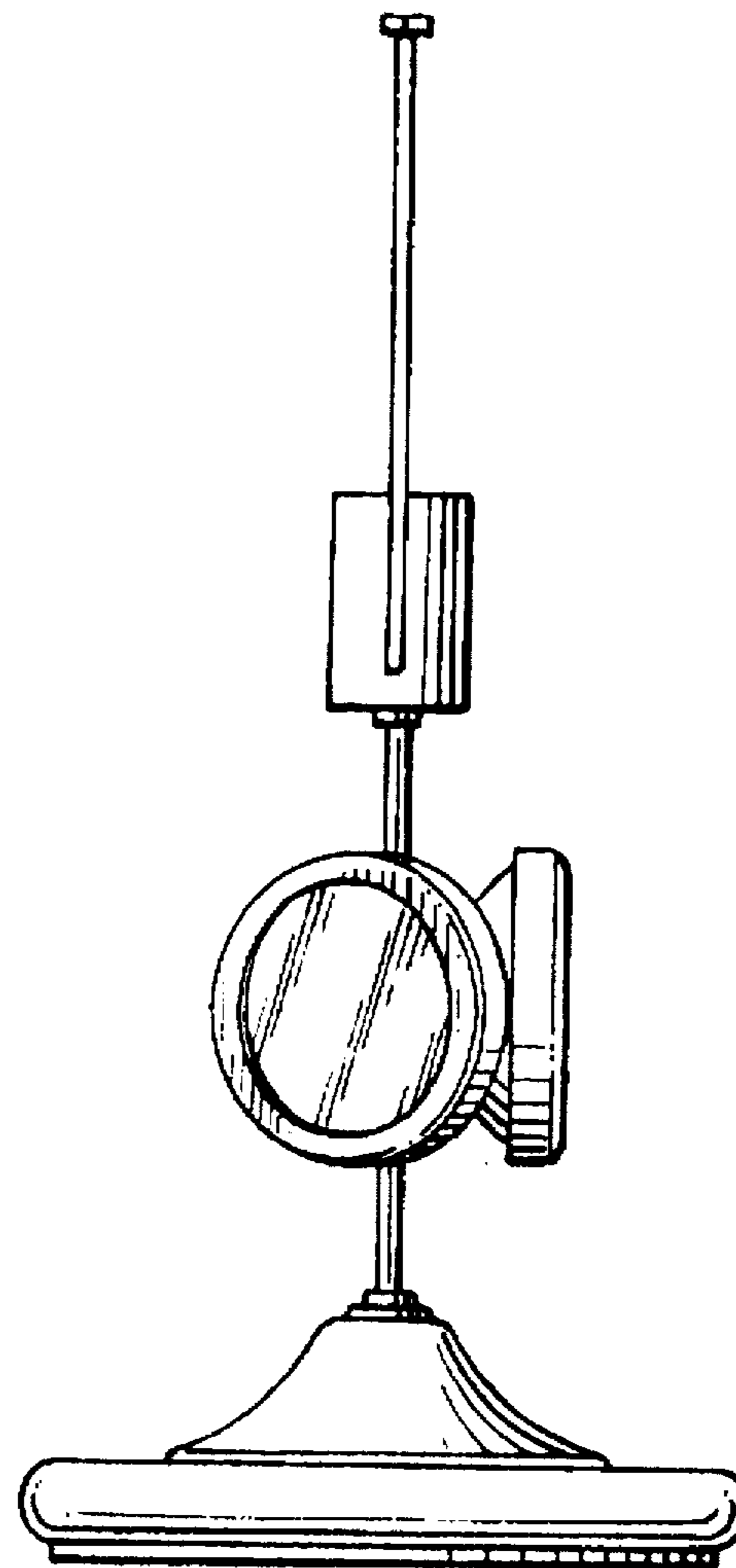
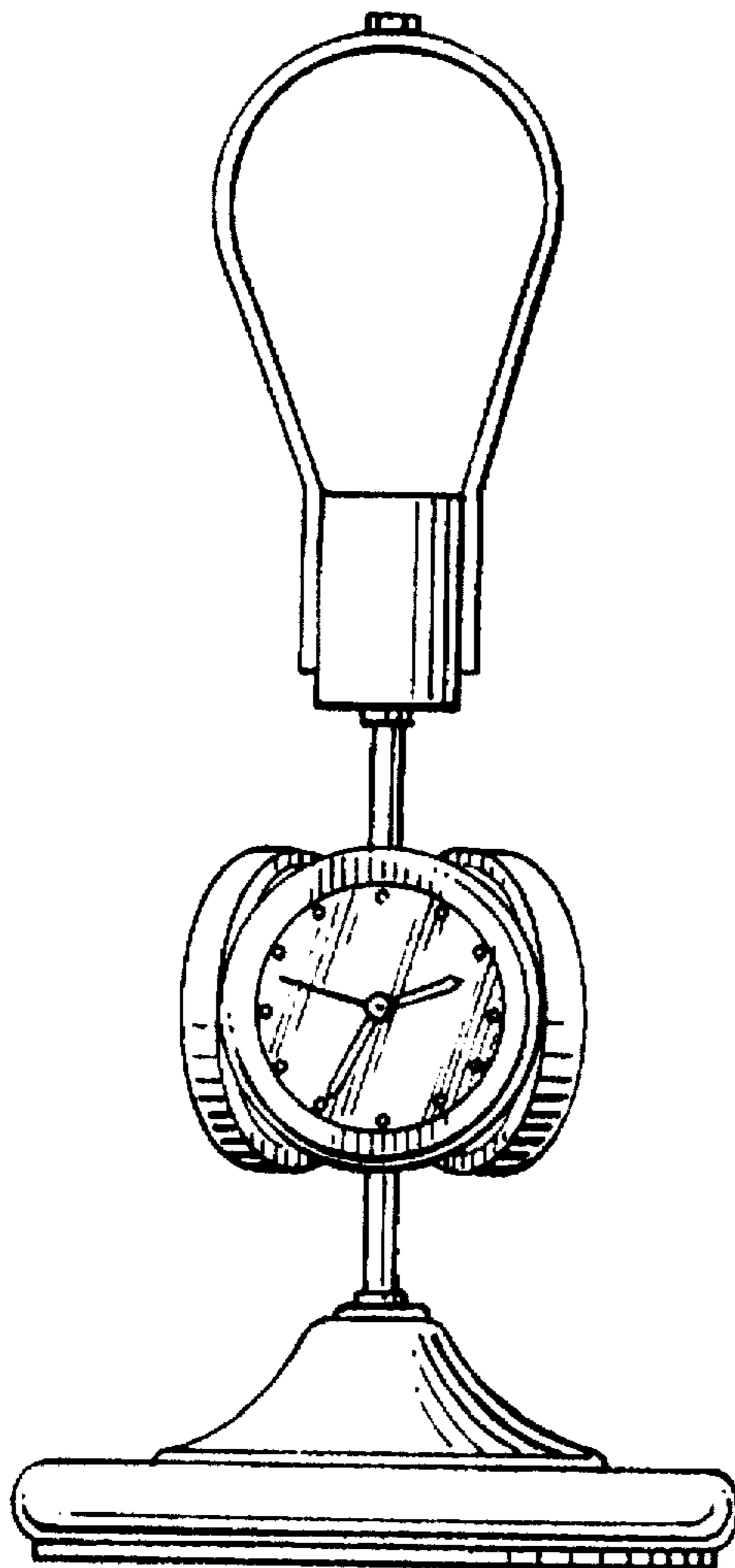


FIG. 1

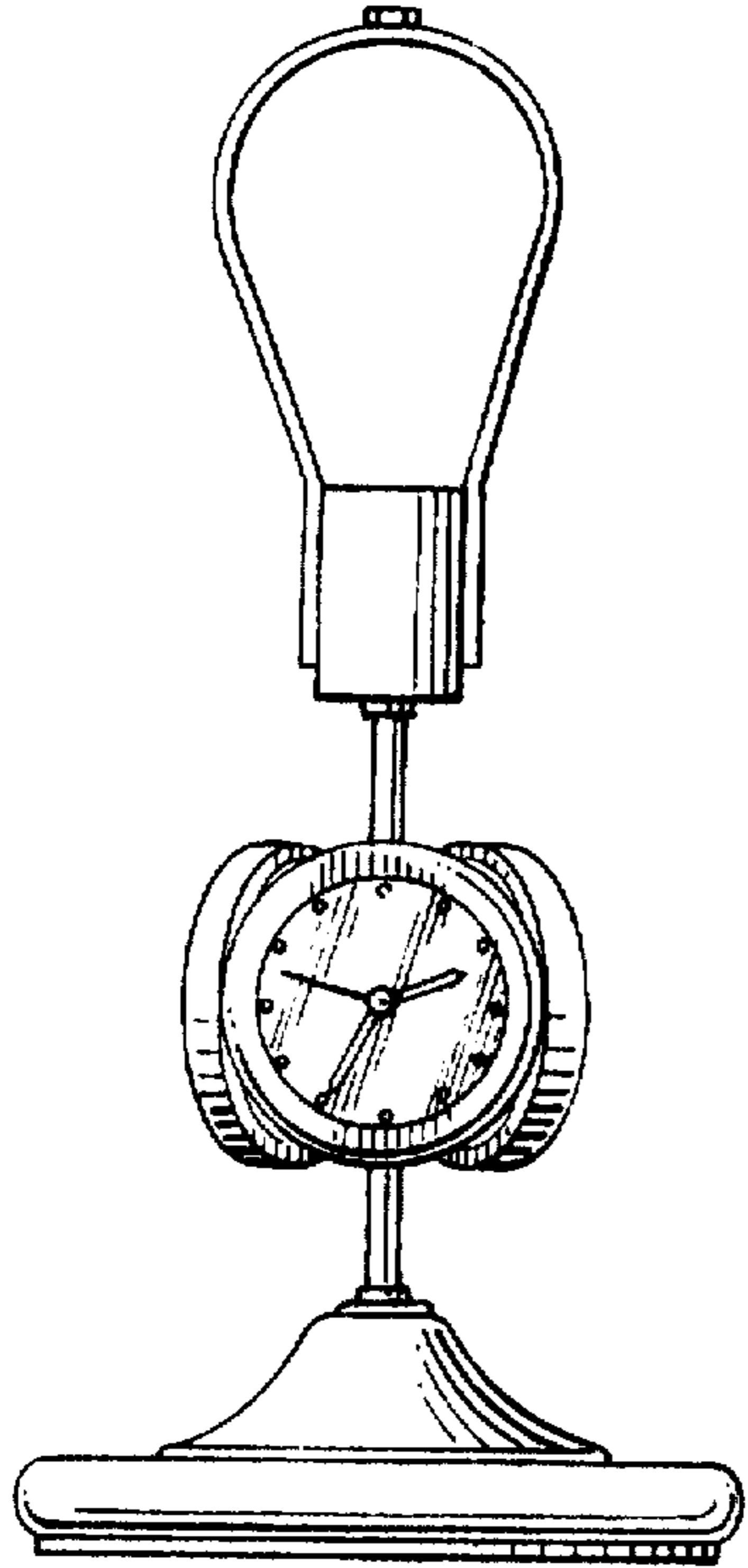


FIG. 2

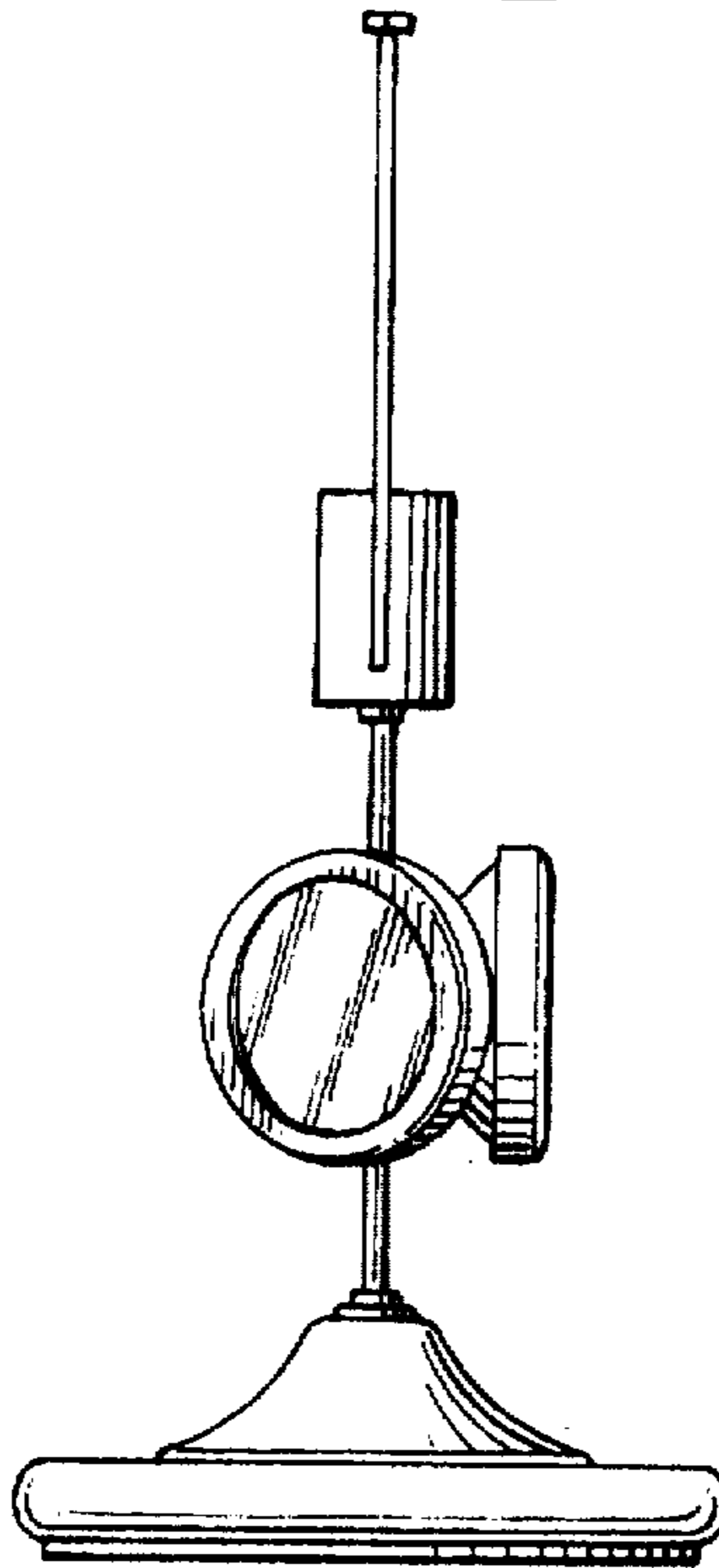


FIG. 3

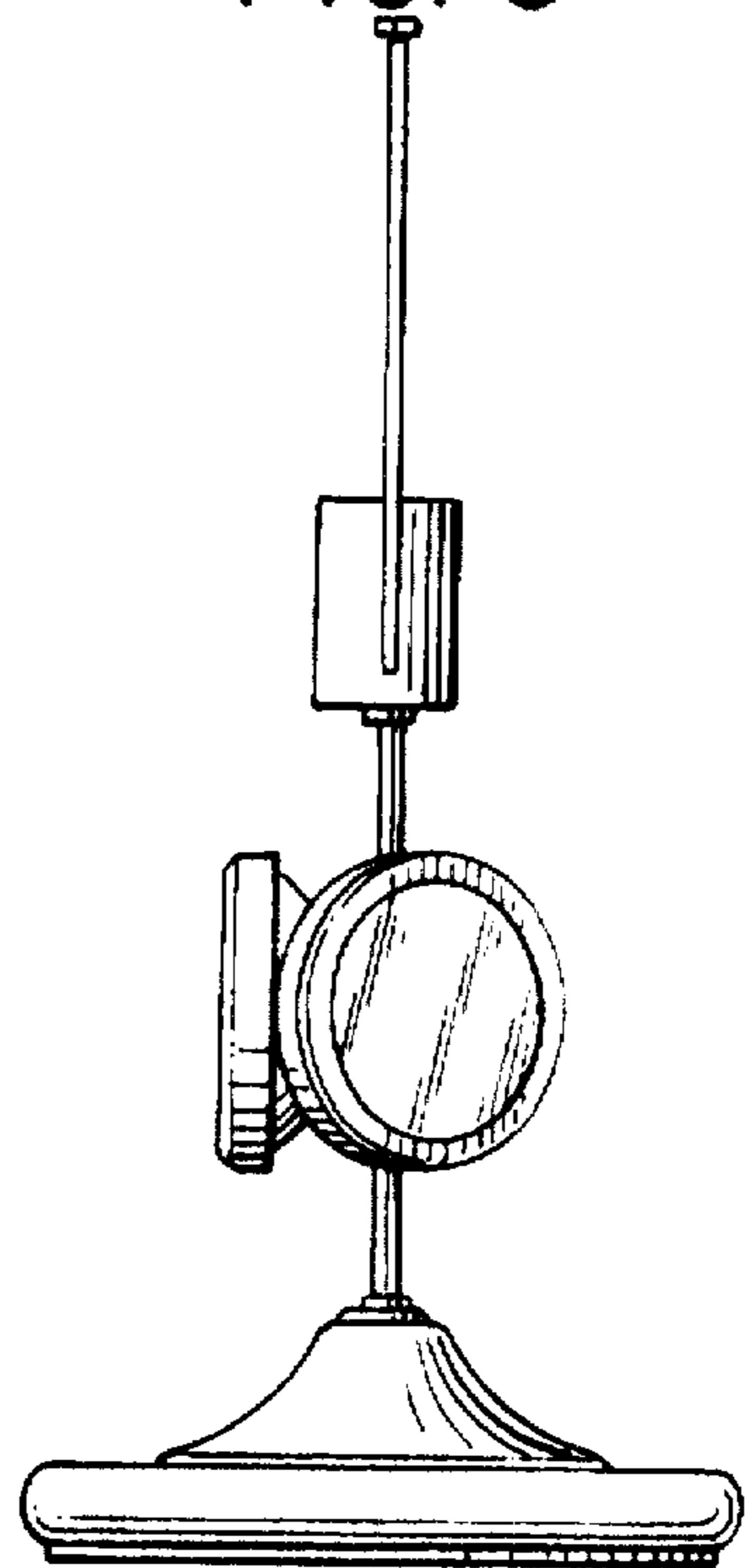


FIG. 4



FIG. 5

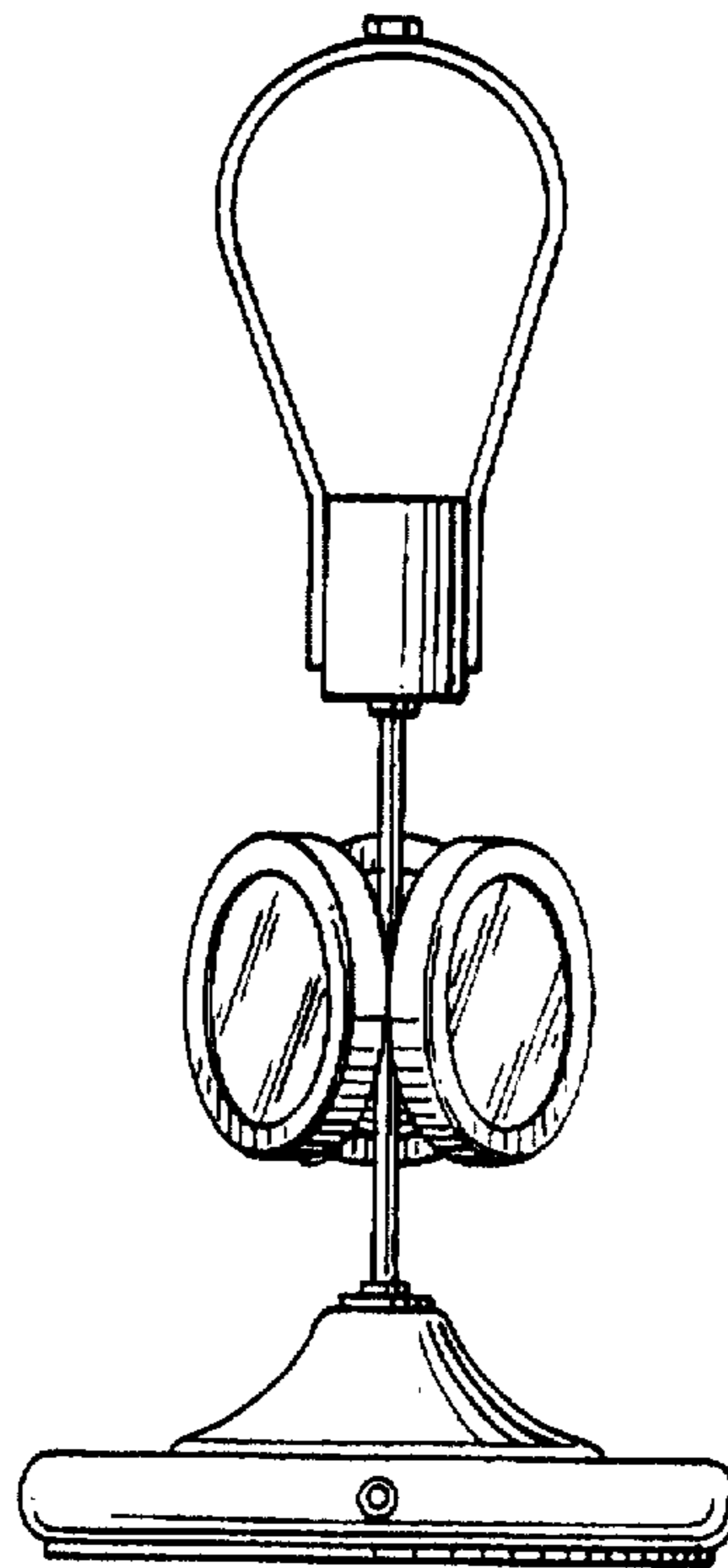


FIG. 6

