



US00D390985S

# United States Patent [19]

Shiau

[11] Patent Number: **Des. 390,985**

[45] Date of Patent: **\*\*Feb. 17, 1998**

[54] **FLASHLIGHT**

[76] Inventor: **Shoei-Shuh Shiau**, No. 10, Alley 1, Lane 551, Sec. 1, Wan-Shou Rd., Guei-Shan Hsiang, Tao-Yuan Hsien, Taiwan

[\*\*] Term: **14 Years**

[21] Appl. No.: **60,947**

[22] Filed: **Oct. 11, 1996**

[51] LOC (6) Cl. .... **26-02**

[52] U.S. Cl. .... **D26/43**

[58] Field of Search ..... D26/37-50, 60, D26/62; 362/157, 158, 183, 184, 188, 189, 191, 198, 199, 202, 362, 396

[56] **References Cited**

**U.S. PATENT DOCUMENTS**

- D. 341,220 11/1993 Eagan ..... D26/43
- D. 359,573 6/1995 Citronowicz ..... D26/43
- D. 360,480 7/1995 Hon ..... D26/43
- D. 362,313 9/1995 Zeller ..... D26/43

- D. 370,542 6/1996 Santarsiero ..... D26/43
- D. 374,734 10/1996 Esposito ..... D26/43
- 3,111,277 11/1963 Grimsley ..... D26/43

*Primary Examiner*—Marcus A. Jackson  
*Attorney, Agent, or Firm*—Darby & Darby

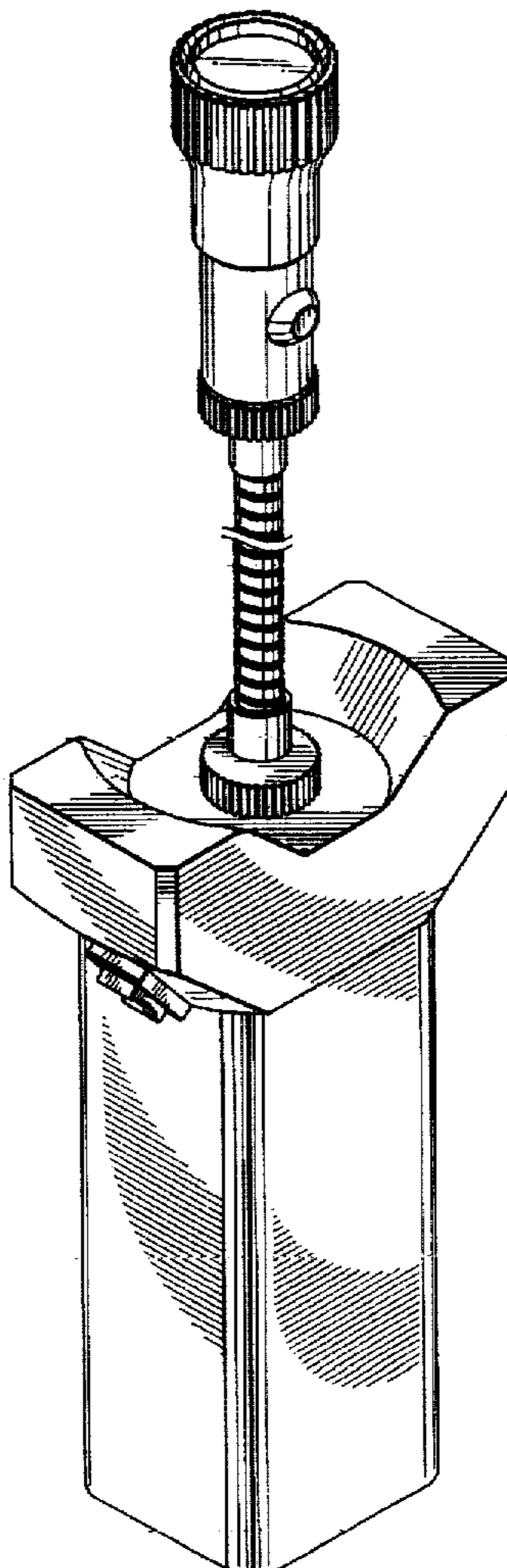
[57] **CLAIM**

The ornamental design for flashlight, as shown and described.

**DESCRIPTION**

FIG. 1 is a perspective view of flashlight showing my new design, with the flexible tubing broken away to indicate indeterminate length;  
 FIG. 2 is a front elevational view thereof;  
 FIG. 3 is a rear elevational view thereof;  
 FIG. 4 is a left side elevational view thereof;  
 FIG. 5 is a right side elevational view thereof;  
 FIG. 6 is a top plan view thereof;  
 FIG. 7 is a bottom plan view thereof;  
 FIG. 8 is a perspective view in use; and,  
 FIG. 9 is another perspective view in use.

**1 Claim, 6 Drawing Sheets**



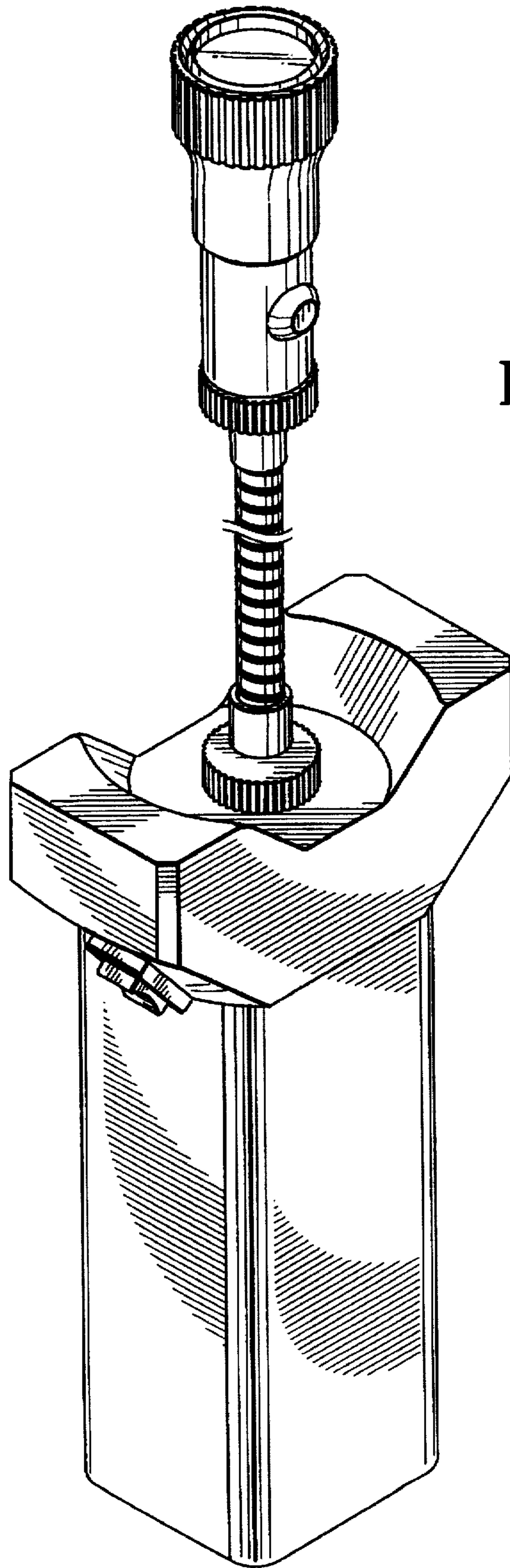
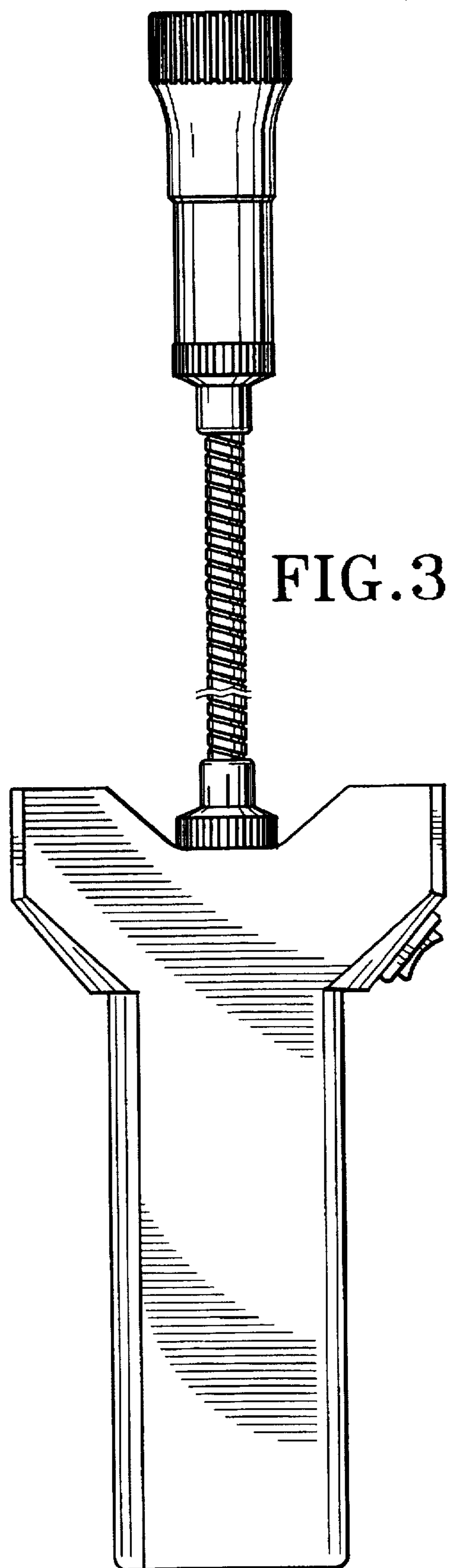
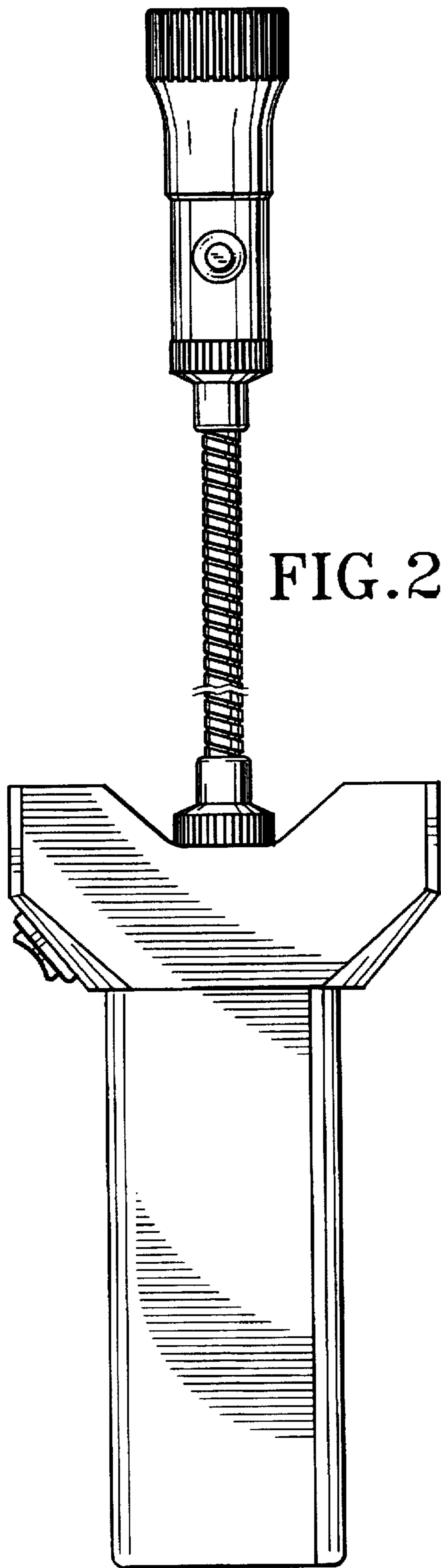
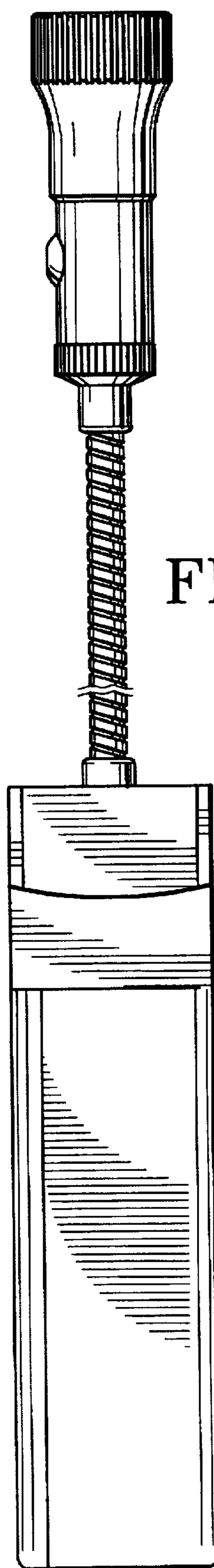
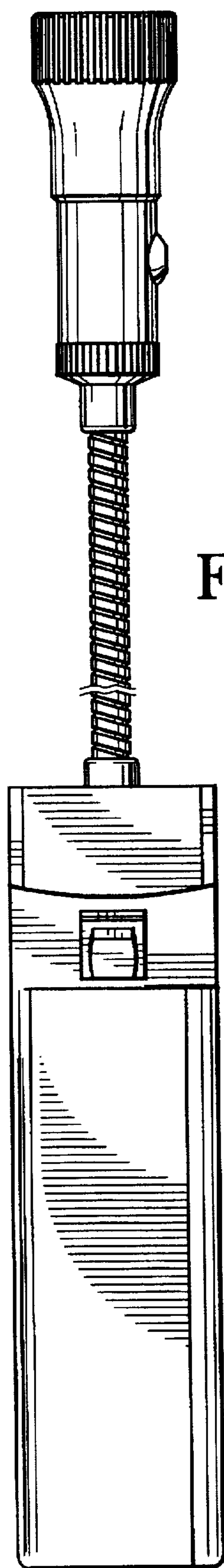


FIG. 1





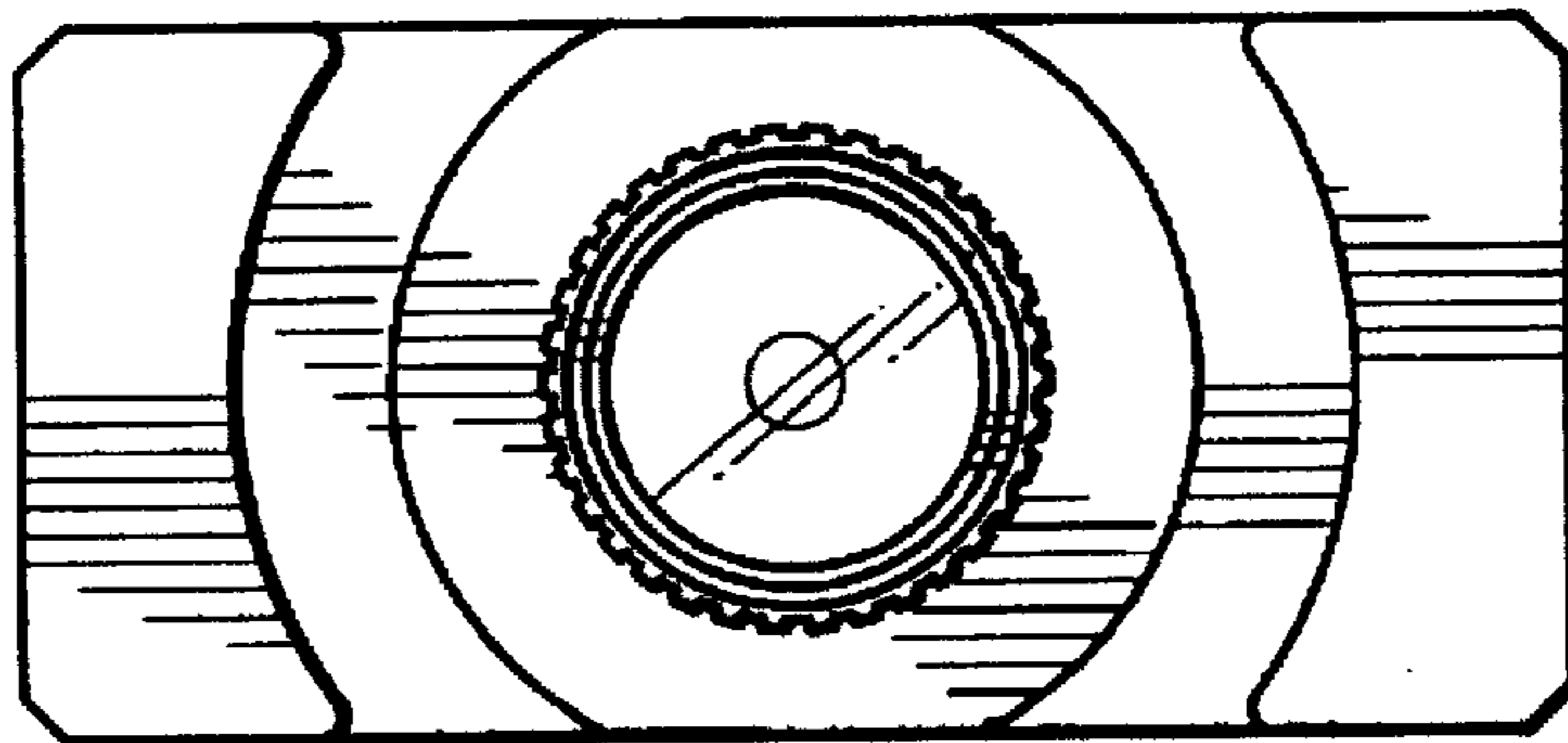


FIG. 6

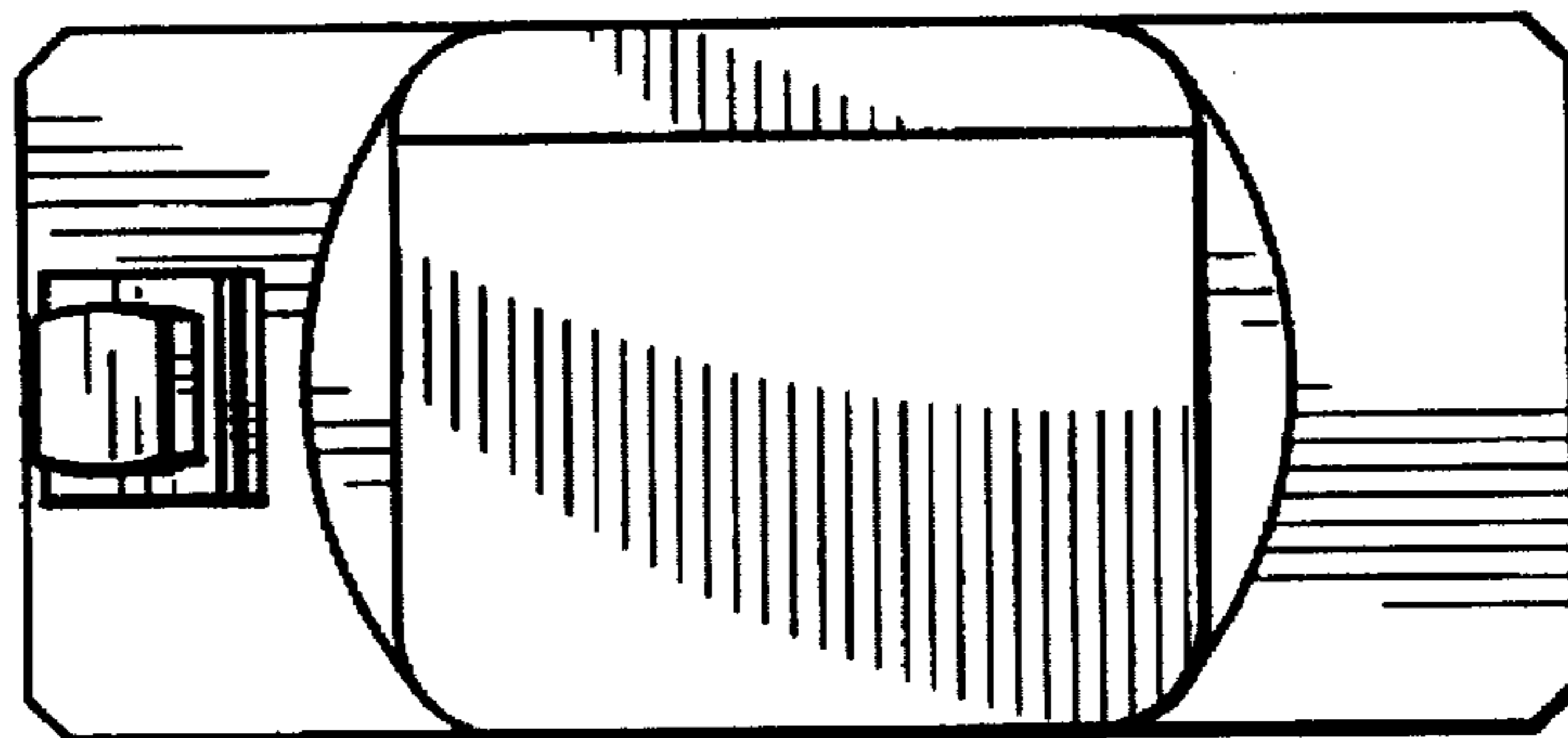


FIG. 7

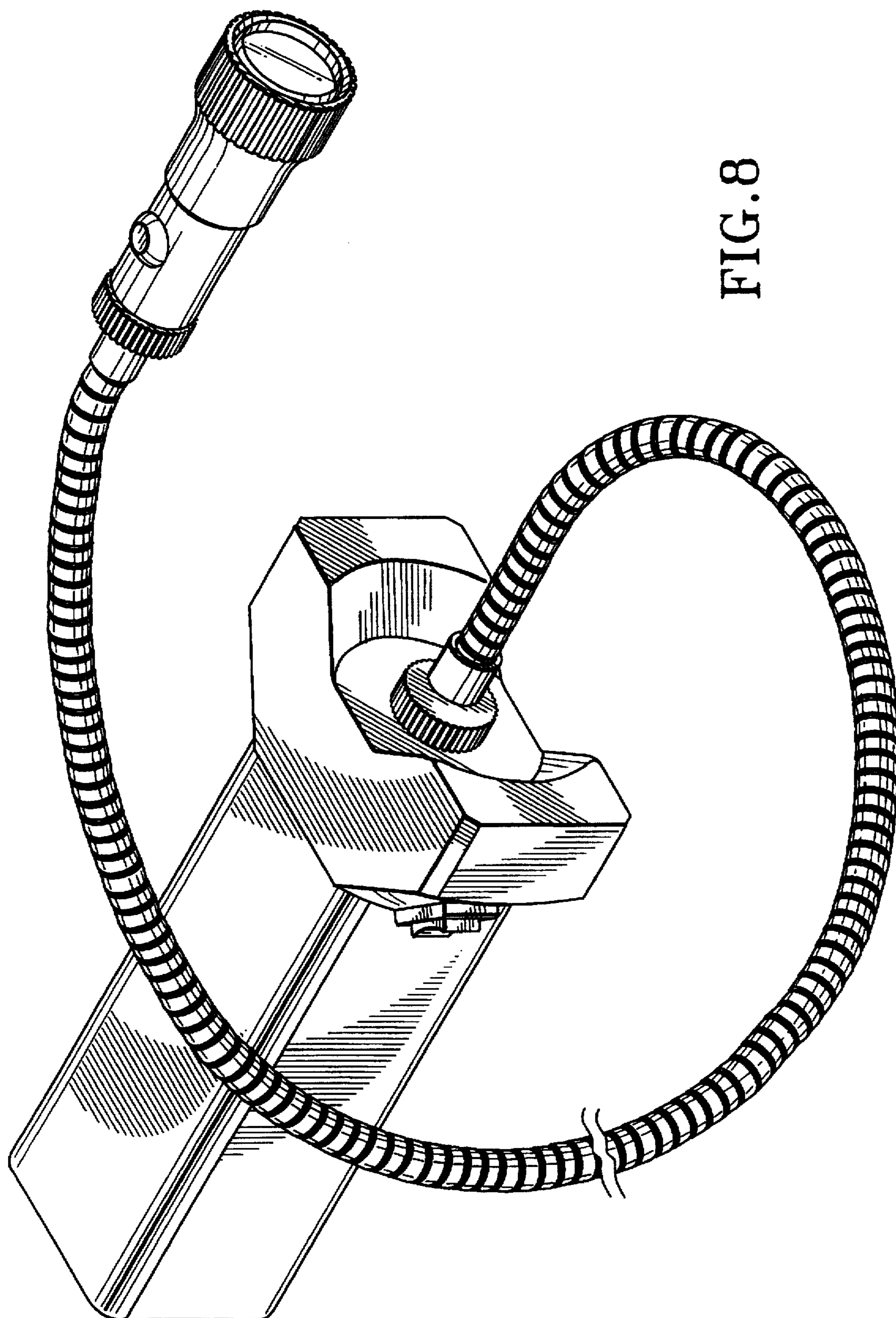


FIG. 8

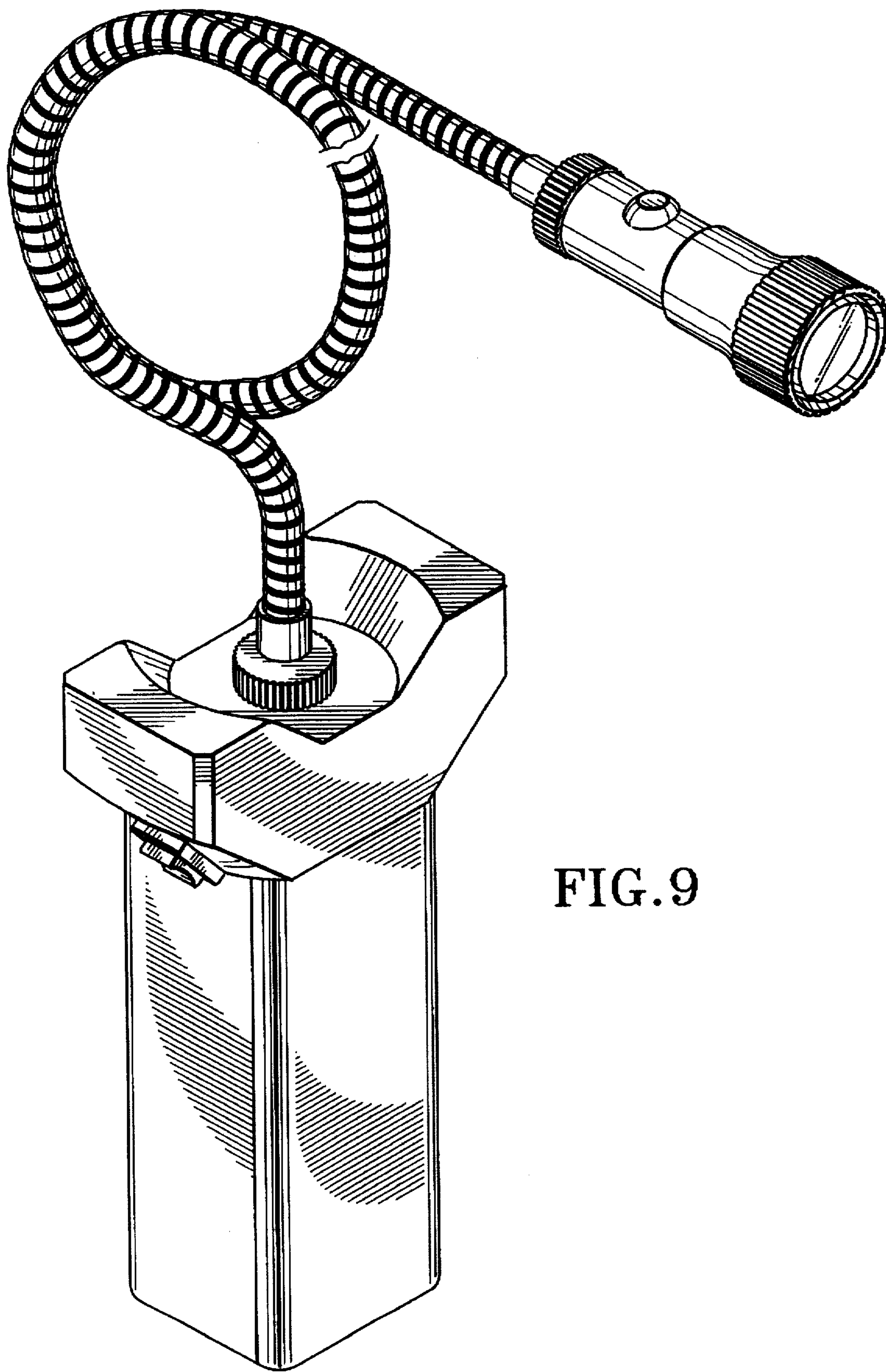


FIG. 9