



US00D390982S

United States Patent [19] Wan

[11] Patent Number: **Des. 390,982**

[45] Date of Patent: ****Feb. 17, 1998**

[54] **LAMP**

[75] Inventor: **Albert Yiu Kwong Wan, Hong Kong, Hong Kong**

[73] Assignee: **Fee Tat Holdings (H.K.) Limited, Hong Kong, Hong Kong**

[**] Term: **14 Years**

[21] Appl. No.: **53,844**

[22] Filed: **Feb. 16, 1996**

[51] LOC (6) Cl. **26-02**

[52] U.S. Cl. **D26/37**

[58] Field of Search **D26/37-50; 362/157, 362/158, 182, 183, 189, 190, 191, 199, 277, 418, 419, 427**

[56] **References Cited**

U.S. PATENT DOCUMENTS

- D. 214,752 7/1969 Zapolski D26/48
- D. 267,349 12/1982 Asano D26/37
- D. 343,917 2/1994 Yuen D26/37

Primary Examiner—Marcus A. Jackson
Attorney, Agent, or Firm—Townsend and Townsend and Crew LLP

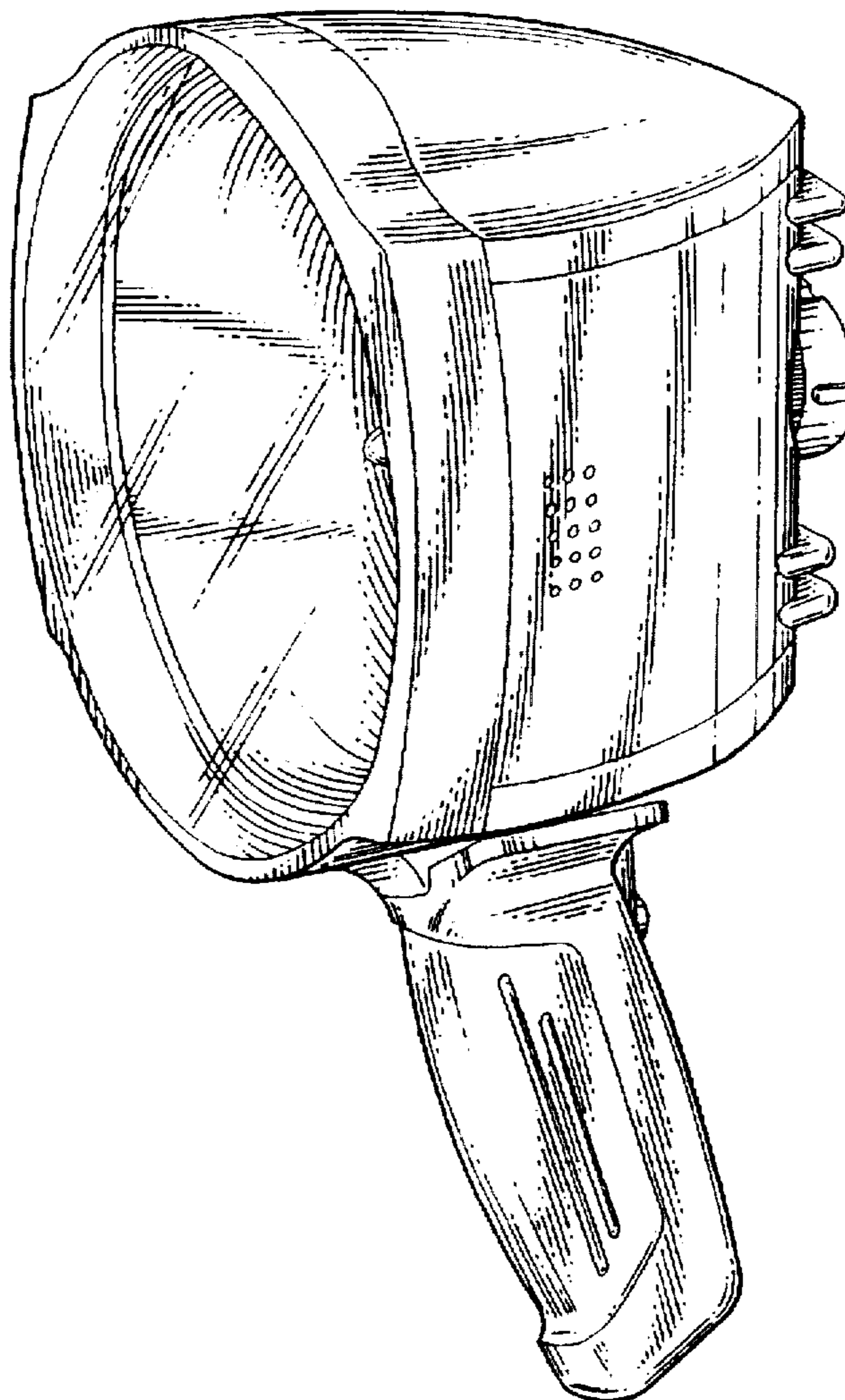
[57] **CLAIM**

The ornamental design for a lamp, as shown and described.

DESCRIPTION

FIG. 1 is a front-side elevational perspective view of a lighting device showing my new design;
 FIG. 2 is a left side elevational view thereof;
 FIG. 3 is a right elevational view thereof;
 FIG. 4 is a plan view;
 FIG. 5 is a front elevational view thereof;
 FIG. 6 is a rear elevational view thereof;
 FIG. 7 is a bottom view thereof;
 FIG. 8 is a rear perspective view thereof, with the handle portion shown in an alternate position;
 FIG. 9 is a front elevational view of the second embodiment; and,
 FIG. 10 is a left side elevational view of the embodiment, the right side elevational view being a mirror image thereof.

1 Claim, 6 Drawing Sheets



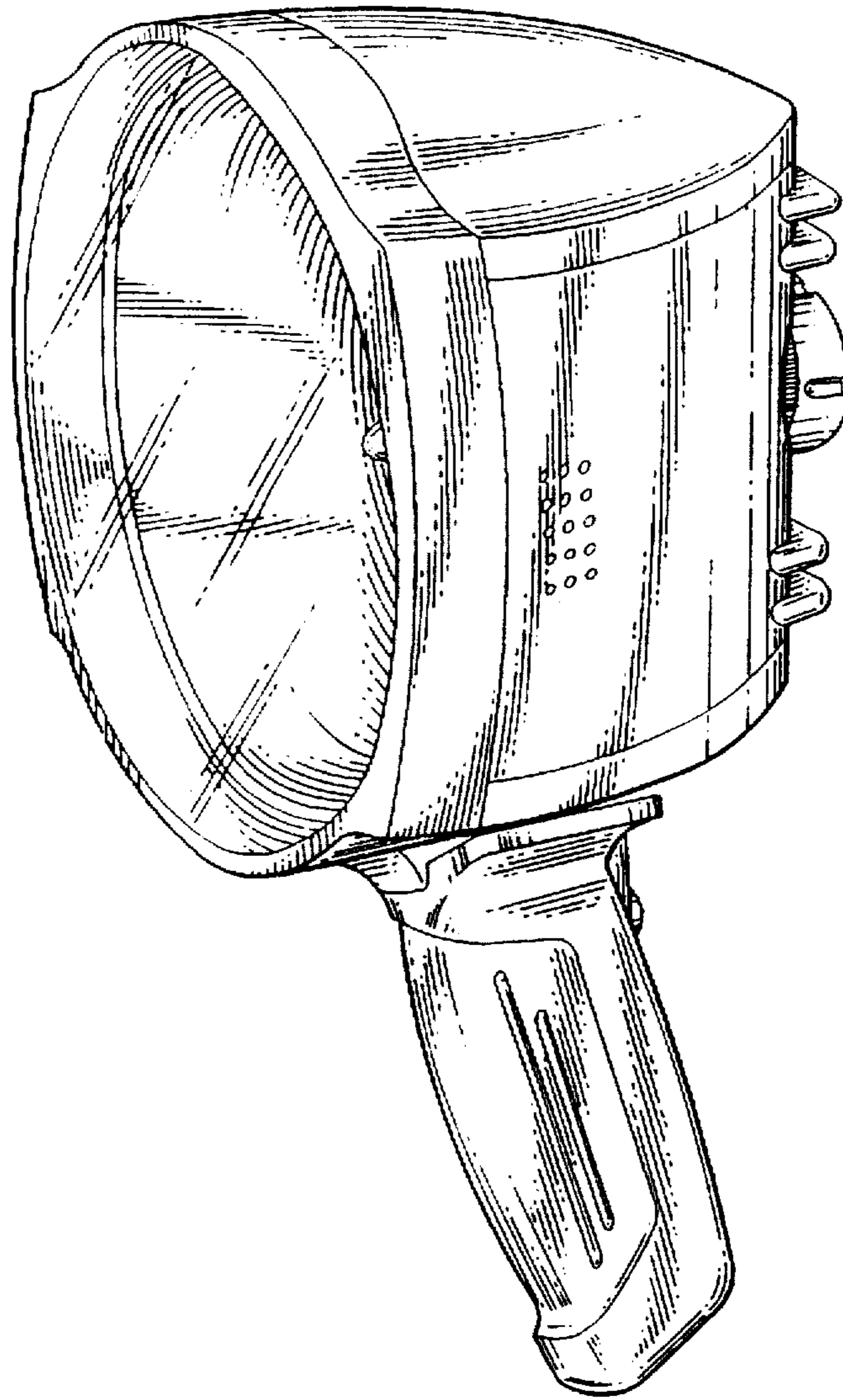


FIG. 1.

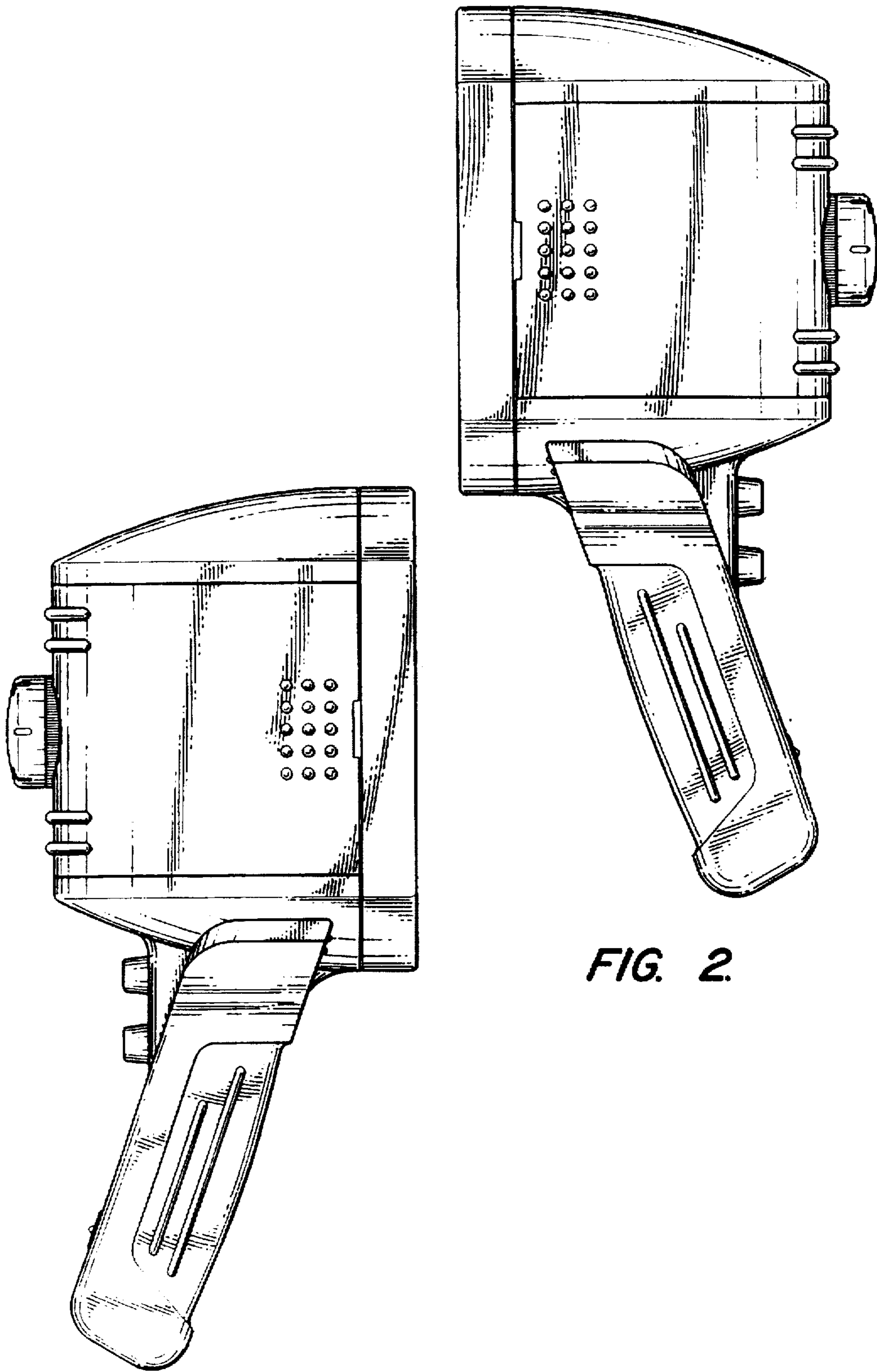


FIG. 2.

FIG. 3.

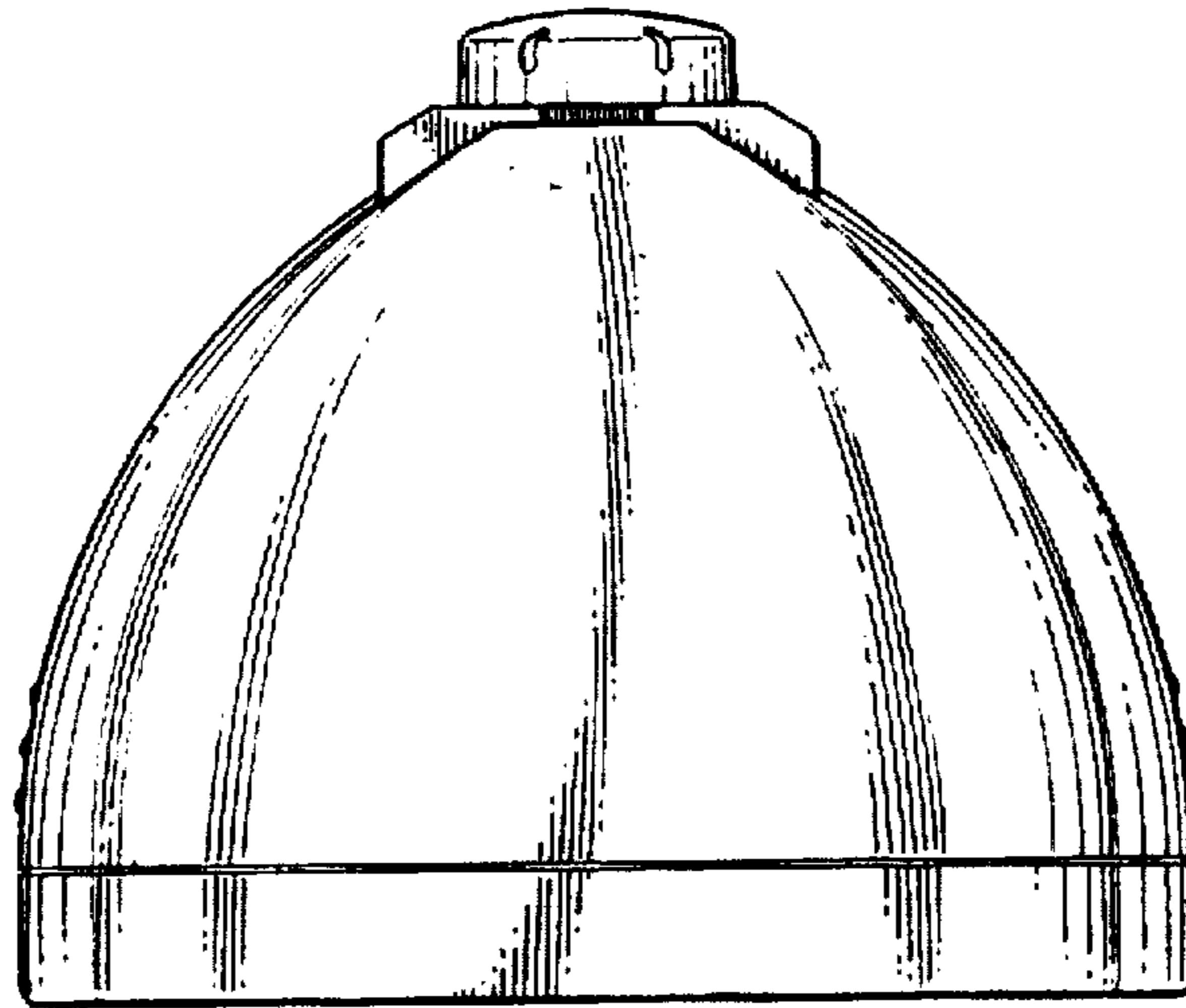


FIG. 4.

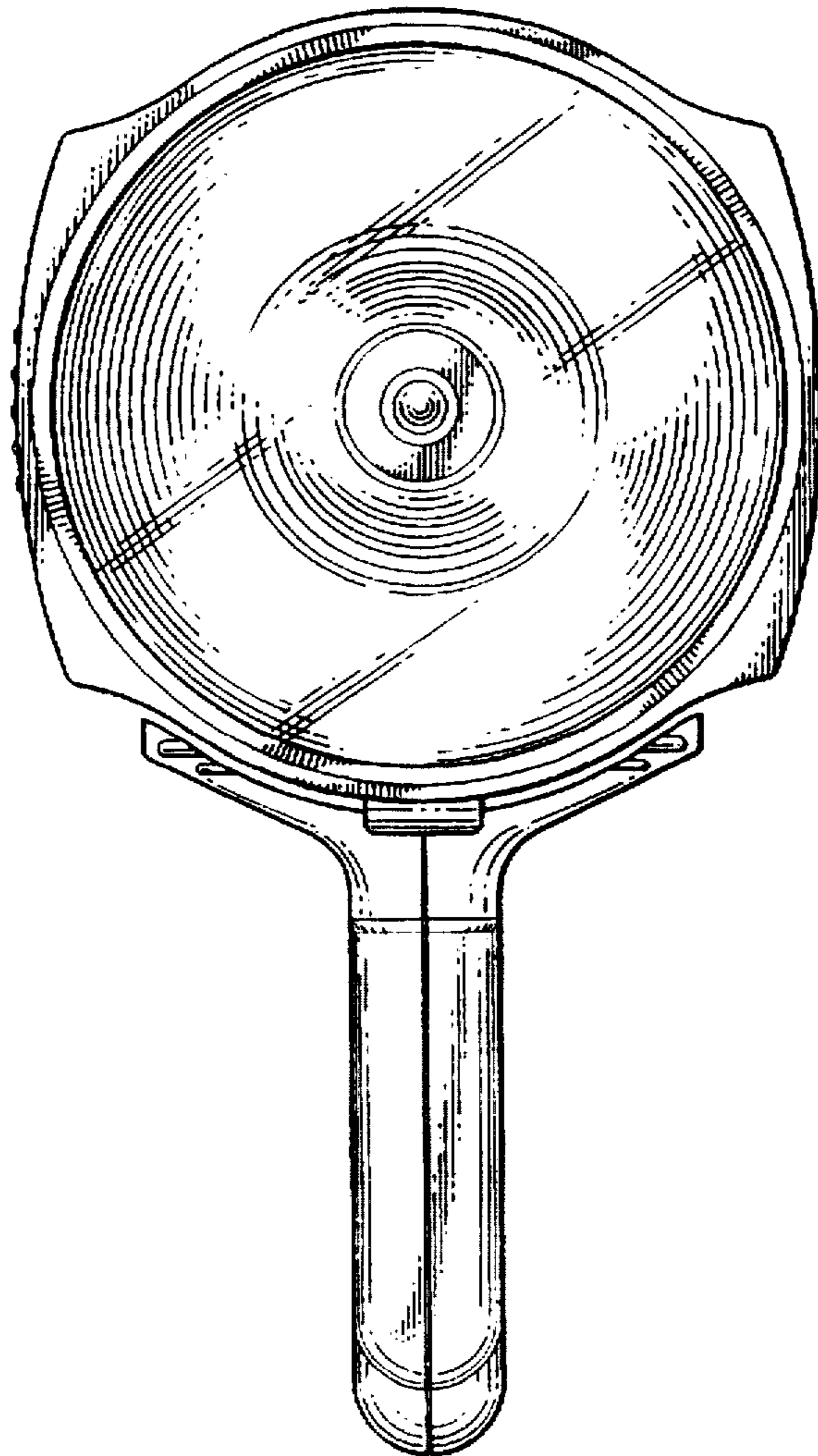


FIG. 5.

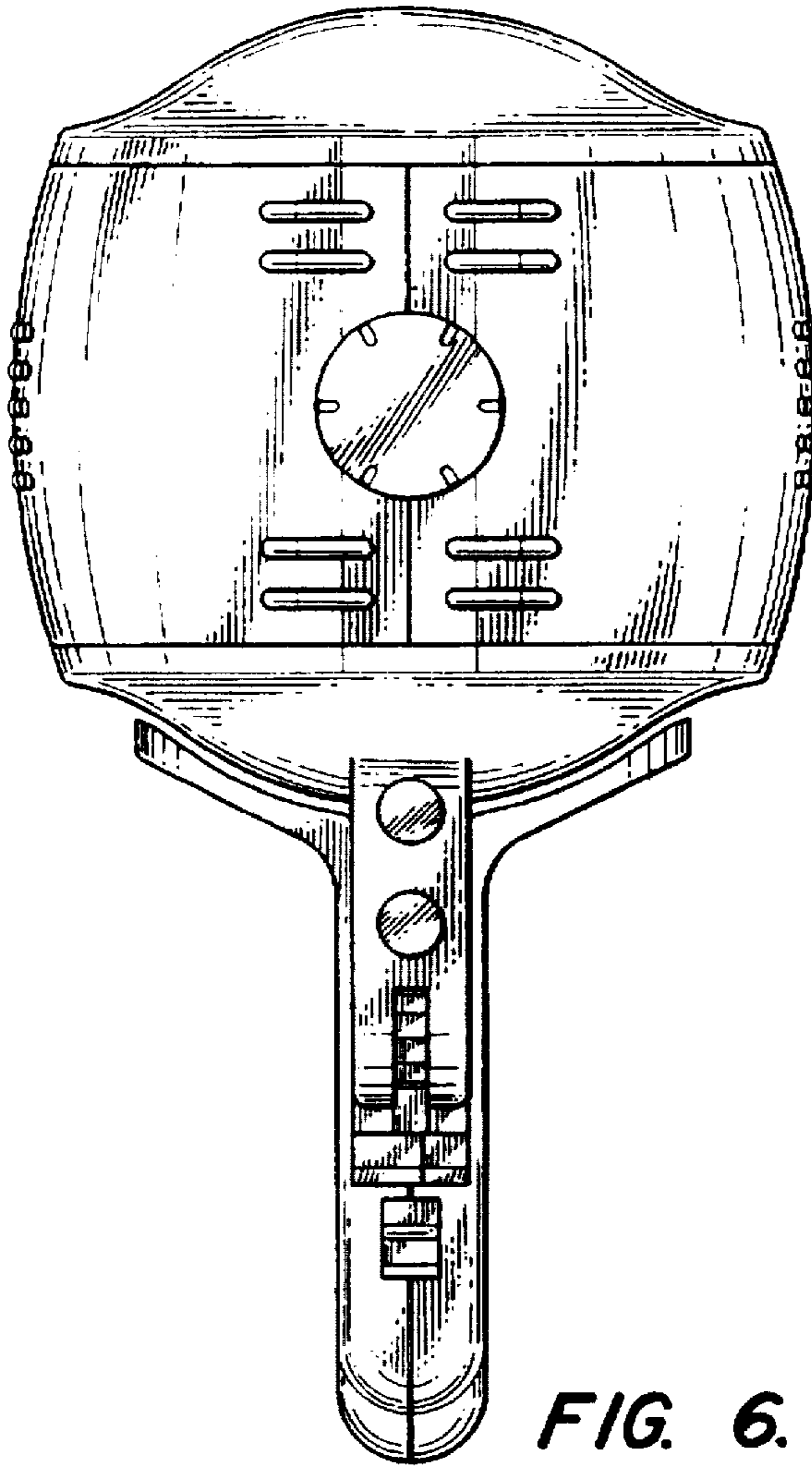


FIG. 6.

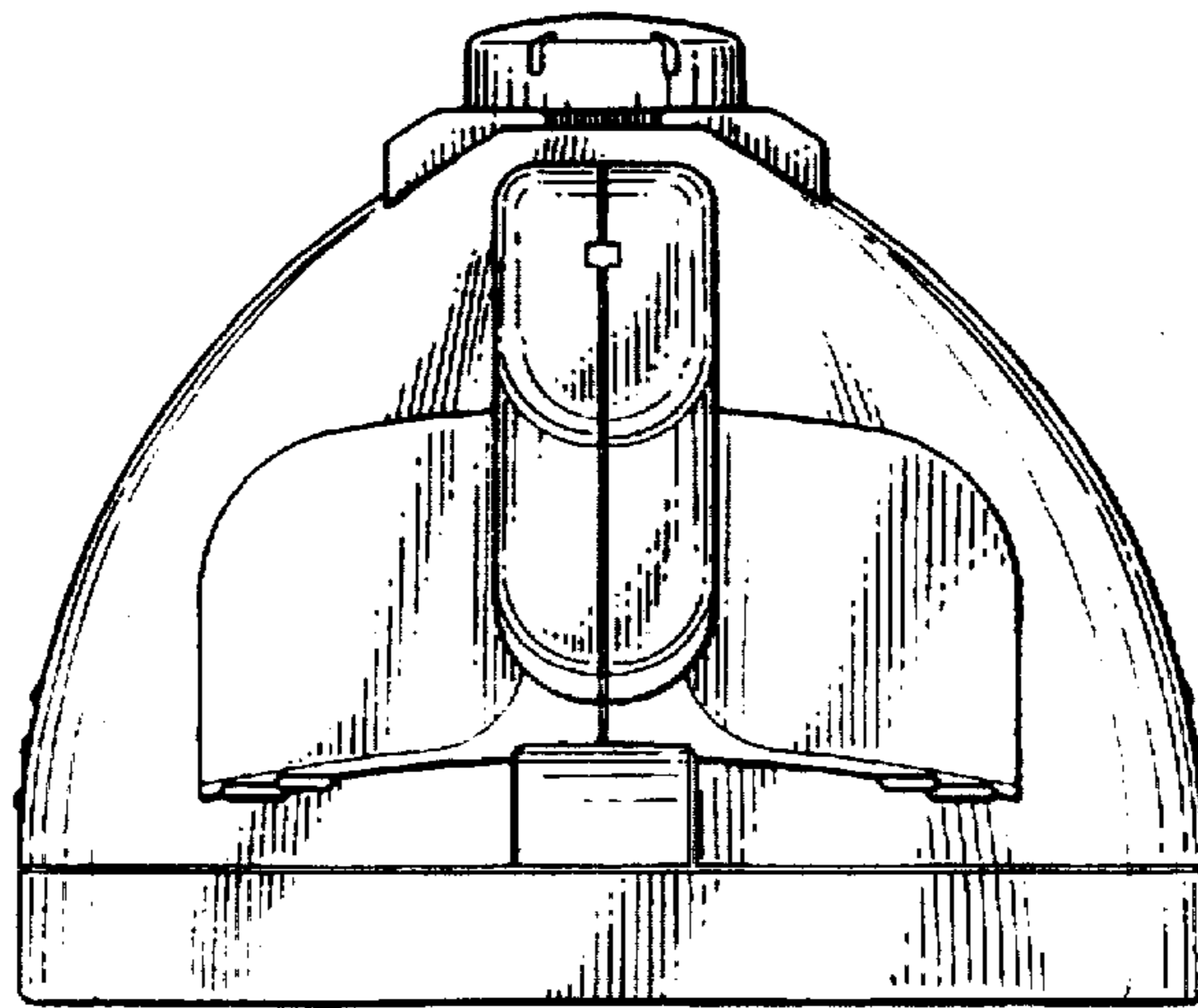


FIG. 7.

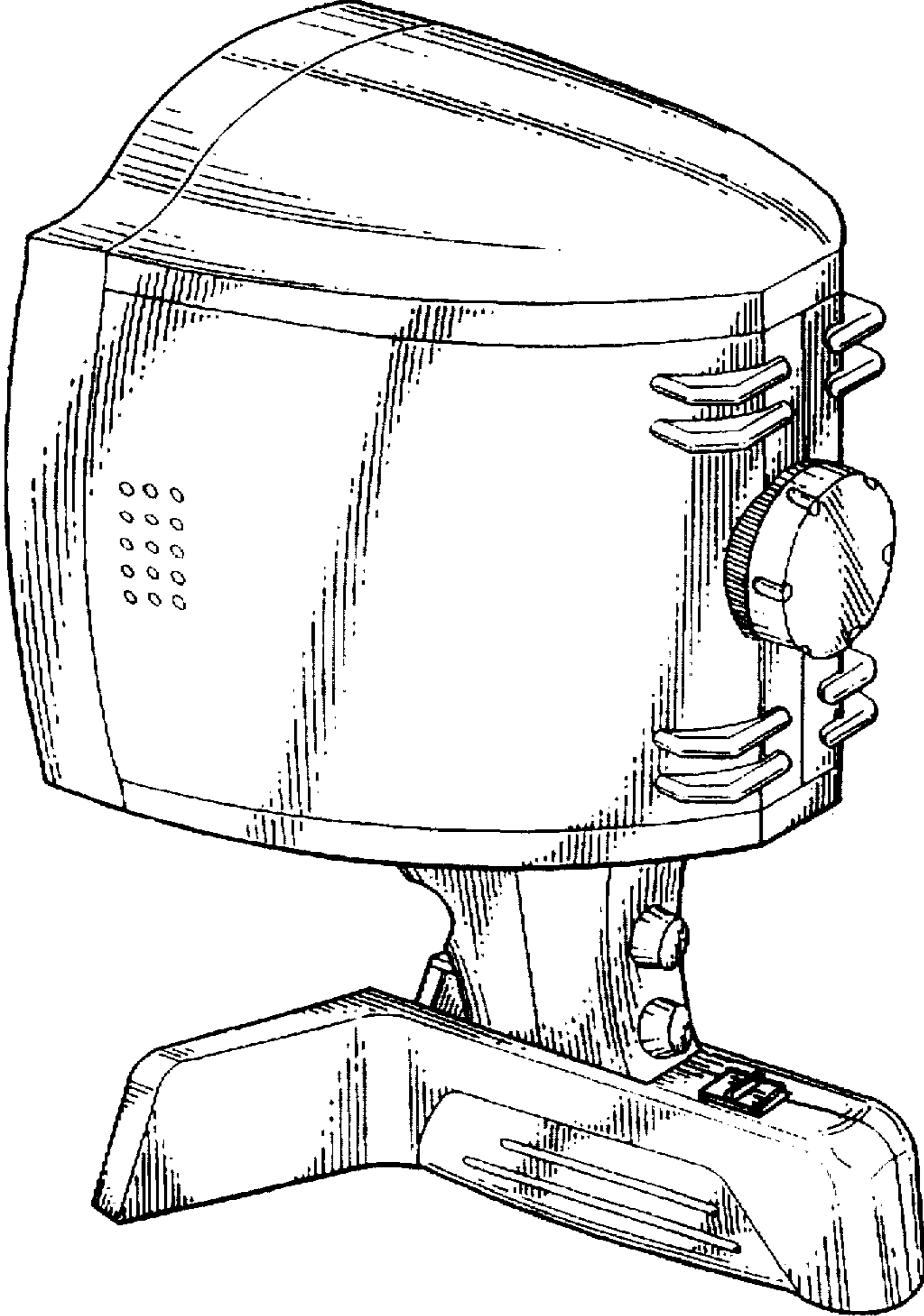


FIG. 8.

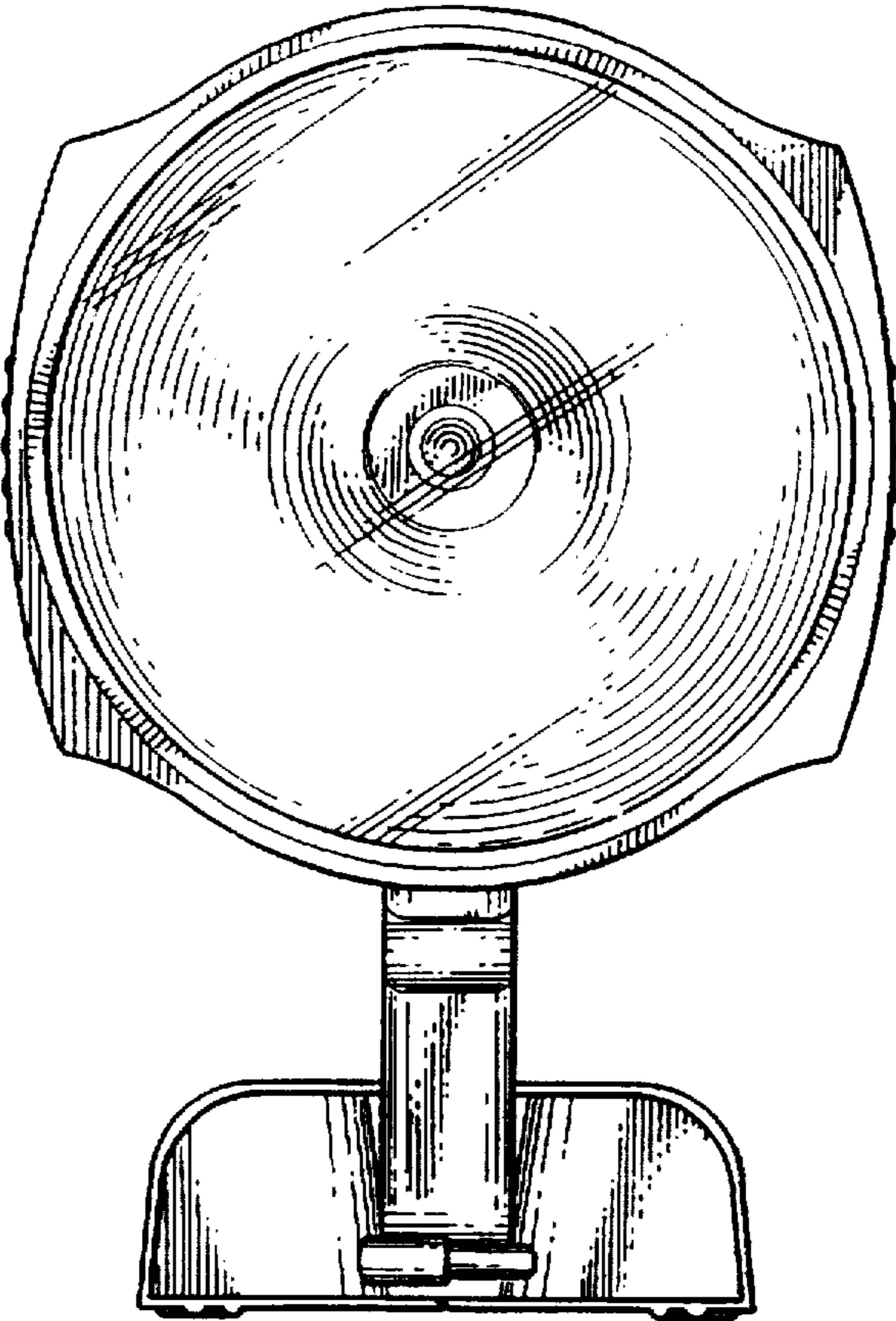


FIG. 9.

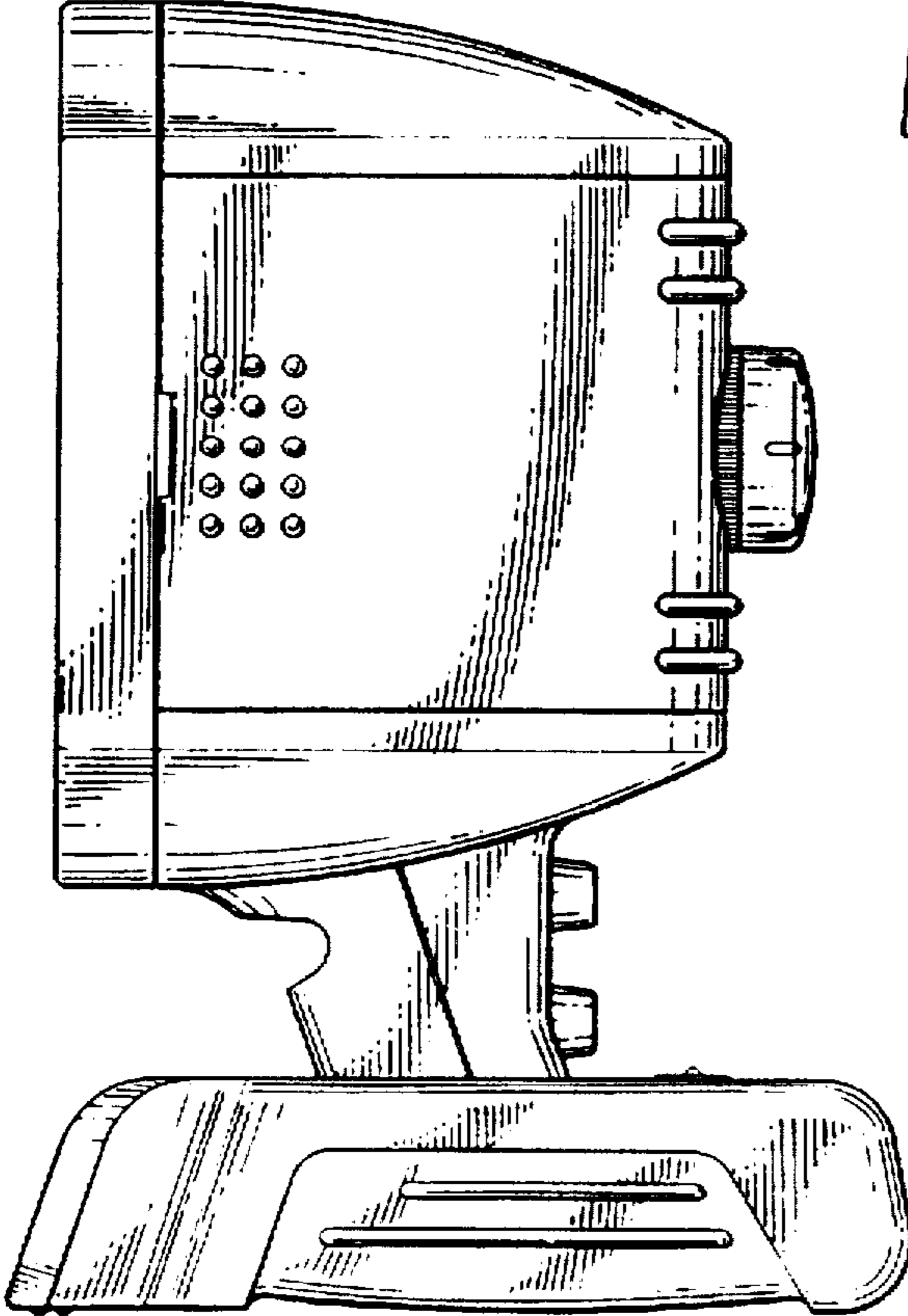


FIG. 10.