



US00D390980S

**United States Patent** [19]  
**Yamamoto**

[11] **Patent Number:** **Des. 390,980**  
[45] **Date of Patent:** **\*\*Feb. 17, 1998**

[54] **AUXILIARY LAMP FOR AN AUTOMOBILE**

D. 357,329 4/1995 Iacovelli ..... D26/28  
D. 372,995 8/1996 Huang ..... D26/28  
3,594,569 7/1971 Cranmore ..... D26/28

[75] **Inventor:** **Teruaki Yamamoto, Tokyo, Japan**

[73] **Assignee:** **PIAA Design International Corporation, Japan**

*Primary Examiner*—Marcus A. Jackson  
*Attorney, Agent, or Firm*—Saidman DesignLaw Group

[\*\*] **Term:** **14 Years**

[57] **CLAIM**

[21] **Appl. No.:** **65,150**

The ornamental design for an auxiliary lamp for an automobile, as shown and described.

[22] **Filed:** **Jan. 22, 1997**

**DESCRIPTION**

[51] **LOC (6) Cl.** ..... **26-06**

[52] **U.S. Cl.** ..... **D26/28**

[58] **Field of Search** ..... D26/28-35; 362/61,  
362/80, 81, 82, 83, 309, 326, 329-340,  
418, 419, 427

FIG. 1 is a perspective view of an auxiliary lamp for an automobile, showing my new design;  
FIG. 2 is a front view thereof;  
FIG. 3 is a left side view thereof, the right side being a mirror image;  
FIG. 4 is a top plan view thereof;  
FIG. 5 is a bottom view thereof; and,  
FIG. 6 is a rear view thereof.

[56] **References Cited**

**U.S. PATENT DOCUMENTS**

D. 289,205 4/1987 Biggs ..... D26/28  
D. 304,504 11/1989 Chen ..... D26/28

**1 Claim, 2 Drawing Sheets**

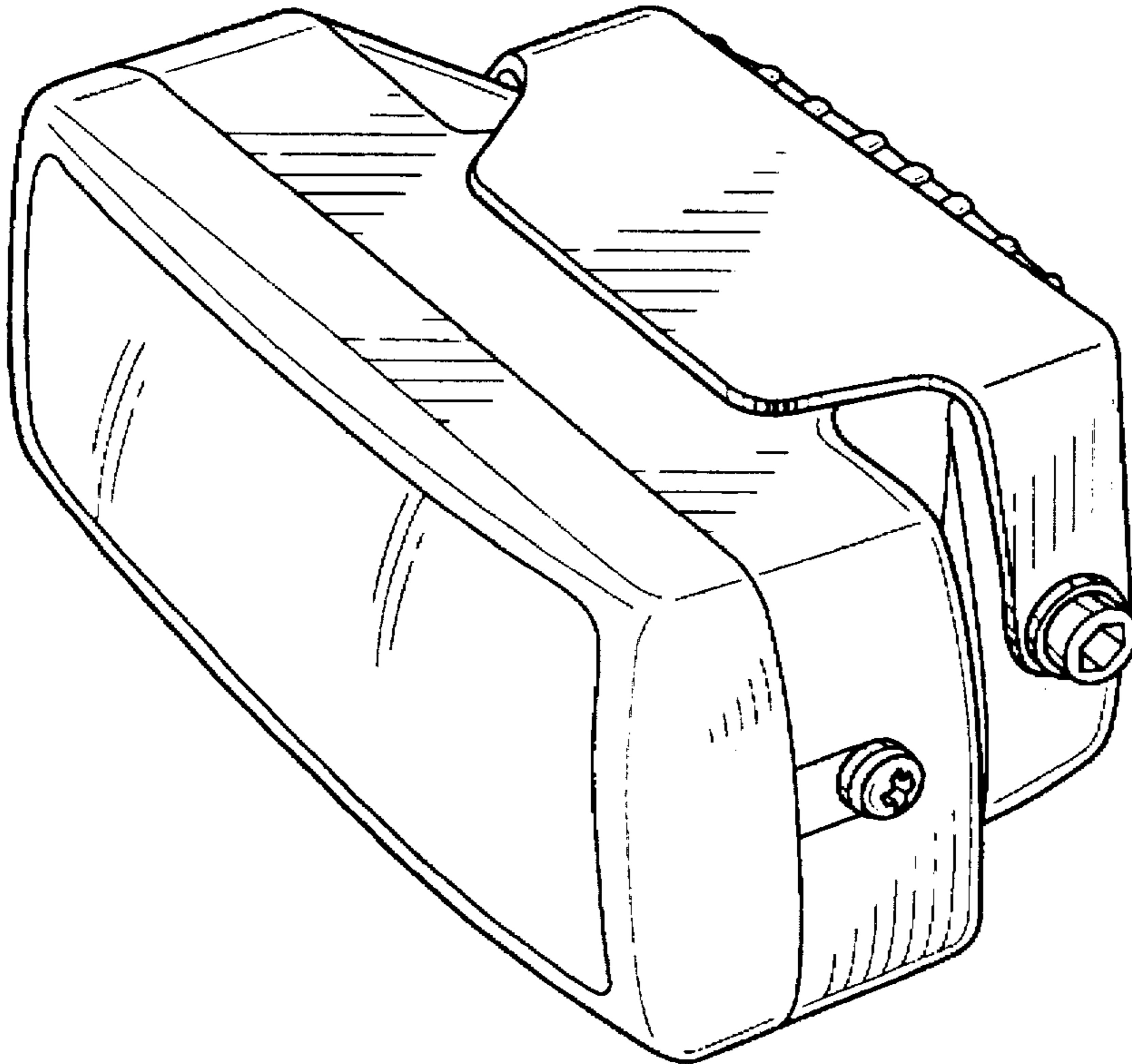


FIG. 1

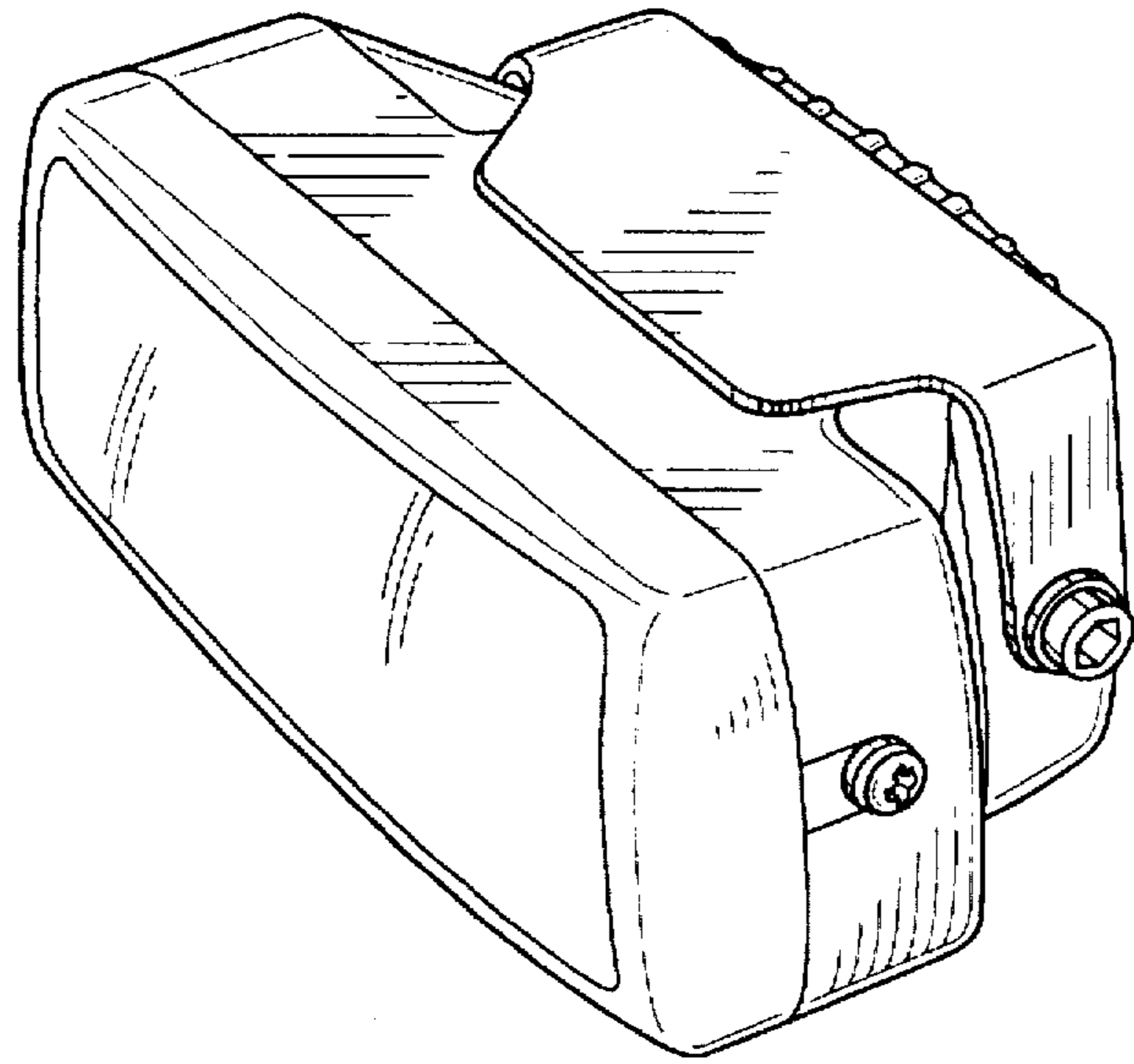


FIG. 2

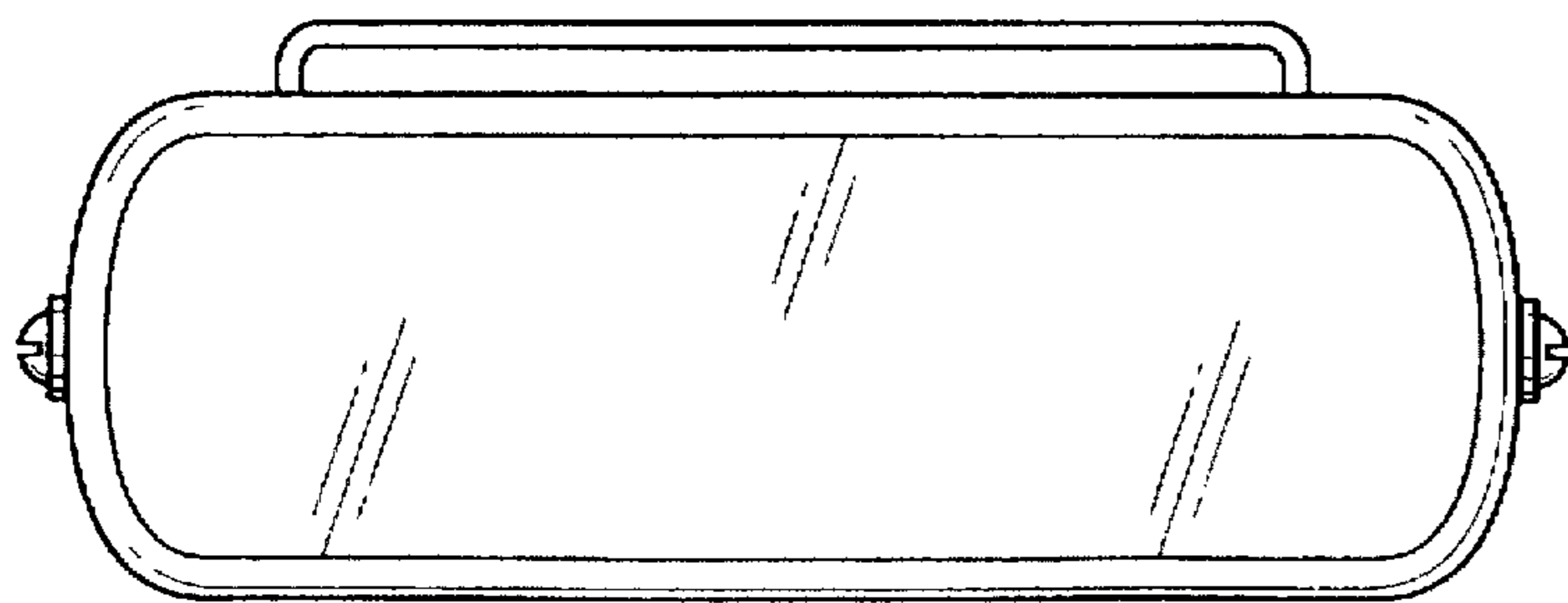


FIG. 3

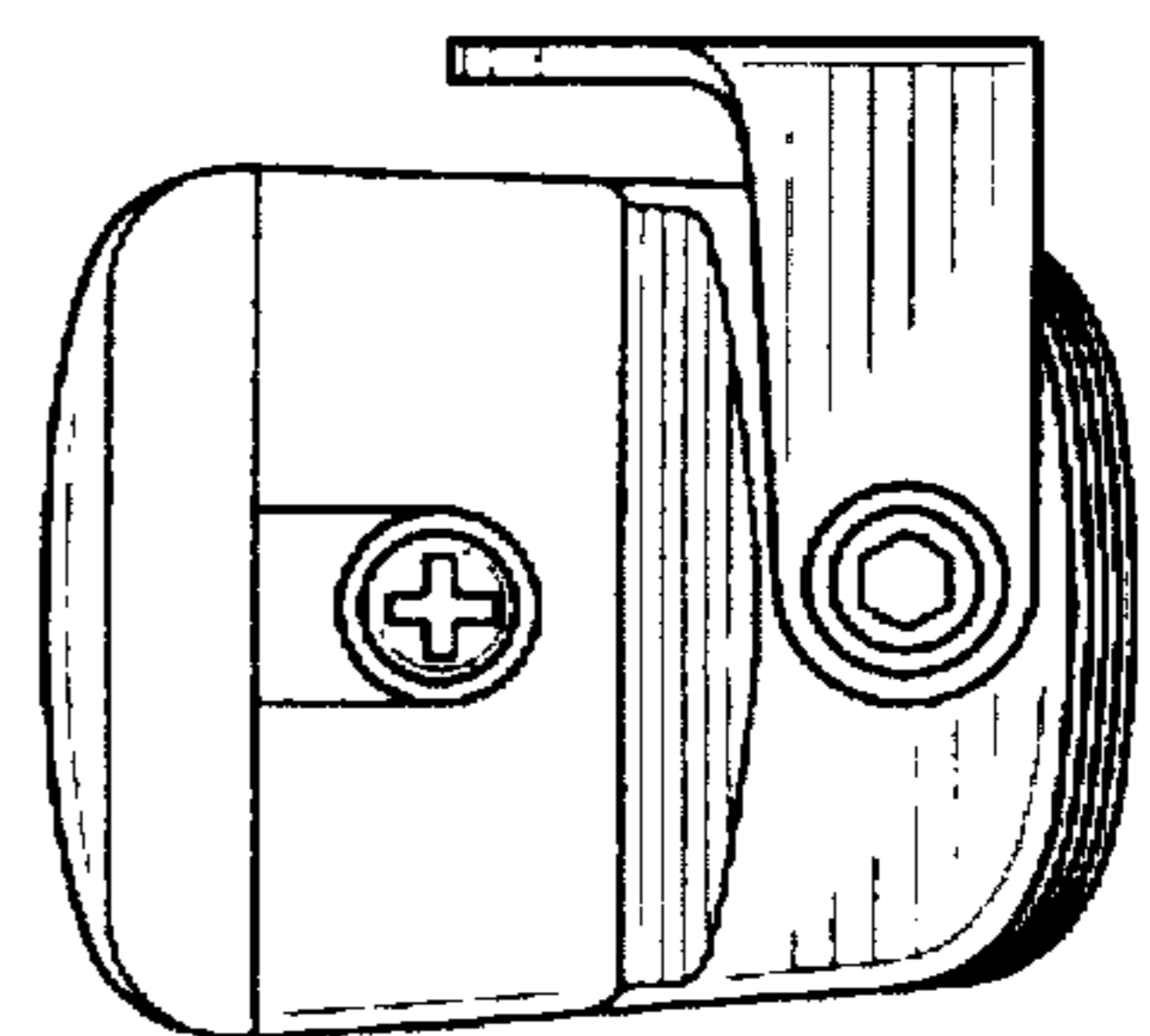


FIG. 4

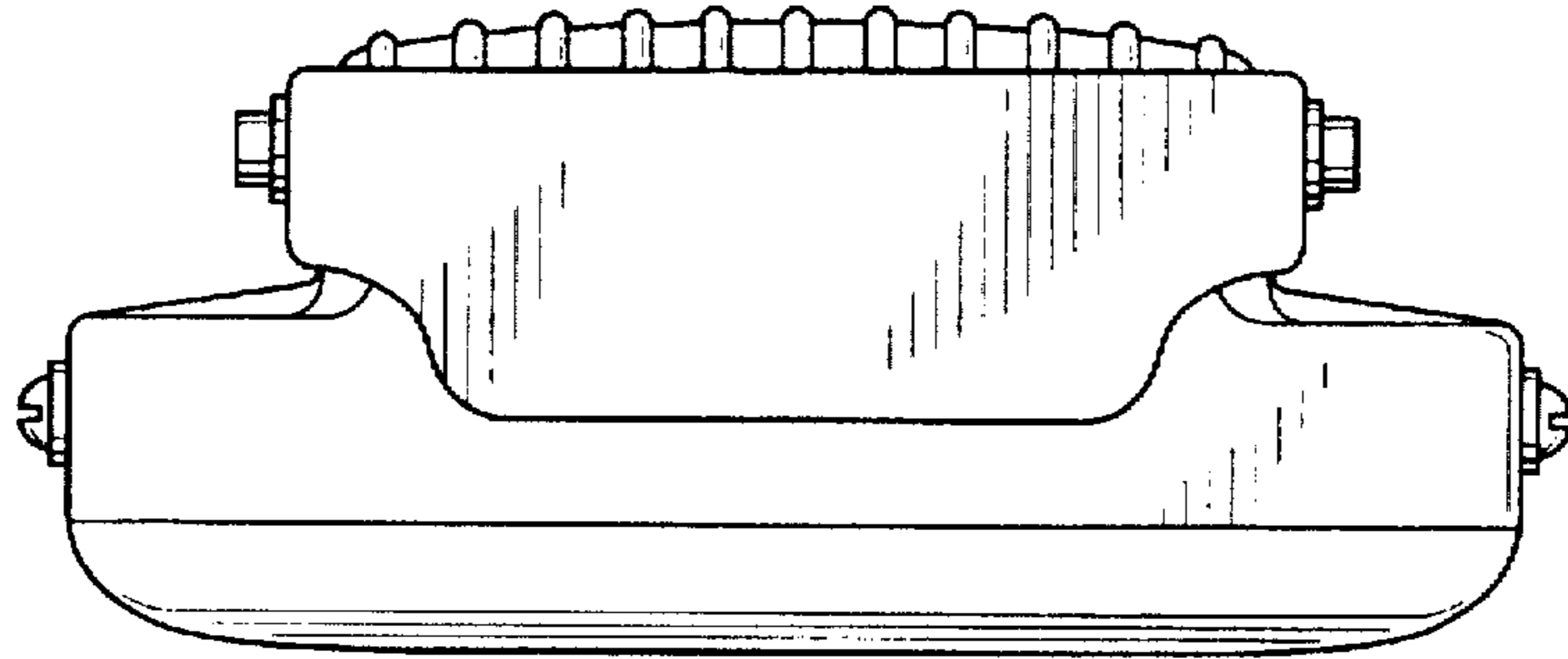


FIG. 5

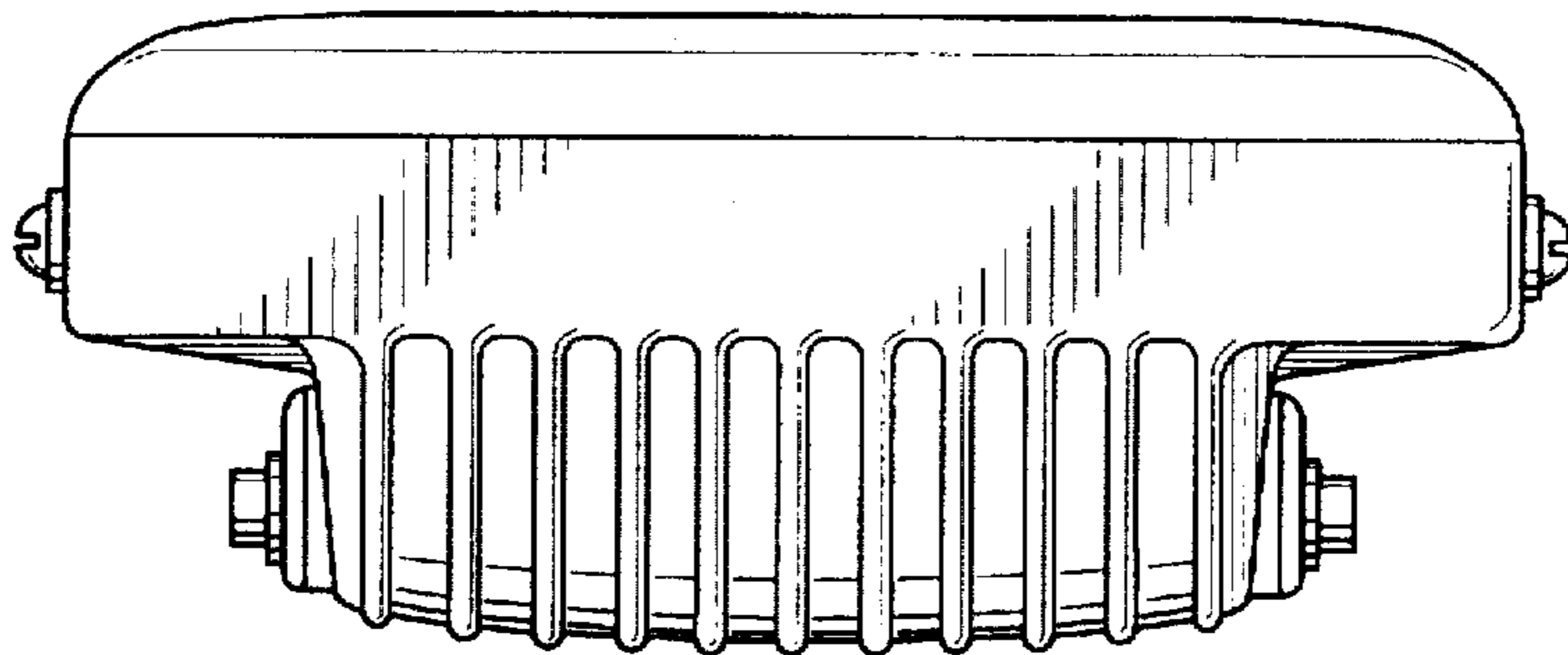


FIG. 6

