



US00D390978S

United States Patent [19]

[11] Patent Number: **Des. 390,978**

Boss

[45] Date of Patent: ****Feb. 17, 1998**

[54] OIL CANDLE

OTHER PUBLICATIONS

[75] Inventor: **Karen Boss**, Ross, Calif.
 [73] Assignee: **Firelight Glass**, Emeryville, Calif.
 [**] Term: **14 Years**

Global Design catalog, Chimney for Le Prism Diamonds, Jul. 1991.

Primary Examiner—Alan P. Douglas
Assistant Examiner—Robin V. Taylor
Attorney, Agent, or Firm—Townsend and Townsend and Crew

[21] Appl. No.: **51,766**
 [22] Filed: **Jan. 31, 1996**

[57] CLAIM

[51] LOC (6) Cl. **26-01**
 [52] U.S. Cl. **D26/11**
 [58] Field of Search D26/6-9, 10, 11-15,
 D26/20-23; 431/125, 288-292; 362/161-163

The ornamental design for an oil candle, as shown and described.

DESCRIPTION

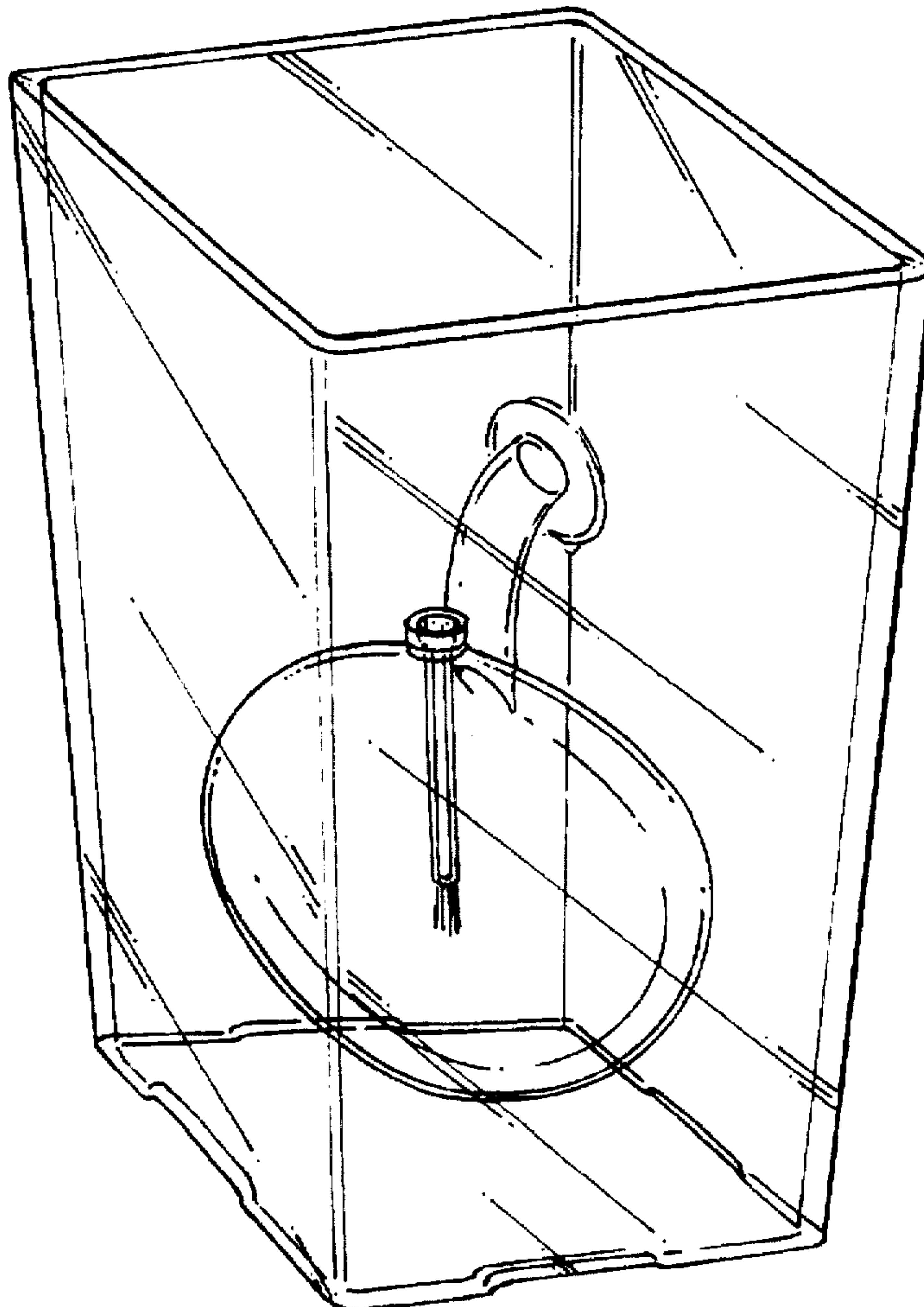
[56] References Cited

FIG. 1 is a perspective view of an oil candle showing my new design;
 FIG. 2 is a top plan view thereof;
 FIG. 3 is a front side elevational view thereof;
 FIG. 4 is a rear side elevational view thereof;
 FIG. 5 is a right side elevational view thereof, the left side elevational view being the mirror image; and,
 FIG. 6 is a bottom plan view thereof.

U.S. PATENT DOCUMENTS

D. 230,877	3/1974	Alberti	D26/11
D. 266,877	11/1982	Wheeler	D26/11
D. 290,046	5/1987	Reeves et al.	D26/11
D. 307,638	5/1990	Perkins	D26/11
D. 331,633	12/1992	Perkins	D26/11
D. 351,034	9/1994	Perkins	D26/11
D. 358,221	5/1995	Perkins	D26/11
4,937,701	6/1990	Schroder	362/161

1 Claim, 2 Drawing Sheets



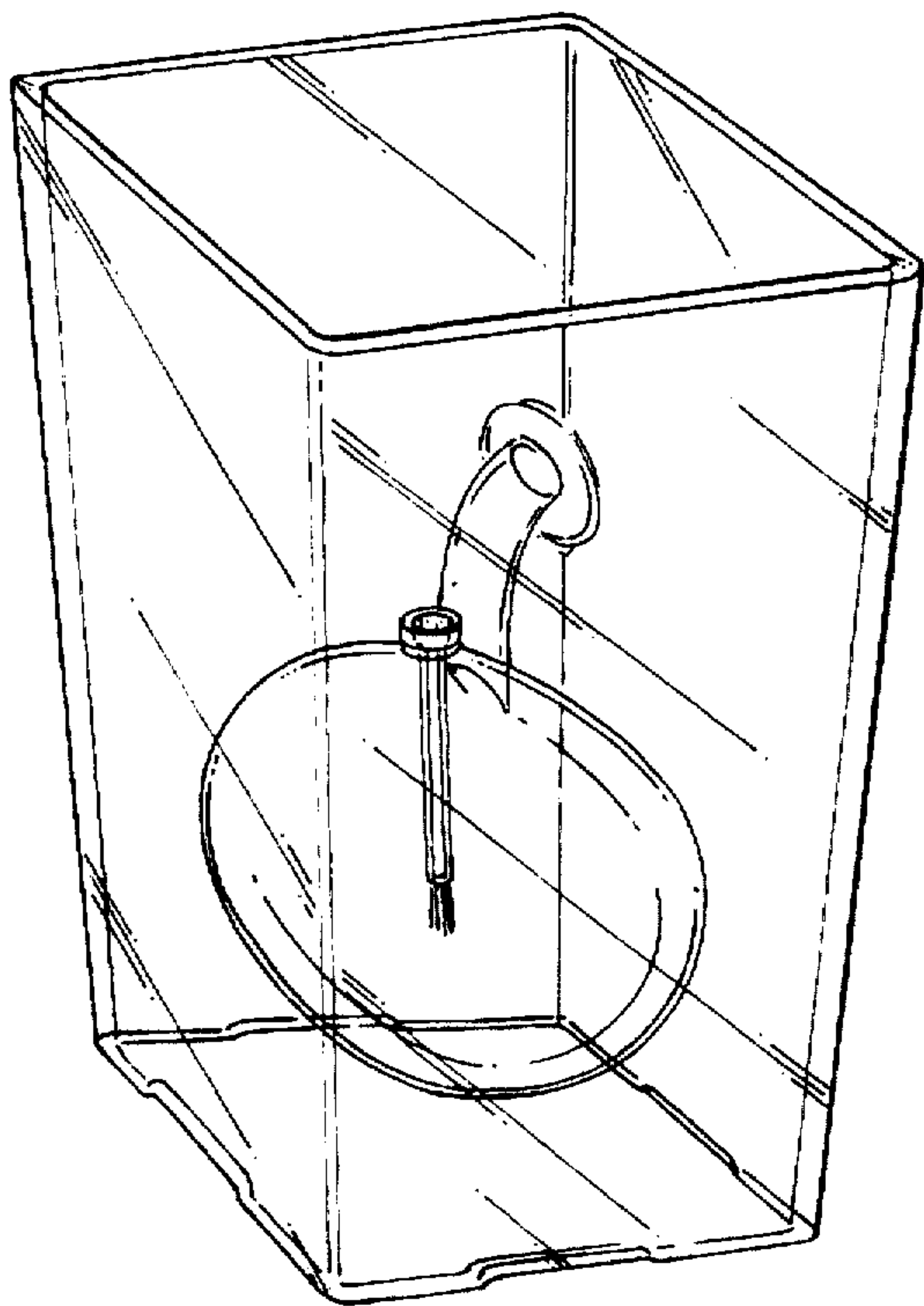


FIG. 1.

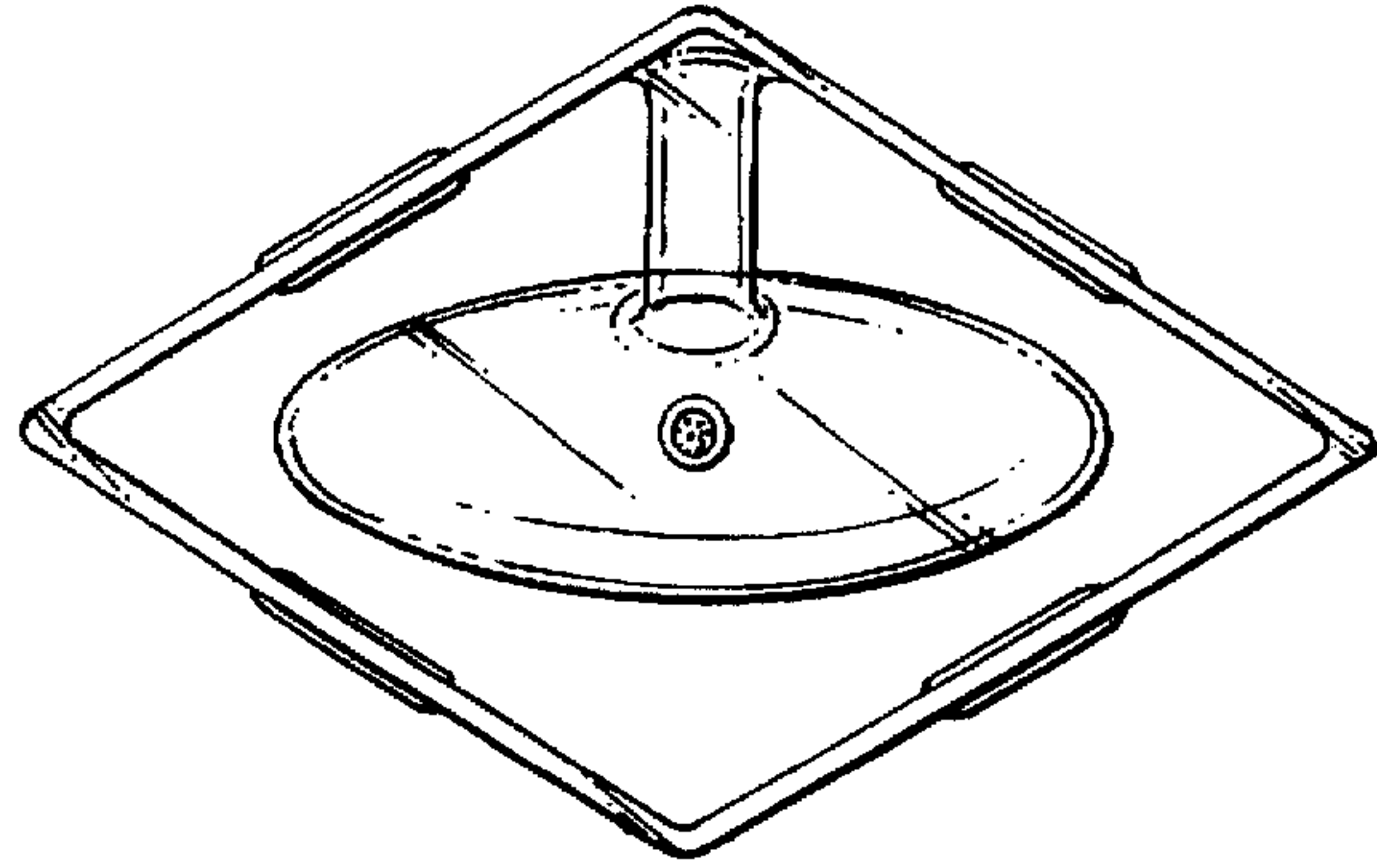


FIG. 2.

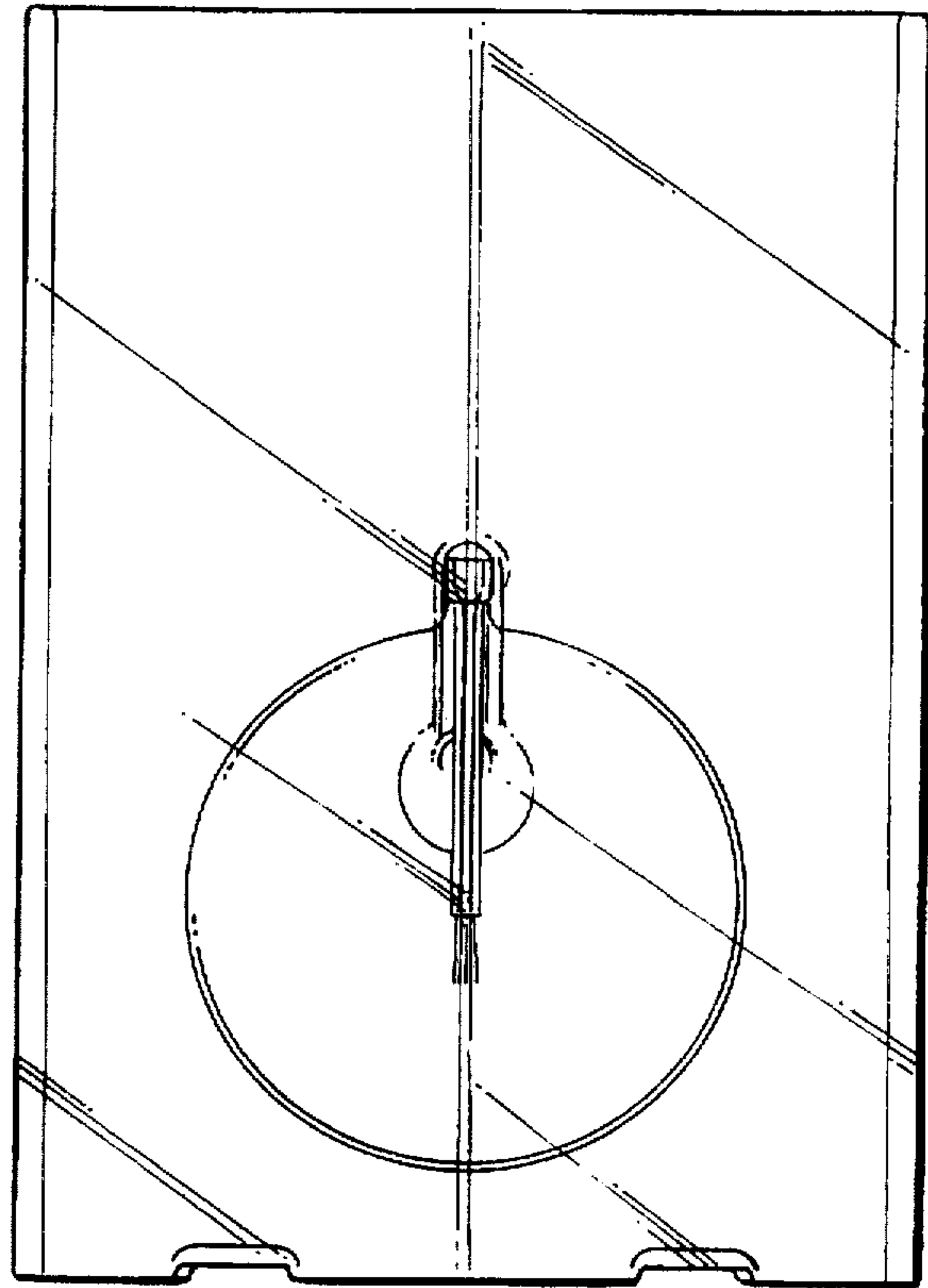


FIG. 3.

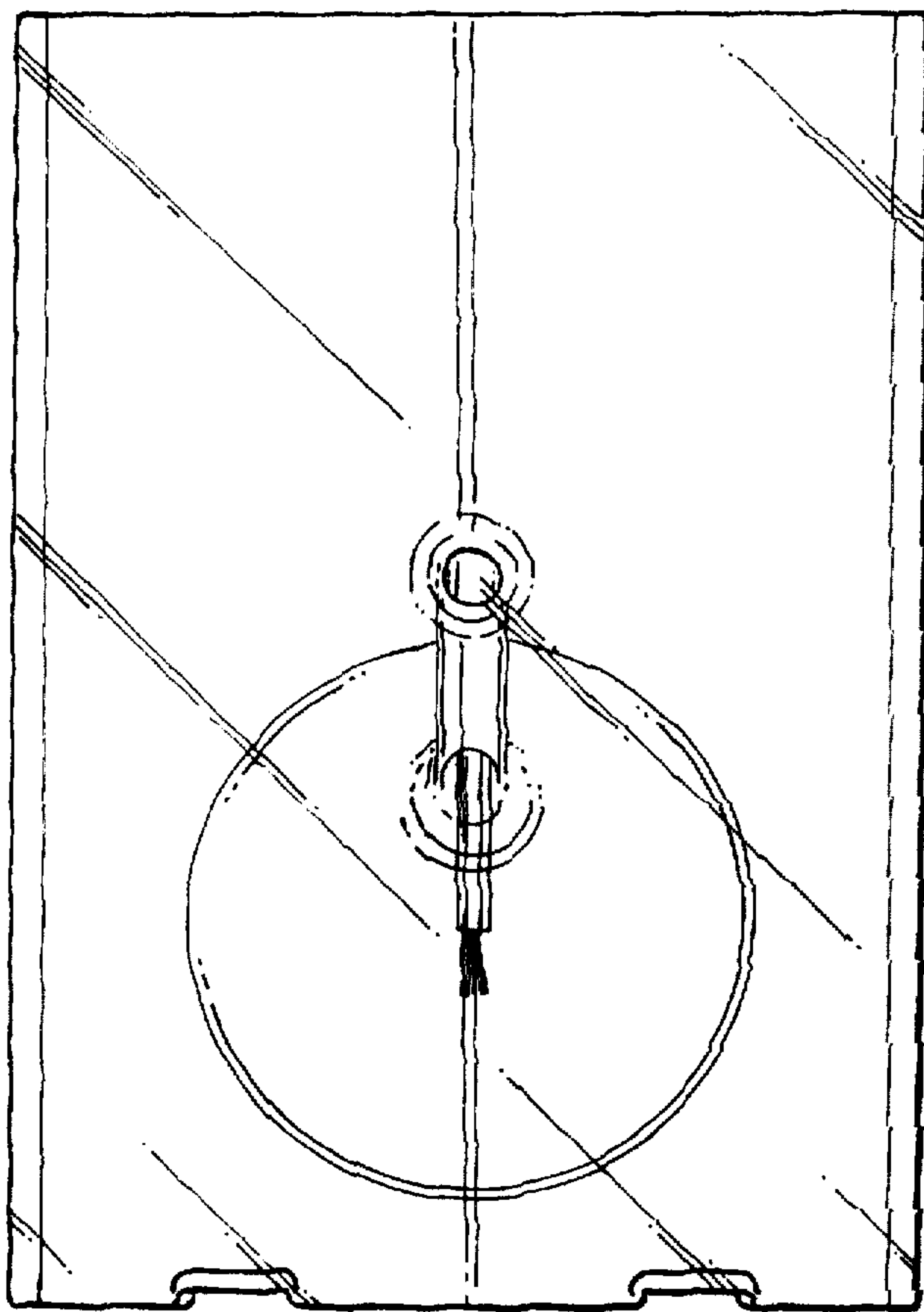


FIG. 4.

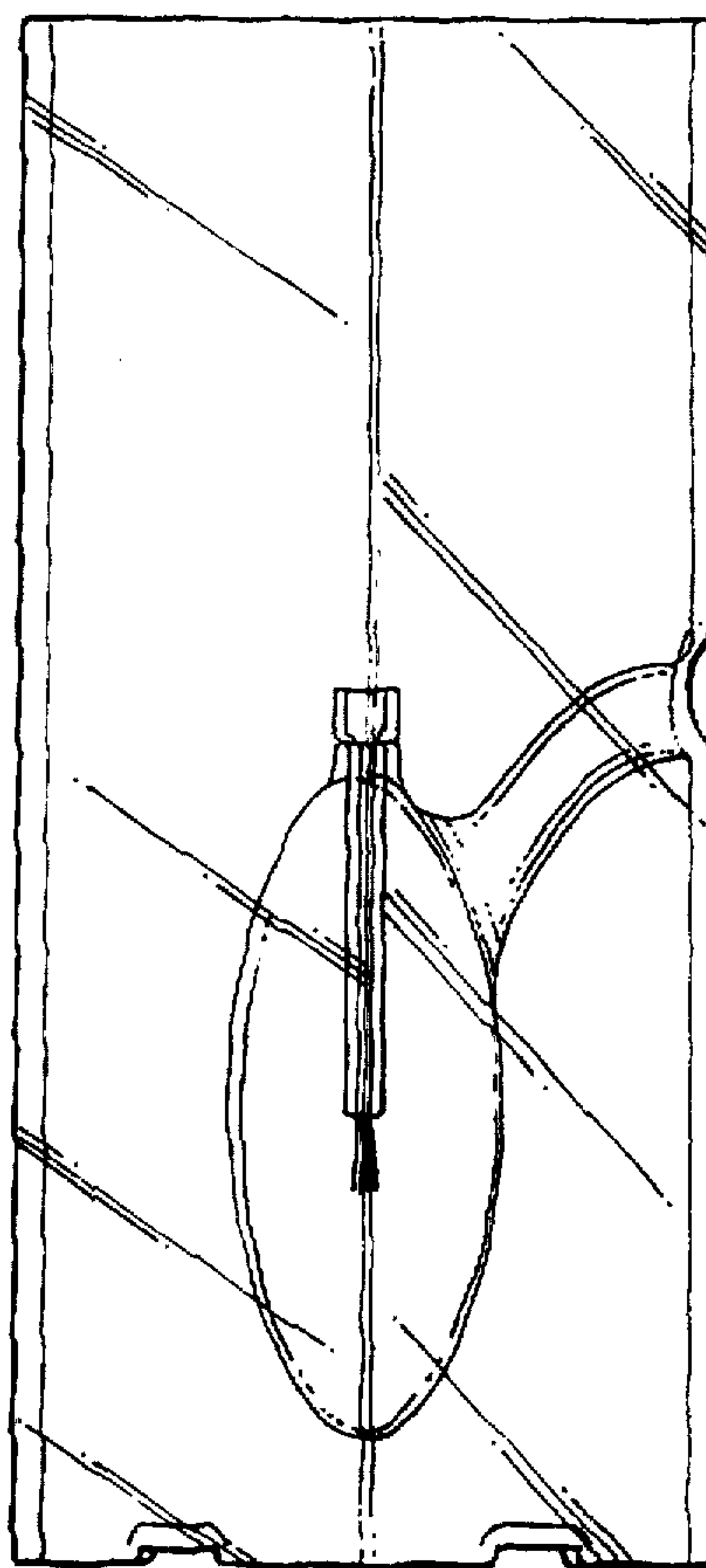


FIG. 5.

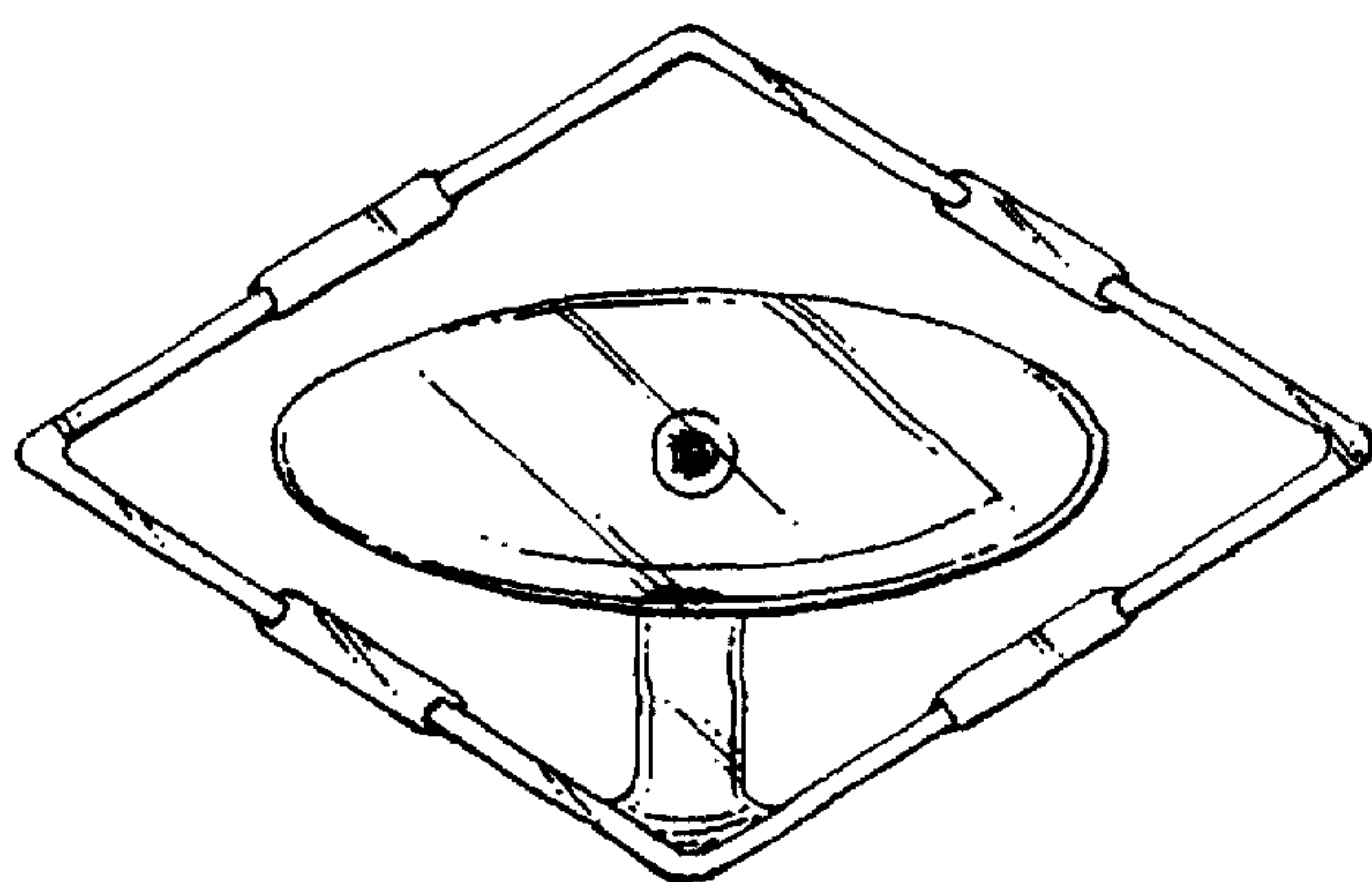


FIG. 6.