



US00D390976S

United States Patent [19]

[11] Patent Number: **Des. 390,976**

Weston

[45] Date of Patent: ****Feb. 17, 1998**

[54] **CONDUCTOR FOR A SKYLIGHT**

[76] Inventor: **Gary Weston, 29455 Stampede Way, Canyon Lake, Calif. 92587**

[**] Term: **14 Years**

[21] Appl. No.: **57,202**

[22] Filed: **Jul. 19, 1996**

[51] LOC (6) Cl. **25-99**

[52] U.S. Cl. **D25/199; D25/53**

[58] Field of Search **D25/52, 199; 52/200; 350/96; 362/802**

[56] **References Cited**

U.S. PATENT DOCUMENTS

- D. 329,694 9/1992 Wimberly D25/52
- 4,477,145 10/1984 Mori 350/96.1
- 5,553,425 9/1996 Sampson et al. 52/200

Primary Examiner—Doris Clark
Attorney, Agent, or Firm—Frank C. Price

[57] **CLAIM**

The ornamental design of a conductor for a skylight, as shown and described.

DESCRIPTION

FIG. 1 is an enlarged partial bottom perspective view; the glass portion is partially shown in order to clearly disclose the internal elements; and,

FIG. 2 is a sectional view taken along line 2—2 of FIG. 1;

FIG. 3 is a side view;

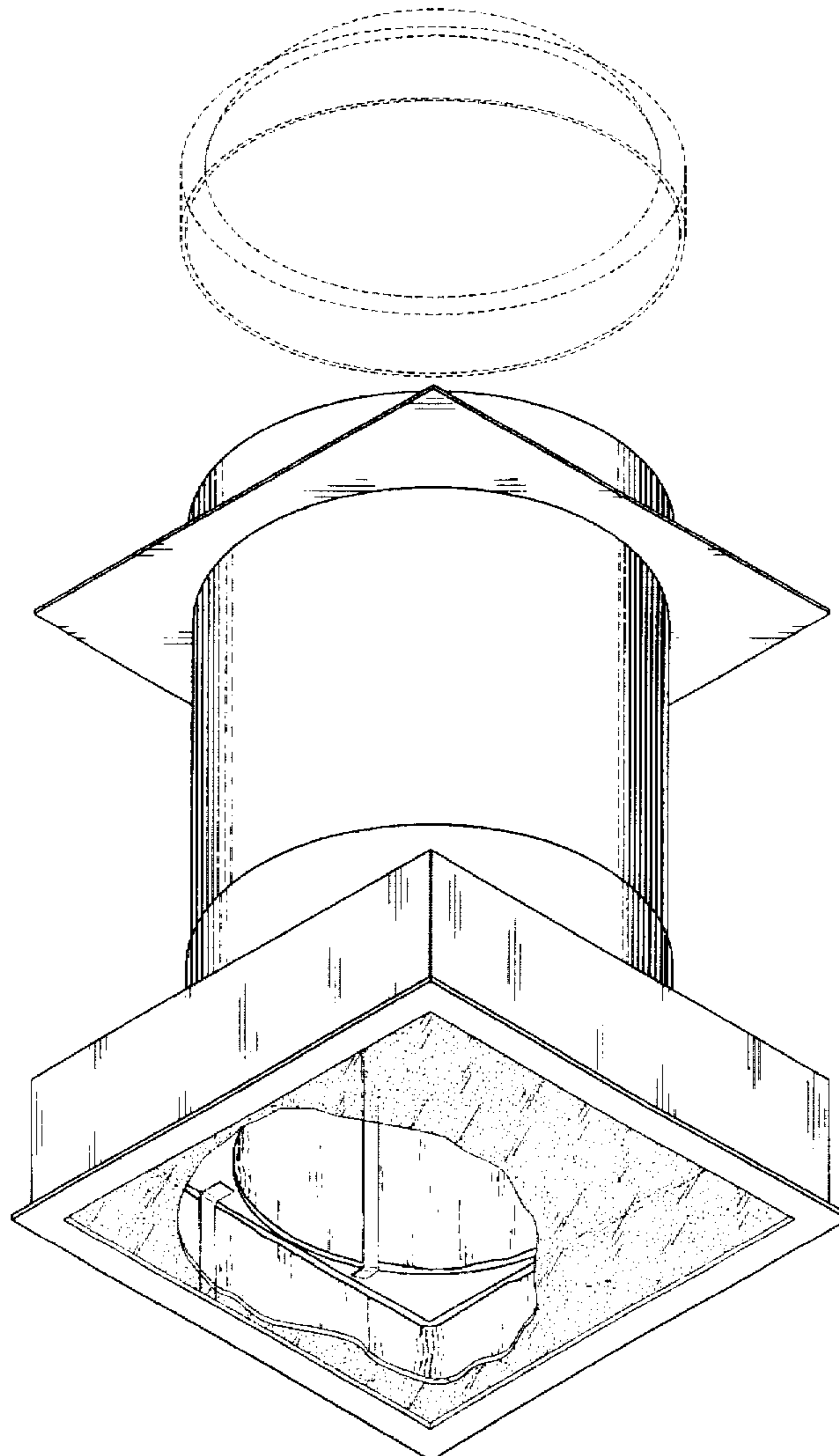
FIG. 4 is a top perspective view; and,

FIG. 5 is a bottom perspective view, an expansion of FIG. 1 with the ceiling omitted.

In all figures the broken lines showing a skylight and wall, or wall structures, are for illustrative purposes only and form no part of the claimed design.

In FIGS. 4 and 5 the length of the tube is not opened to an indefinite length as in FIGS. 2 and 3 in order to avoid excessive complexity in the drawings.

1 Claim, 5 Drawing Sheets



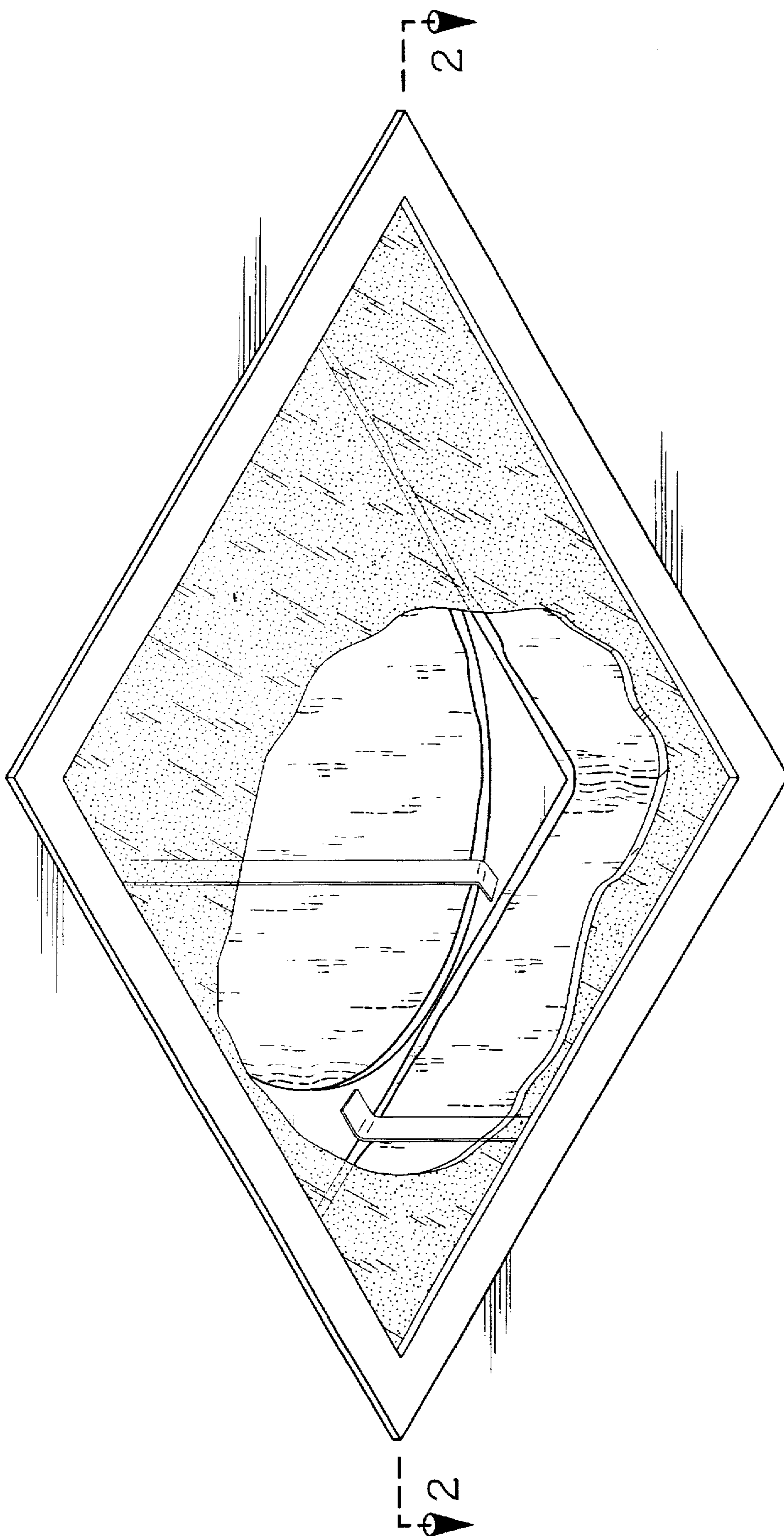


FIG. 1

FIG. 2

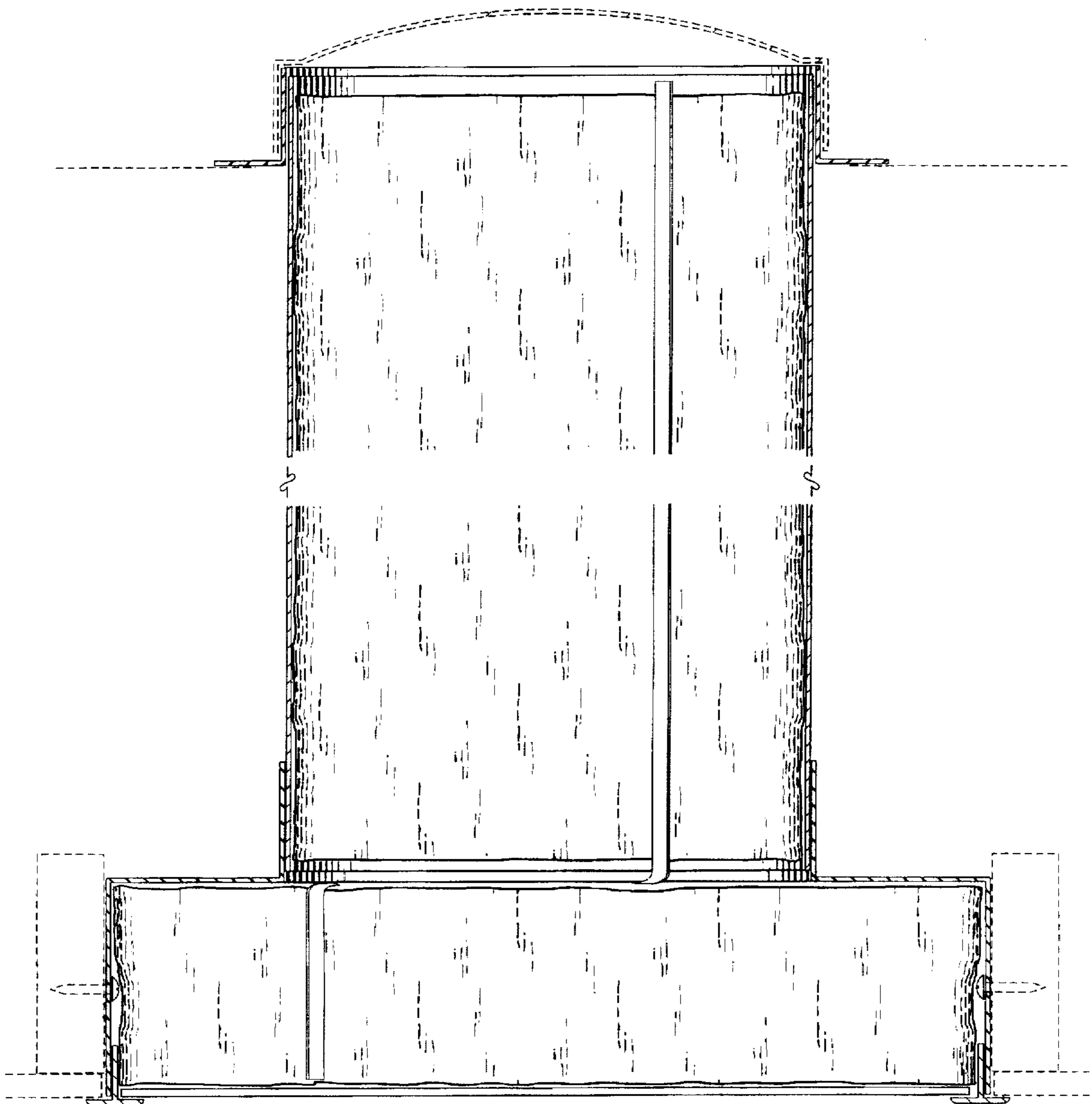


FIG. 3

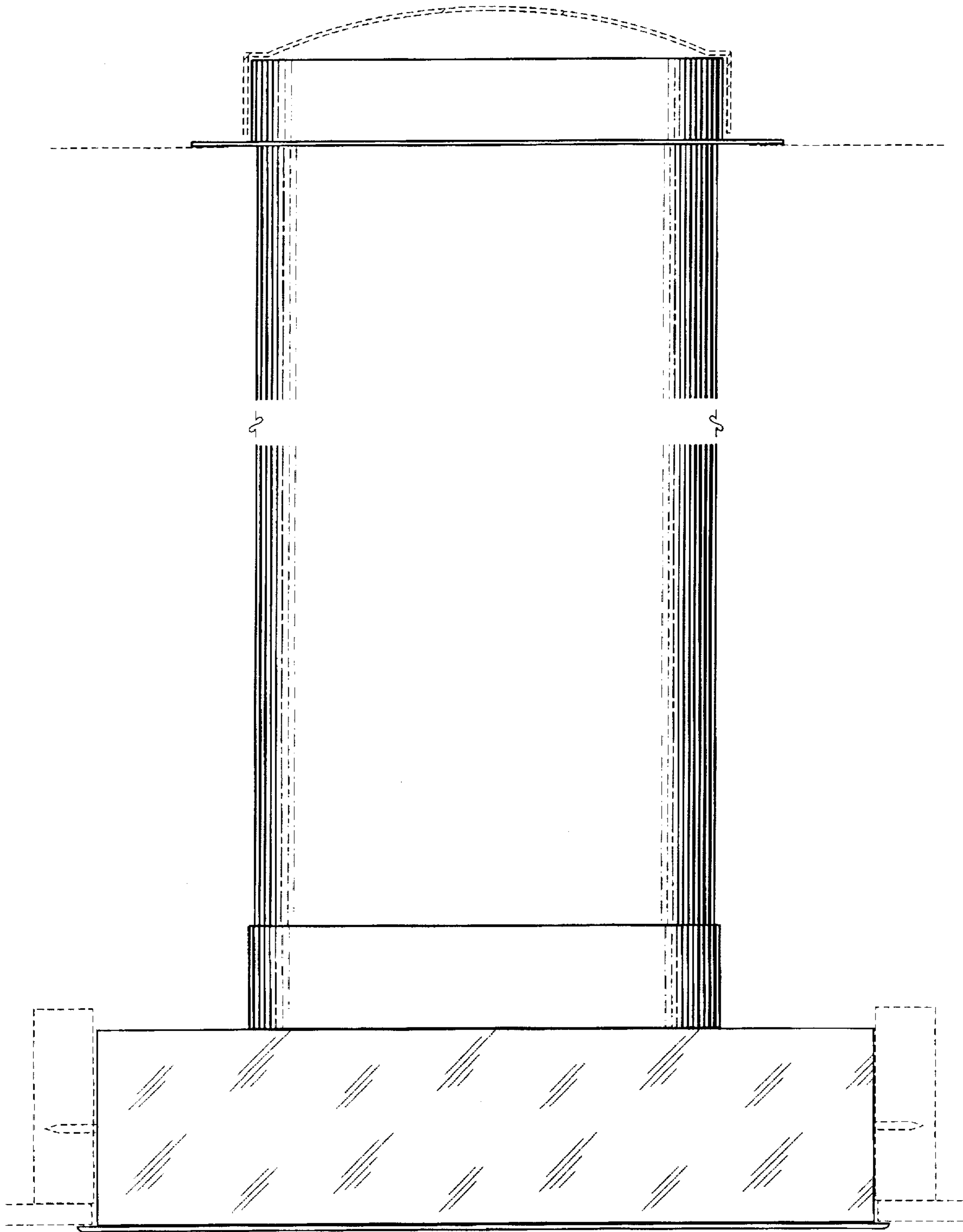


FIG. 4

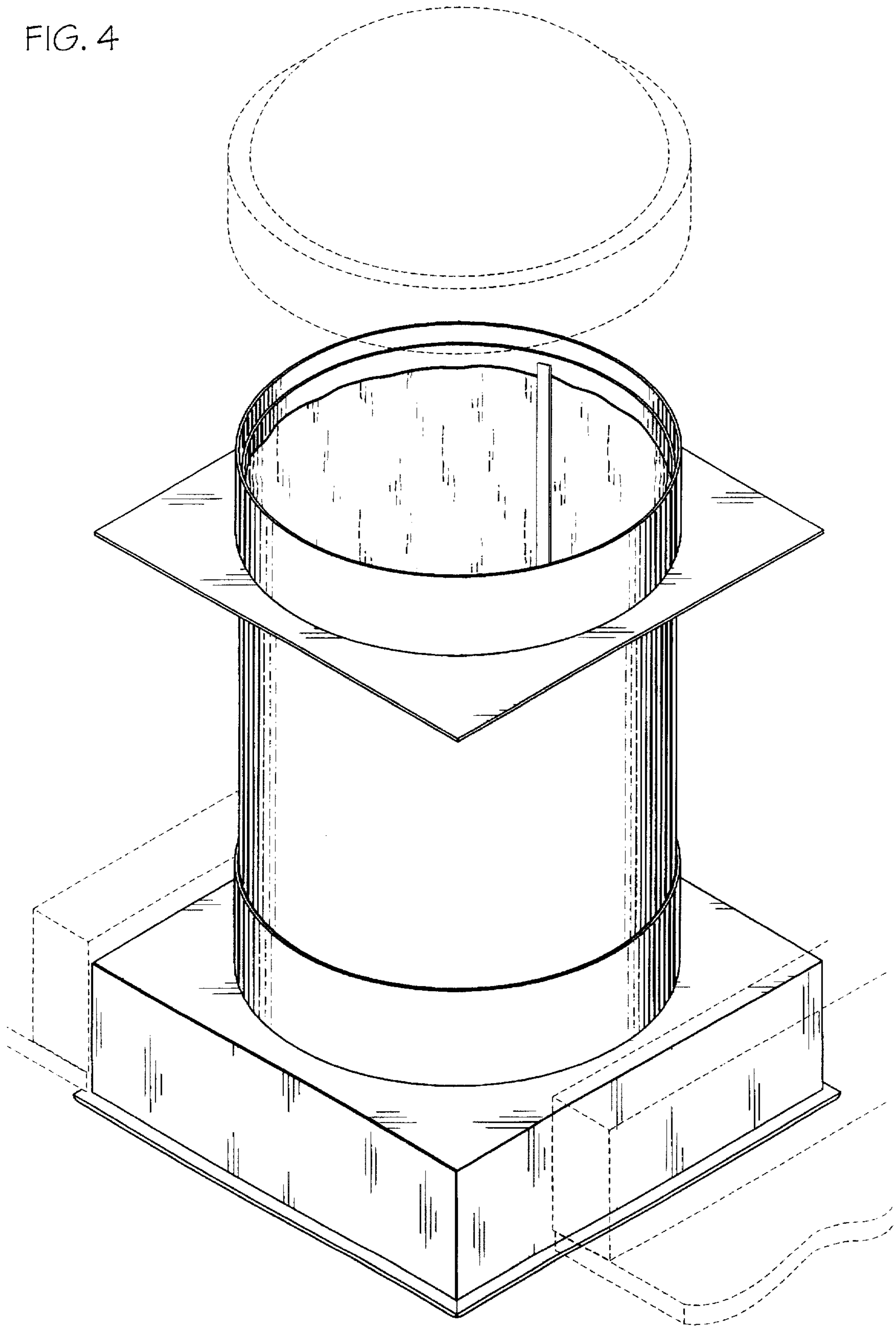


FIG. 5

