



US00D390975S

United States Patent [19]
Tyra

[11] **Patent Number: Des. 390,975**

[45] **Date of Patent: **Feb. 17, 1998**

[54] **WINDOW COMPONENT EXTRUSION**

[75] **Inventor: Kevin P. Tyra, Puyallup, Wash.**

[73] **Assignee: Mikron Industries, Inc., Kent, Wash.**

[**] **Term: 14 Years**

[21] **Appl. No.: 69,252**

[22] **Filed: Mar. 20, 1997**

[51] **LOC (6) Cl. 25-01**

[52] **U.S. Cl. D25/124**

[58] **Field of Search D25/52, 124, 125;
49/DIG. 2, 504, 505; 52/204.1, 204.5**

[56] **References Cited**

U.S. PATENT DOCUMENTS

D. 366,326 1/1996 Schrader D25/124

OTHER PUBLICATIONS

Window Component Extrusion 5958, Doug Cole Sold May 22, 1989.

Window Component Extrusion 6511, Doug Cole Published Oct. 18, 1994.

Primary Examiner—Doris Clark

Attorney, Agent, or Firm—Richardson & Folise

[57] **CLAIM**

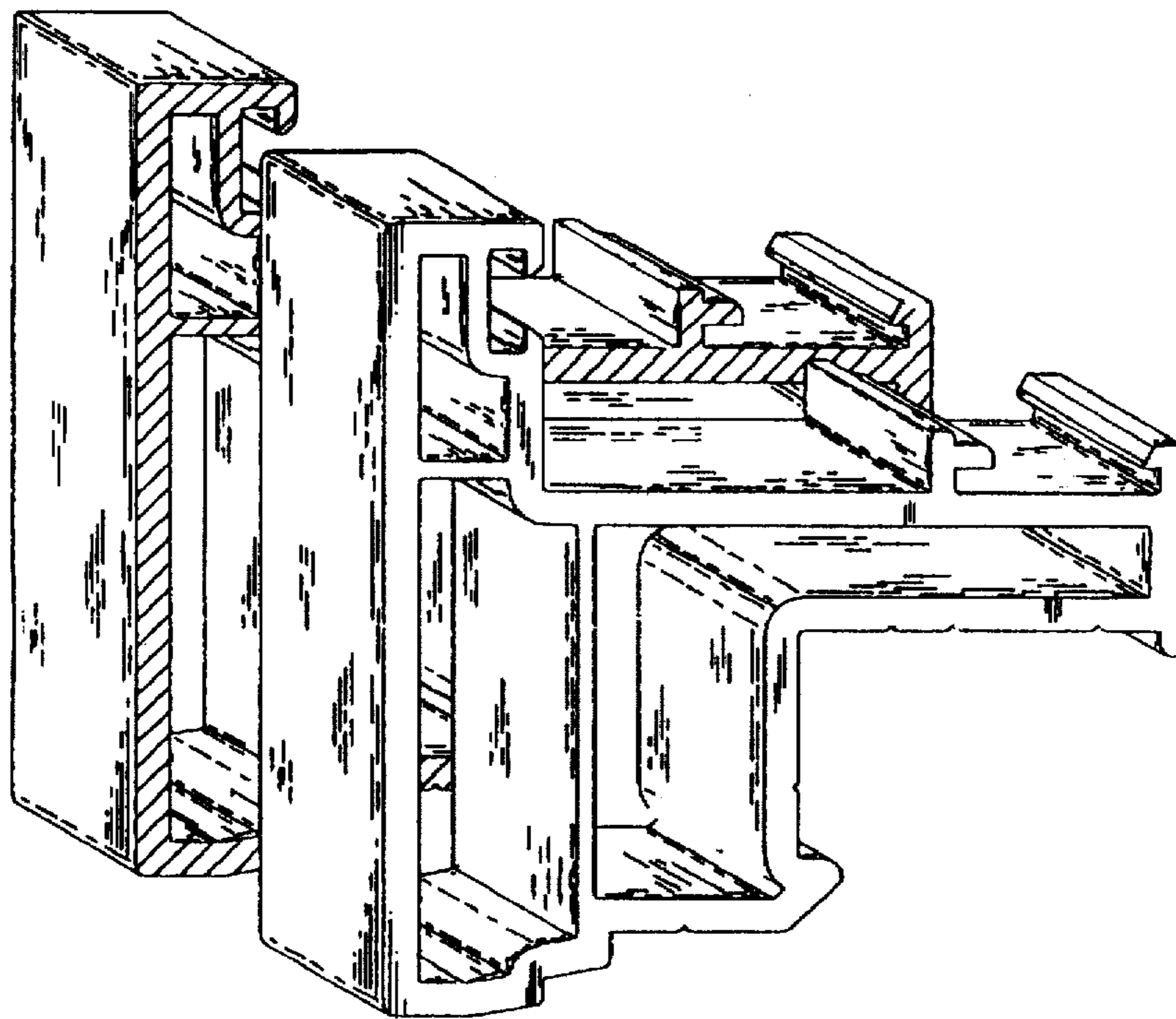
The ornamental design for a window component extrusion, as shown and described.

DESCRIPTION

FIG. 1 is a top right perspective view of the window component extrusion which is broken in the center indicating indefinite length; and,

FIG. 2 is a bottom left perspective view of the window component extrusion shown in FIG. 1.

1 Claim, 1 Drawing Sheet



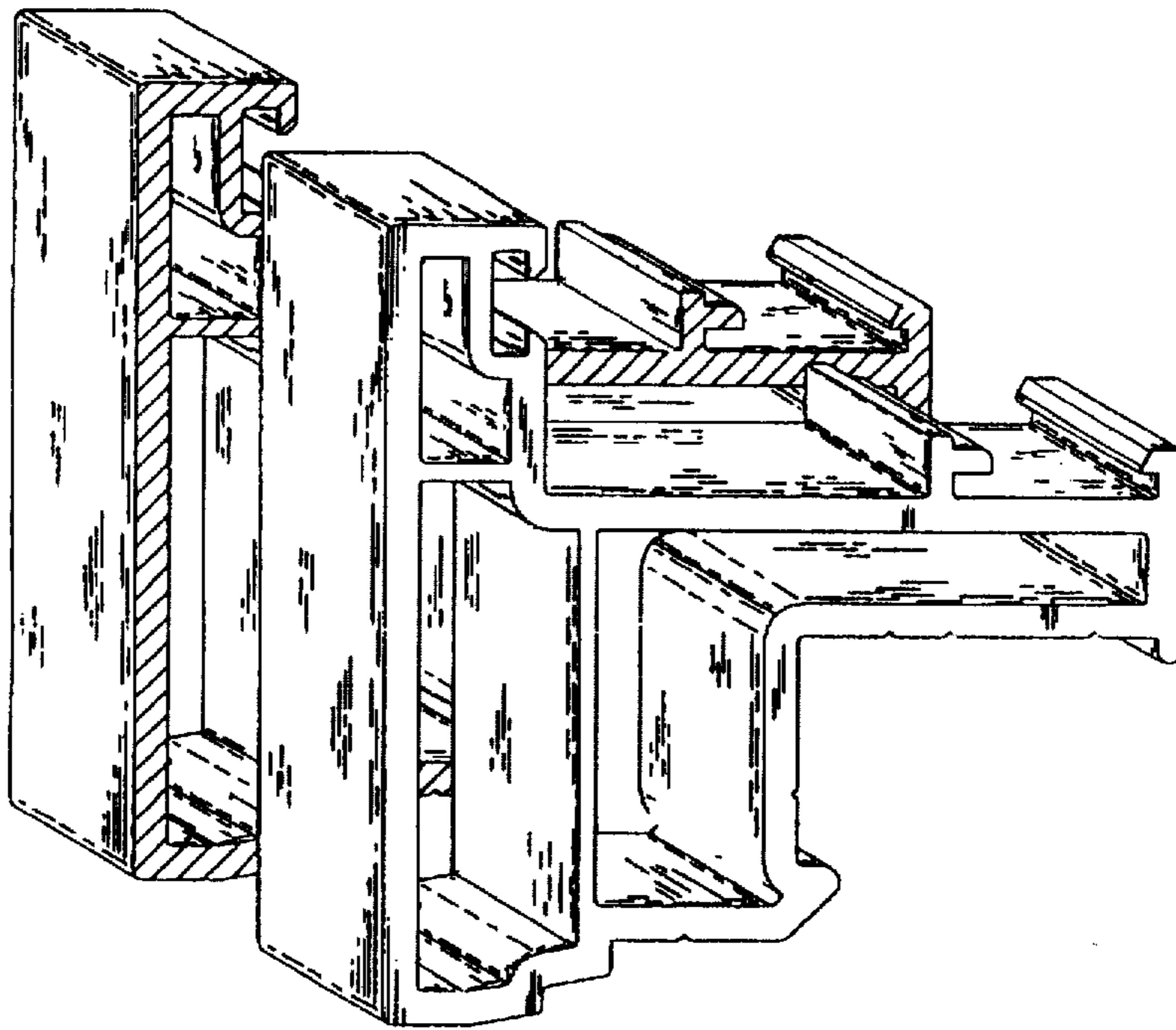


FIG. 1

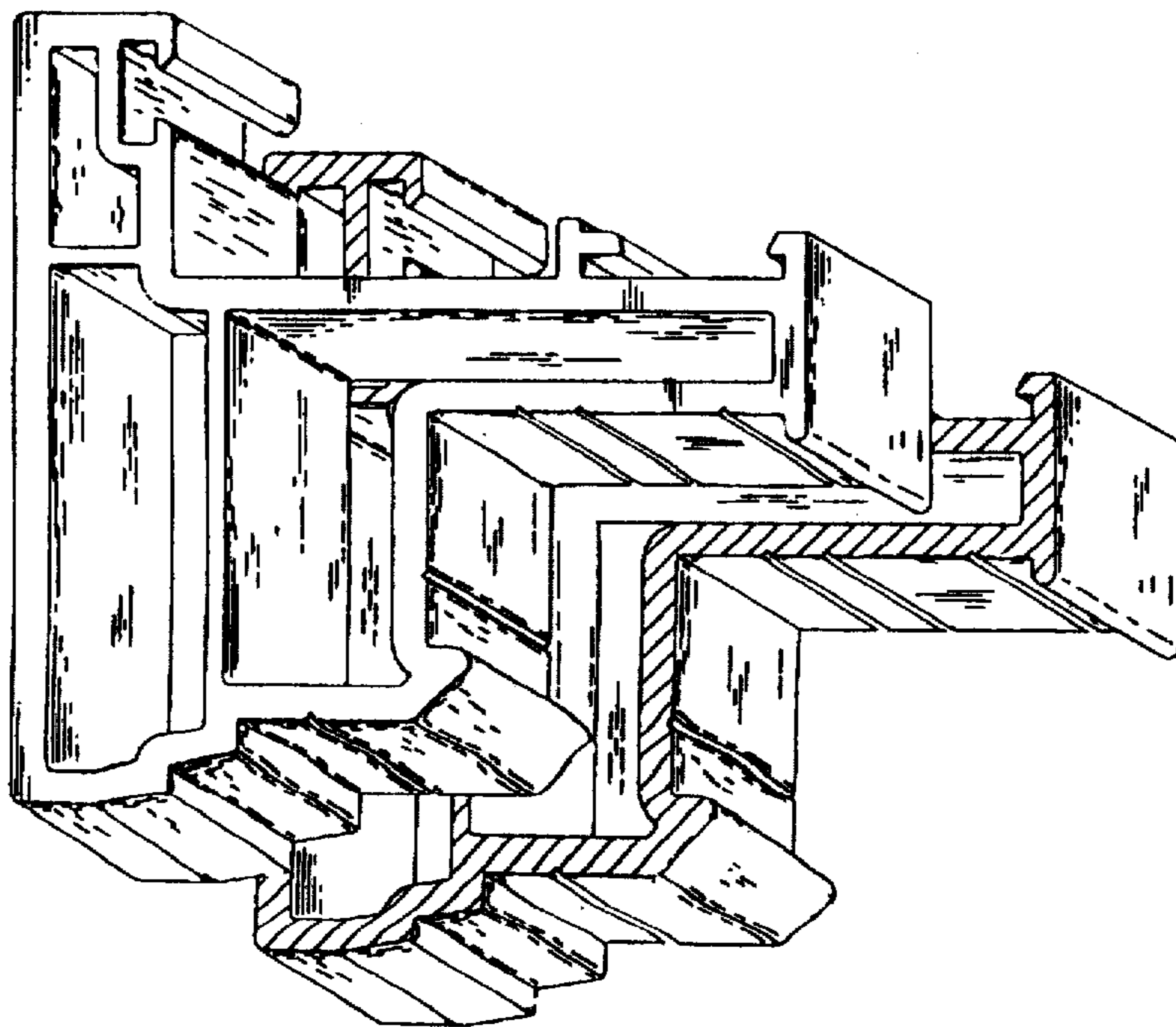


FIG. 2