



US00D390974S

# United States Patent [19]

Opielski et al.

[11] Patent Number: **Des. 390,974**

[45] Date of Patent: **\*\*Feb. 17, 1998**

[54] **WINDOW COMPONENT EXTRUSION**

[75] Inventors: **Brian C. Opielski**, Malvern; **Jeffrey B. Hersh**, Wayne, both of Pa.; **Ann Moss**, Boonsboro, Md.; **Chandrabas Gandhi**, Butler, Pa.; **Dennis Westphal**, Parma, Mich.

[73] Assignee: **CertainTeed Corporation**, Valley Forge, Pa.

[\*\*] Term: **14 Years**

[21] Appl. No.: **63,502**

[22] Filed: **Dec. 9, 1996**

[51] LOC (6) Cl. .... **25-01**

[52] U.S. Cl. .... **D25/124**

[58] Field of Search ..... D25/124, 60; 52/202, 52/203, 204; 49/DIG. 2, 501, 504

[56] **References Cited**

**U.S. PATENT DOCUMENTS**

D. 338,971 8/1993 Moss et al. .... D25/124  
D. 375,806 11/1996 Goss ..... D25/124

*Primary Examiner*—Doris Clark

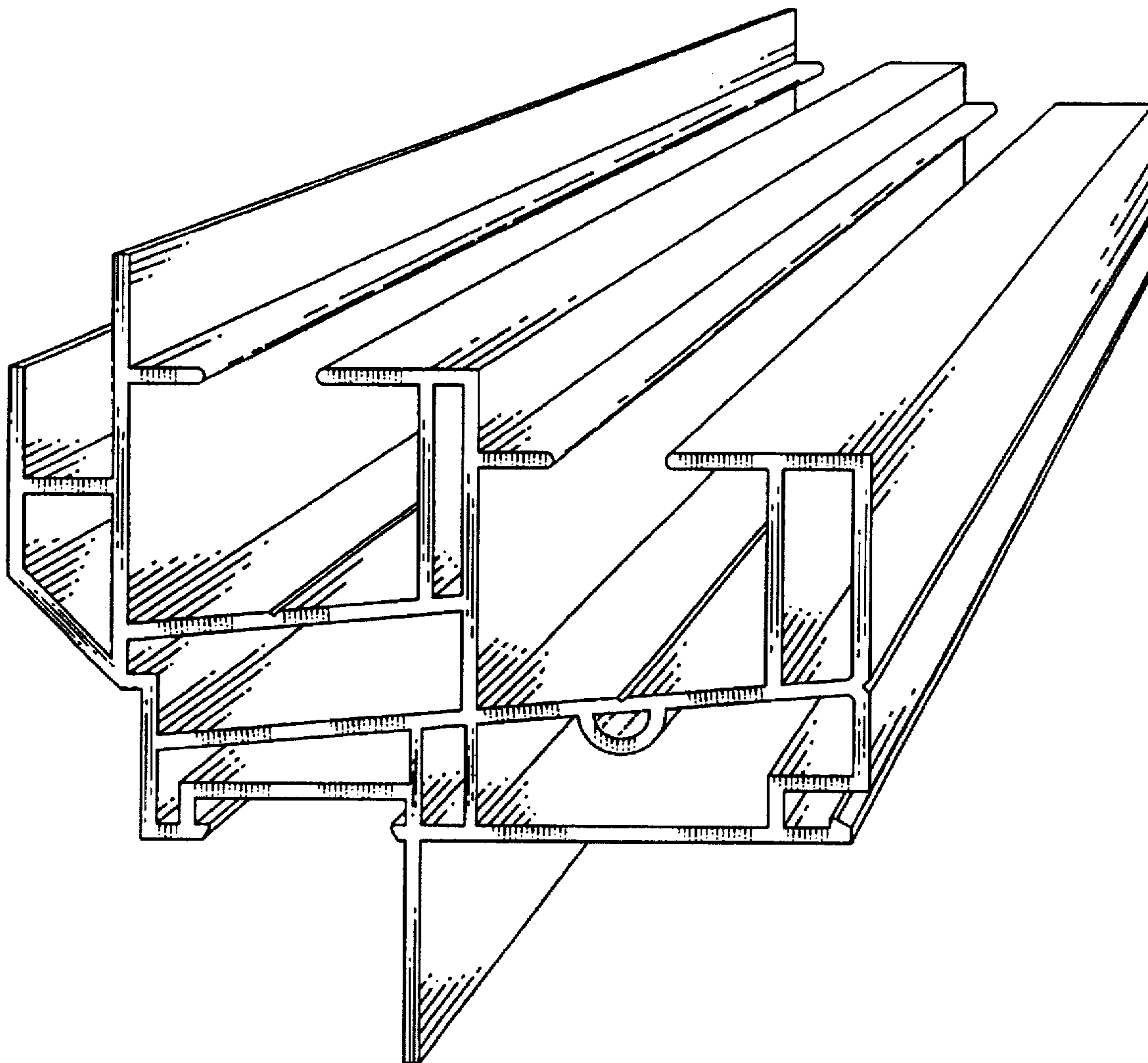
[57] **CLAIM**

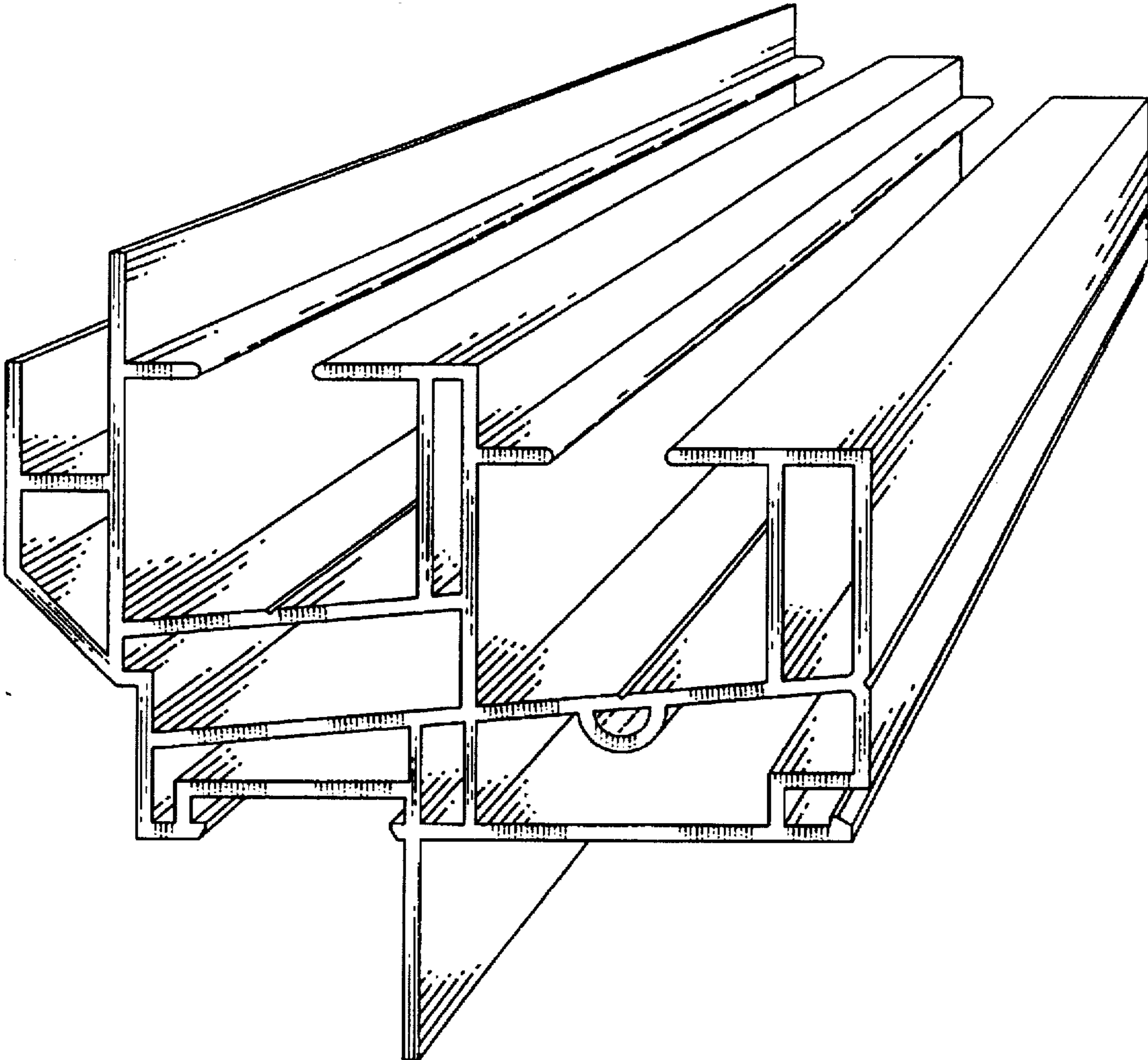
The ornamental design for a window component extrusion, as shown and described.

**DESCRIPTION**

The FIGURE is a front perspective view of a window component extrusion showing our new design, the rear perspective view being a mirror image thereof.

**1 Claim, 1 Drawing Sheet**





*THE FIGURE*