



US00D390970S

# United States Patent [19]

[11] Patent Number: **Des. 390,970**

Abrams

[45] Date of Patent: **\*\*Feb. 17, 1998**

[54] **MANUFACTURED FUNERAL HOME STRUCTURE**

*Primary Examiner*—Doris Clark  
*Attorney, Agent, or Firm*—Sonnenschein Nath & Rosenthal

[76] Inventor: **Richard N. Abrams**, 480 Central Ave., Northfield, Ill. 60093

[57] **CLAIM**

[\*\*] Term: **14 Years**

The ornamental design for a manufactured funeral home structure, as shown and described.

[21] Appl. No.: **64,471**

### DESCRIPTION

[22] Filed: **Jan. 2, 1997**

FIG. 1 is a top, right perspective view of a manufactured funeral home structure in accordance with my new design; FIG. 2 is a front elevational view thereof; FIG. 3 is a rear elevational view thereof; FIG. 4 is a left side elevational view thereof; FIG. 5 is a right side elevational view thereof; and, FIG. 6 is a top plan view thereof.

[51] LOC (6) Cl. .... **25-03**

[52] U.S. Cl. .... **D25/22; D25/1**

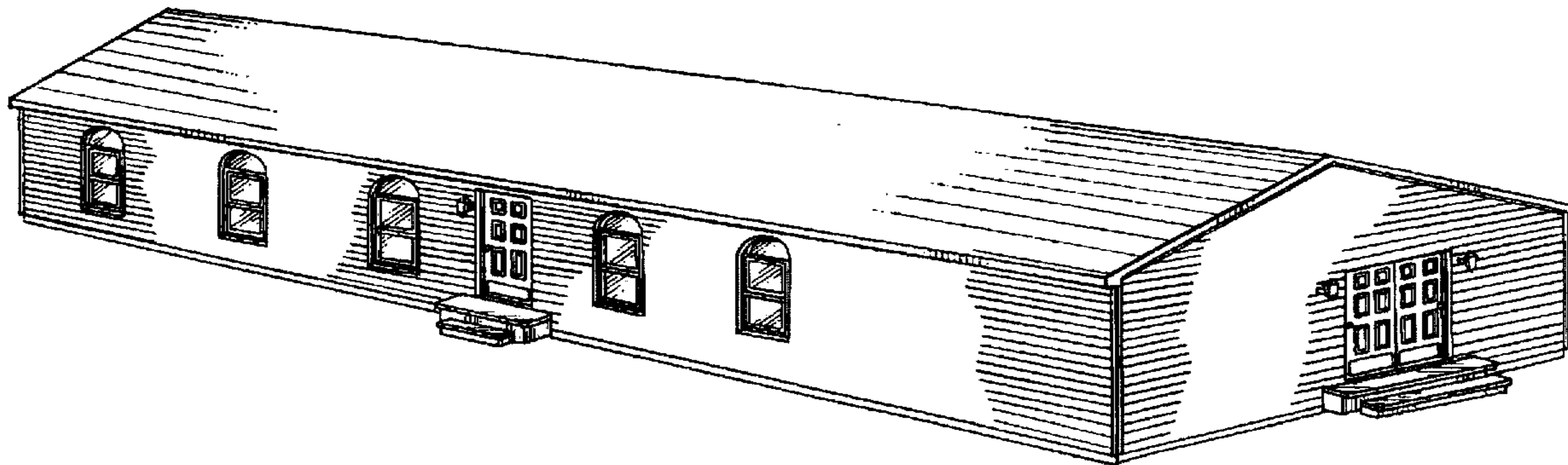
[58] Field of Search .... **D25/29-22, 23**

### [56] **References Cited**

#### U.S. PATENT DOCUMENTS

- D. 238,270 12/1975 Baker ..... D25/22
- D. 334,066 3/1993 McGrath ..... D25/1

**1 Claim, 3 Drawing Sheets**



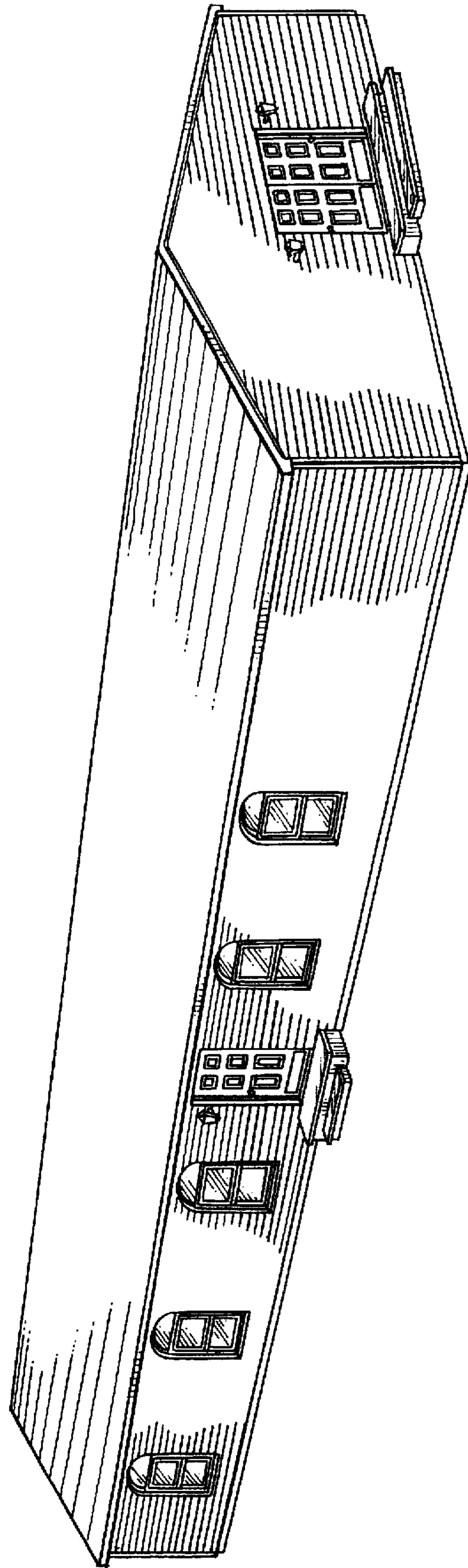


FIG. 1

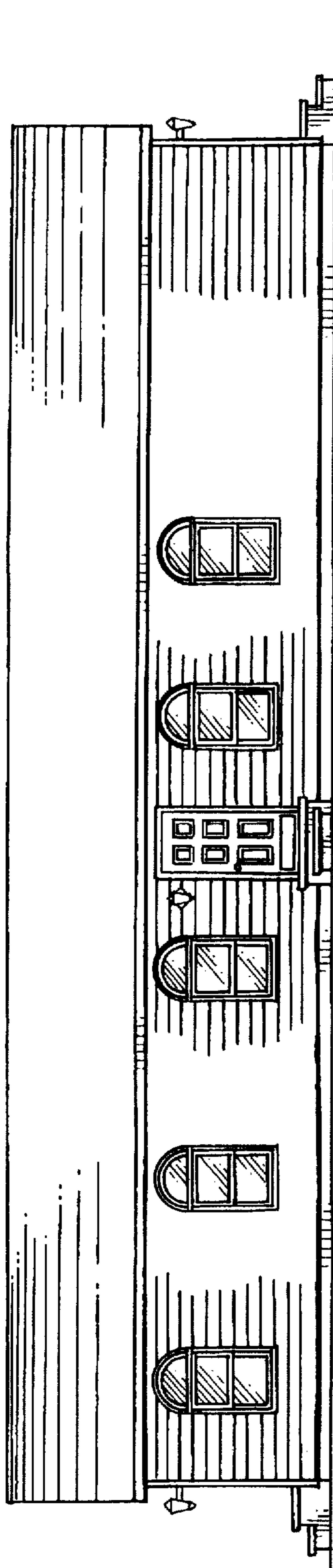


FIG. 2

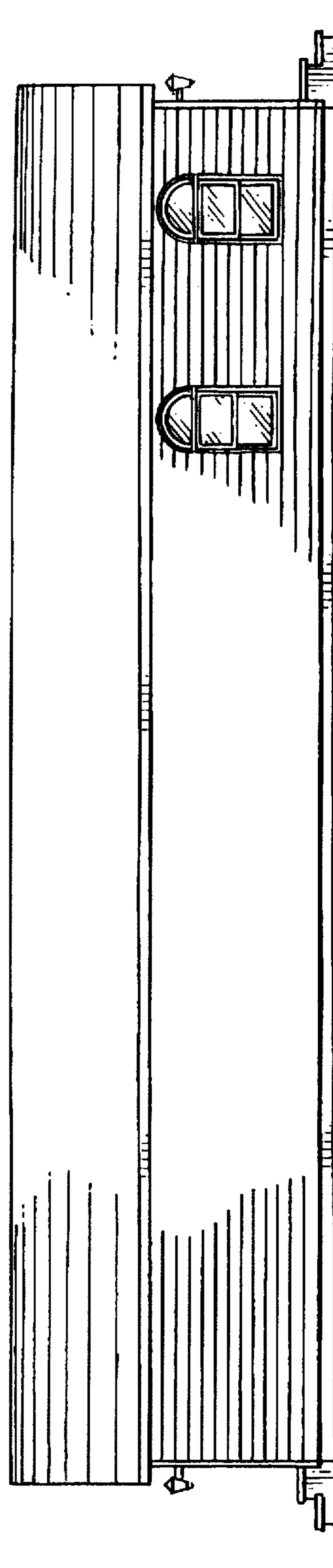


FIG. 3

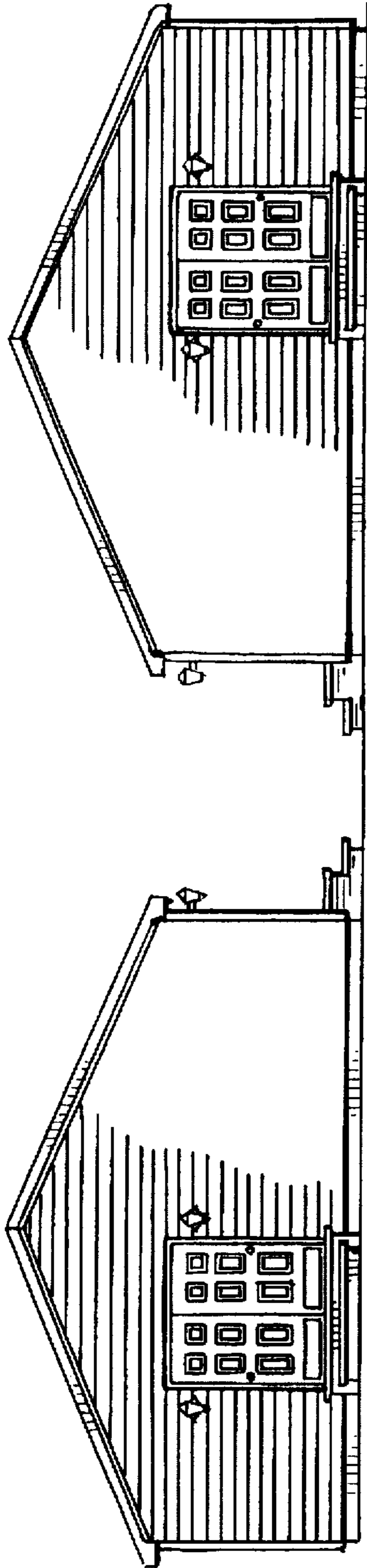


FIG. 5

FIG. 4

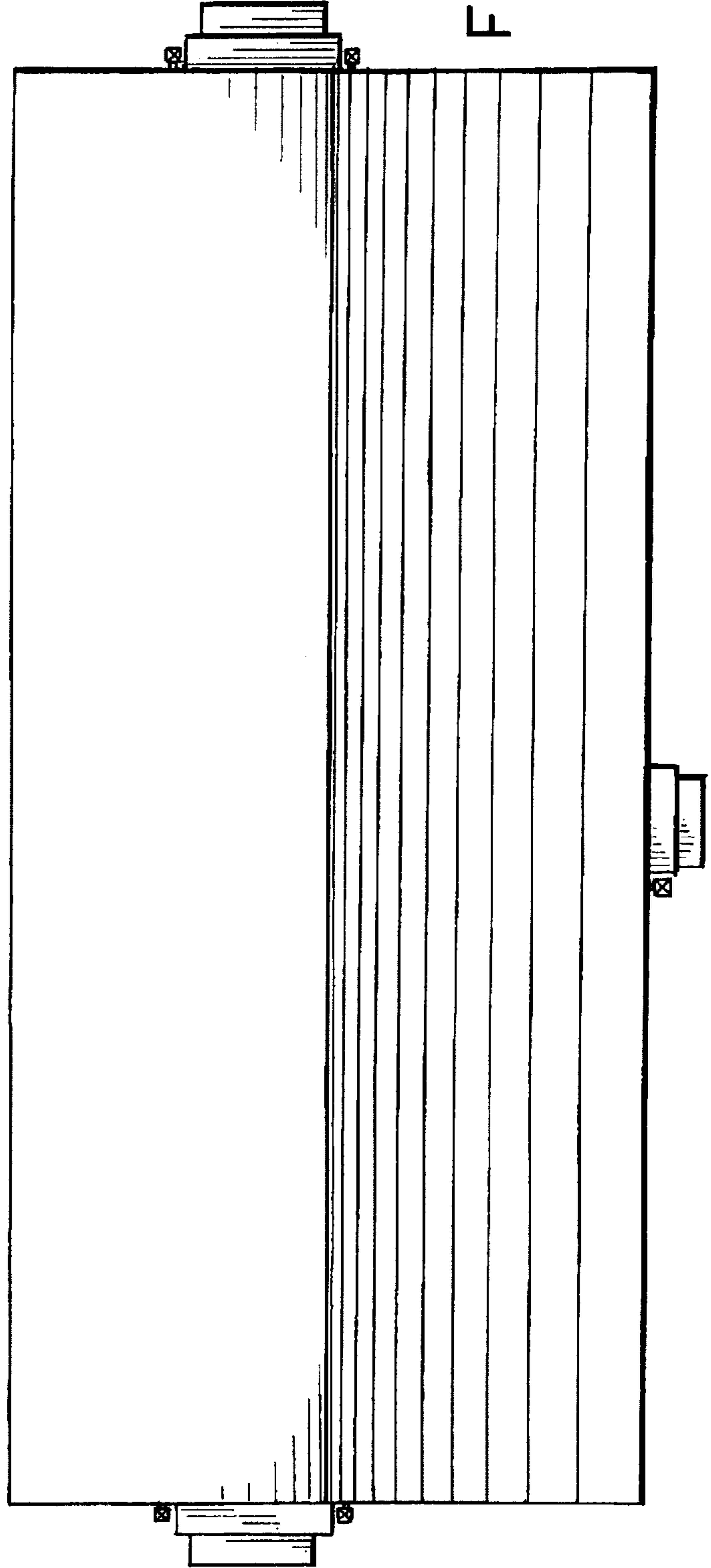


FIG. 6