



US00D390969S

United States Patent [19]

Hsu

[11] Patent Number: **Des. 390,969**

[45] Date of Patent: ****Feb. 17, 1998**

[54] **WINDMILL**

4,382,190 5/1983 Jacobson 416/197 A
5,454,694 10/1995 O'Dell 416/197 A

[75] Inventor: **Kao-Jung Hsu**, No 11, Lane 103
Chung-Feng Rd, Ping Cheng City,
Taoyuan, Taiwan

Primary Examiner—Doris Clark

[73] Assignee: **Kao-Jung Hsu**, TaoYuan, Taiwan

[57] **CLAIM**

[**] Term: **14 Years**

The ornamental design for a windmill, as shown.

[21] Appl. No.: **69,362**

DESCRIPTION

[22] Filed: **Apr. 18, 1997**

FIG. 1 is a perspective view of a windmill showing my design;

[51] LOC (6) Cl. **25-03**

FIG. 2 is a front elevational view thereof;

[52] U.S. Cl. **D25/1**

FIG. 3 is a rear elevational view thereof;

[58] Field of Search D25/1; 416/197 A,
416/196 A; D13/115

FIG. 4 is a right side elevational view thereof, the left side being a mirror image of the right side shown; and,

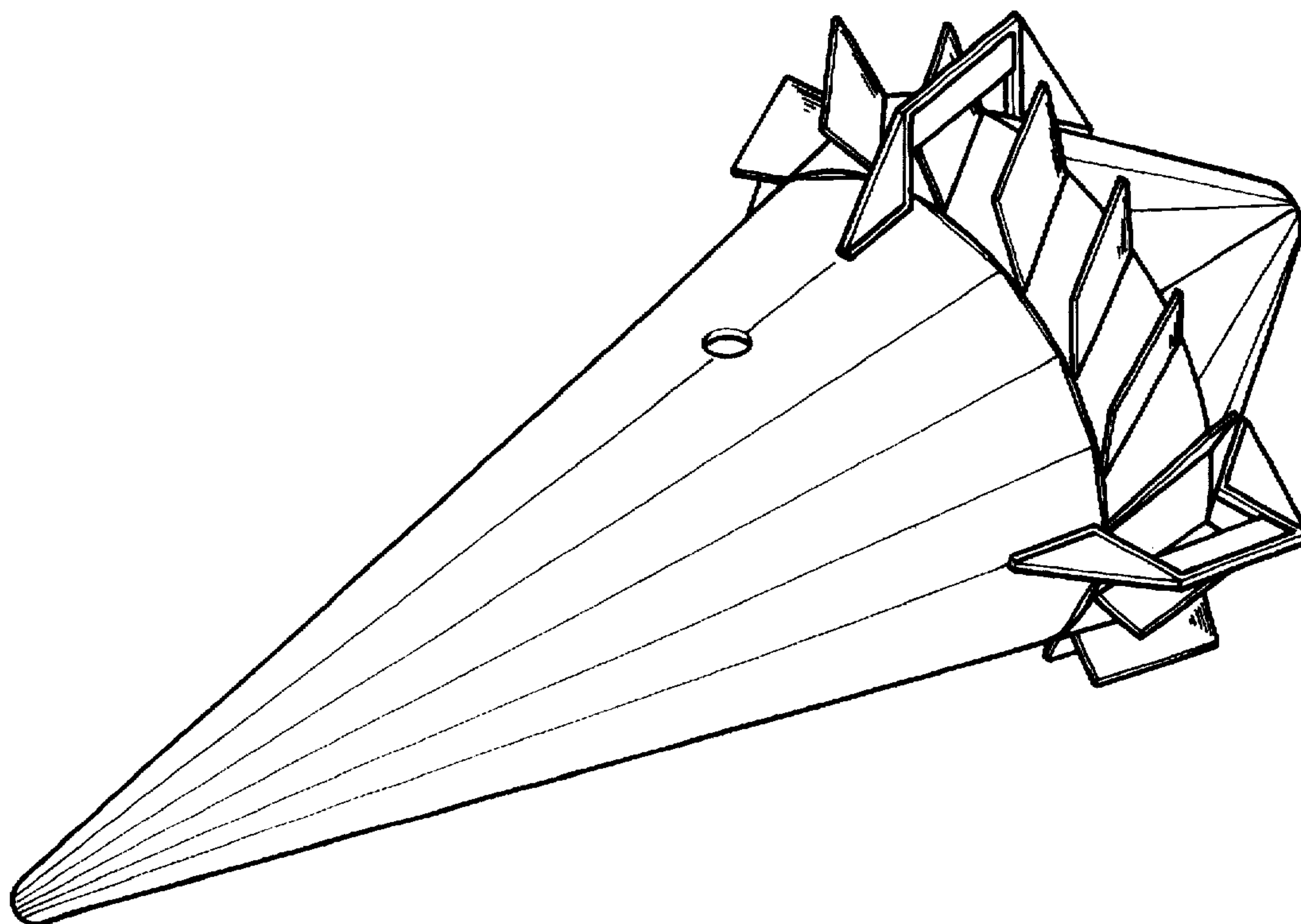
FIG. 5 is a top plan view thereof, the bottom plan being a mirror image of the top plan view.

[56] **References Cited**

U.S. PATENT DOCUMENTS

D. 336,762 6/1993 Miller D25/1

1 Claim, 4 Drawing Sheets



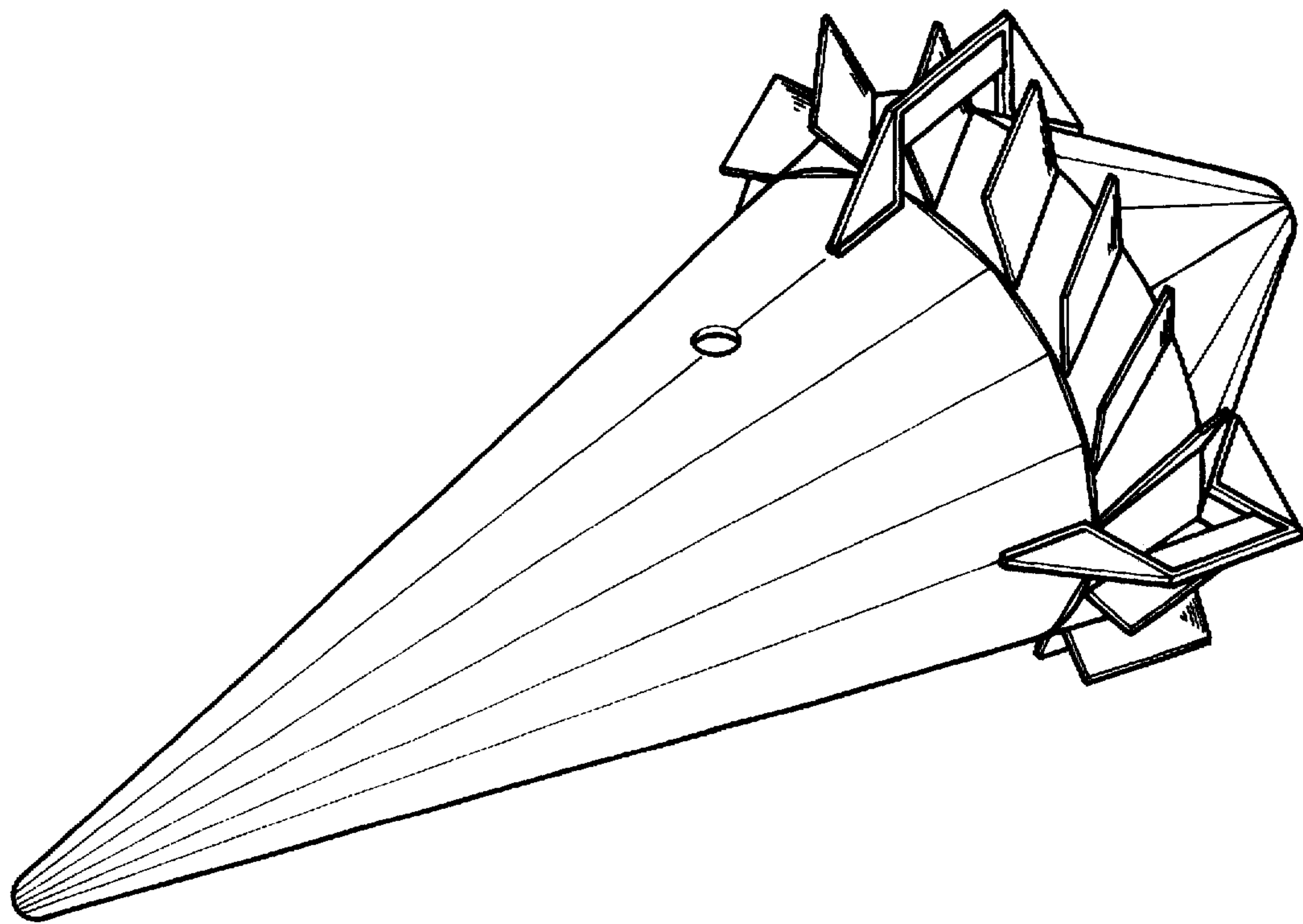


FIG . 1

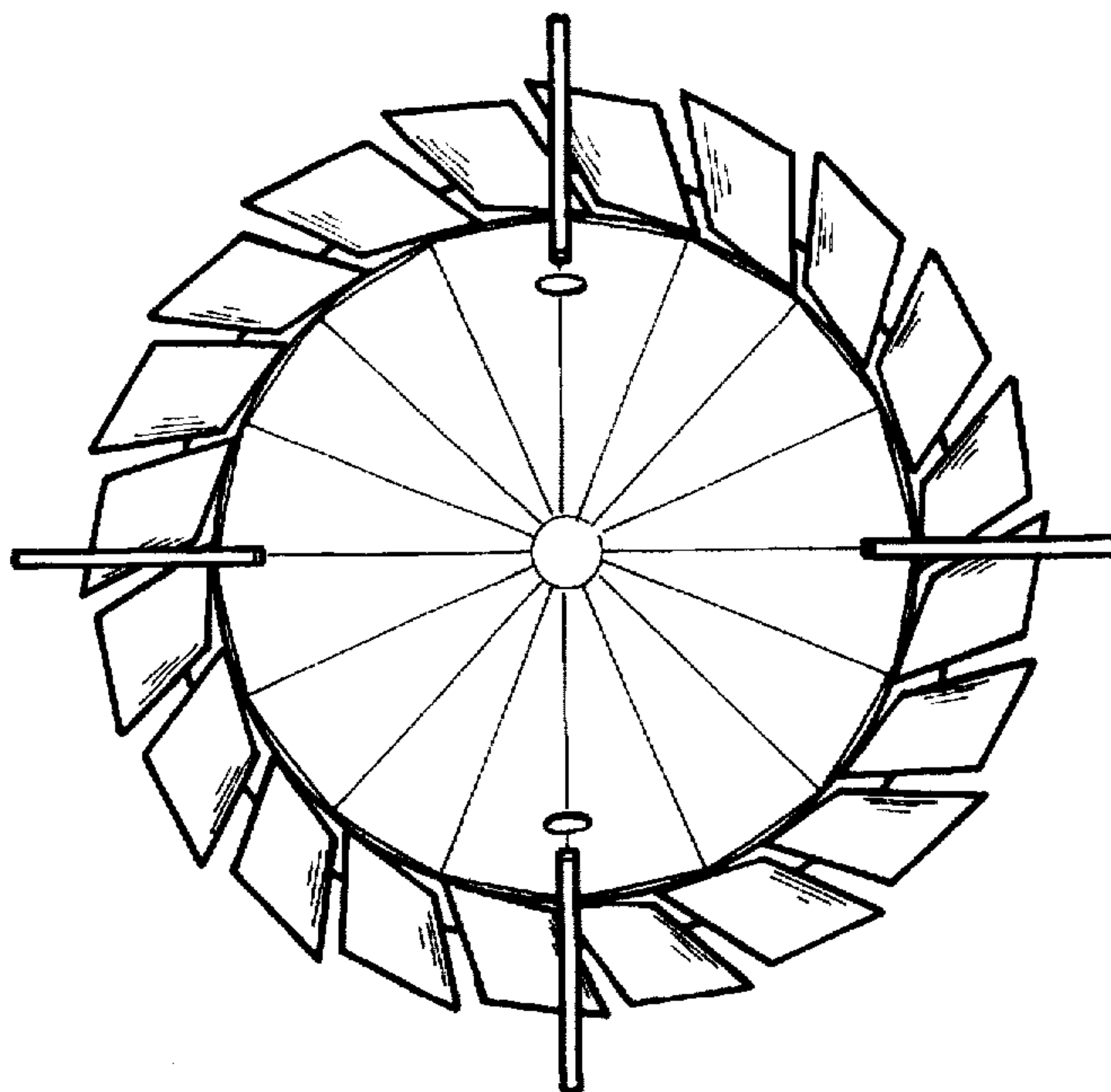


FIG. 2

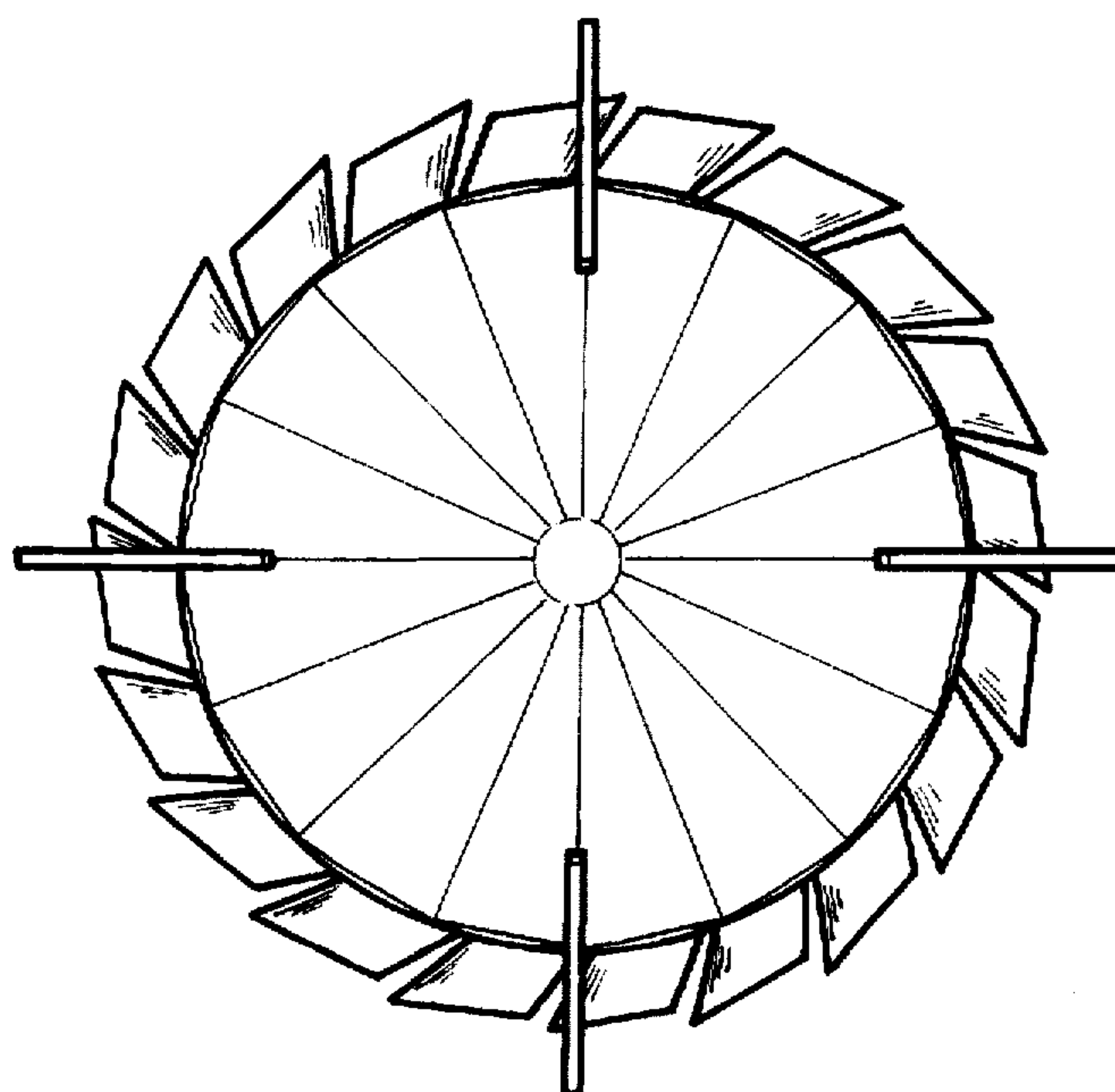


FIG. 3

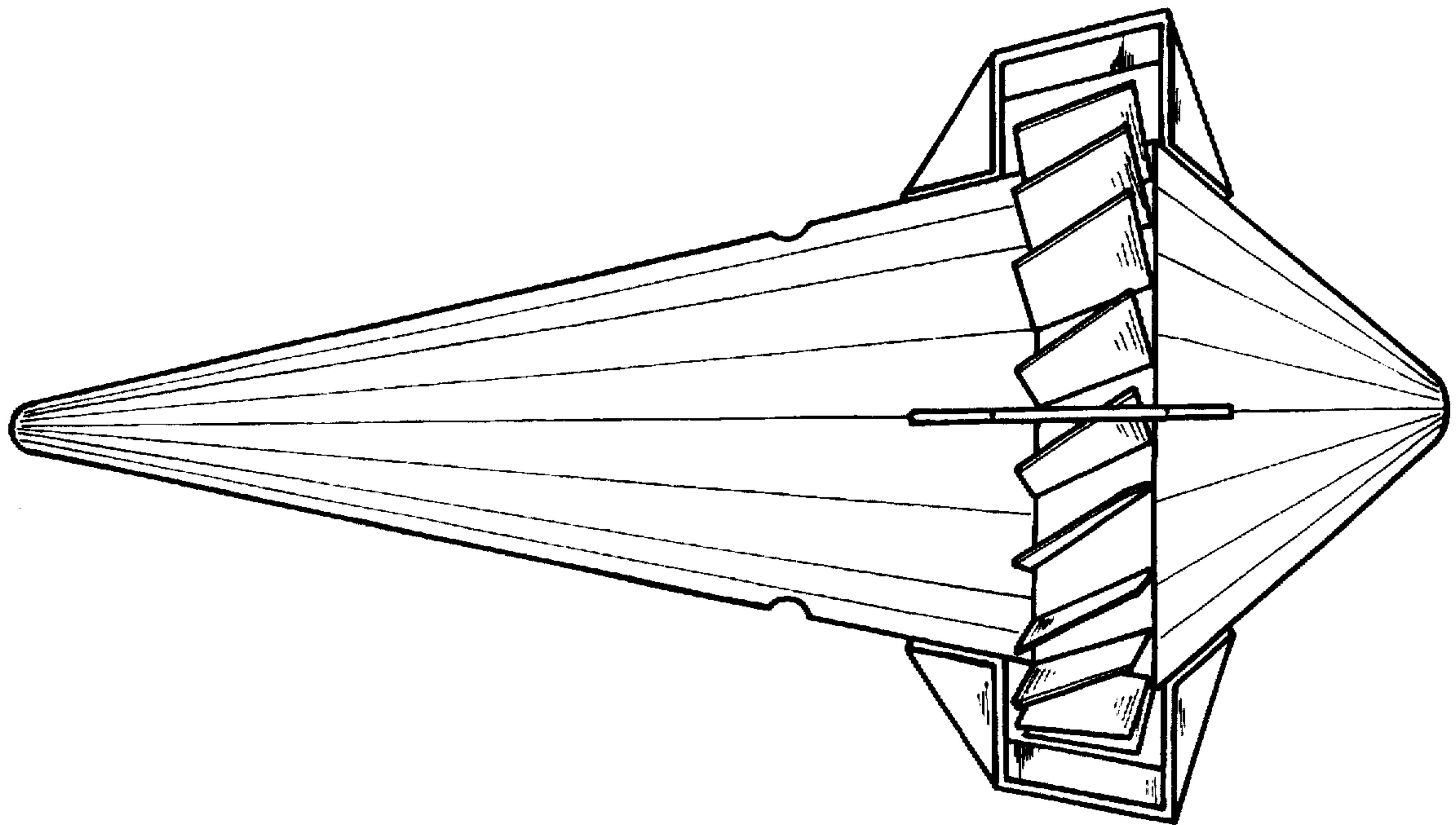


FIG. 4

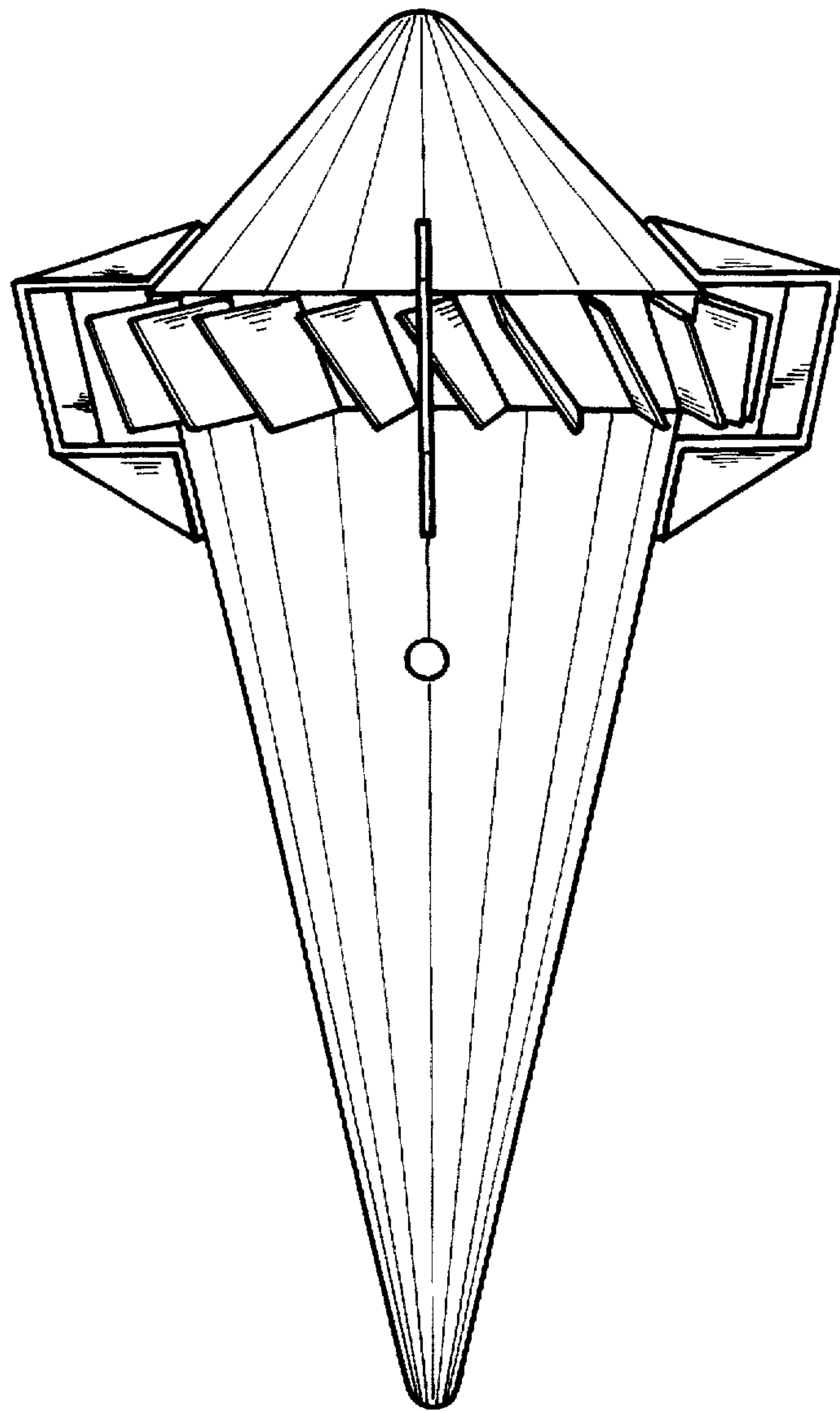


FIG. 5