



US00D390968S

United States Patent [19]

Kummerfeld

[11] Patent Number: **Des. 390,968**

[45] Date of Patent: ****Feb. 17, 1998**

[54] **CEILING-MOUNTED SUPPLY UNIT FOR A MEDICAL WORKSTATION**

4,934,933 6/1990 Fuchs 312/209 X
5,299,338 4/1994 Foster 312/209 X

[75] Inventor: **Ryszard Kummerfeld**, Travemuende, Germany

Primary Examiner—Stella Reid
Attorney, Agent, or Firm—Caesar, Rivise, Bernstein, Cohen & Pokotilow, Ltd.

[73] Assignee: **Draegerwerk AG**, Luebeck, Germany

[57] **CLAIM**

[**] Term: **14 Years**

The ornamental design for a ceiling-mounted supply unit for a medical workstation, as shown and described.

[21] Appl. No.: **48,509**

DESCRIPTION

[22] Filed: **Jan. 2, 1996**

[30] **Foreign Application Priority Data**

Jul. 15, 1995 [DE] Germany 95-05, 705.6

FIG. 1 is a front elevational view of a ceiling-mounted supply unit for a medical workstation, showing my new design;

[51] LOC (6) Cl. **24-01**

FIG. 2 is a rear elevational view thereof;

[52] U.S. Cl. **D24/232; D24/232**

FIG. 3 is a left side elevational view thereof;

[58] Field of Search **D24/234, 232,**

D24/185; 248/343; 312/209, 245, 246, 249; 433/79, 77

FIG. 4 is a right side elevational view thereof;

FIG. 5 is a top plan view thereof;

FIG. 6 is a bottom plan view thereof;

[56] **References Cited**

U.S. PATENT DOCUMENTS

D. 222,193 10/1971 Arts D24/185
3,931,452 1/1976 Nilsson 248/343 X
4,452,499 6/1984 Verburg 312/209

FIG. 7 is an enlarged front elevational view of the lower right portion of the ceiling-mounted supply unit for a medical workstation shown in FIG. 1; and,

FIG. 8 is a top, front and right-side perspective view of the ceiling-mounted supply unit for a medical workstation.

1 Claim, 7 Drawing Sheets

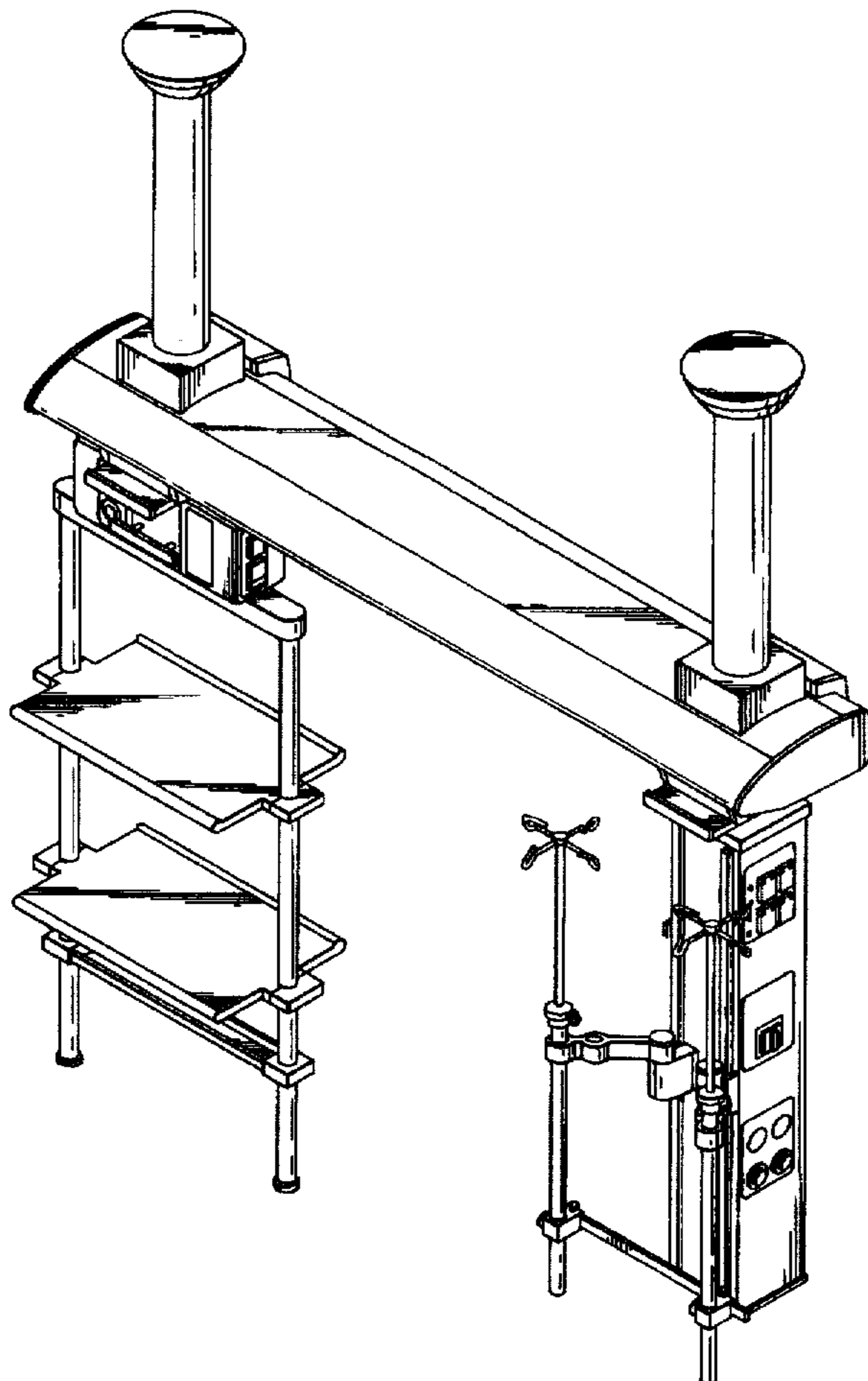


FIG. 1

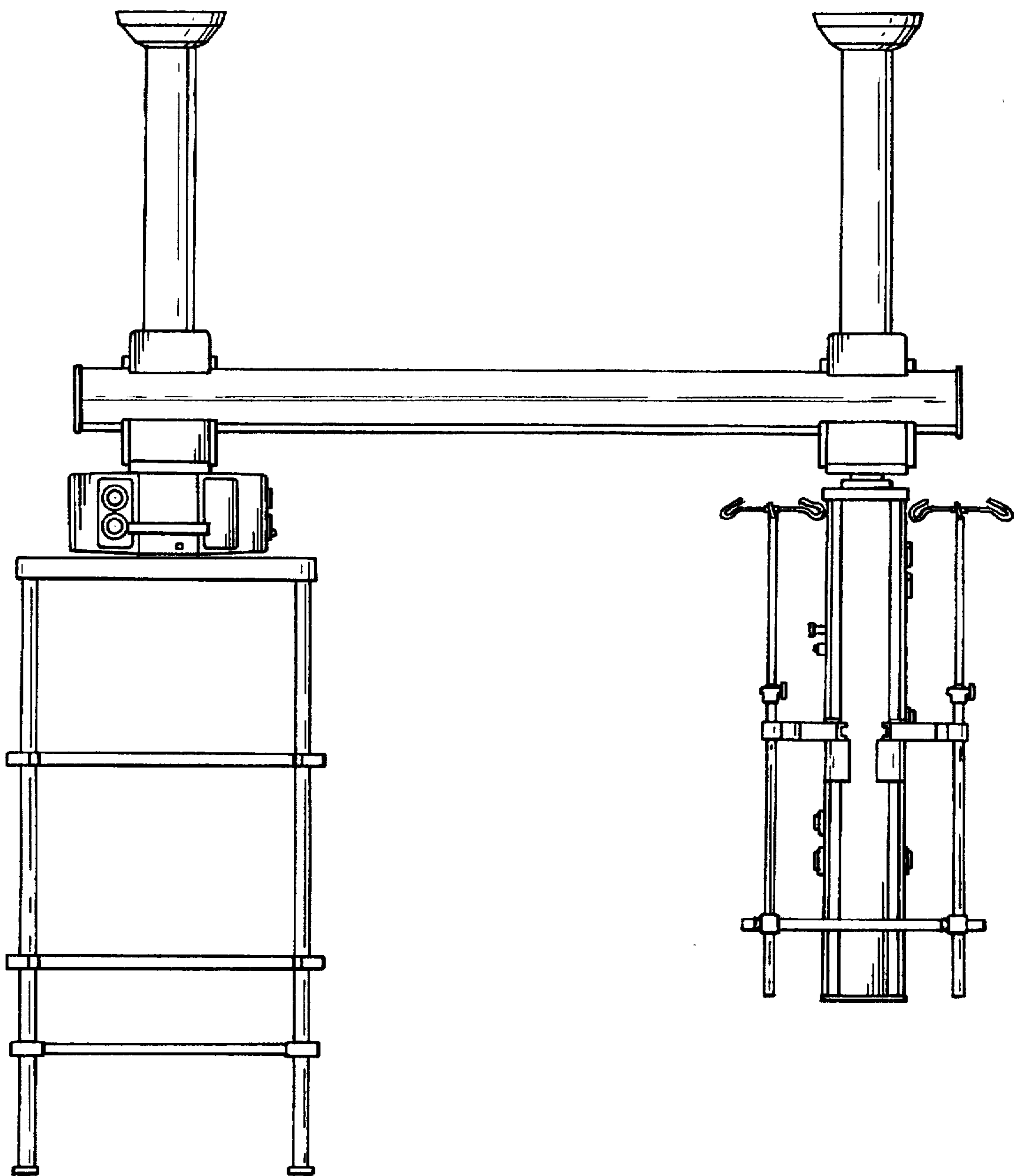


FIG. 2

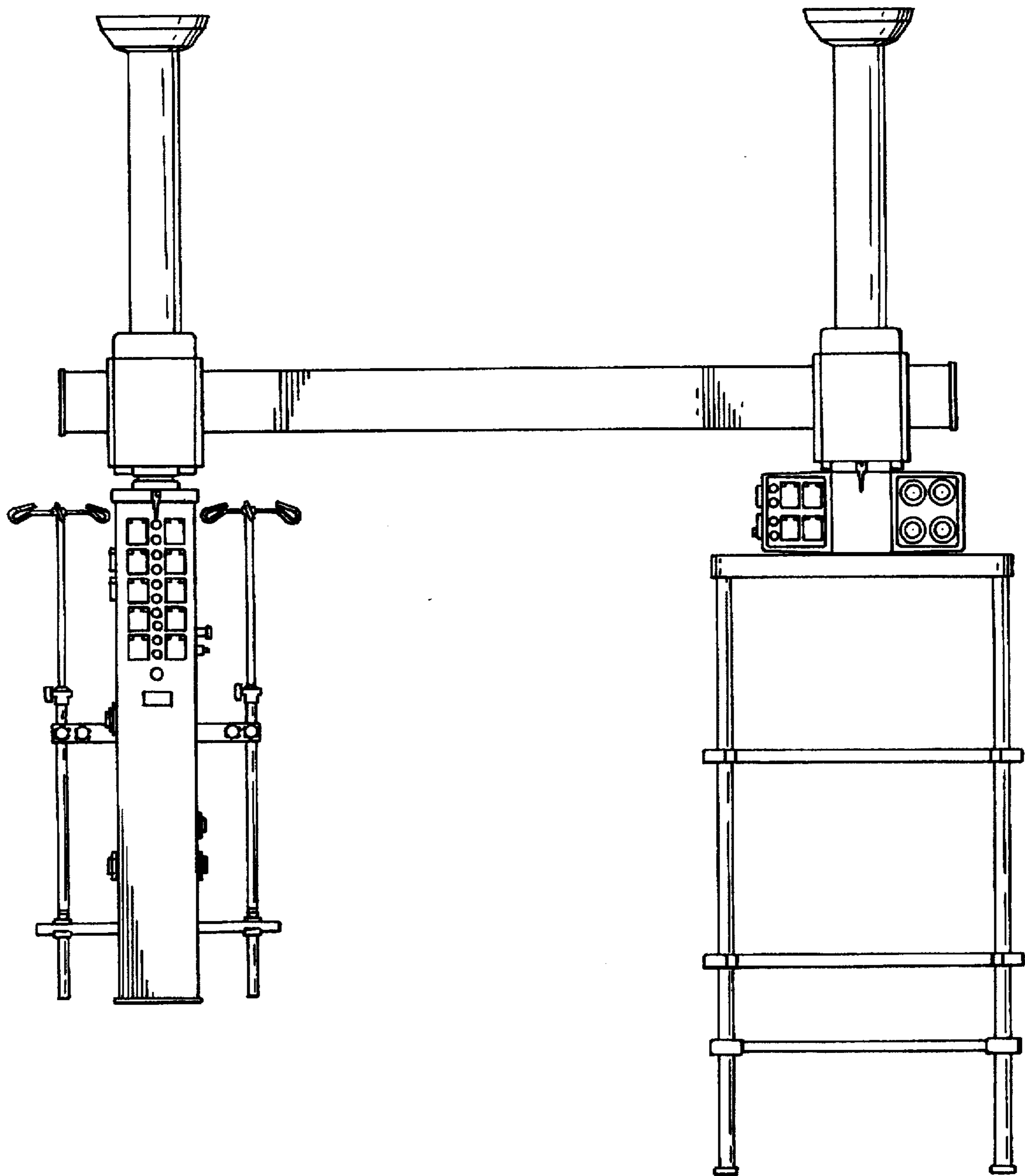


FIG. 3

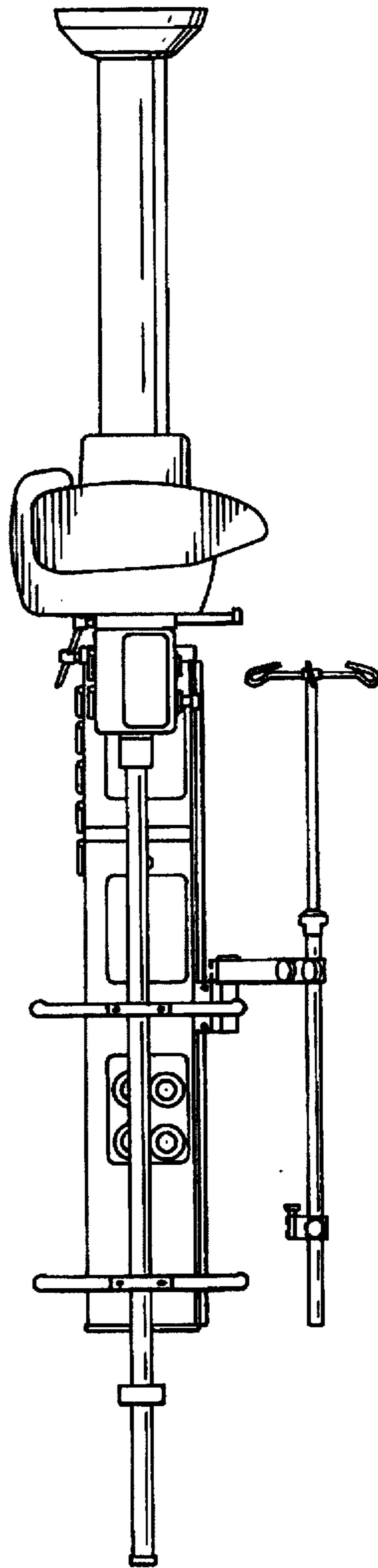


FIG. 4

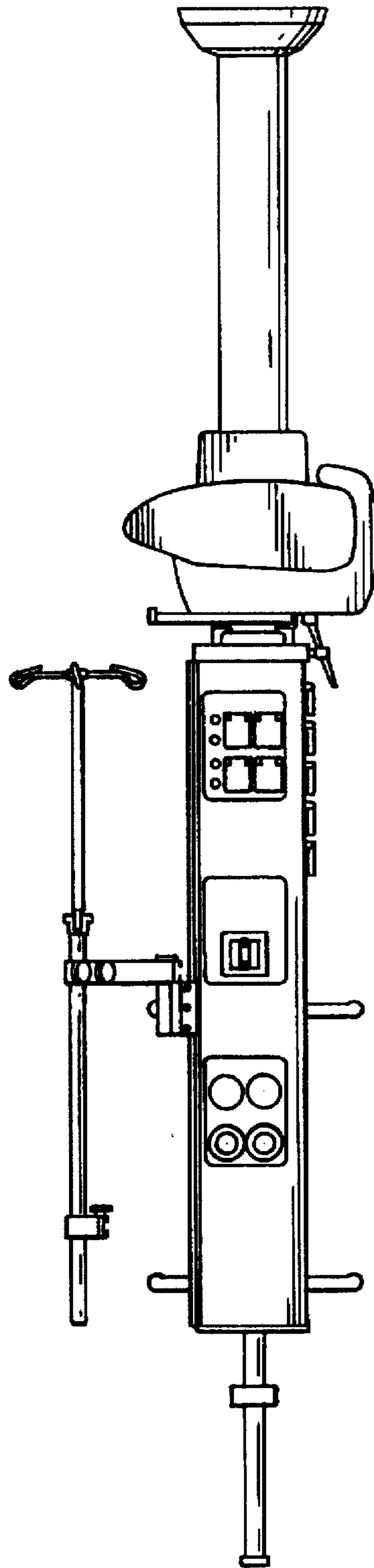


FIG. 5

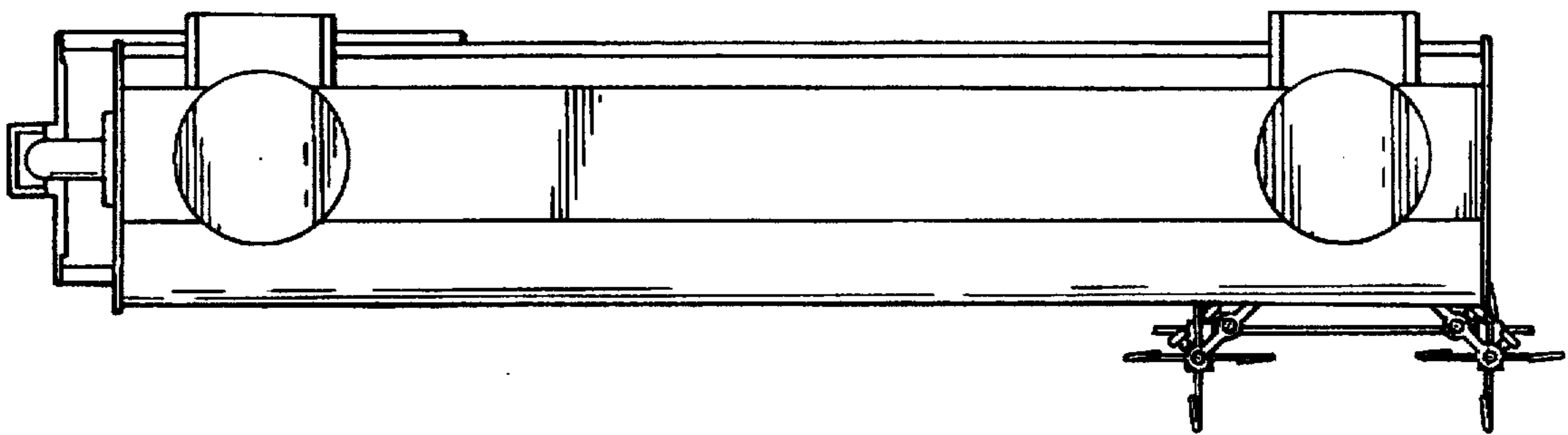


FIG. 6

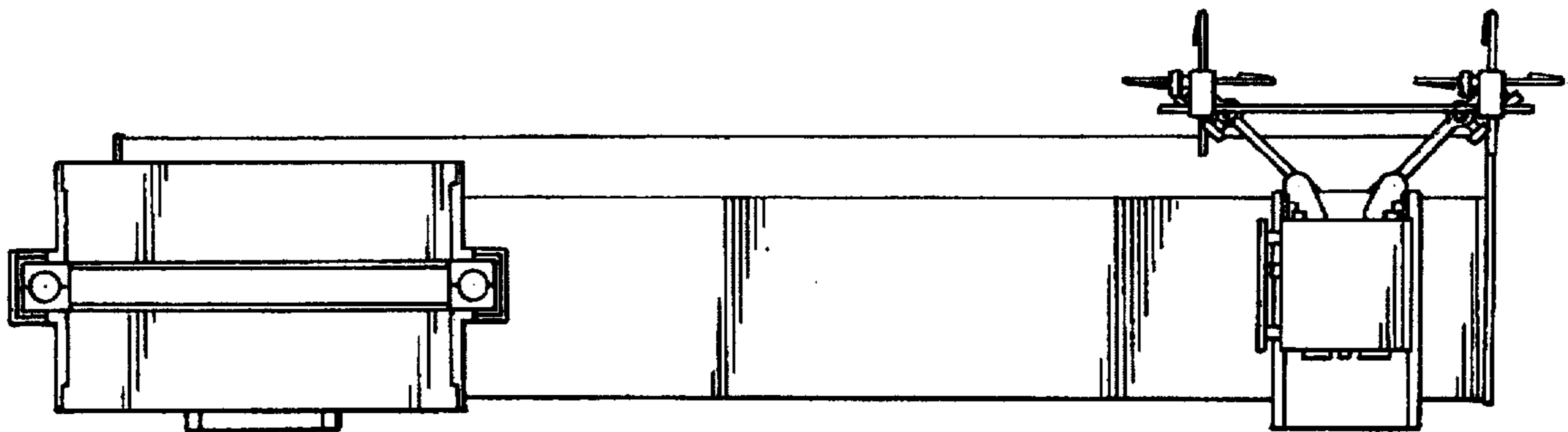


FIG. 7

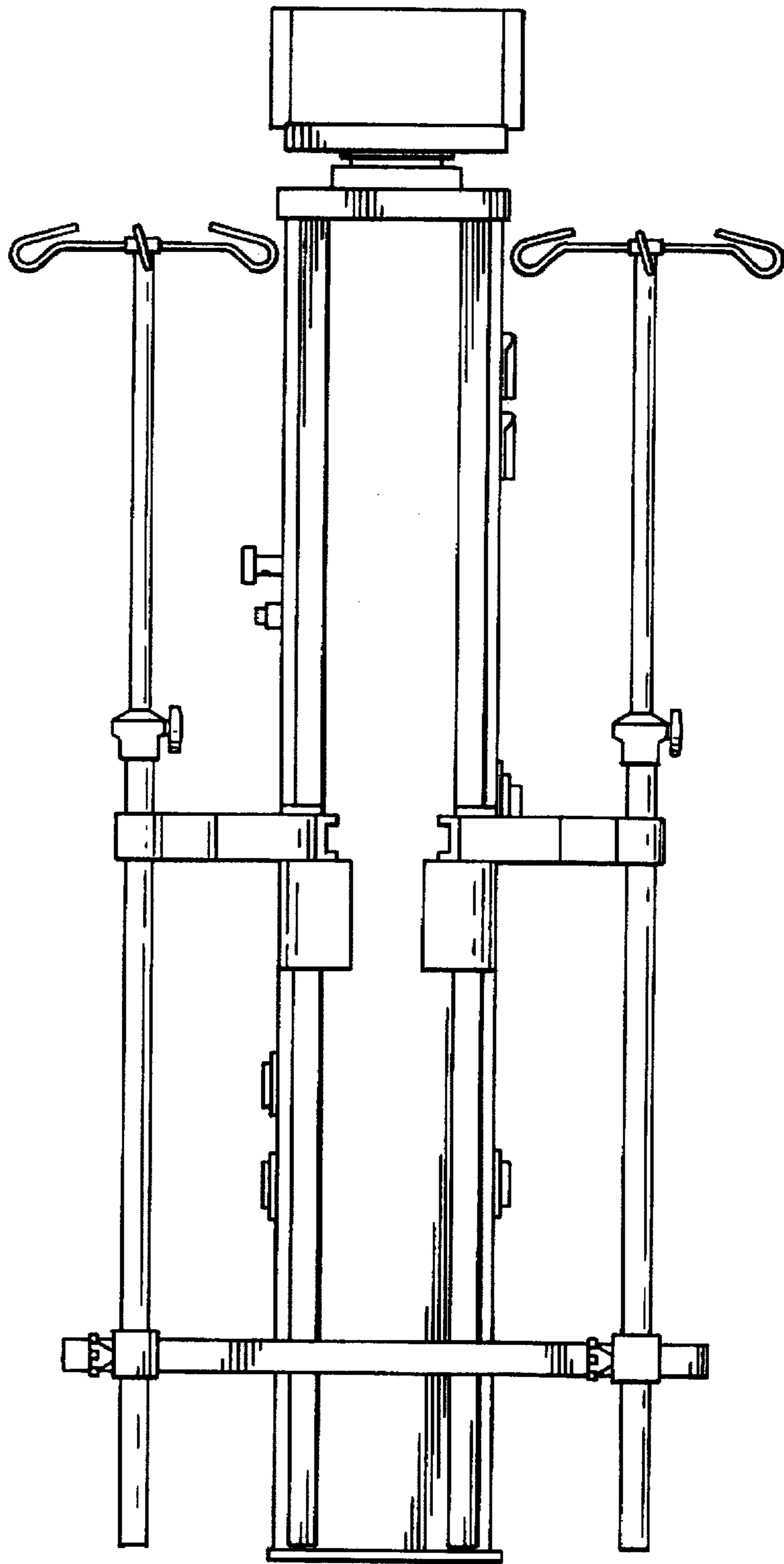


FIG. 8

