



US00D390967S

# United States Patent [19]

[11] Patent Number: **Des. 390,967**

Beuster et al.

[45] Date of Patent: **\*\*Feb. 17, 1998**

[54] **WALL-MOUNTED SUPPLY UNIT FOR A MEDICAL WORKSTATION**

|            |         |                   |       |           |
|------------|---------|-------------------|-------|-----------|
| D. 261,804 | 11/1981 | Foster et al.     | ..... | D24/185   |
| 4,338,485  | 7/1982  | Fullenkamp et al. | ..... | 312/209   |
| 4,905,433  | 3/1990  | Miller            | ..... | D24/185 X |
| 5,107,636  | 4/1992  | Schindele et al.  | ..... | 312/209   |

[75] Inventors: **Helmut Beuster**, Luebeck; **Rudolf Greiff**, Badendorf; **Georg Schlör**; **Bernd Schlichting**, both of Luebeck; **Dirk Lenz**, Bargteheide, all of Germany

*Primary Examiner*—Stella Reid  
*Attorney, Agent, or Firm*—Caesar, Rivise, Bernstein, Cohen & Pokotilow, Ltd.

[73] Assignee: **Draegerwerk AG**, Luebeck, Germany

### [57] CLAIM

[\*\*] Term: **14 Years**

The ornamental design for a wall-mounted supply unit for a medical workstation, as shown and described.

[21] Appl. No.: **48,508**

### DESCRIPTION

[22] Filed: **Jan. 2, 1996**

FIG. 1 is a front elevational view of a wall-mounted supply unit for a medical workstation, showing our new design; FIG. 2 is a rear elevational view thereof; FIG. 3 is a left side elevational view thereof; FIG. 4 is a right side elevational view thereof; FIG. 5 is a top plan view thereof; FIG. 6 is a bottom plan view thereof; FIG. 7 is a top, front and right-side perspective view of the wall-mounted supply unit for a medical workstation; and, FIG. 8 is an enlarged front elevational view of the lower left portion of the wall-mounted supply unit for a medical workstation shown in FIG. 1.

### [30] Foreign Application Priority Data

Jul. 12, 1995 [DE] Germany ..... M 95-05686.6

[51] LOC (6) Cl. .... **24-01**

[52] U.S. Cl. .... **D24/232; D24/232**

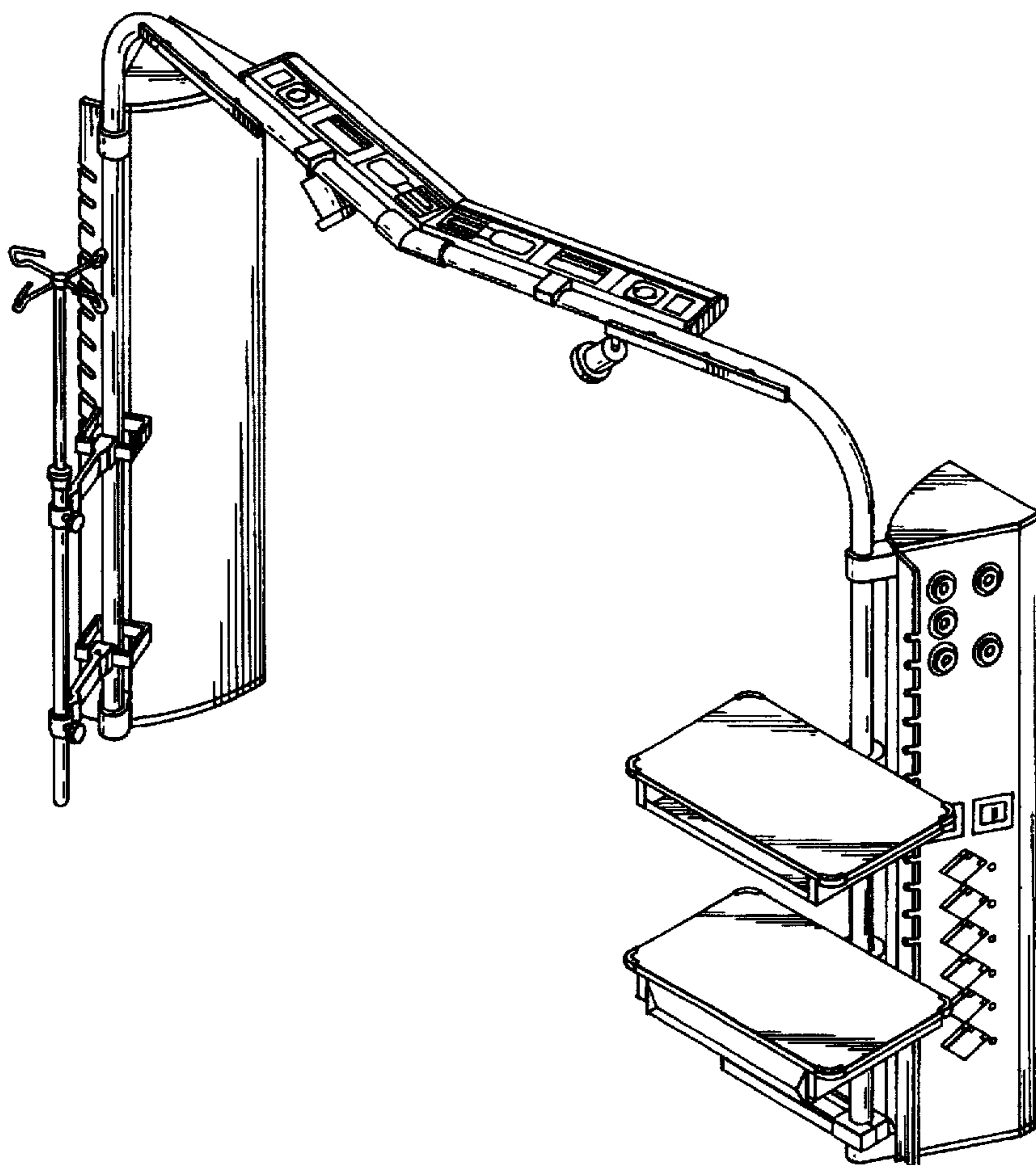
[58] Field of Search ..... **D24/234, 232, D24/185; 312/209, 245, 246, 247**

### [56] References Cited

#### U.S. PATENT DOCUMENTS

D. 199,772 12/1964 Boteler ..... D24/185

**1 Claim, 6 Drawing Sheets**



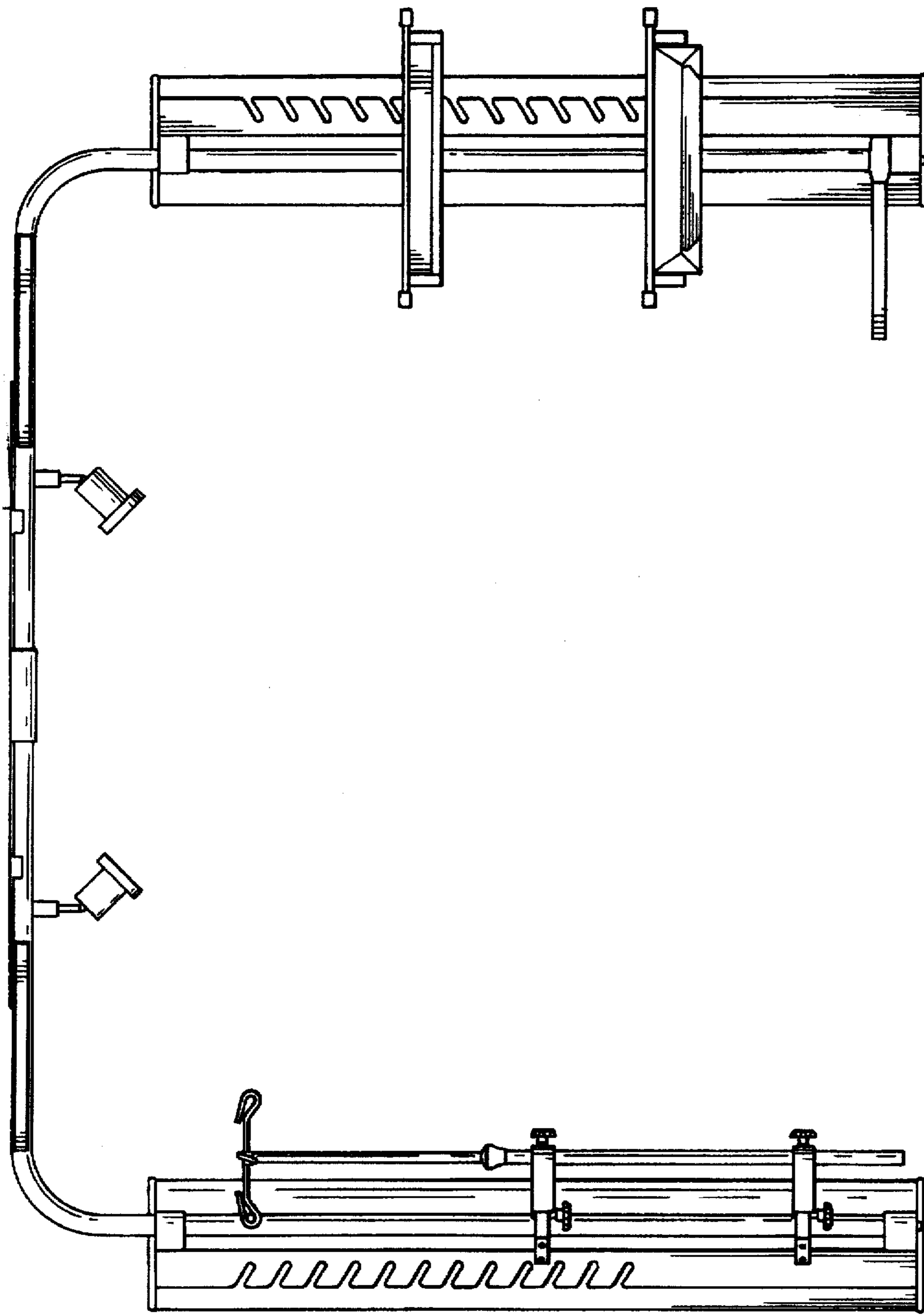


FIG. 1

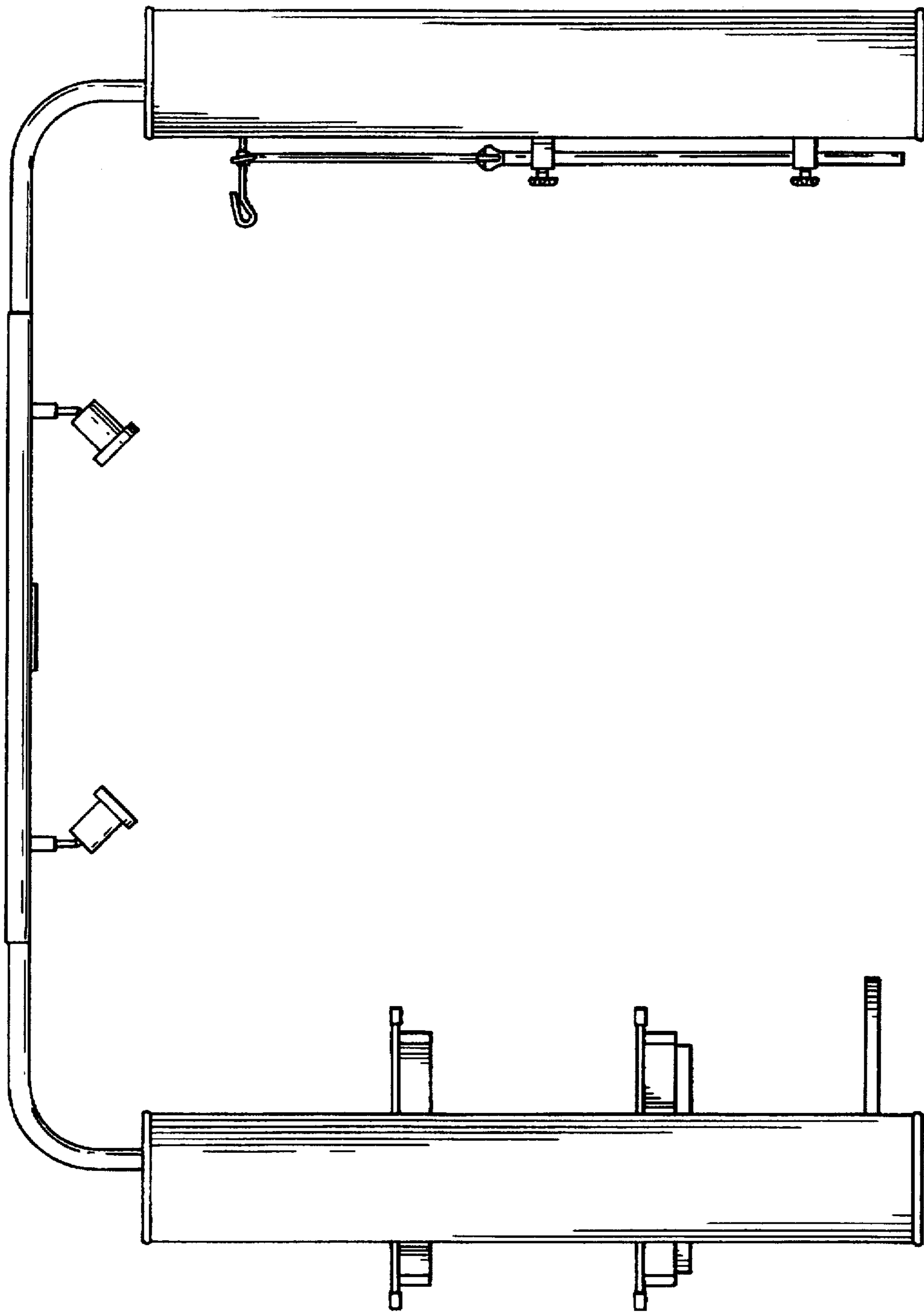
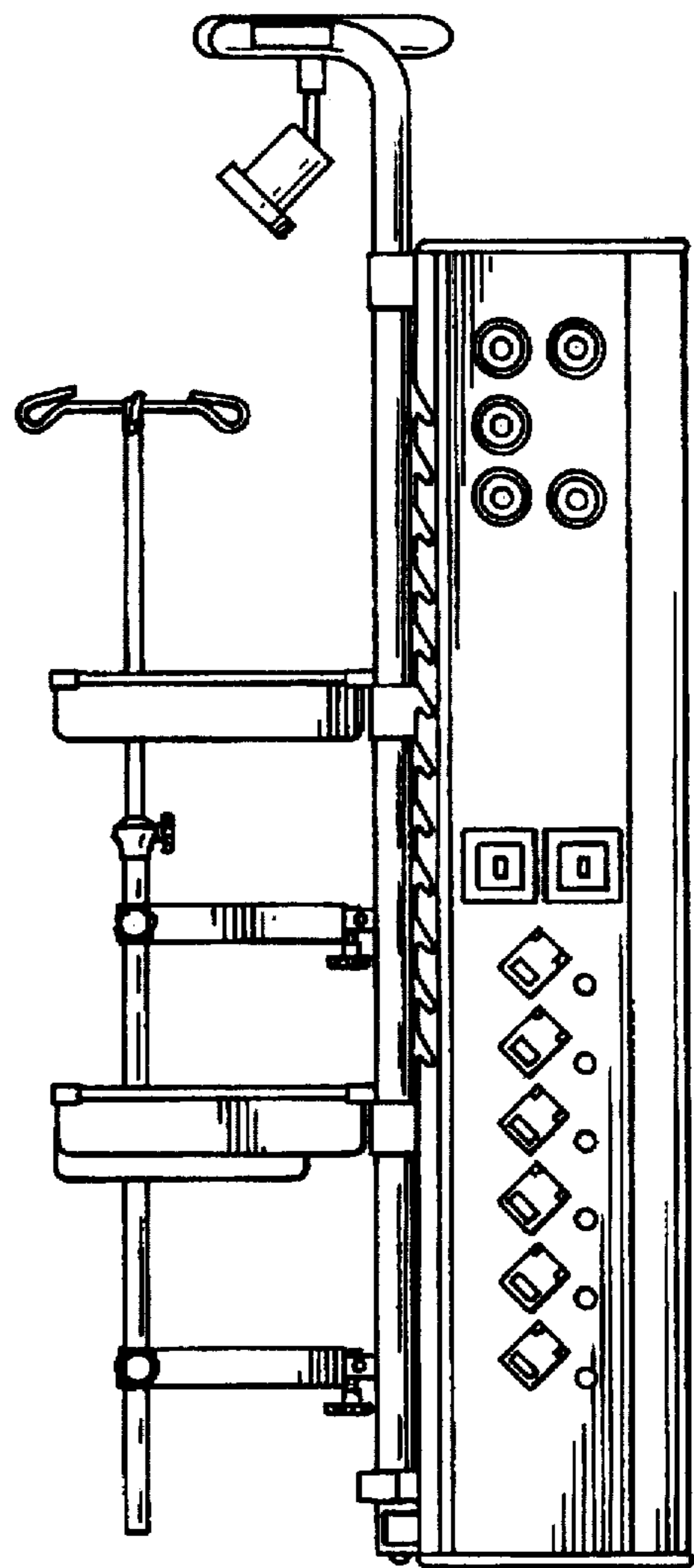
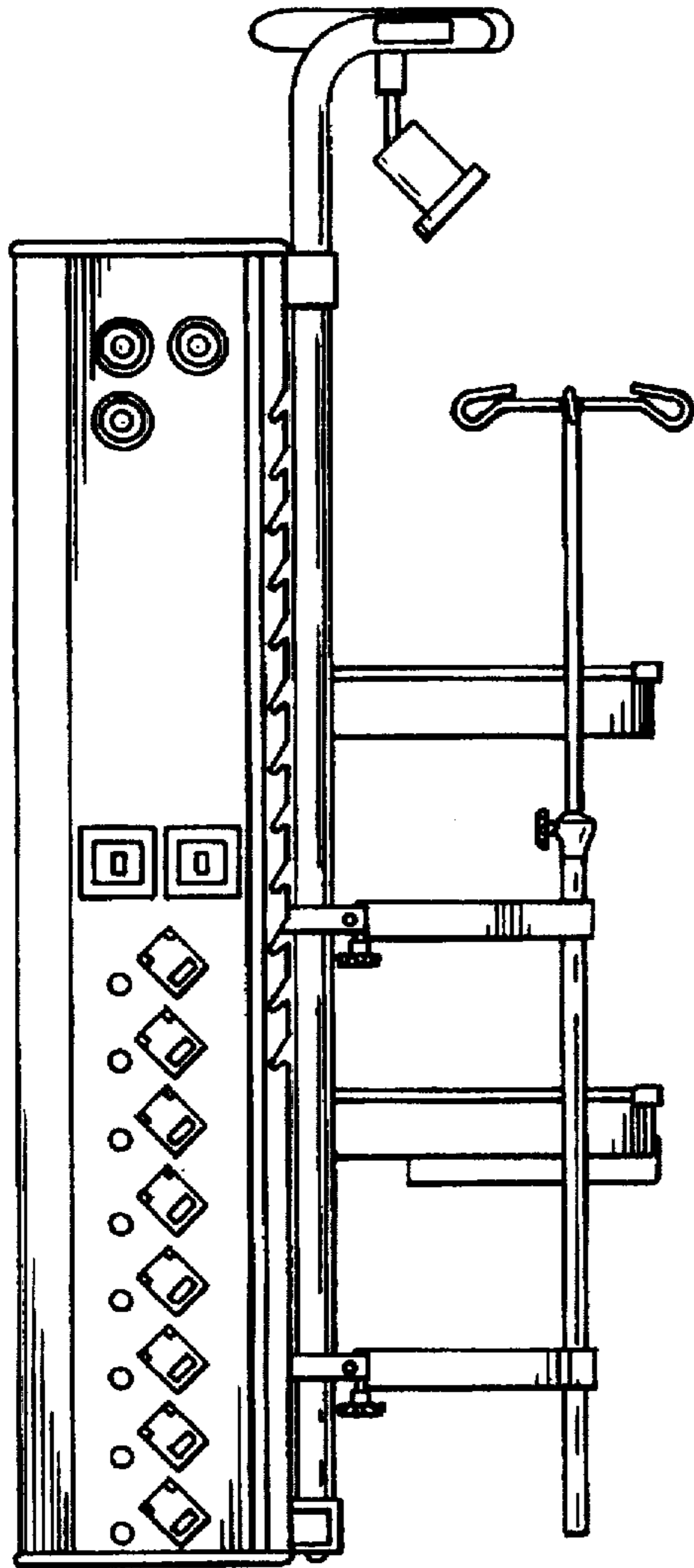
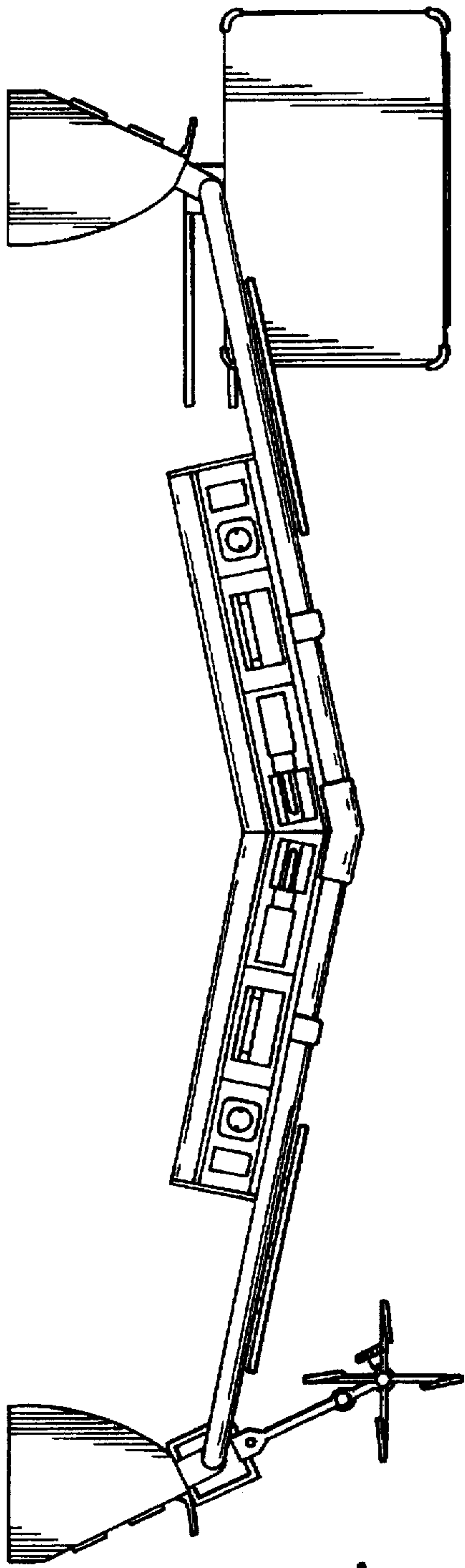


FIG. 2

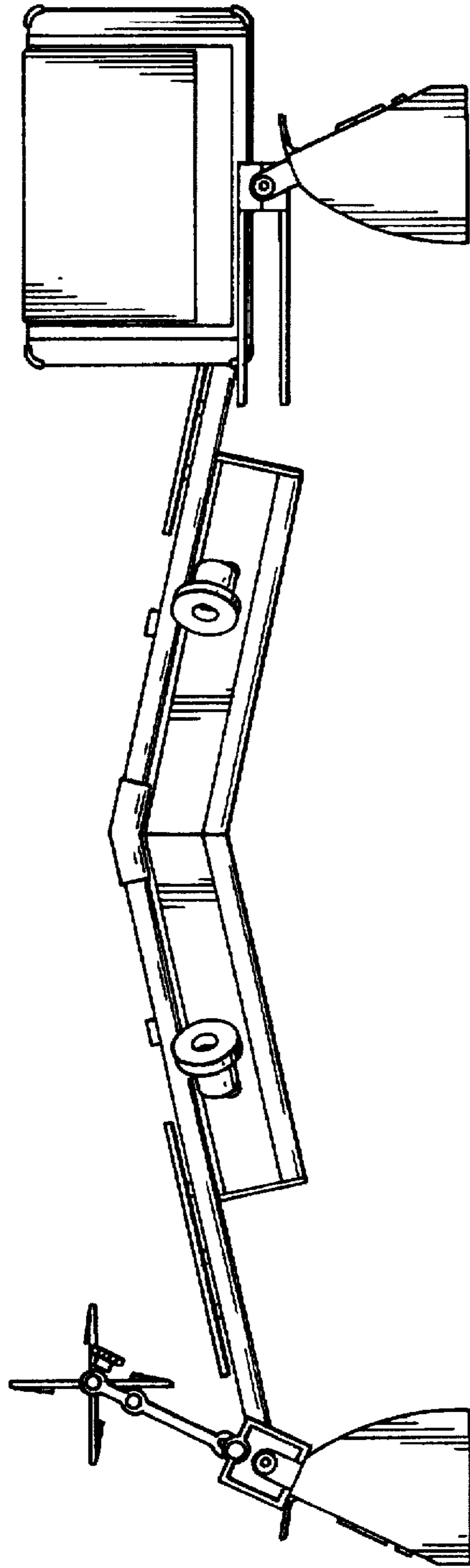
**FIG. 3**



**FIG. 4**

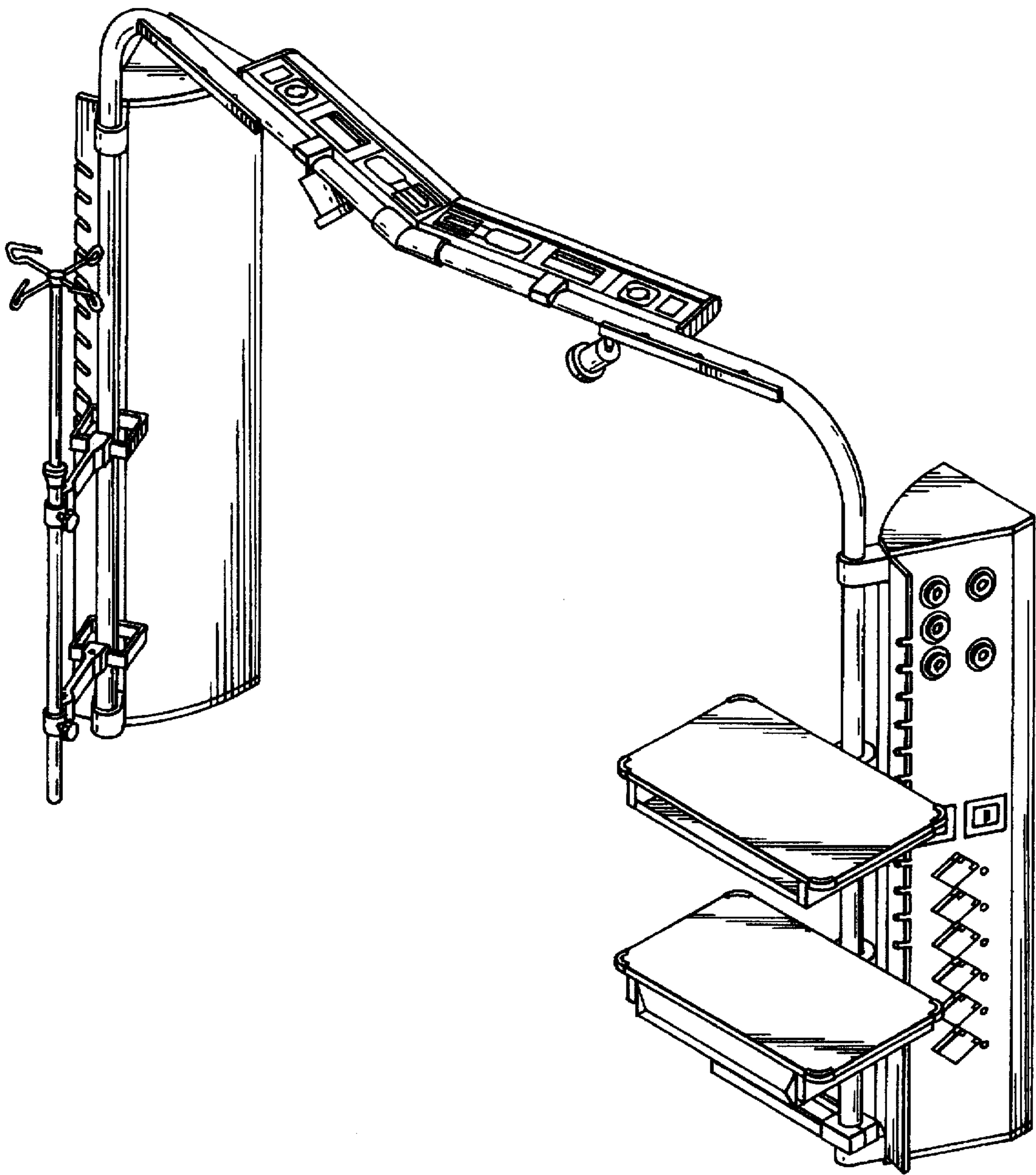


**FIG. 5**



**FIG. 6**

**FIG. 7**



**FIG. 8**

