



US00D390964S

# United States Patent [19]

[11] Patent Number: **Des. 390,964**

Mercer et al.

[45] Date of Patent: **\*\*Feb. 17, 1998**

[54] **BABY BOTTLE CAP WITH POWDERED  
BABY FORMULA STORAGE CHAMBER**

*Primary Examiner*—Stella Reid

[76] Inventors: **Kimberly Mercer; Michael Mercer,**  
both of 10772 Virginia Ave., Whittier,  
Calif. 90603

[57] **CLAIM**

The ornamental design for a baby bottle cap with powdered baby formula storage chamber, as shown and described.

[\*\*] Term: **14 Years**

### DESCRIPTION

[21] Appl. No.: **49,213**

FIG. 1 is a front elevational view of a baby bottle cap with powdered baby formula storage chamber, showing our new design;

[22] Filed: **Jan. 19, 1996**

FIG. 2 is a back elevational view thereof;

[51] LOC (6) Cl. .... **07-01**

[52] U.S. Cl. .... **D24/197**

[58] Field of Search ..... D24/197; 215/11.1,  
215/11.2, 11.3, 11.4, 11.5, 11.6

FIG. 3 is a top view thereof;

FIG. 4 is a bottom plan view thereof; and,

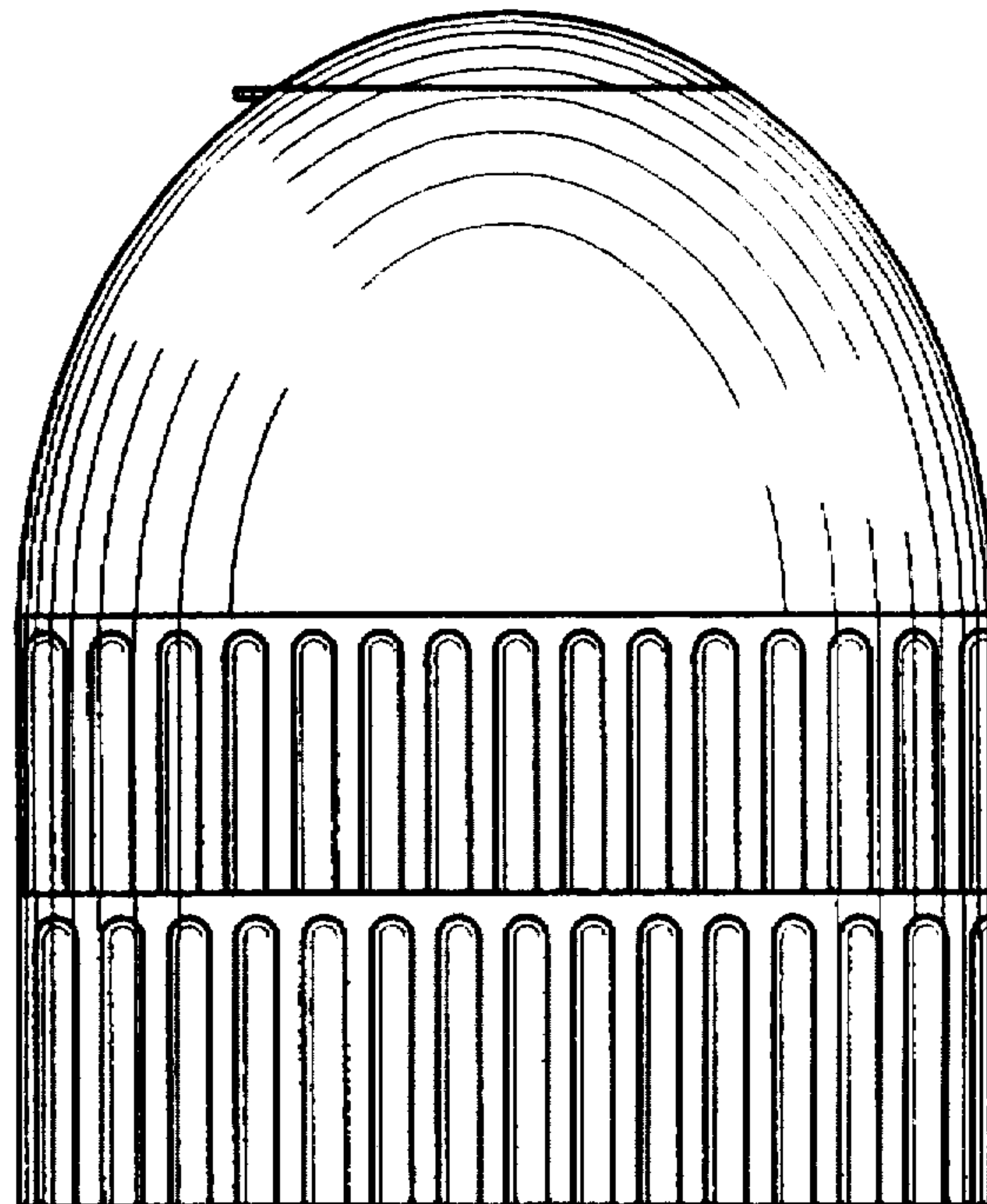
FIG. 5 is an exploded perspective view thereof.

[56] **References Cited**

#### U.S. PATENT DOCUMENTS

5,419,445 5/1995 Kaesemeyer ..... 215/11.1  
5,433,328 7/1995 Baron et al. .... 215/11.4

**1 Claim, 2 Drawing Sheets**



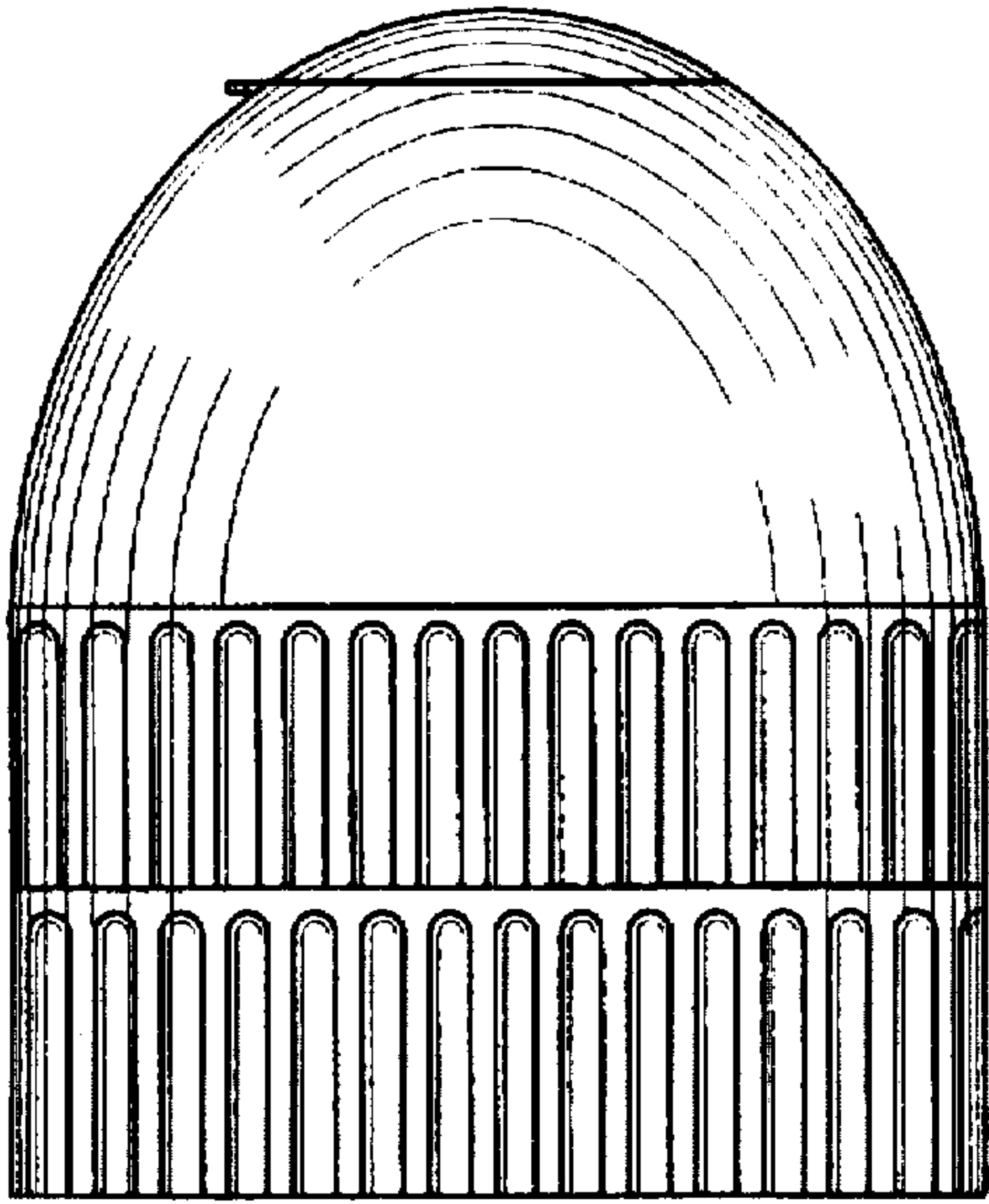


FIG. 1

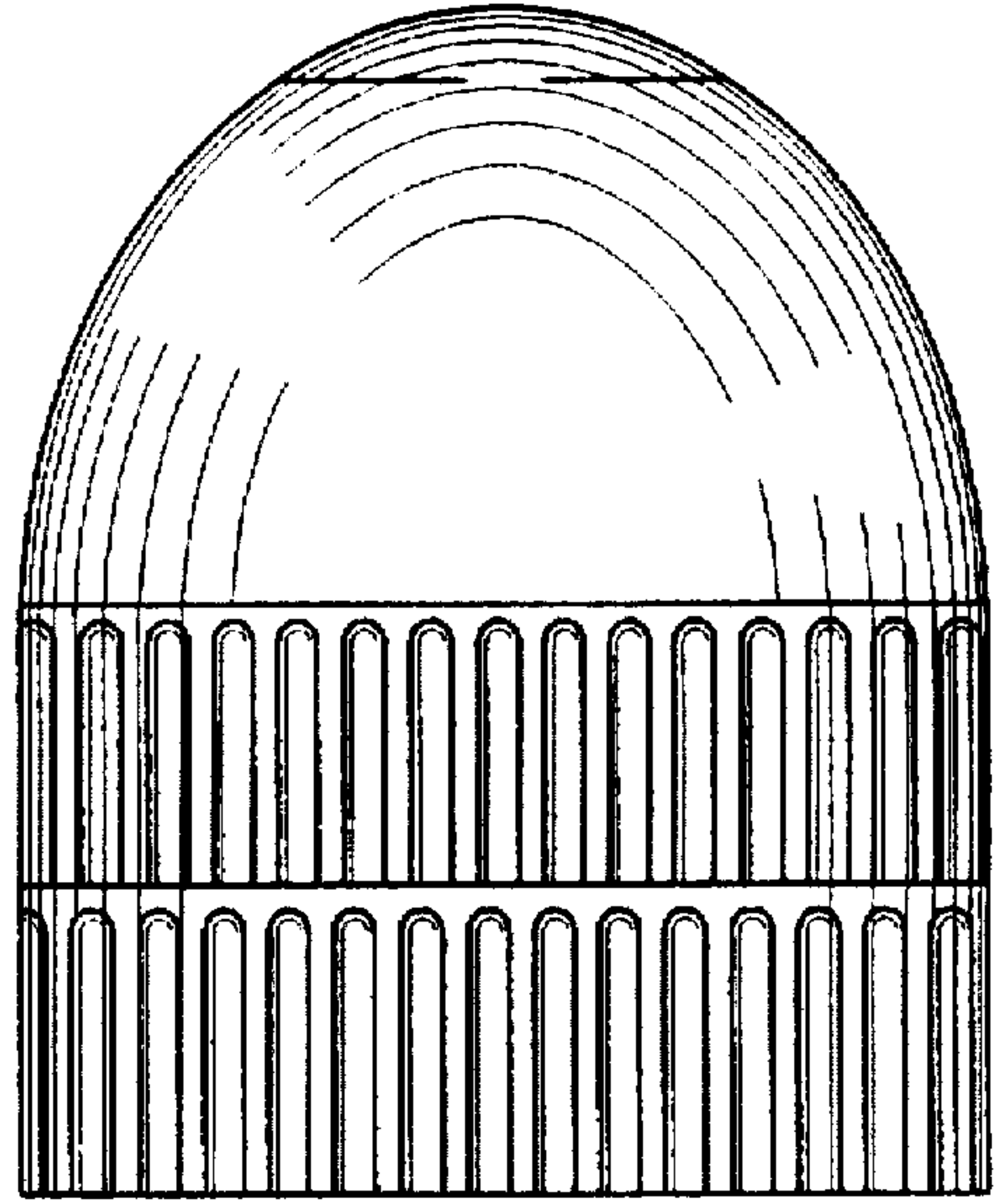


FIG. 2

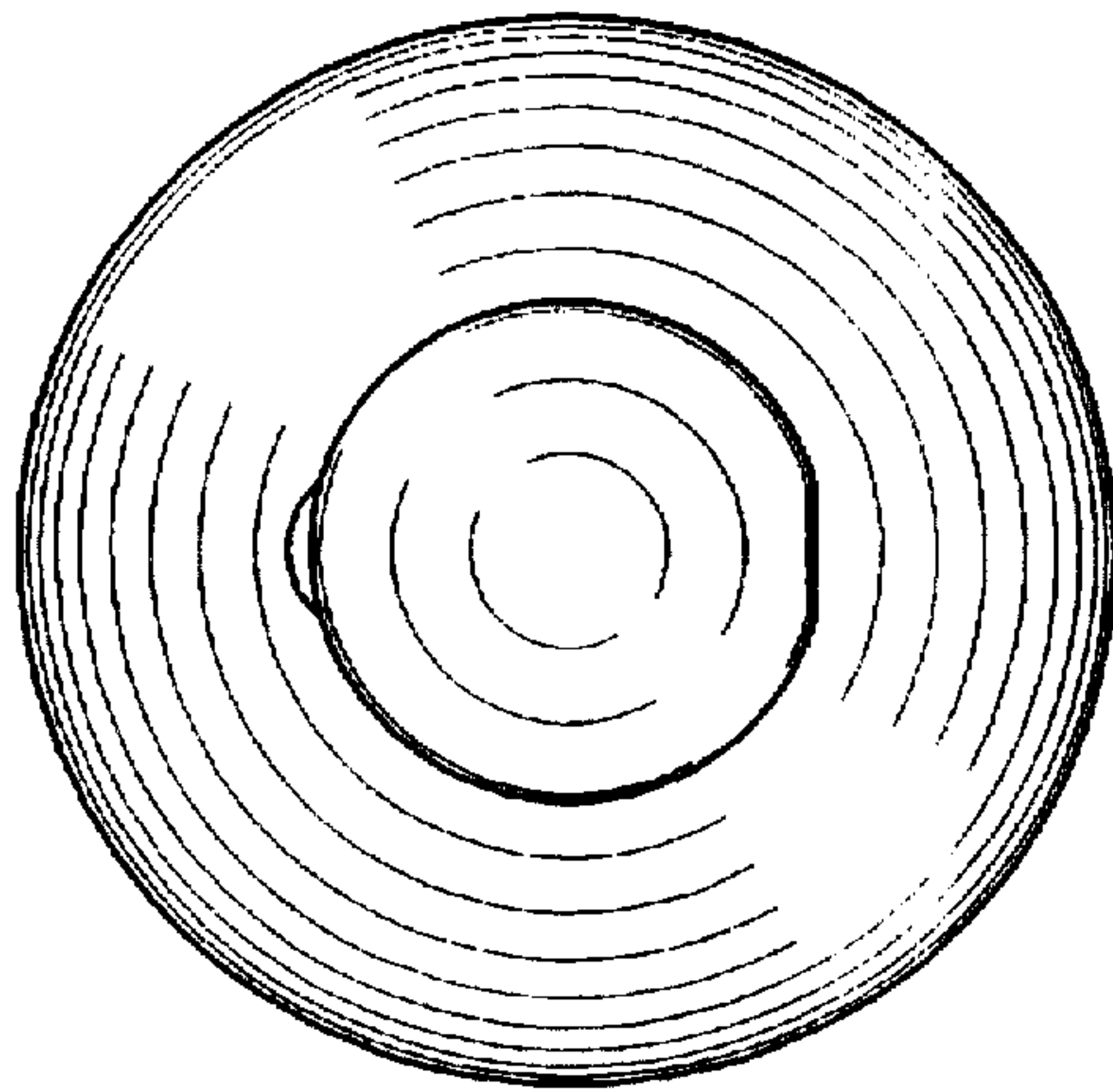


FIG. 3

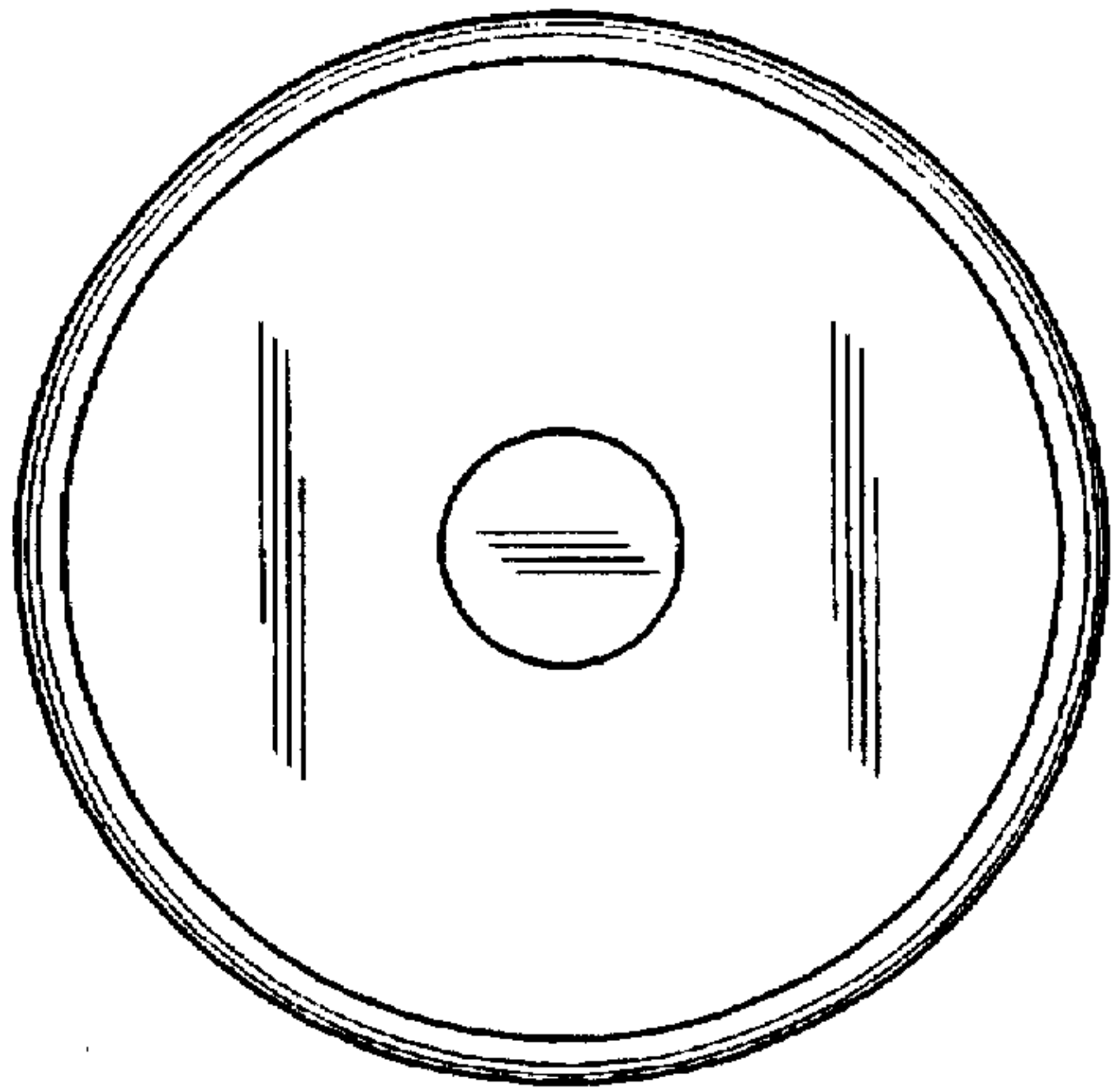


FIG. 4

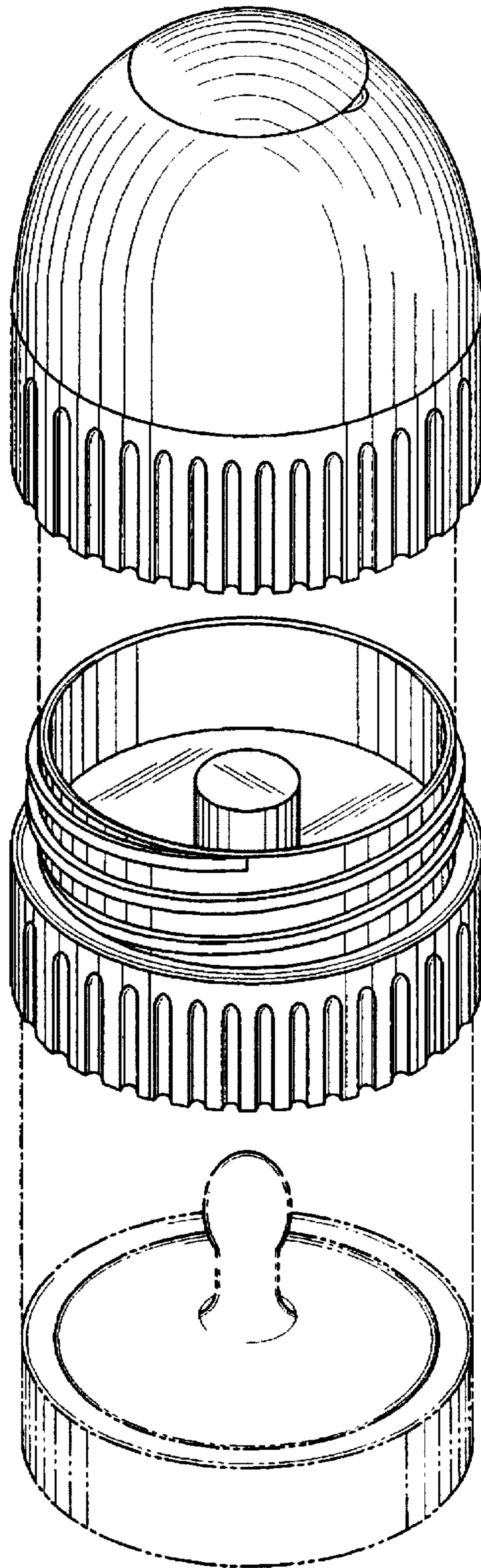


FIG. 5