



US00D390963S

United States Patent [19]

[11] Patent Number: **Des. 390,963**

Scholpp

[45] Date of Patent: ****Feb. 17, 1998**

[54] **FOOT MASSAGER**

D. 364,466	11/1995	Assman et al.	D24/213
4,497,313	2/1985	Kurdsawa	601/156 X
4,513,735	4/1985	Friedson et al.	601/158 X

[75] Inventor: **Werner Scholpp**, Oberriexingen, Germany

Primary Examiner—Stella Reid
Attorney, Agent, or Firm—Herbert Dubno

[73] Assignee: **Beurer GmbH & Co.**, Ulm, Germany

[**] Term: **14 Years**

[57] **CLAIM**

[21] Appl. No.: **40,002**

The ornamental design for a foot massager, as shown and described.

[22] Filed: **Jun. 7, 1995**

DESCRIPTION

[30] **Foreign Application Priority Data**

Dec. 8, 1994 [DE] Germany M9409647.3

FIG. 1 is a top, front, right-side perspective view of a foot massager showing my new design, the left side view being symmetrical to the right side view;

[51] LOC (6) Cl. **24-04**

FIG. 2 is a rear, top perspective view thereof;

[52] U.S. Cl. **D24/213**

FIG. 3 is a front, top perspective view thereof;

[58] Field of Search D24/213, 200;
601/158, 157, 156, 66, 64, 15

FIG. 4 is a top front perspective view thereof taken from a different angle from that of FIG. 3 but with the cover swung up;

[56] **References Cited**

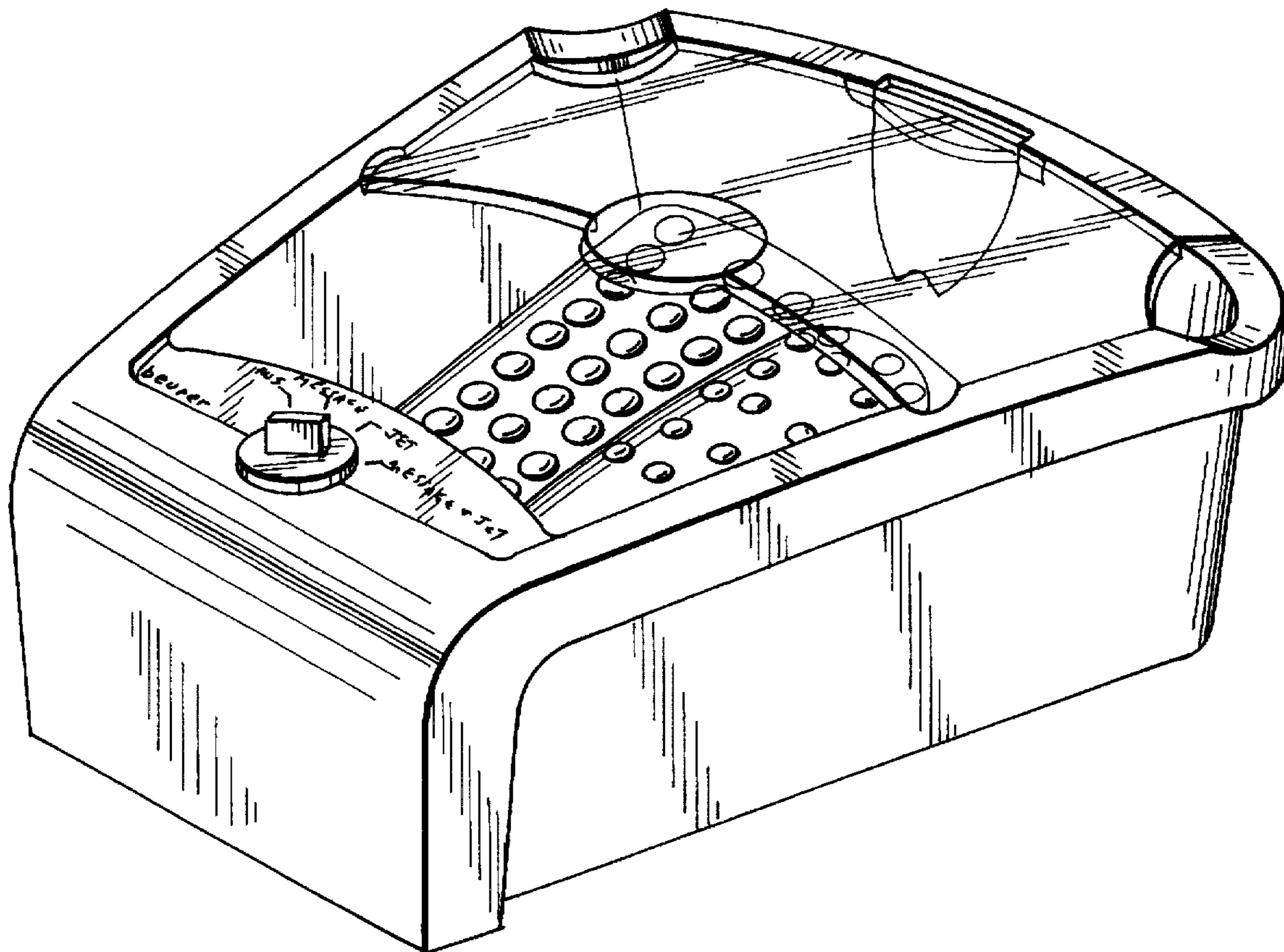
FIG. 5 is a top view thereof with the cover in its open position; and,

U.S. PATENT DOCUMENTS

D. 330,426	10/1992	Elkerbout	D24/213
D. 363,555	10/1995	Lie	D24/213

FIG. 6 is a bottom view thereof.

1 Claim, 6 Drawing Sheets



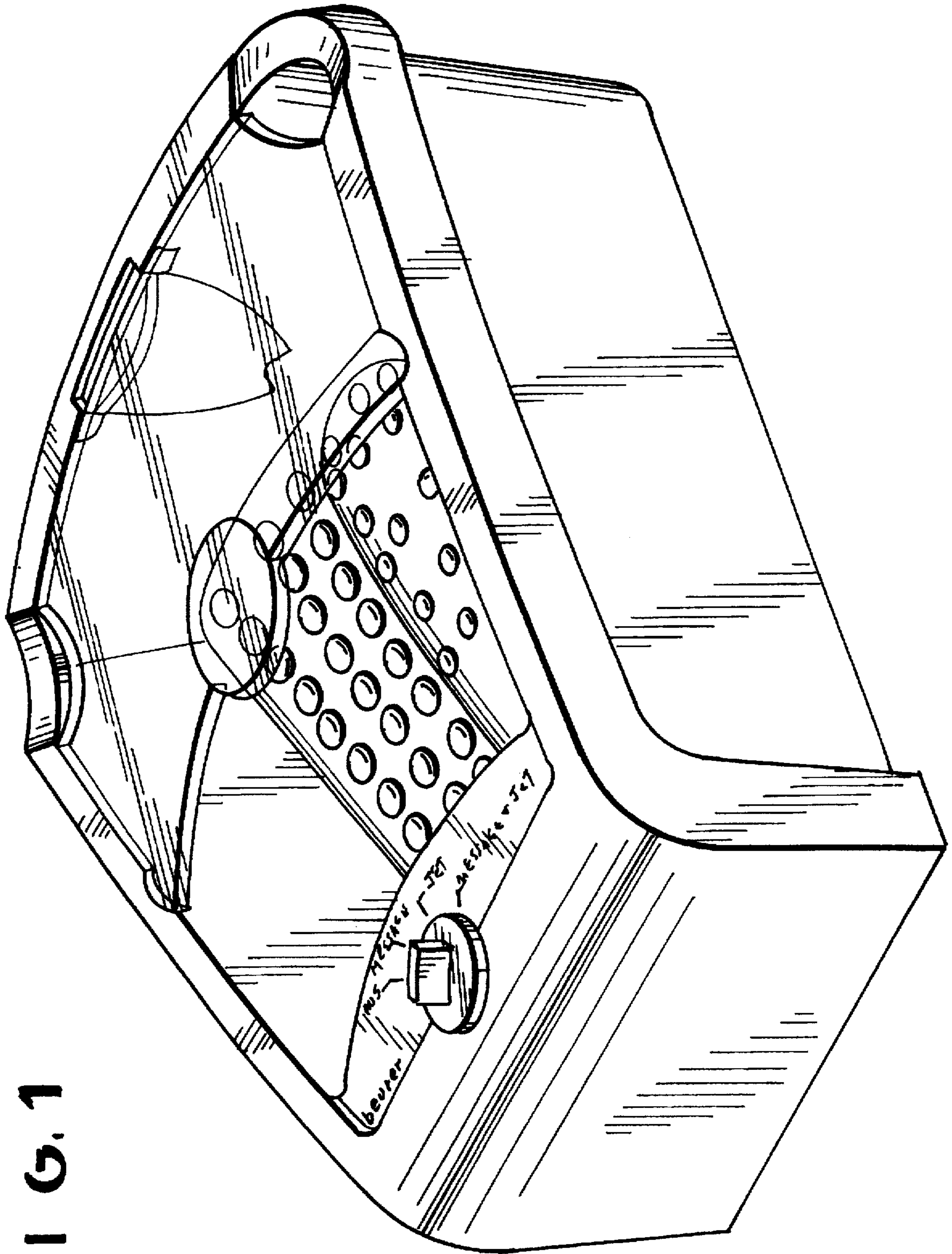


FIG. 1

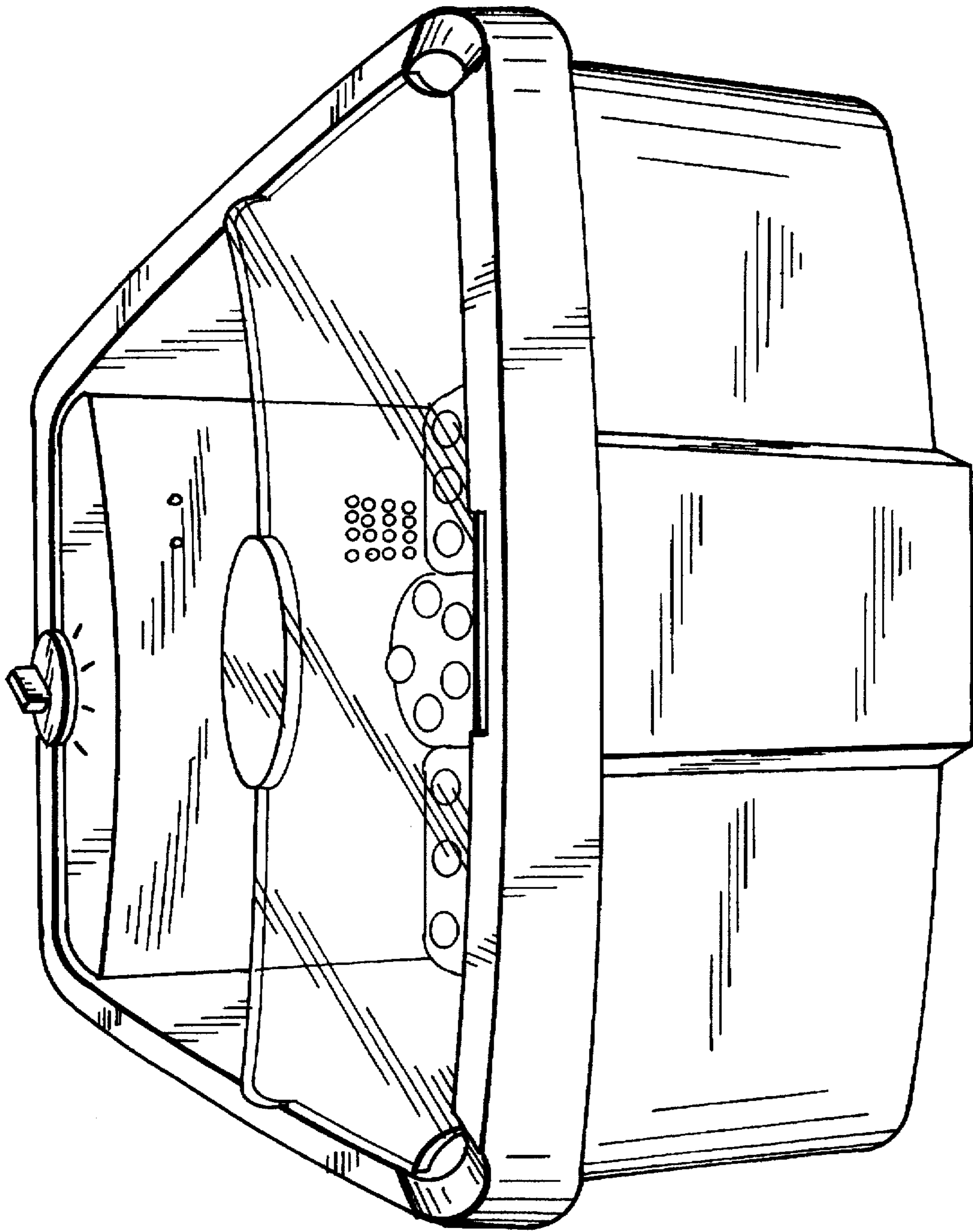


FIG. 2

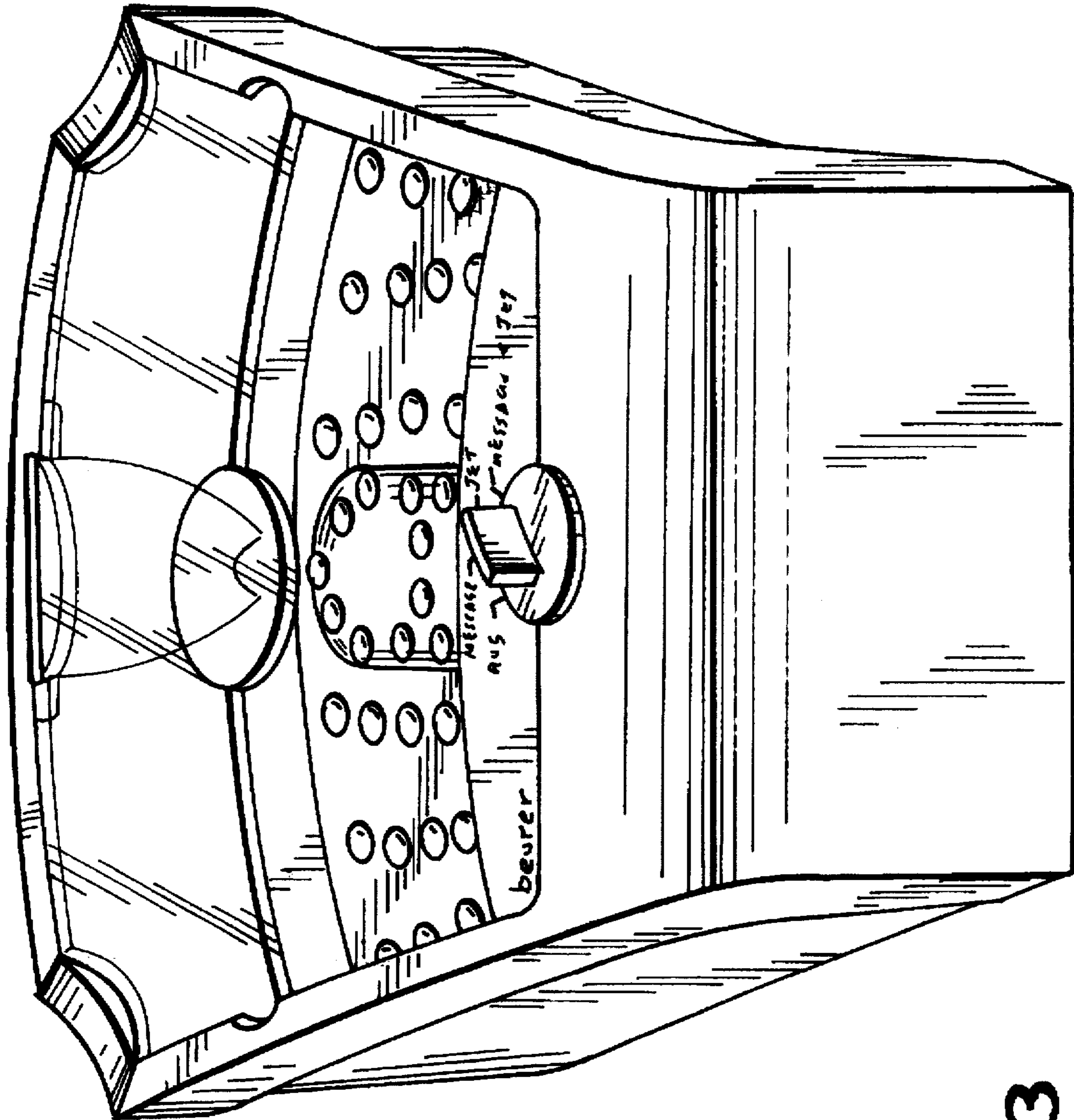


FIG. 3

FIG. 4

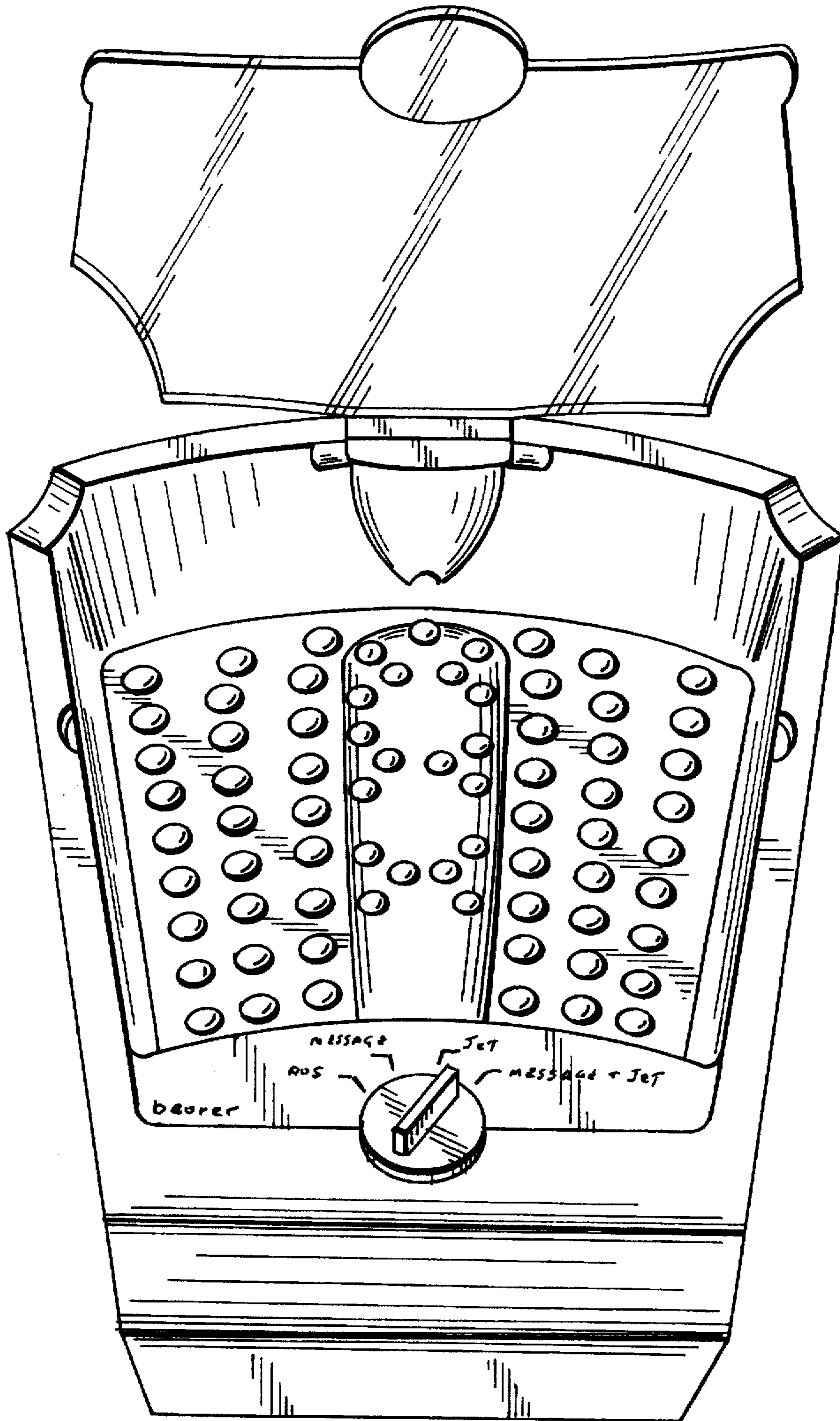


FIG. 5

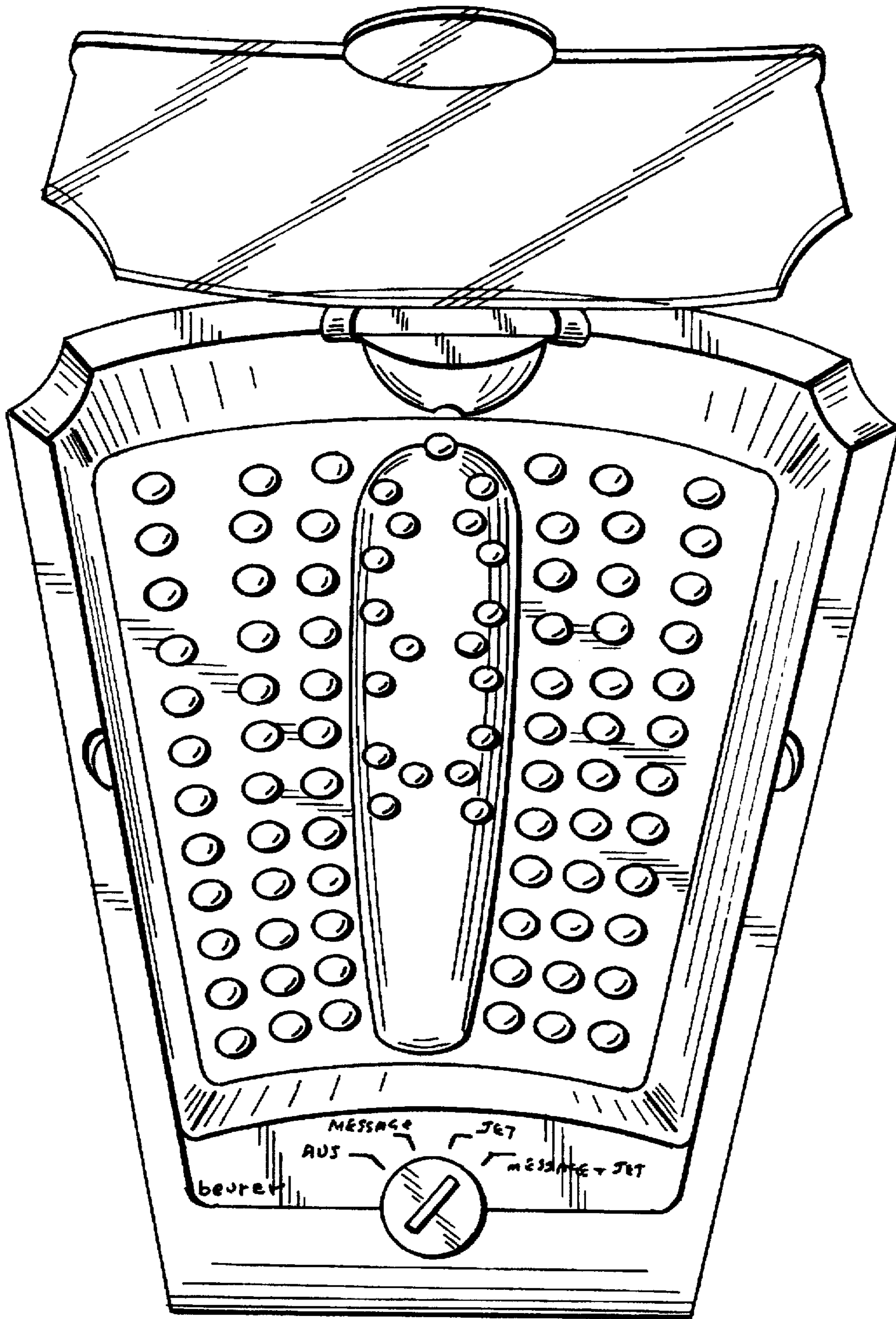


FIG. 6

