

US00D390956S

# United States Patent [19]

[11] Patent Number: **Des. 390,956**

Sjostrom et al.

[45] Date of Patent: **\*\*Feb. 17, 1998**

[54] HUB FOR A SURGICAL INSTRUMENT

5,380,333 1/1995 Meloul et al. .... 606/80  
5,496,323 3/1996 Pye ..... 606/79

[75] Inventors: **Douglas D. Sjostrom**, Reading, Mass.;  
**Peter M. Cesarini**, Londonderry, N.H.

### FOREIGN PATENT DOCUMENTS

[73] Assignee: **Smith & Nephew, Inc.**, Andover, Mass.

2916221 3/1980 Germany .  
3341876 10/1992 Germany .

[\*\*] Term: **14 Years**

### OTHER PUBLICATIONS

[21] Appl. No.: **61,398**

Product brochure, "Aesculap Integral Shaver System," Aesculap AG, Orthopaedic Division 1995.

[22] Filed: **Oct. 23, 1996**

"Unidrive—A New Shaver System for Surgical Arthroscopy," Endo World, ART No. 3—E, 1994, Karl Storz GmbH & Co., Tuttlingen, Germany and Karl Storz Endoscopy, America.

### Related U.S. Application Data

[63] Continuation-in-part of Ser. No. 45,832, Oct. 31, 1995, Pat. No. Des. 381,425.

Product brochure, "A Revolutionary New Shaver System With Quality You Can Count On," Arthrex, Inc., 1994.

[51] LOC (6) Cl. .... **24-02**

[52] U.S. Cl. .... **D24/146**

[58] Field of Search ..... D24/146, 145;  
606/79, 80, 170, 96, 181; D15/138, 139

Product brochure, "Apex. Peak Performance With Striking Power," Linvatec Corporation, 1995.

1996 Products Catalog, Smith & Nephew Endoscopy, Jan. 1, 1996.

### References Cited

*Primary Examiner*—Doris Clark

*Attorney, Agent, or Firm*—Fish & Richardson P.C.

### U.S. PATENT DOCUMENTS

### [57] CLAIM

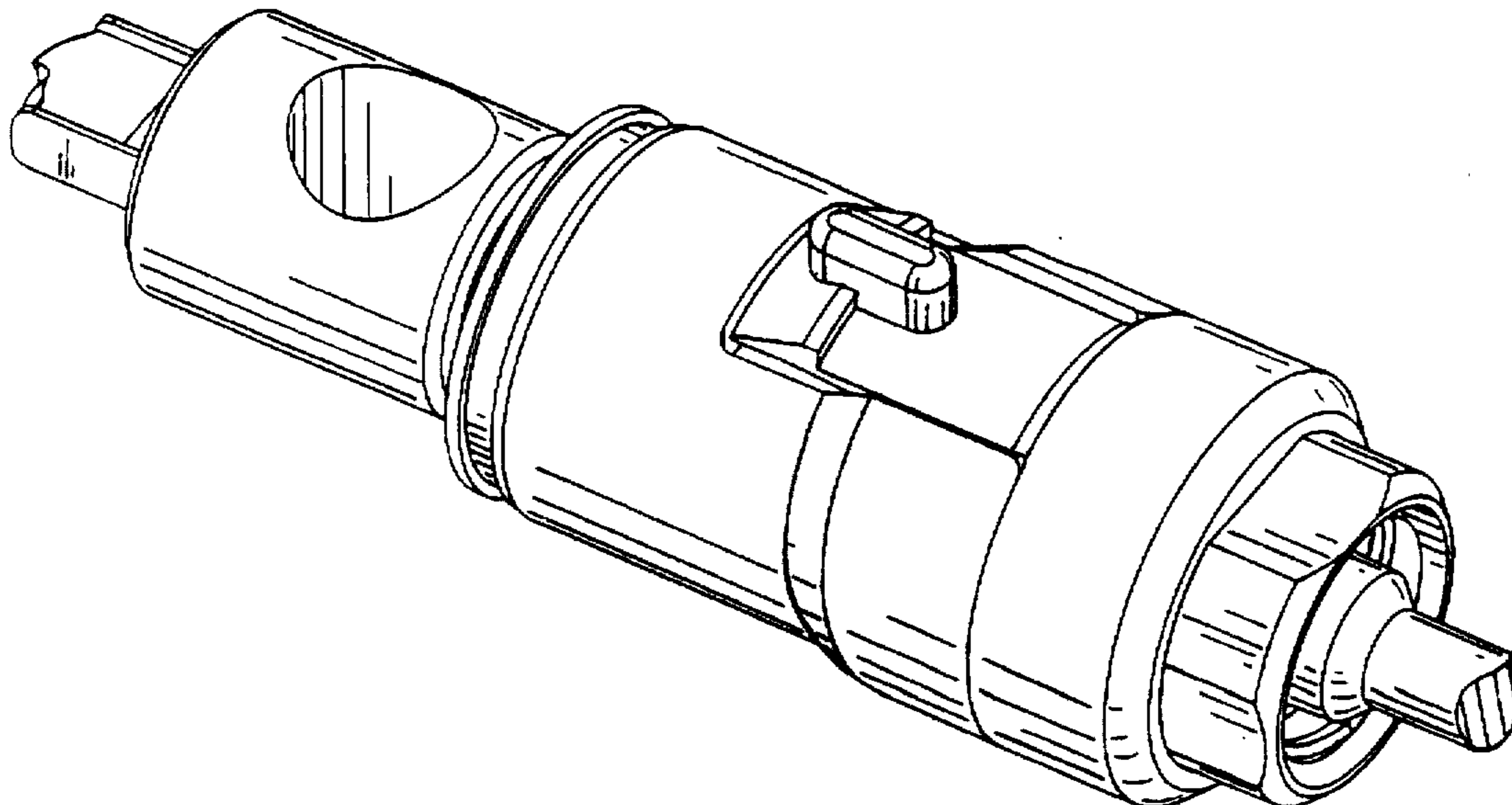
Re. 34,556	3/1994	Sjostrom et al. ....	606/170
D. 285,343	8/1986	Duarte-Martins, Jr. ....	D24/147
D. 287,031	12/1986	Anspach, Jr. ....	D24/147
D. 303,148	8/1989	Rexroth et al. ....	D24/28
D. 307,472	4/1990	Soderberg ....	D24/146
D. 317,045	5/1991	Edwardson ....	D24/146
D. 322,479	12/1991	Miyaguchi ....	D24/146
D. 323,556	1/1992	Miyaguchi ....	D24/146
2,842,131	7/1958	Smith ....	606/80
4,188,942	2/1980	Fehlberg ....	128/6
4,456,010	6/1984	Reimels et al. ....	606/80
4,895,570	1/1990	Larkin ....	604/411
5,171,245	12/1992	Cezana ....	606/86
5,217,478	6/1993	Rexroth ....	606/180
5,312,411	5/1994	Steele et al. ....	606/79
5,344,428	9/1994	Griffiths ....	128/751

The ornamental design for a hub for a surgical instrument, as shown and described.

### DESCRIPTION

FIG. 1 is a perspective view of a hub for a surgical instrument showing our new design;  
FIG. 2 is a side elevation view thereof;  
FIG. 3 is a side elevation view thereof, opposite that shown in FIG. 2;  
FIG. 4 is a front elevation view thereof;  
FIG. 5 is a rear elevation view thereof;  
FIG. 6 is a top plan view thereof; and,  
FIG. 7 is a bottom plan view thereof.

**1 Claim, 3 Drawing Sheets**



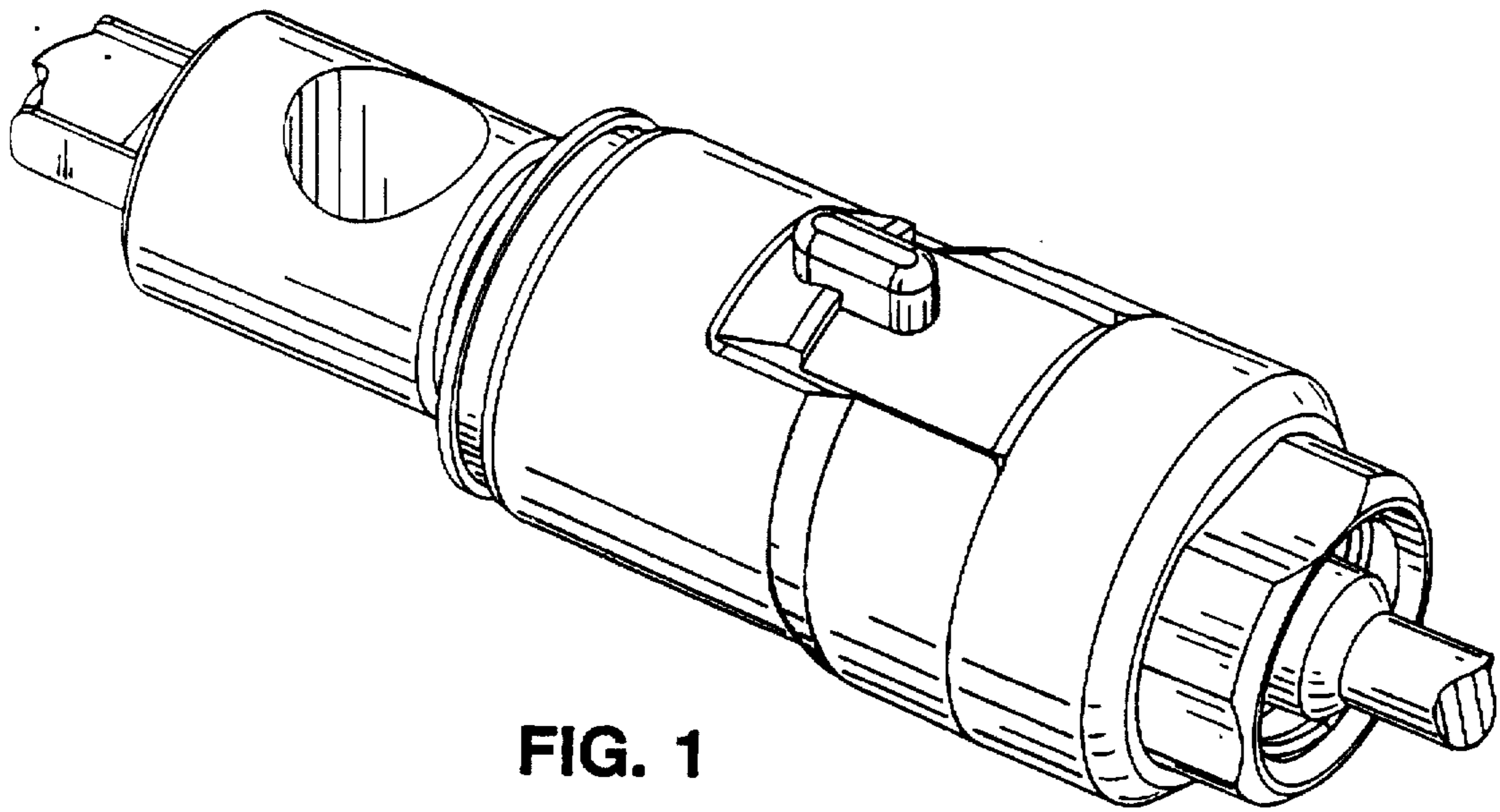


FIG. 1

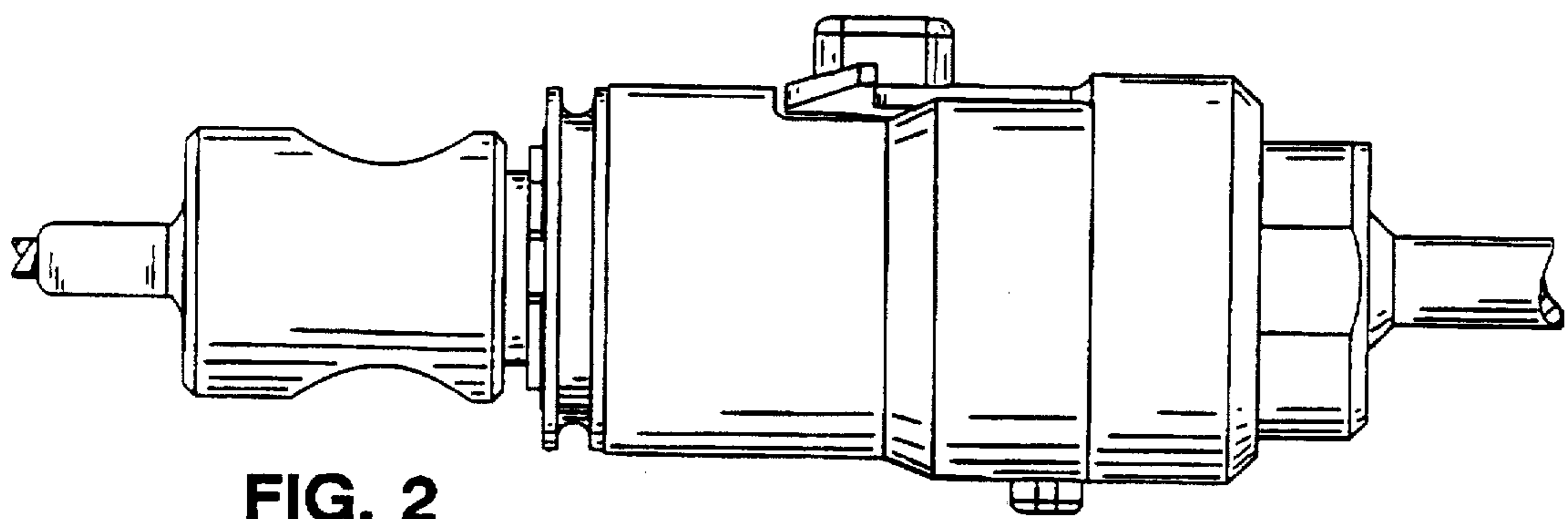


FIG. 2

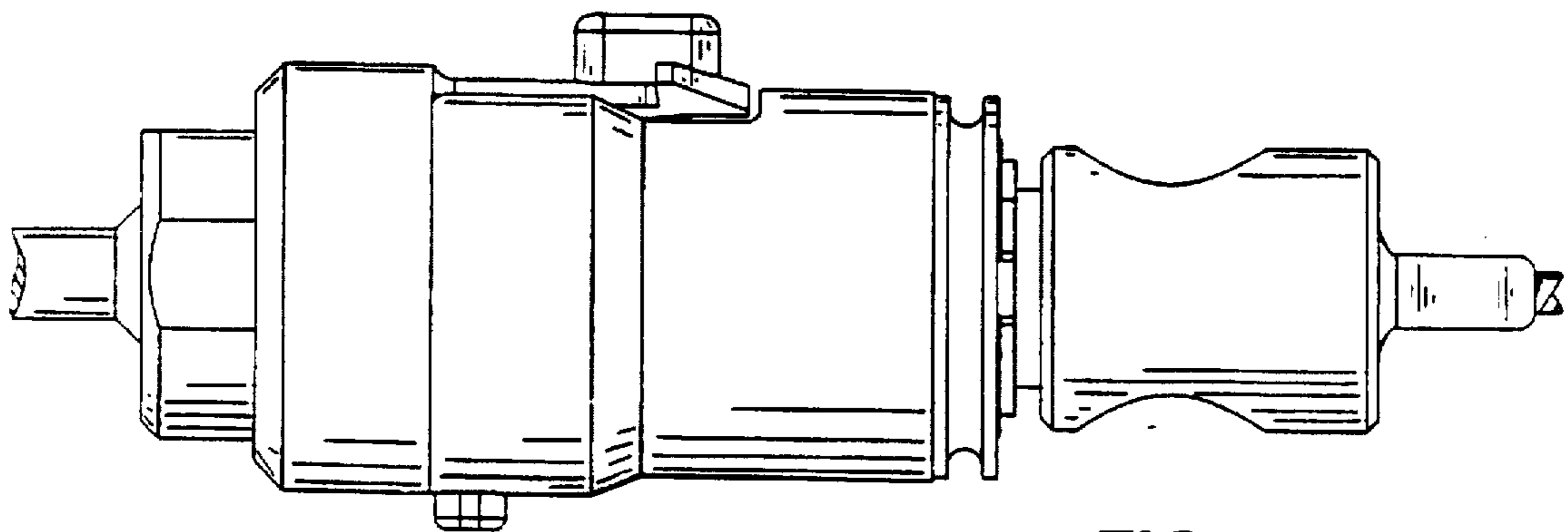


FIG. 3

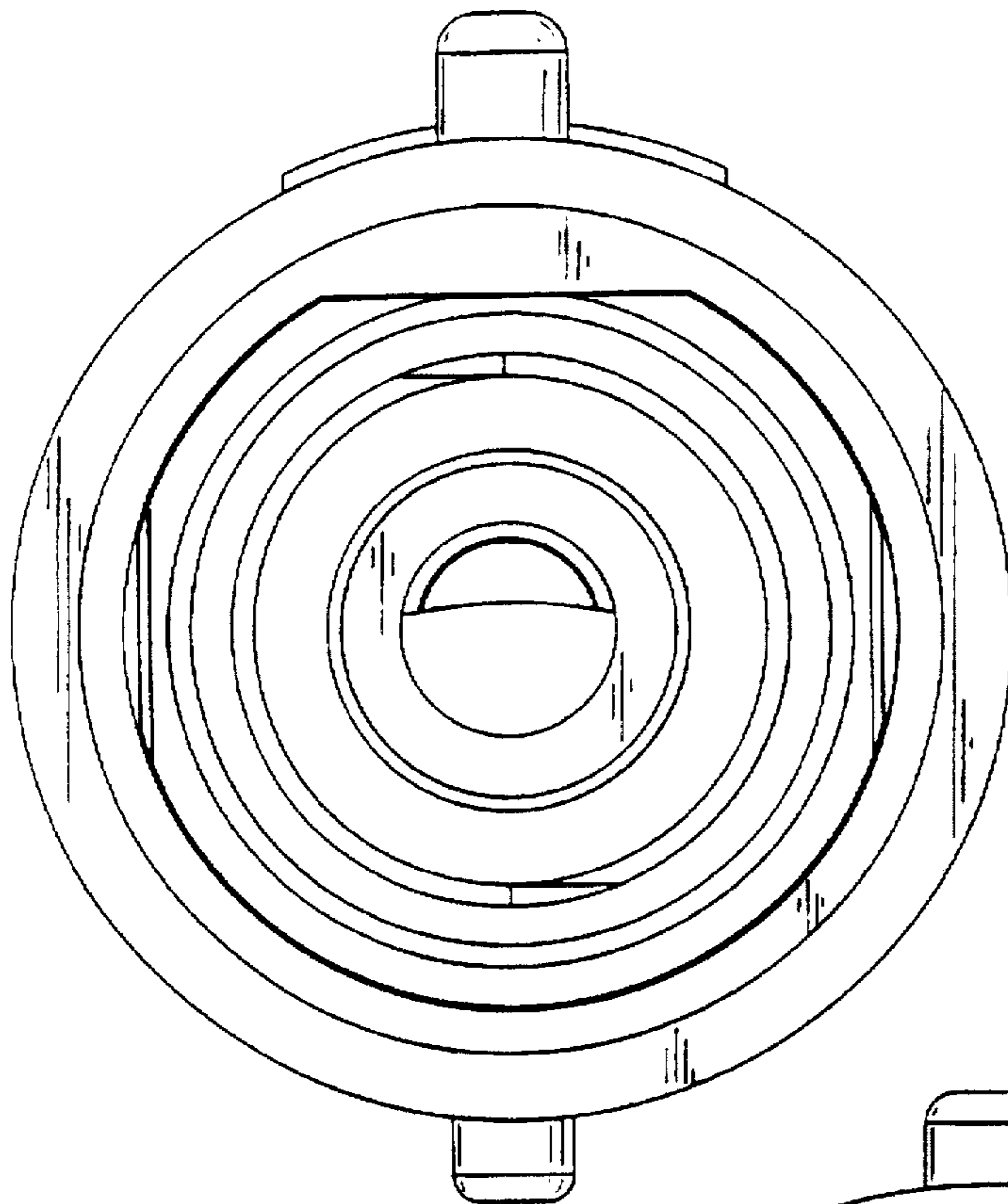


FIG. 4

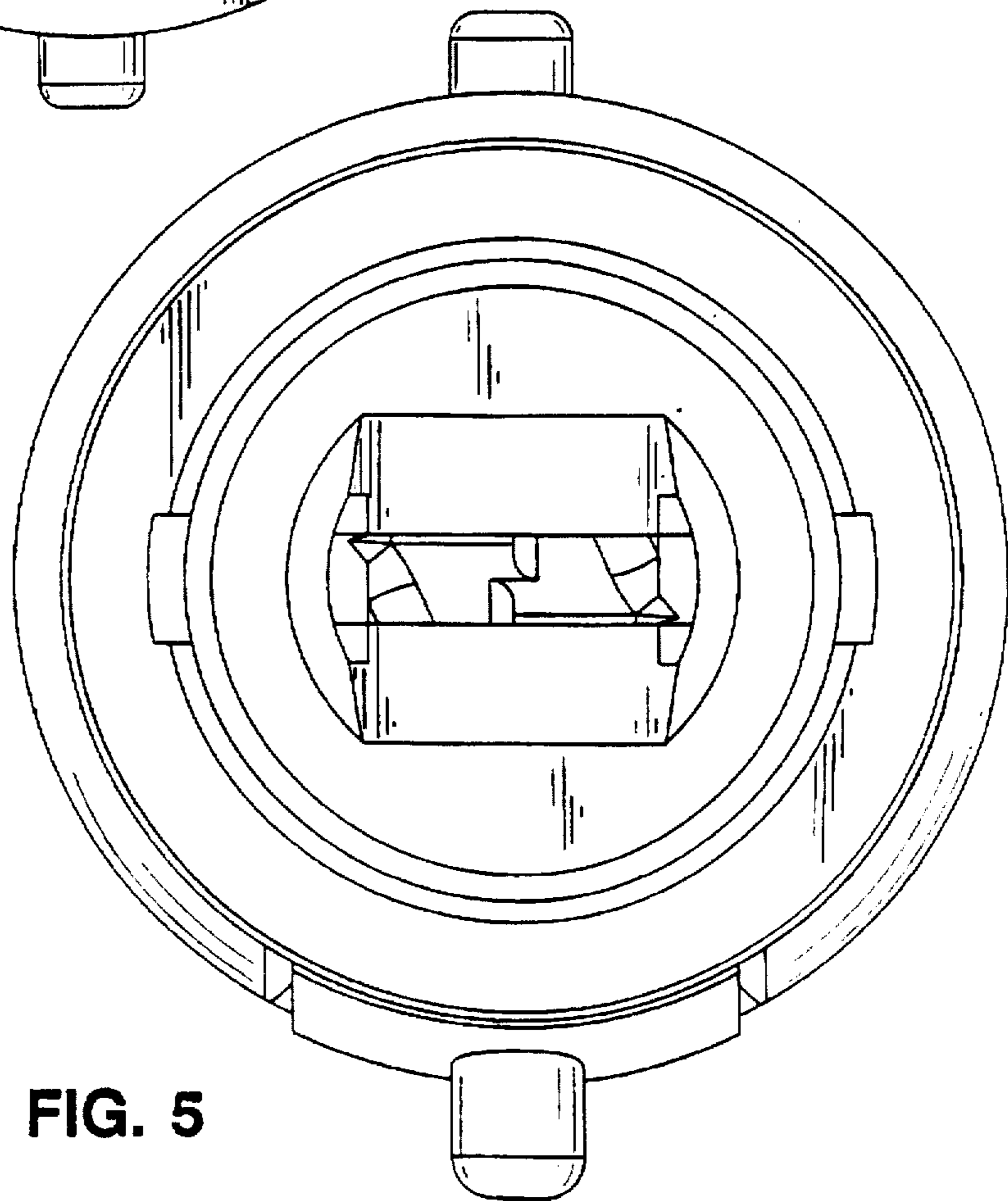


FIG. 5

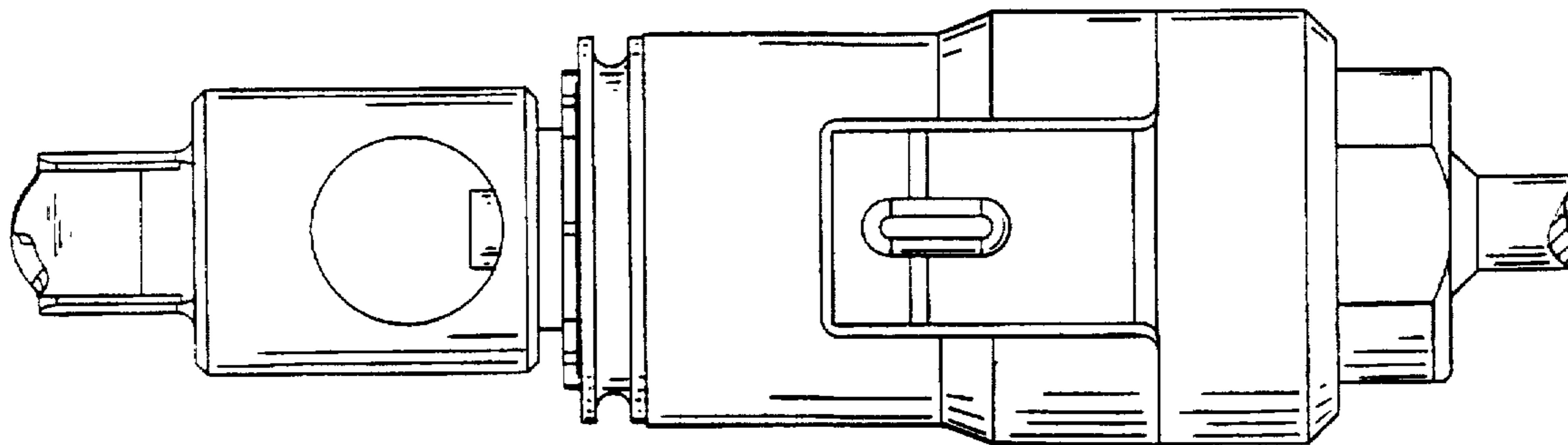


FIG. 6

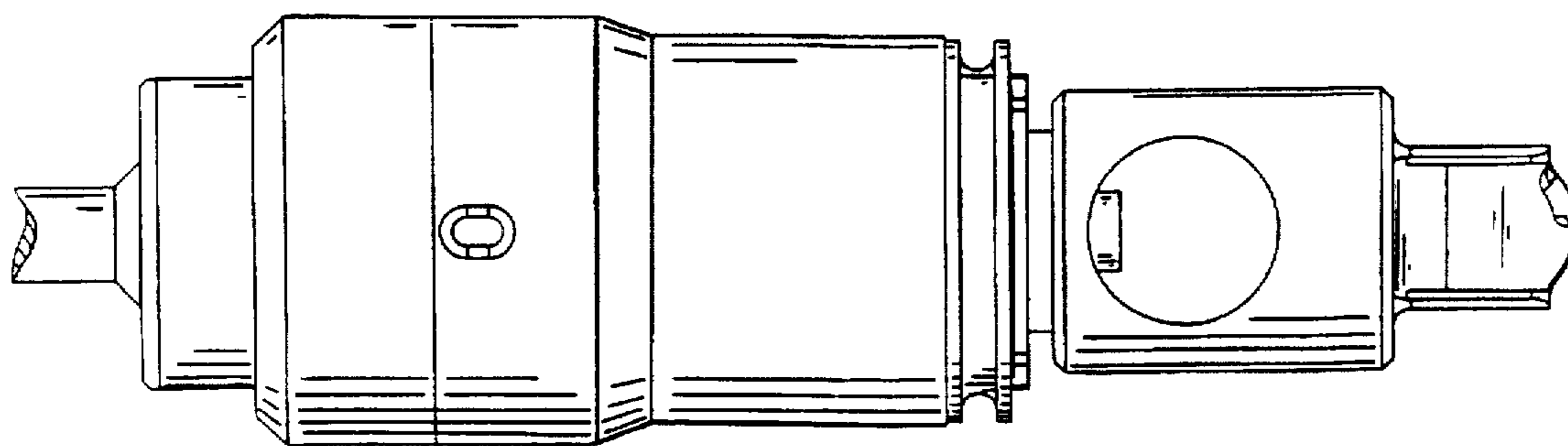


FIG. 7