



US00D390954S

United States Patent [19]

Kumar et al.

[11] Patent Number: **Des. 390,954**

[45] Date of Patent: ****Feb. 17, 1998**

[54] ORTHOPAEDIC CLAMP

[75] Inventors: **G. Kris Kumar; David A. Mann**, both of Warsaw, Ind.

[73] Assignee: **Zimmer, Inc.**, Warsaw, Ind.

[**] Term: **14 Years**

[21] Appl. No.: **52,627**

[22] Filed: **Mar. 28, 1996**

[51] LOC (6) Cl. **24-02**

[52] U.S. Cl. **D24/143**

[58] Field of Search **D24/143, 148; 606/205, 53, 206, 208, 72, 142; 623/23**

[56] References Cited

U.S. PATENT DOCUMENTS

D. 296,361	6/1988	Gerich et al.	D24/143
D. 363,545	10/1995	Miller	D24/143
4,475,544	10/1984	Reis	128/92 EA
4,570,633	2/1986	Golden	606/142
4,944,739	7/1990	Torre	606/53
5,133,737	7/1992	Grismer	606/205
5,480,453	1/1996	Burke	623/23
5,578,032	11/1996	Lalonde	606/205

OTHER PUBLICATIONS

Literature—Zimmer, Inc. —Bi-Articular Hip II Instrument -c1989.

Literature—Zimmer, Inc. —Zimmer® Bi-Articular II Hip -c 1987.

Primary Examiner—Doris Clark

Attorney, Agent, or Firm—Margaret L. Geringer

[57] CLAIM

The ornamental design for an orthopaedic clamp, as shown and described.

DESCRIPTION

FIG. 1 is a perspective view of an orthopaedic clamp. The broken line showing of the posts is for illustrative purposes only and forms no part of the claimed design;

FIG. 2 is a side elevational view thereof;

FIG. 3 is a side elevational view thereof of the side opposite the side shown in FIG. 2;

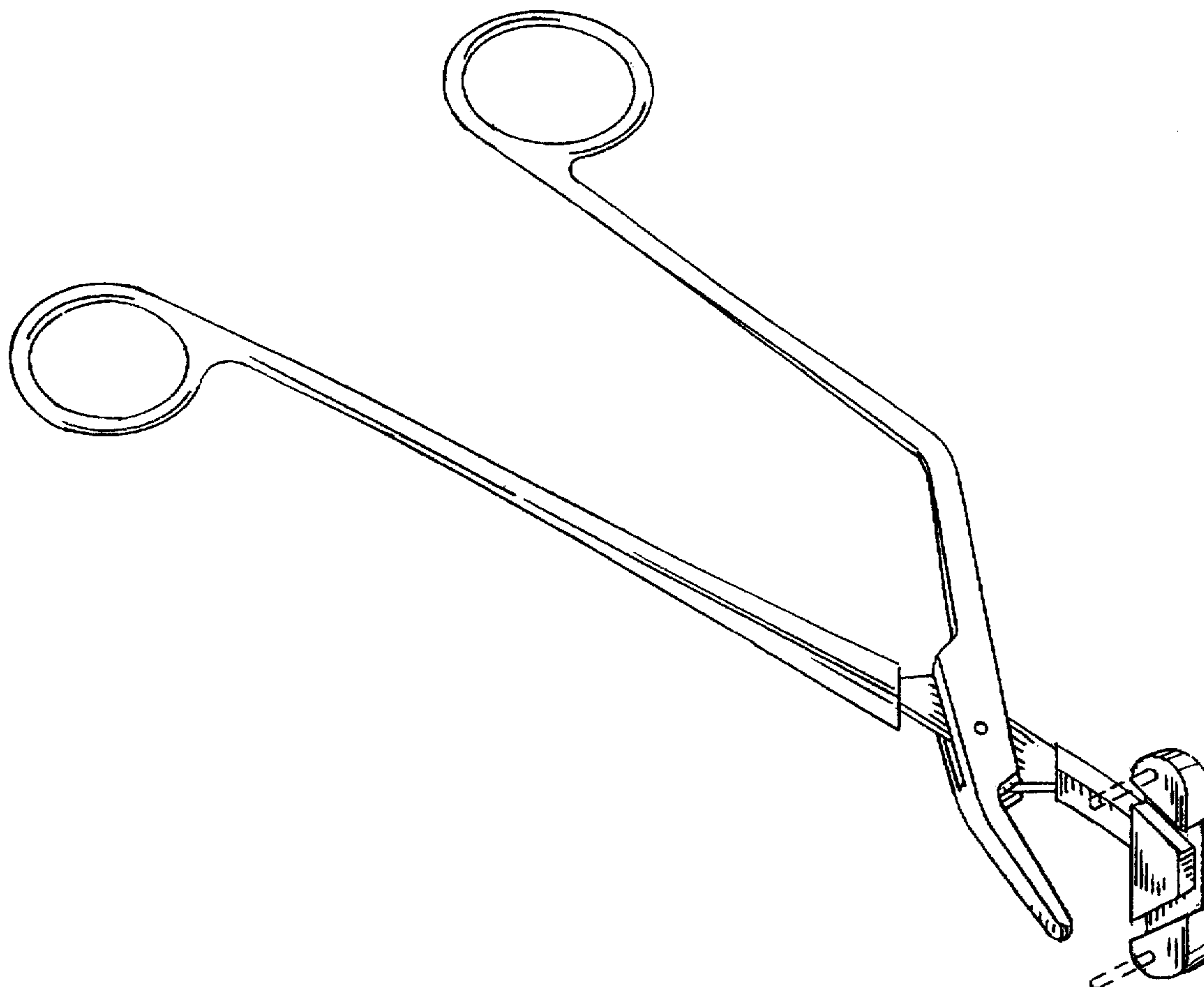
FIG. 4 is an end view thereof;

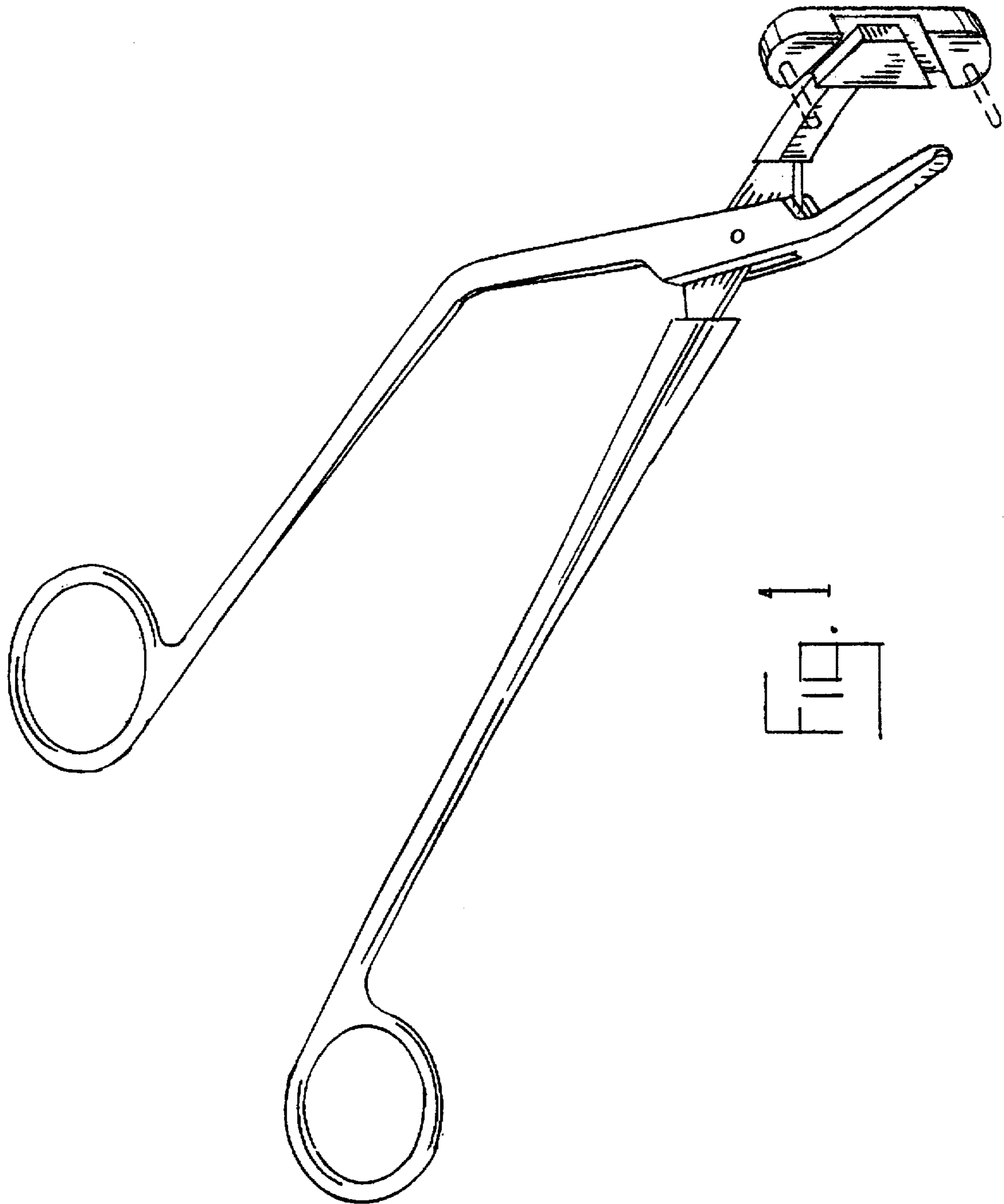
FIG. 5 is an end view thereof of the end opposite the end shown in FIG. 4;

FIG. 6 is a bottom plan view thereof; and,

FIG. 7 is a top plan view thereof.

1 Claim, 3 Drawing Sheets





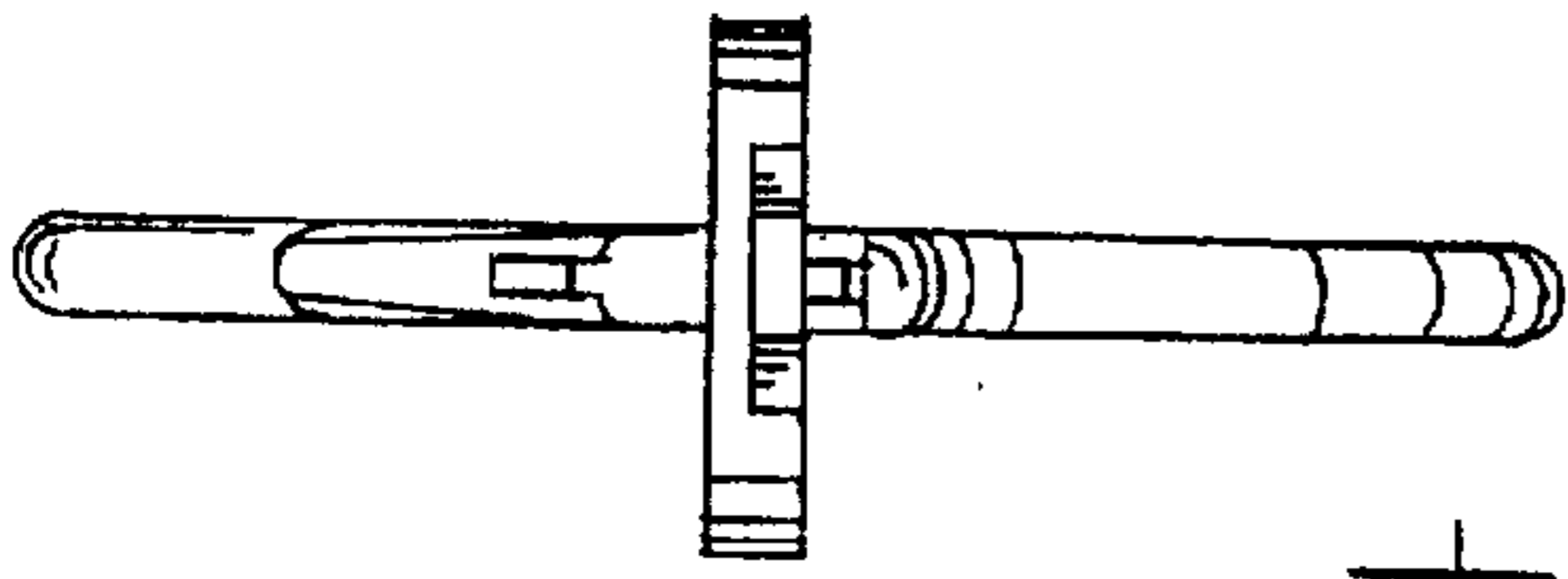


FIG. 4

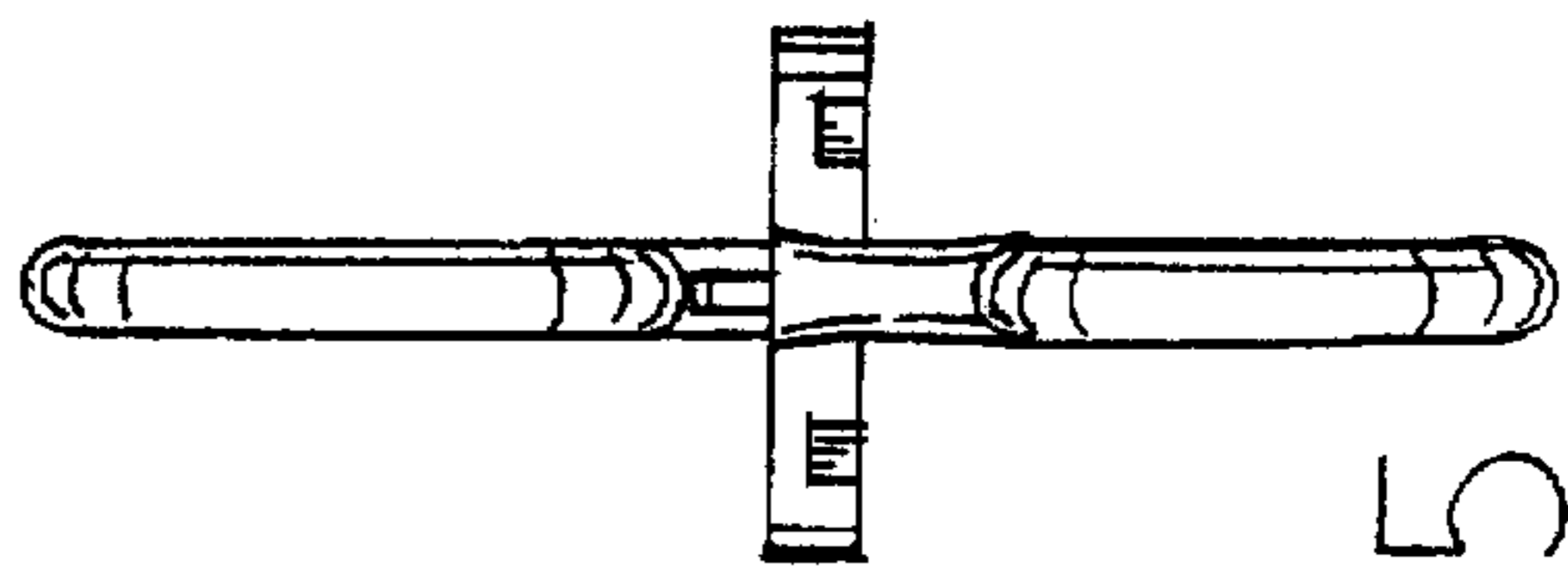


FIG. 5

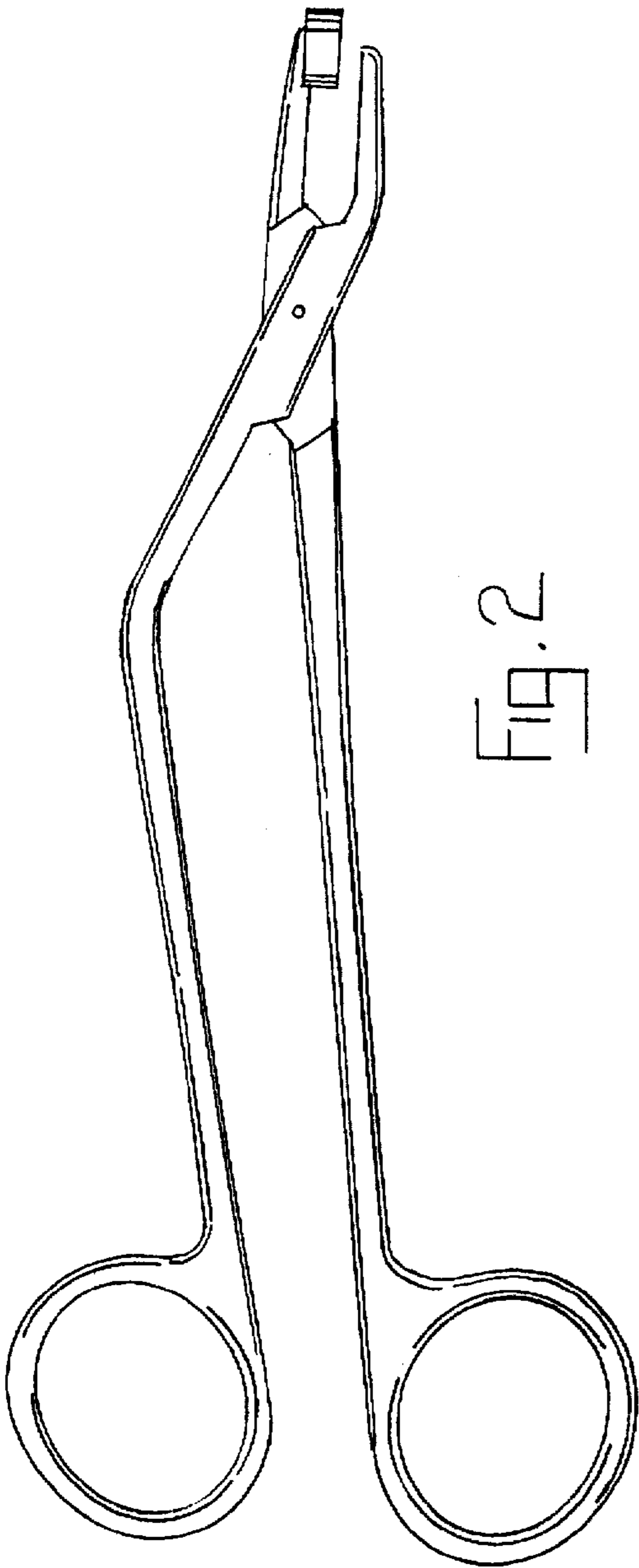


FIG. 2

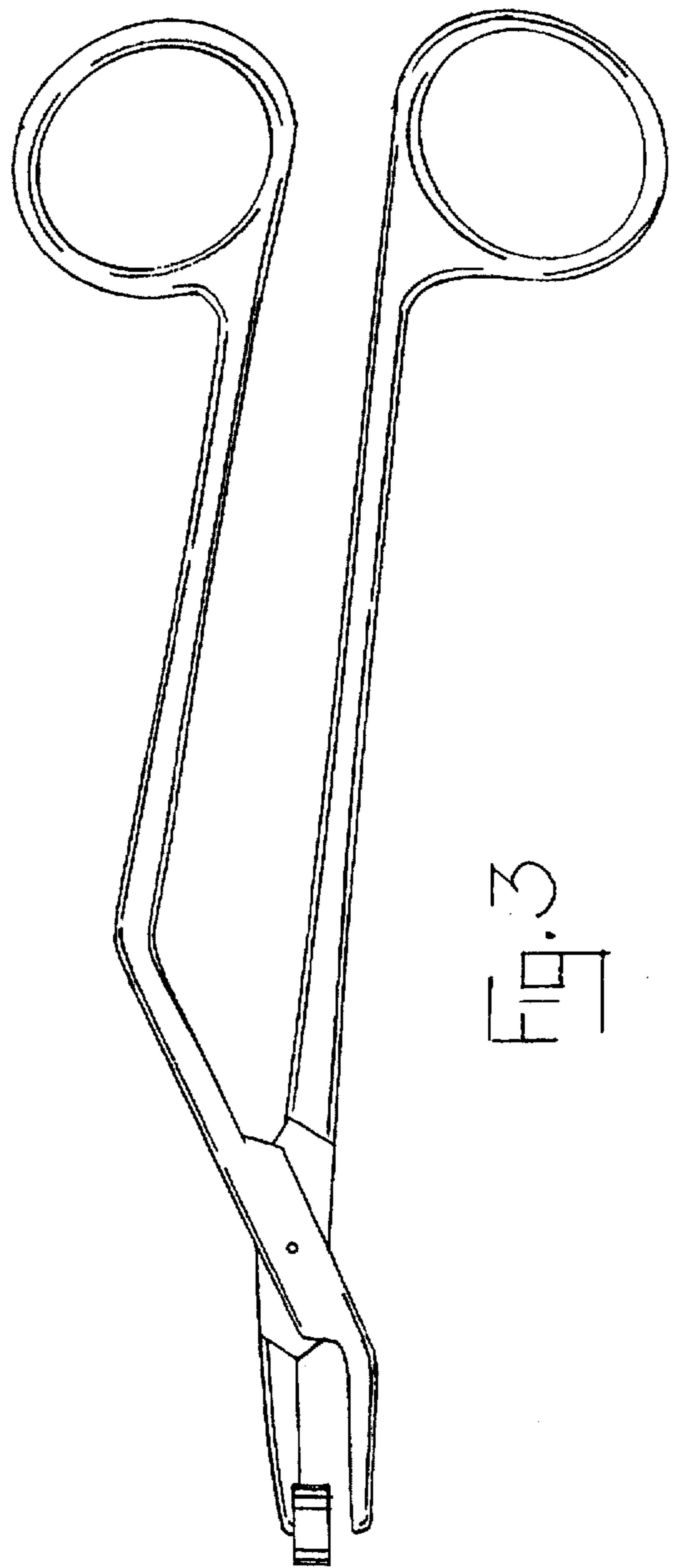


FIG. 3



FIG. 6

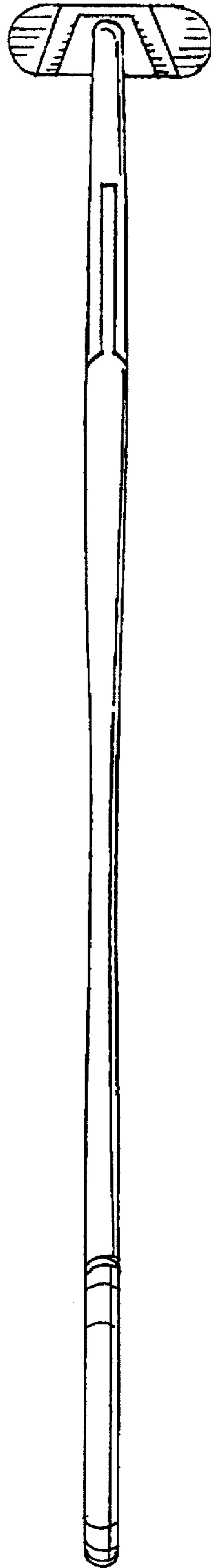


FIG. 7