



US00D390951S

United States Patent [19]
Yeh

[11] **Patent Number:** **Des. 390,951**
[45] **Date of Patent:** ****Feb. 17, 1998**

[54] **BIO ENERGIZER**
[76] **Inventor:** **Chu-Men Yeh, 1251 S. Beach Blvd.,
Suite P, La Habra, Calif. 90631**
[**] **Term:** **14 Years**

3,818,269	6/1974	Stark	361/231
3,861,894	1/1975	Marsh	55/467
4,031,320	6/1977	Brand et al.	600/28
5,063,912	11/1991	Hughes	600/28

FOREIGN PATENT DOCUMENTS

3312795	10/1984	Germany	600/26
---------	---------	---------	--------

[21] **Appl. No.:** **53,454**
[22] **Filed:** **Apr. 23, 1996**
[51] **LOC (6) Cl.** **24-01**
[52] **U.S. Cl.** **D24/107; D14/214; D14/215**
[58] **Field of Search** **D23/355, 364,
D23/365; 361/229, 231, 600, 679; 315/111.81;
96/16, 17; 422/186.04; 250/324-326, 423 R,
424, 423 P; D14/215, 216, 214, 195, 197;
600/26-28; D10/43; D13/162; D24/107**

Primary Examiner—Lisa Lichtenstein
Attorney, Agent, or Firm—David & Raymond; Raymond Y.
Chan

[57] **CLAIM**

The ornamental design for a bio energizer, as shown and described.

DESCRIPTION

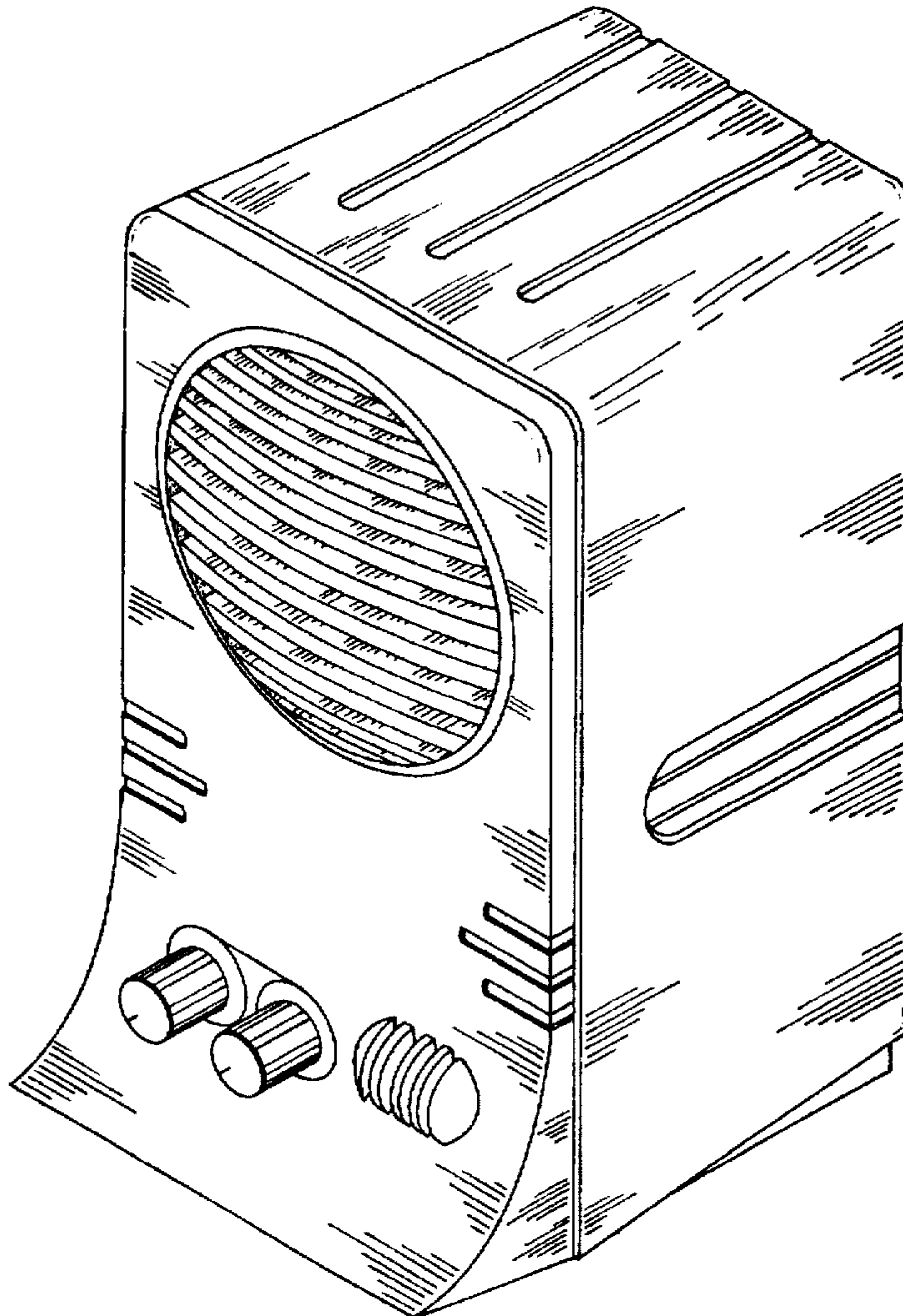
FIG. 1 is a perspective view showing my new design;
FIG. 2 is a front view thereof;
FIG. 3 is a left end view thereof (same as right end view);
FIG. 4 is a top view thereof;
FIG. 5 is a bottom view thereof; and,
FIG. 6 is a rear view thereof.

[56] **References Cited**

U.S. PATENT DOCUMENTS

D. 199,676	12/1964	Reed	D14/215
D. 227,669	7/1973	Mann	D23/364
D. 351,800	10/1994	Liao	D10/43
2,670,807	3/1954	Brown	D14/215

1 Claim, 4 Drawing Sheets



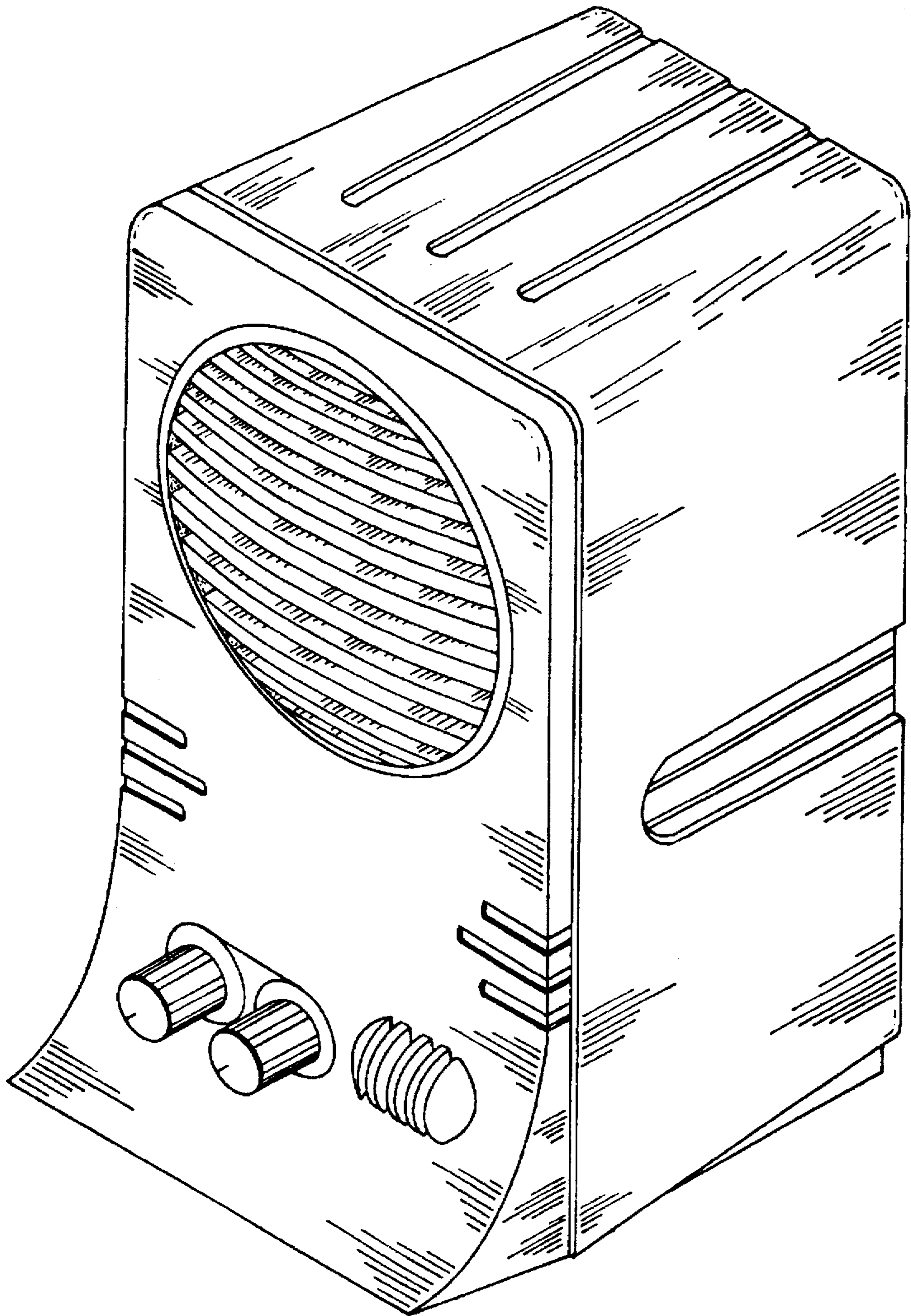


FIG. 1

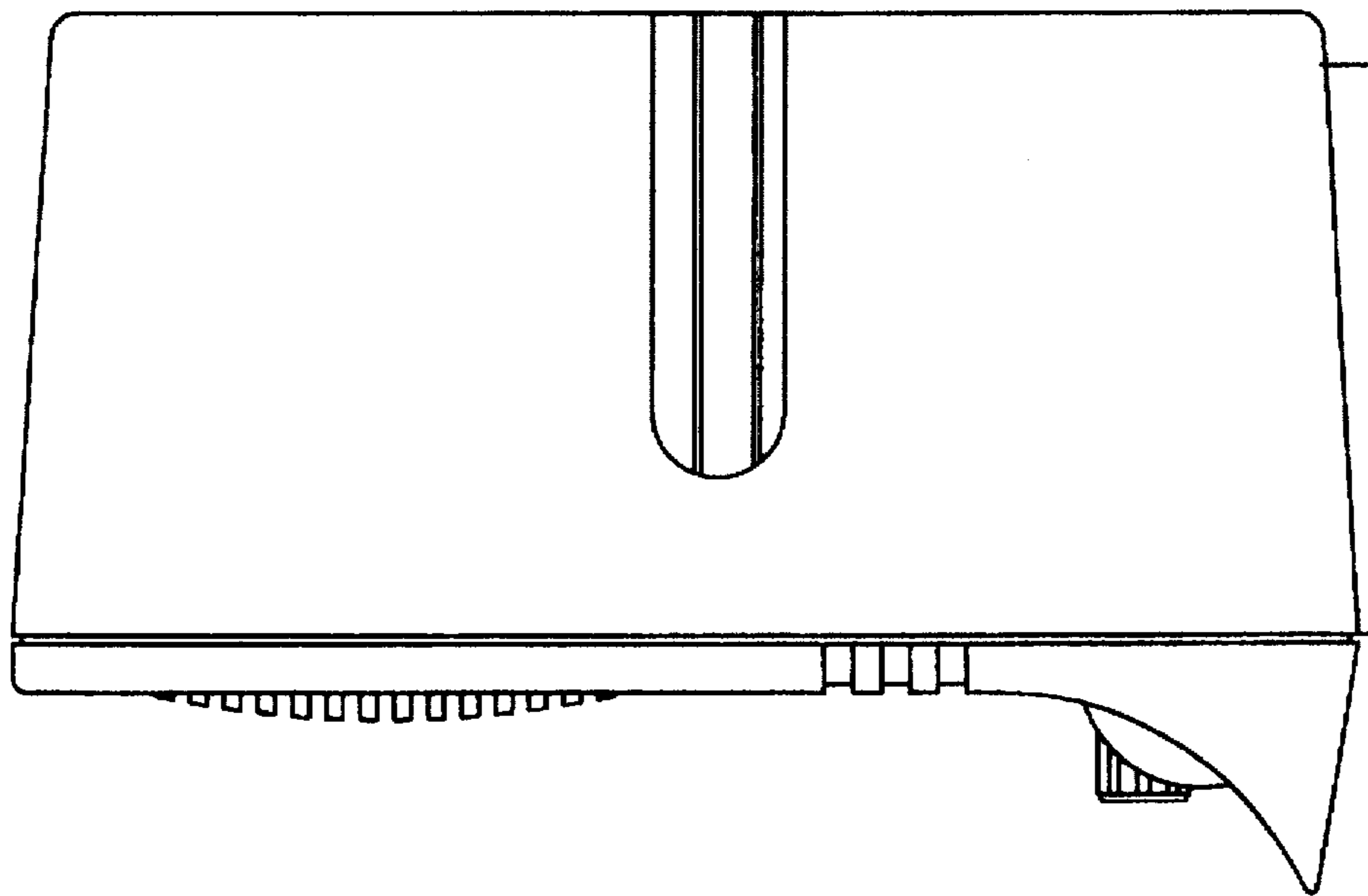


FIG 3

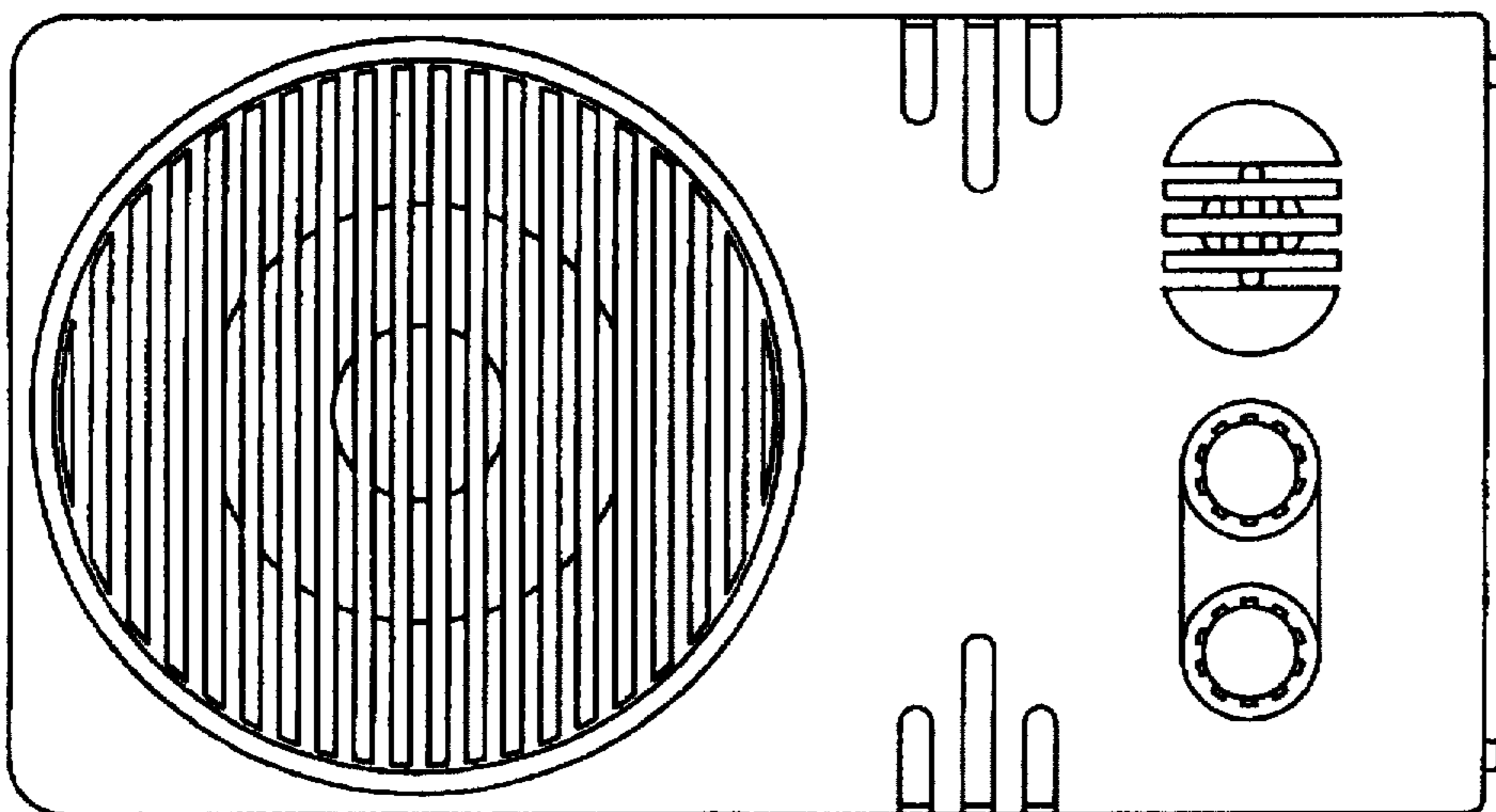


FIG 2

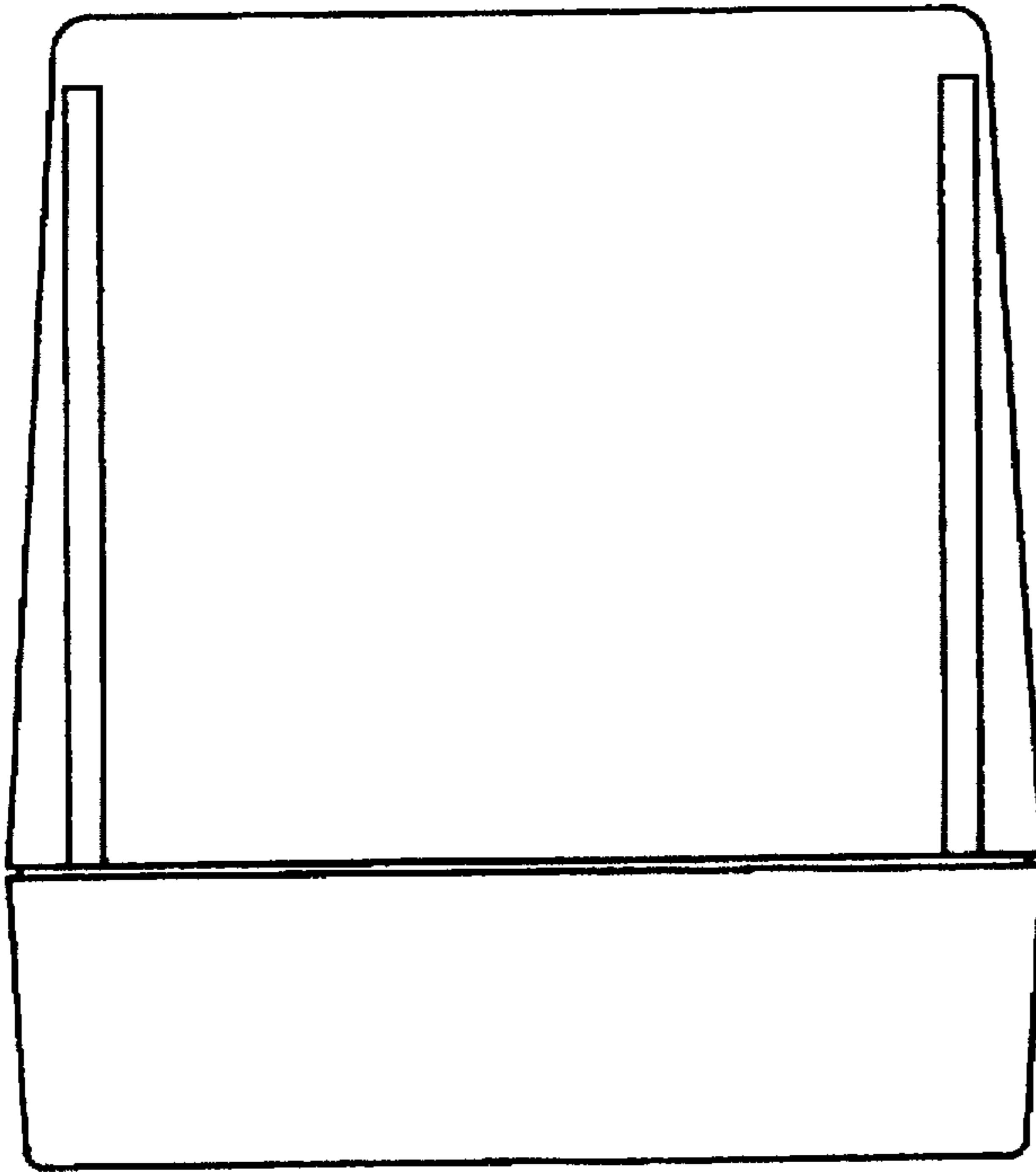


FIG 5

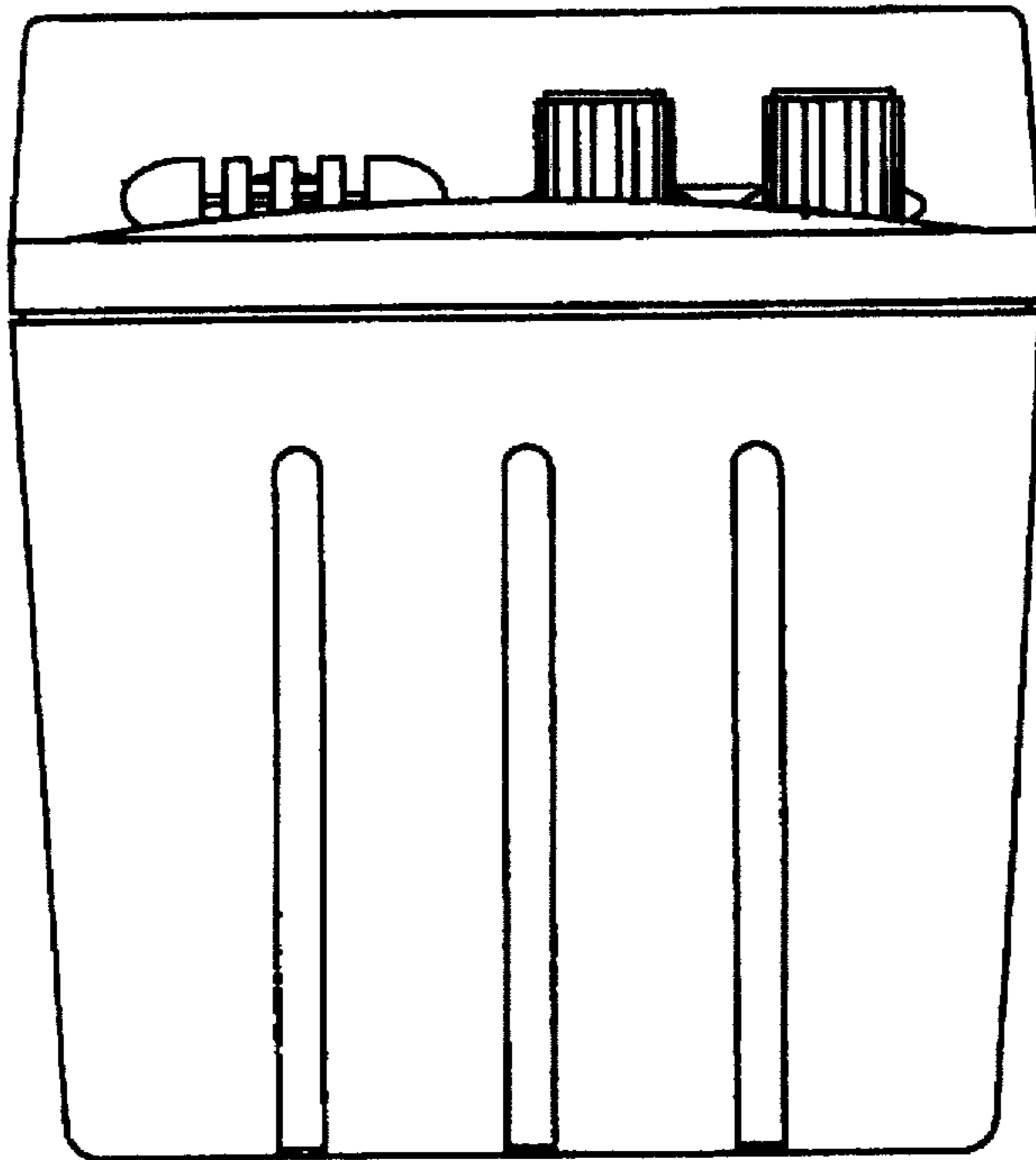


FIG 4

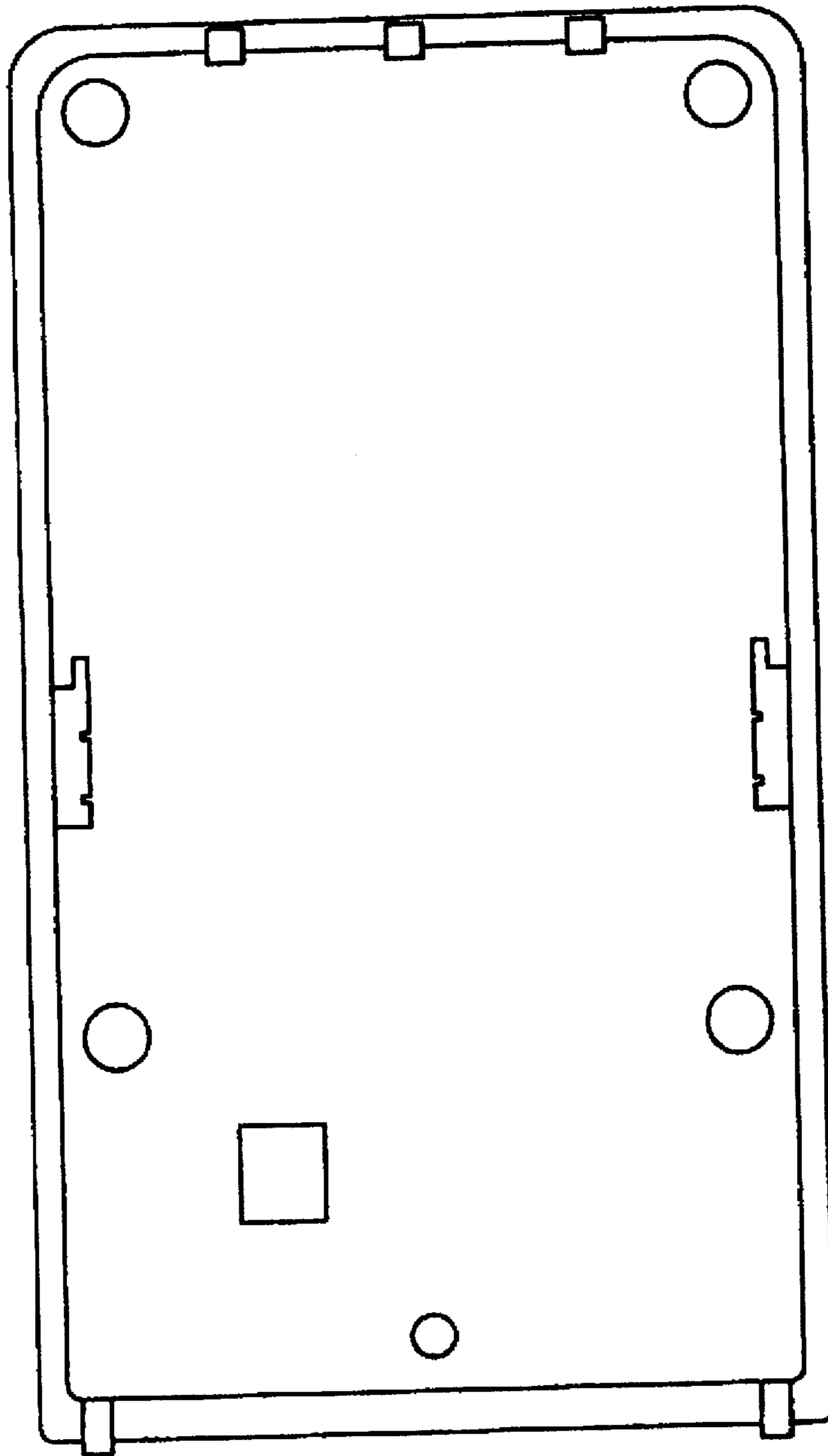


FIG 6