

US00D390945S

United States Patent [19] Pickett

[11] Patent Number: **Des. 390,945**

[45] Date of Patent: ****Feb. 17, 1998**

[54] COMBINED CEILING FAN AND LIGHT KIT

[75] Inventor: **Mark Pickett**, Rancho Palos Verdes, Calif.

[73] Assignee: **Minka Lighting Inc.**, Corona, Calif.

[**] Term: **14 Years**

[21] Appl. No.: **60,976**

[22] Filed: **Oct. 15, 1996**

[51] LOC (6) Cl. **23-04**

[52] U.S. Cl. **D23/377; D23/379; D23/385; D26/80**

[58] Field of Search **D23/377, 379, D23/385, 411, 413; 416/5; 392/364; 362/96; D26/80, 81-86, 88, 72, 73, 51, 59; D7/576, 582**

[56] References Cited

U.S. PATENT DOCUMENTS

D. 270,942	10/1983	McCain	D23/379
D. 341,991	12/1993	Frere	D7/576
D. 363,346	10/1995	Wang	D23/377

OTHER PUBLICATIONS

Mikasa Tableware, Plate ©, bottom of page.

Primary Examiner—Lisa Lichtenstein
Attorney, Agent, or Firm—Jenkins & Gilchrist, a Professional Corporation

[57] CLAIM

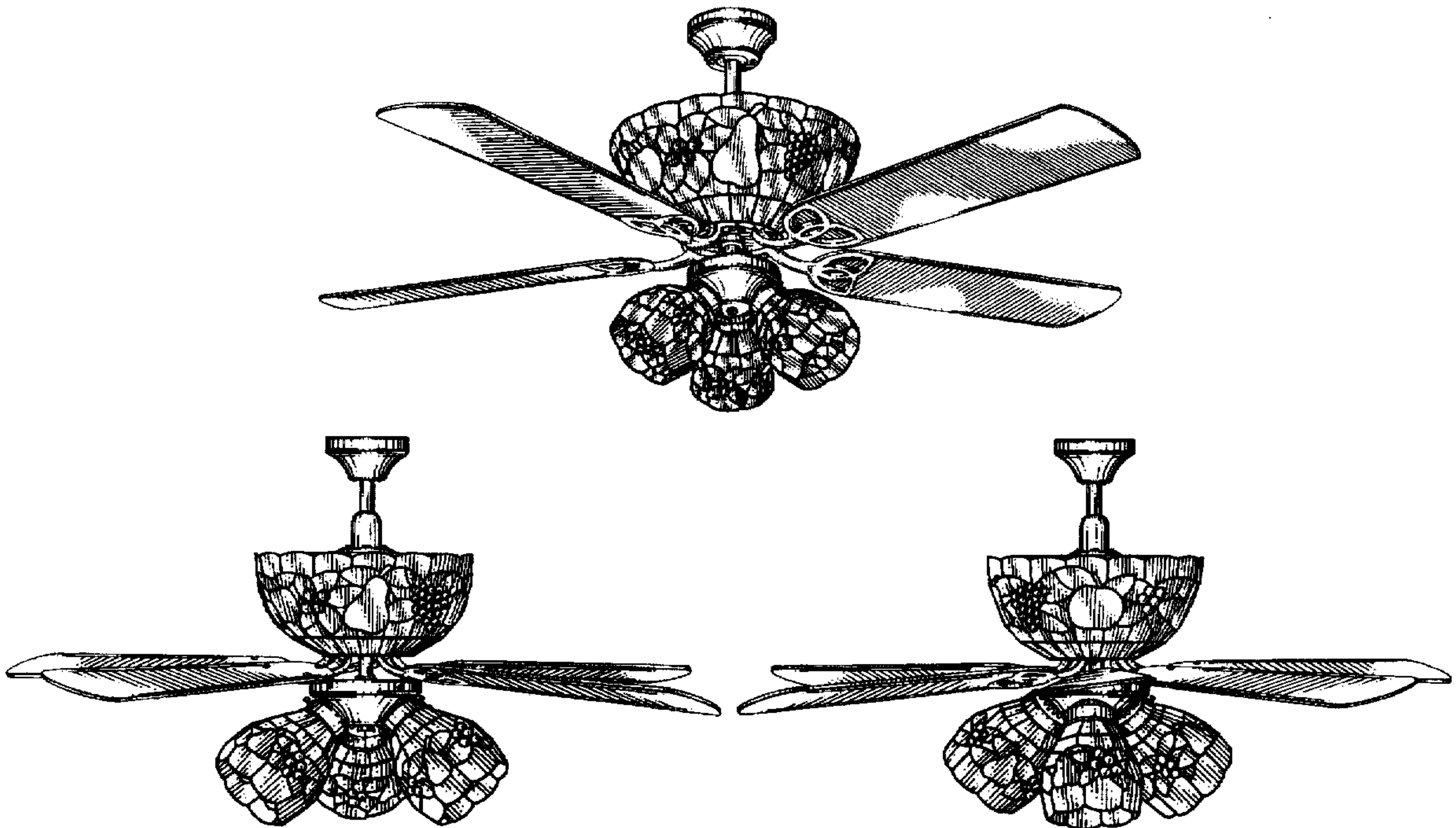
The ornamental design for a combined ceiling fan and light kit, as shown and described.

DESCRIPTION

FIG. 1 is a front perspective view of a combined ceiling fan and light kit incorporating my ornamental design; FIG. 2 is a front view of the combined ceiling fan and light kit of FIG. 1, the rear being substantially identical to that shown except for the position of the light shades; FIG. 3 is a side view of a representative side of the combined ceiling fan and light kit of FIG. 1; FIG. 4 is a bottom view of the combined ceiling fan and light kit of FIG. 1; and, FIG. 5 is a top view of the combined ceiling fan and light kit of FIG. 1.

Four of the fan blades have been shown broken-away in FIGS. 4 and 5 for ease of illustration.

1 Claim, 5 Drawing Sheets



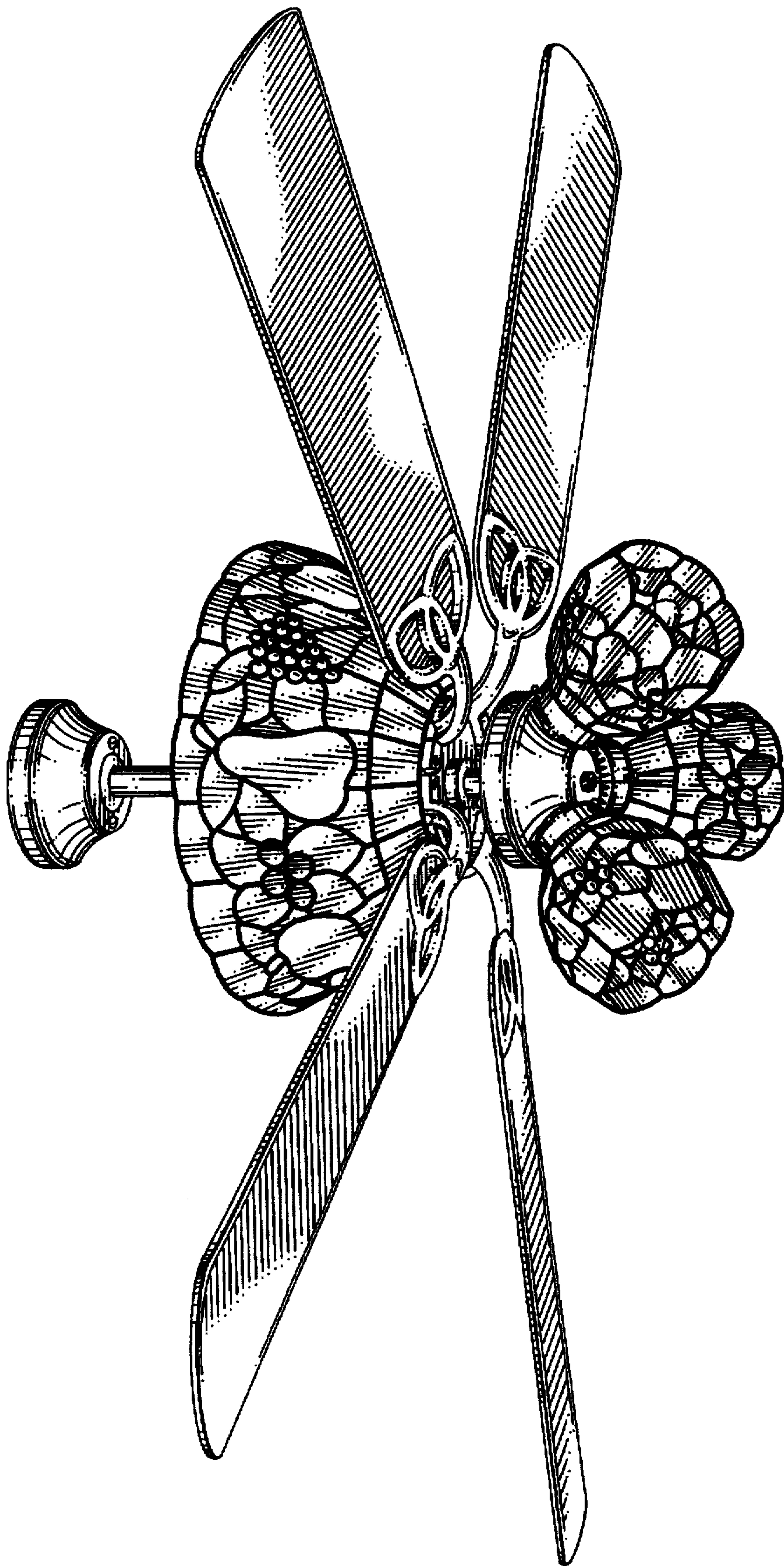


FIG. 1

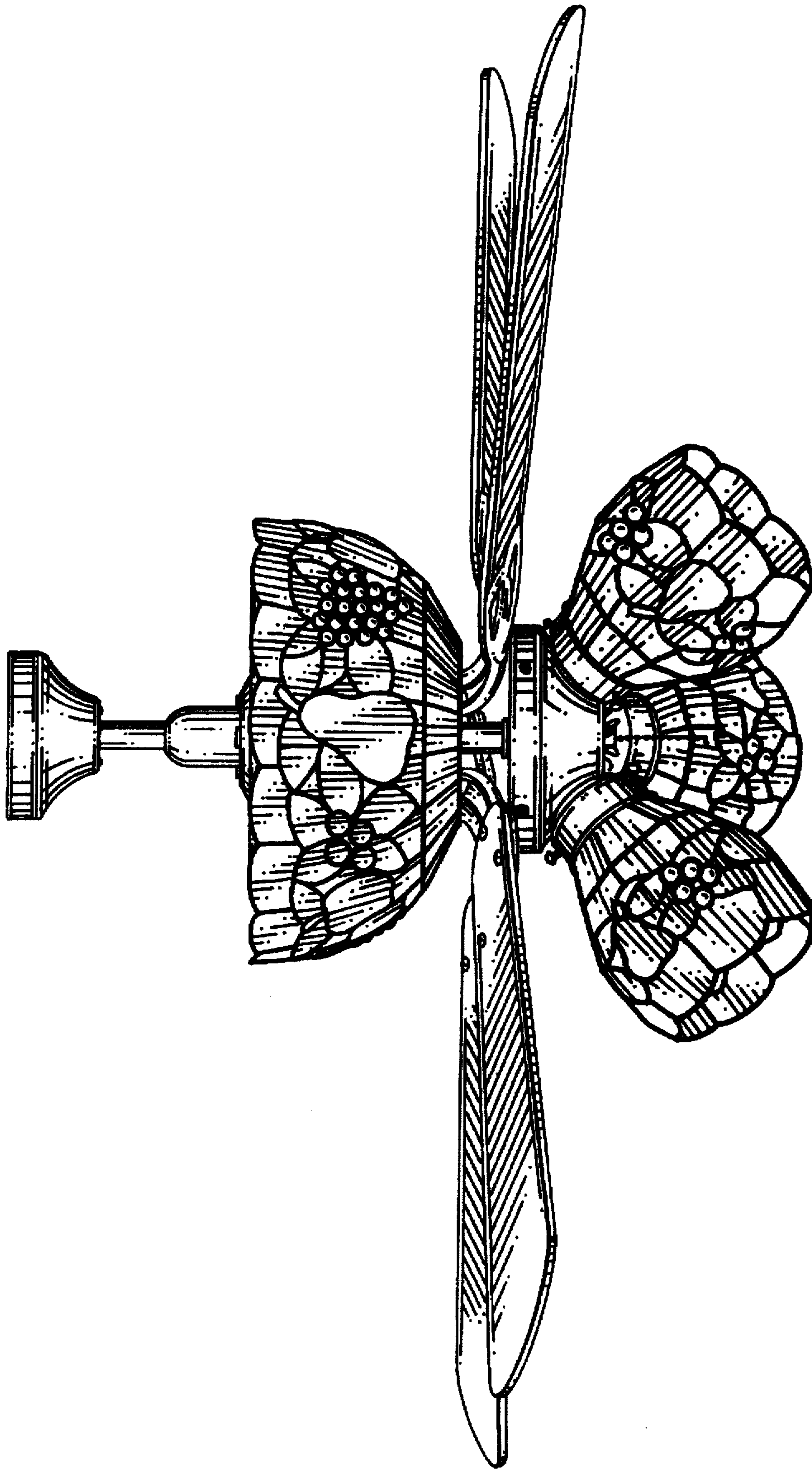


FIG. 2

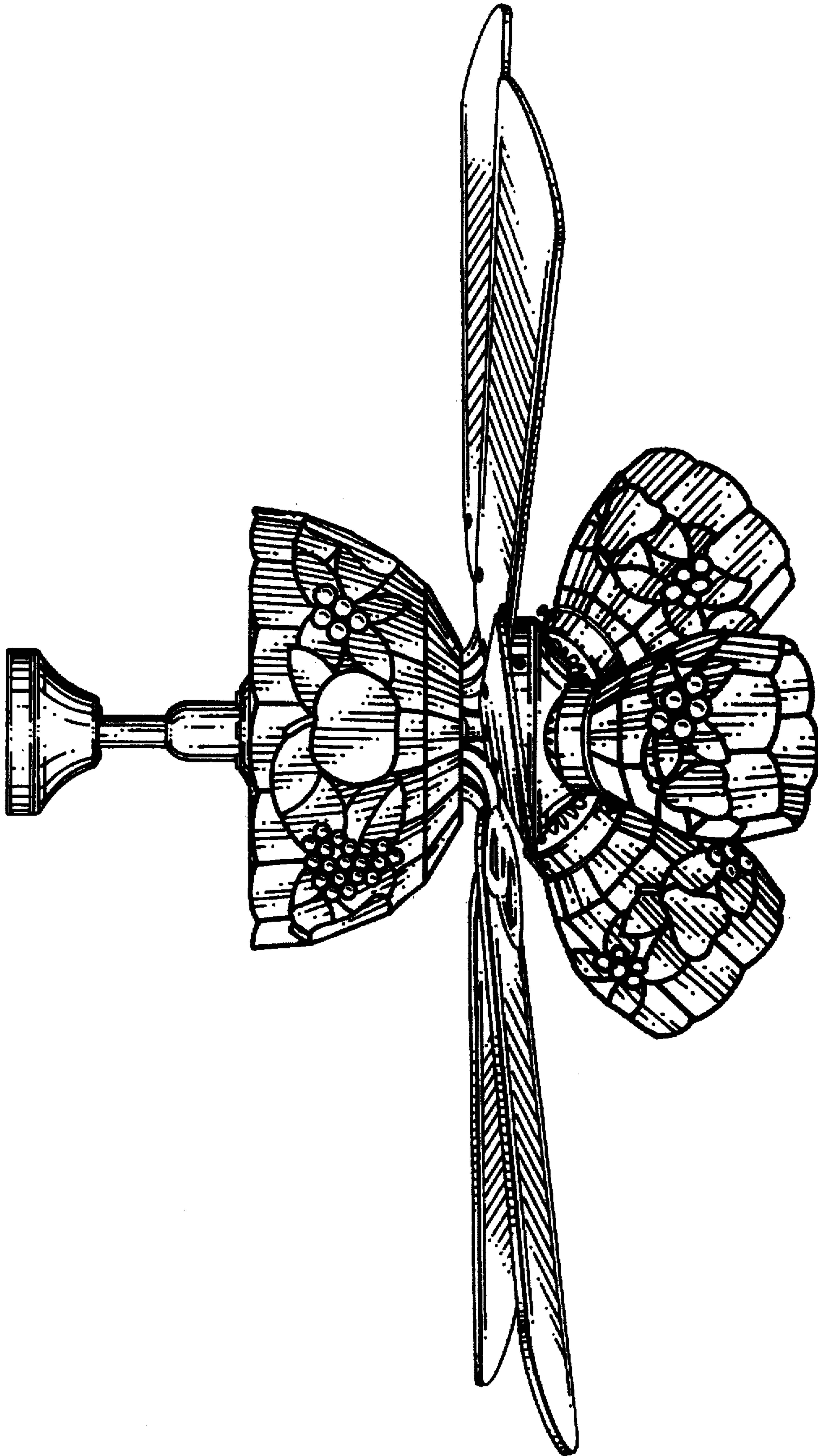


FIG. 3

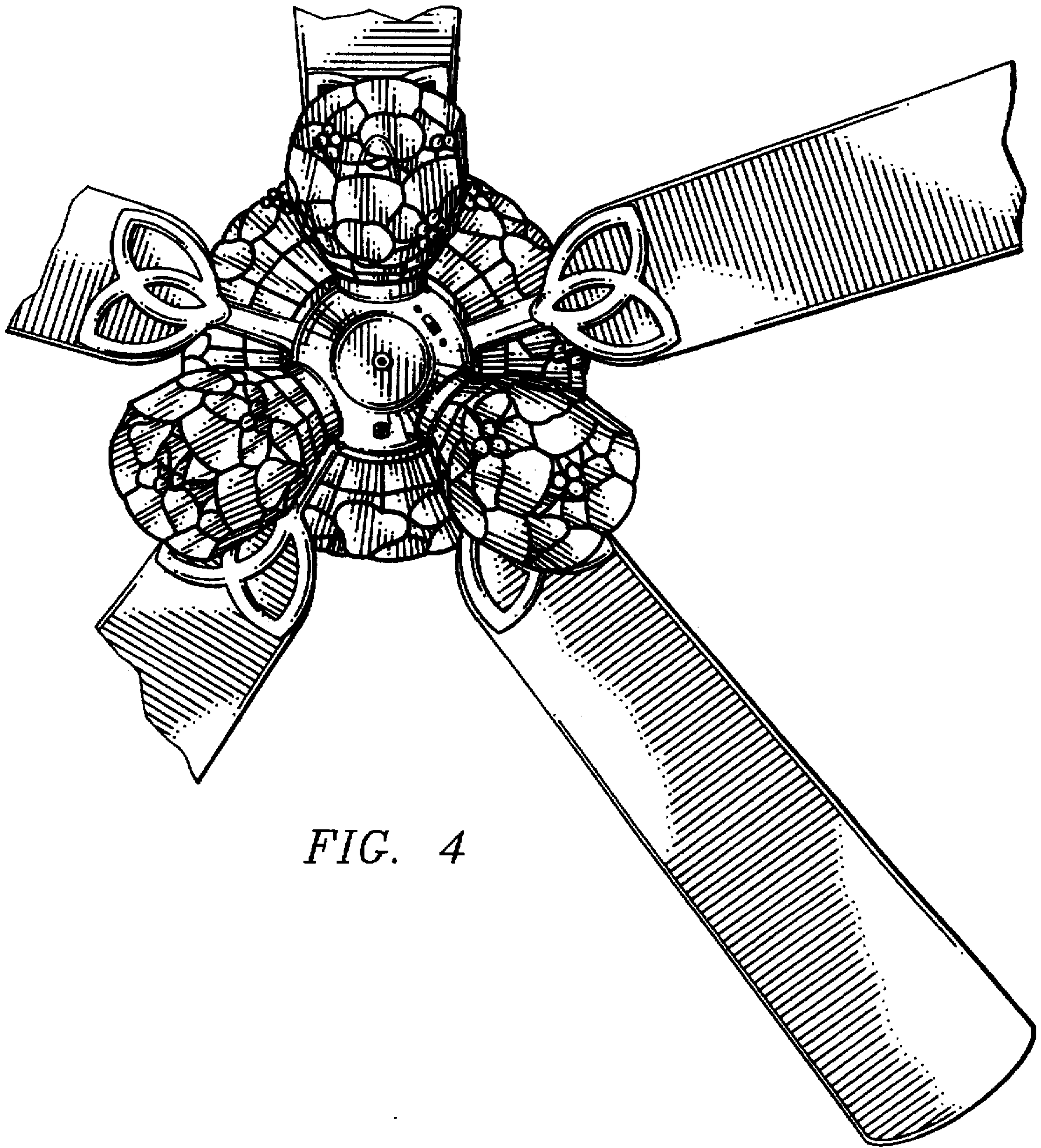


FIG. 4

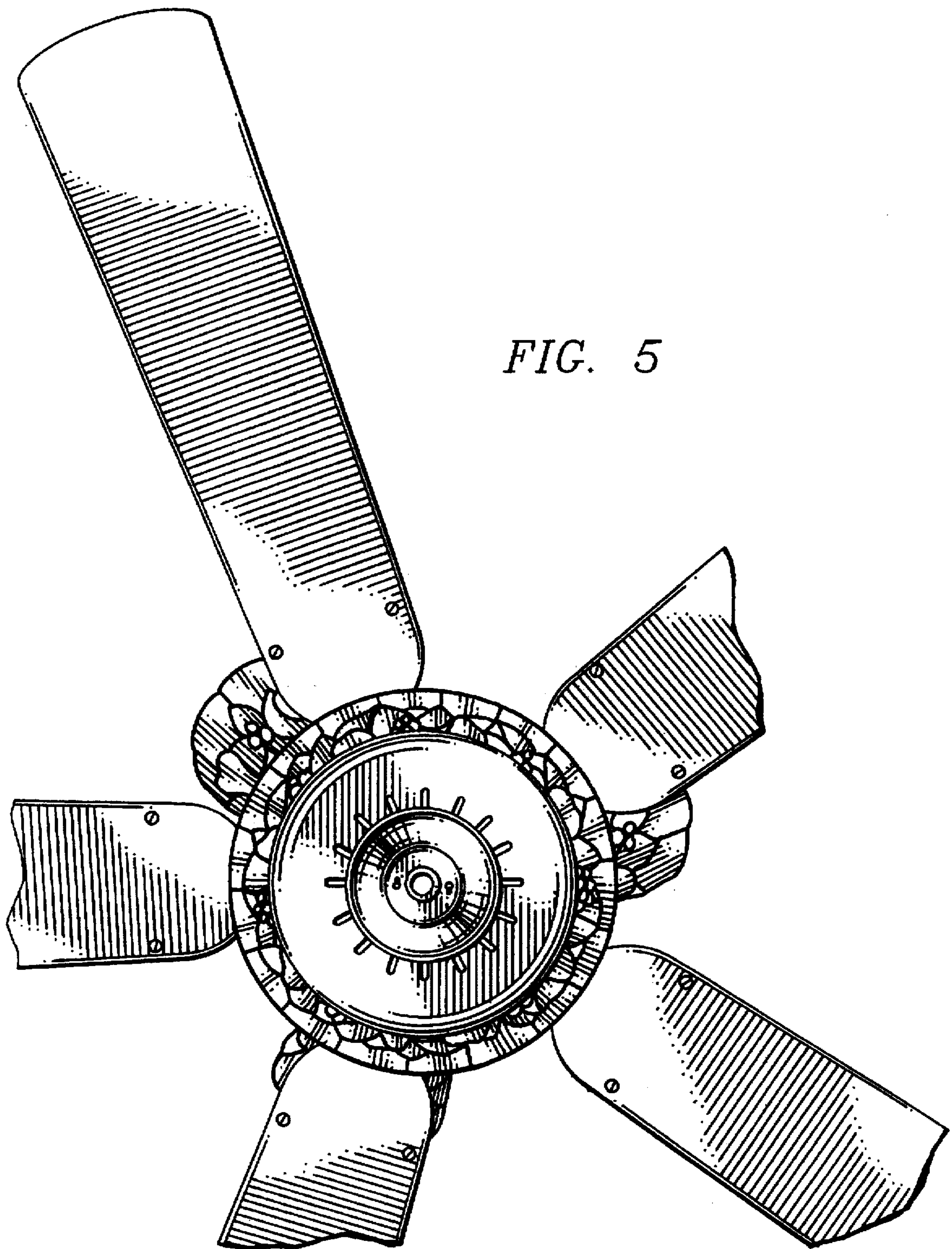


FIG. 5