



US00D390939S

United States Patent [19]
Colandro

[11] **Patent Number: Des. 390,939**
[45] **Date of Patent: **Feb. 17, 1998**

[54] **ELECTRIC FRAGRANCE DISPENSER FOR
INSERTION IN A VEHICLE CIGARETTE
LIGHTER SOCKET**

5,394,506 2/1995 Stein et al. 392/390
5,521,357 5/1996 Lock et al. 392/390
5,574,821 11/1996 Babasade 392/390

[76] **Inventor: Anthony G. Colandro, 6045 Auguta
National Dr. #204, Orlando, Fla. 32812**

Primary Examiner—Lisa Lichtenstein

[**] **Term: 14 Years**

[57] **CLAIM**

[21] **Appl. No.: 59,974**

The ornamental design for an electric fragrance dispenser for insertion in a vehicle cigarette lighter socket, as shown and described.

[22] **Filed: Sep. 19, 1996**

DESCRIPTION

[51] **LOC (6) Cl. 23-04**

[52] **U.S. Cl. D23/366**

[58] **Field of Search D23/366-369;
392/390, 404, 405, 406; D13/144; 261/DIG. 65;
422/123, 125, 4**

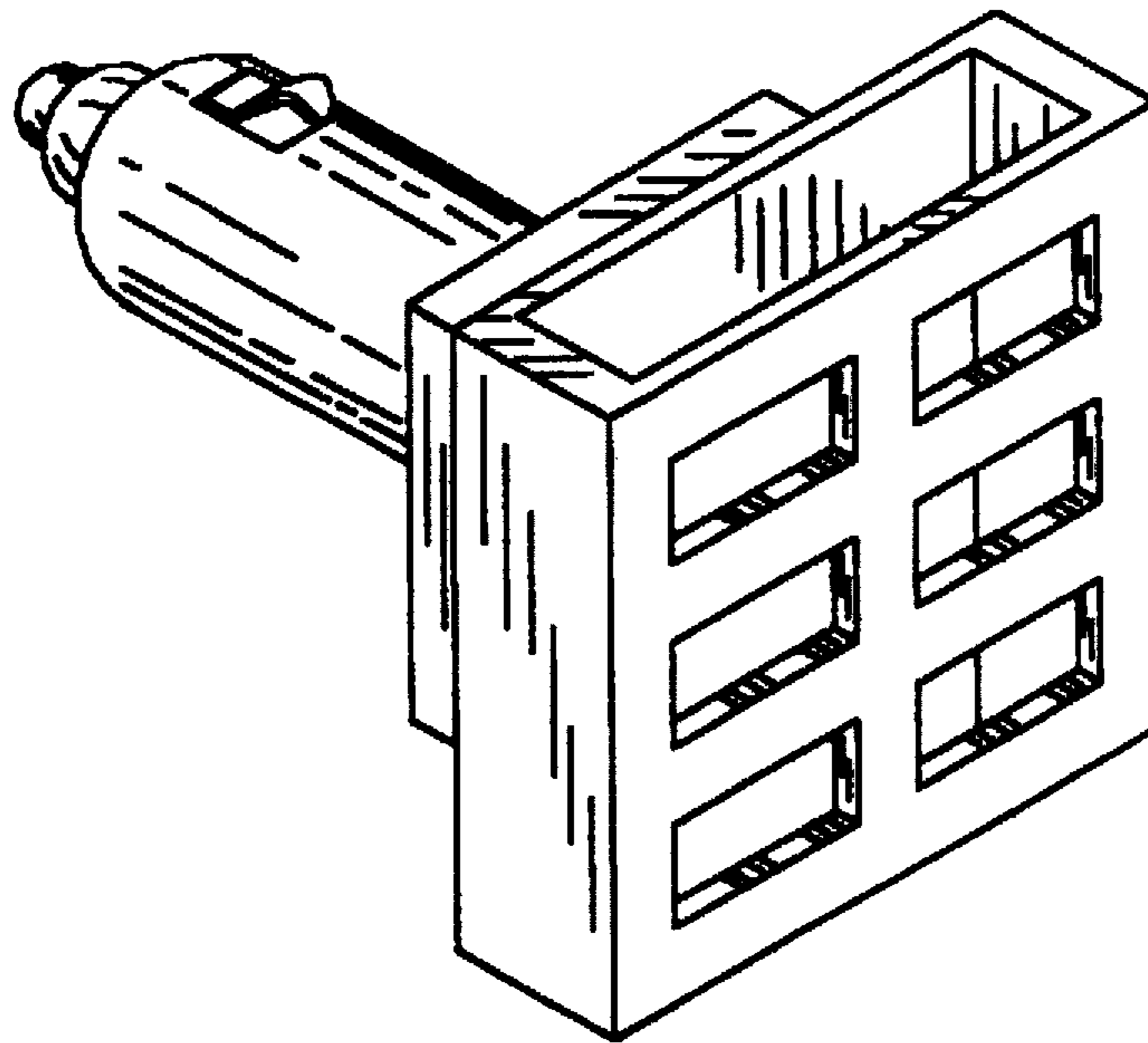
FIG. 1 is a perspective view of an electric fragrance dispenser for insertion in a vehicle cigarette lighter socket showing my new design;
FIG. 2 is a top plan view thereof;
FIG. 3 is a bottom plan view thereof;
FIG. 4 is a right side elevational view thereof, the opposite side being a mirror image of that shown;
FIG. 5 is a front end elevational view thereof; and,
FIG. 6 is a rear end elevational view thereof.

[56] **References Cited**

U.S. PATENT DOCUMENTS

D. 341,123 11/1993 Hakanen et al. D13/144
5,373,581 12/1994 Smith 392/390

1 Claim, 2 Drawing Sheets



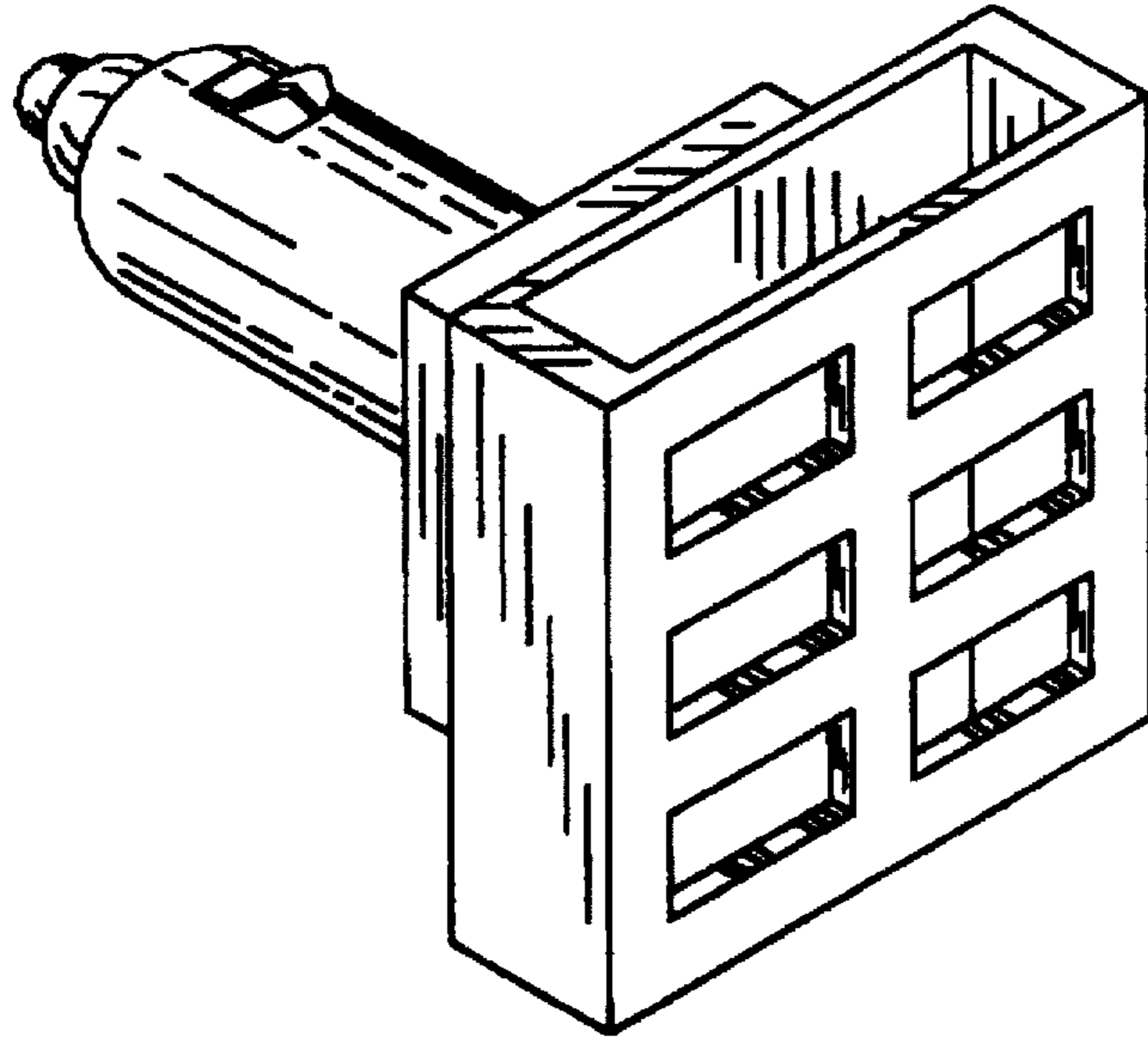


FIG 1

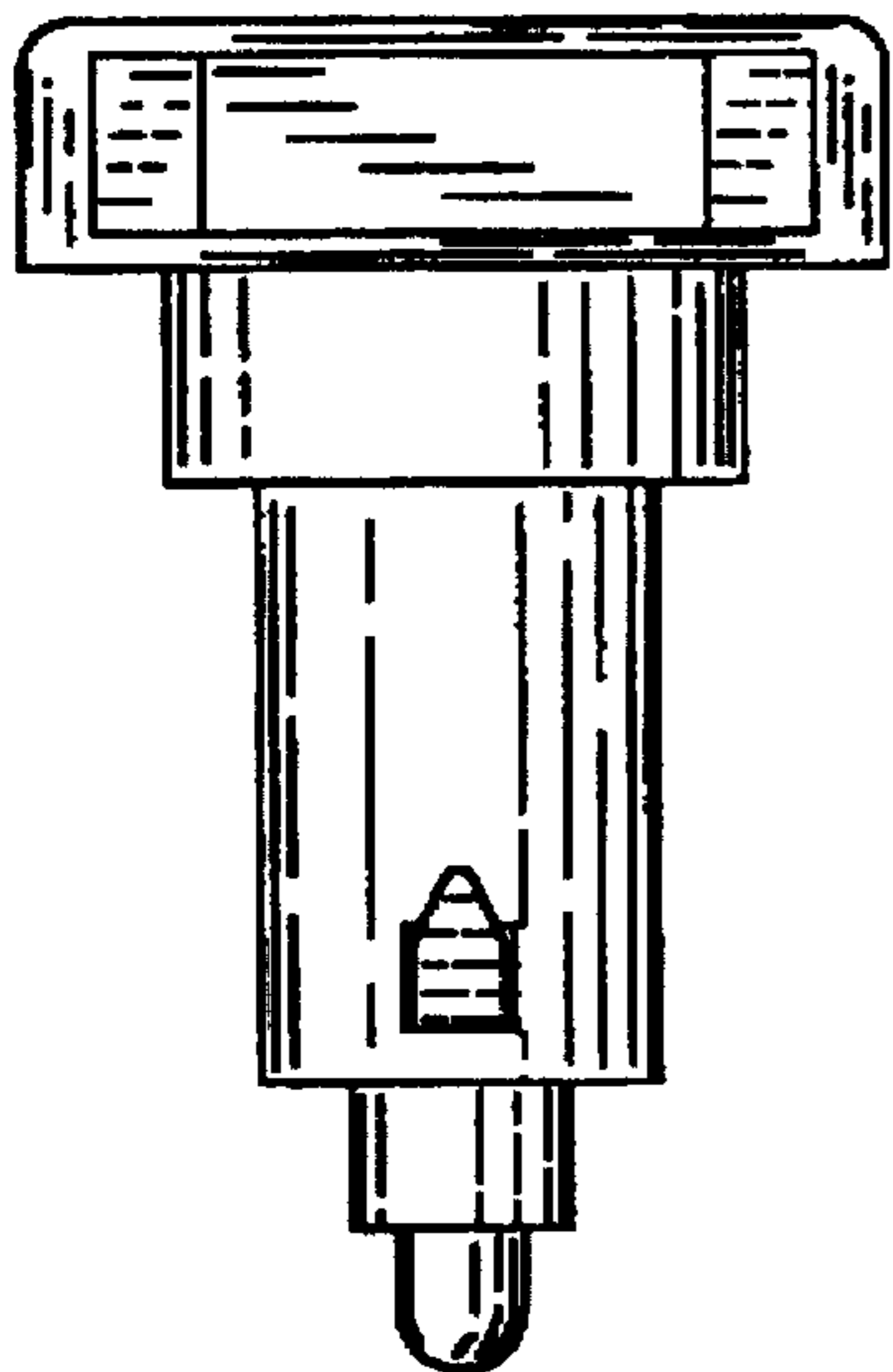


FIG 2

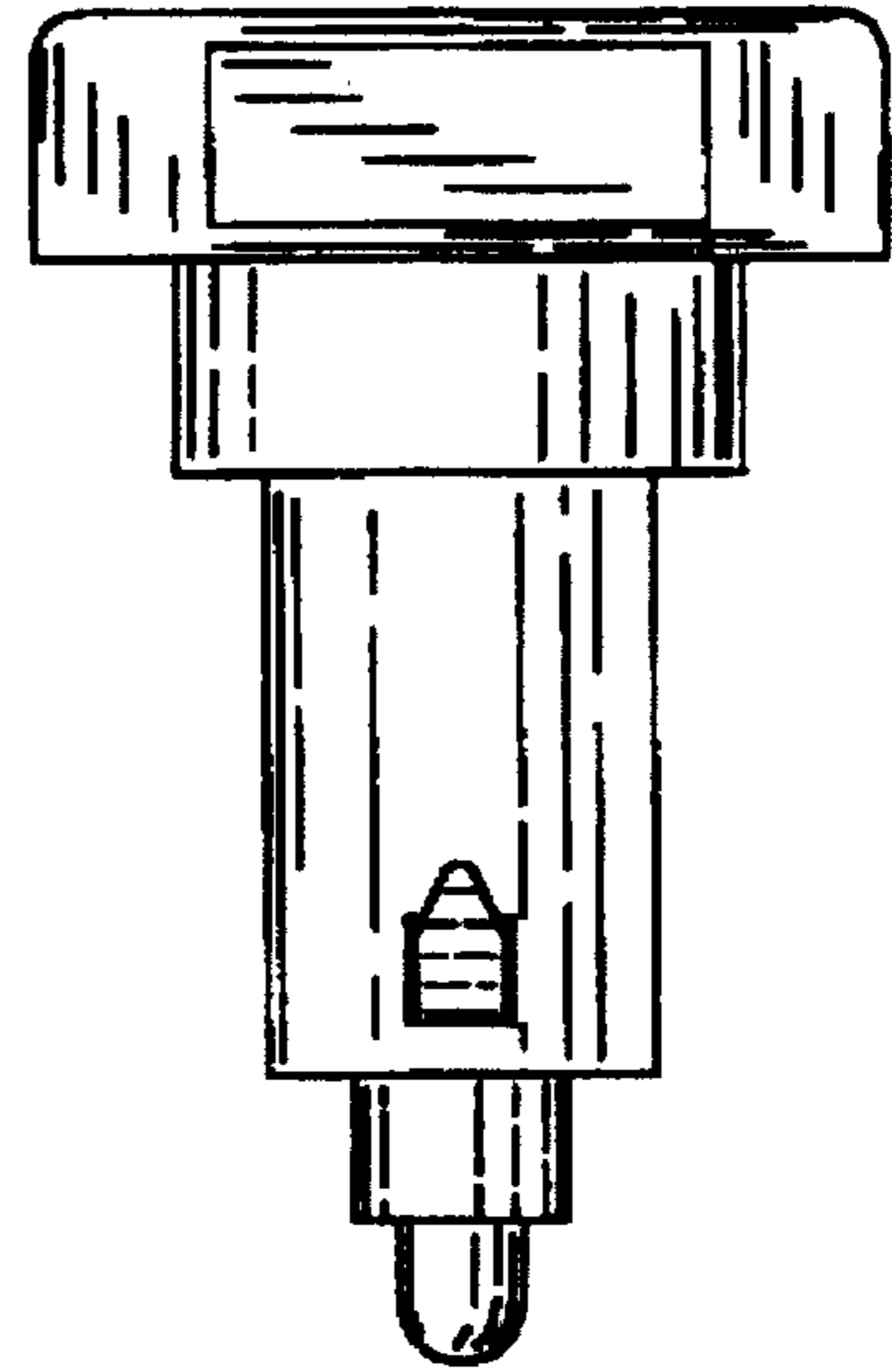


FIG 3

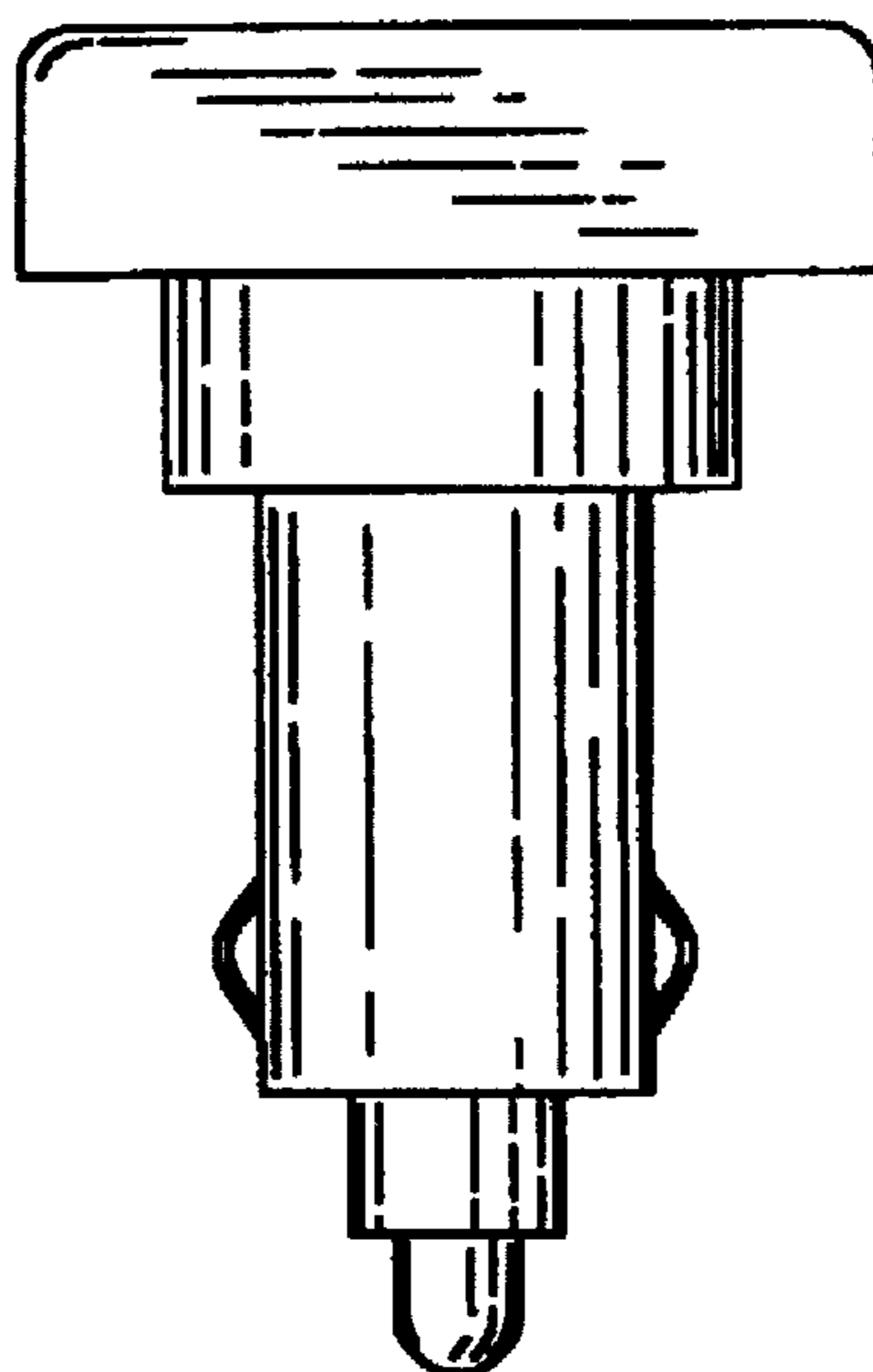


FIG 4

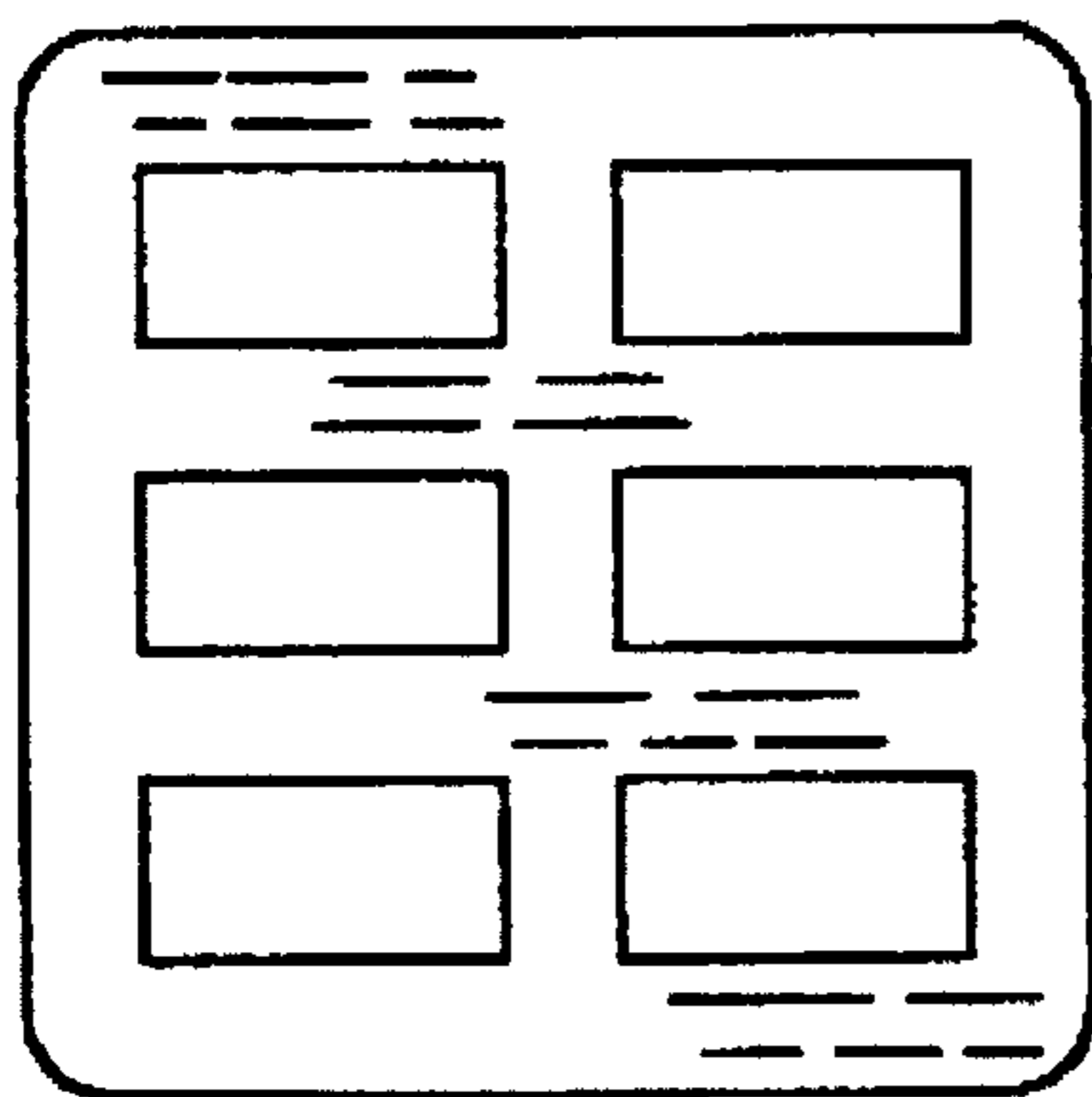


FIG 5

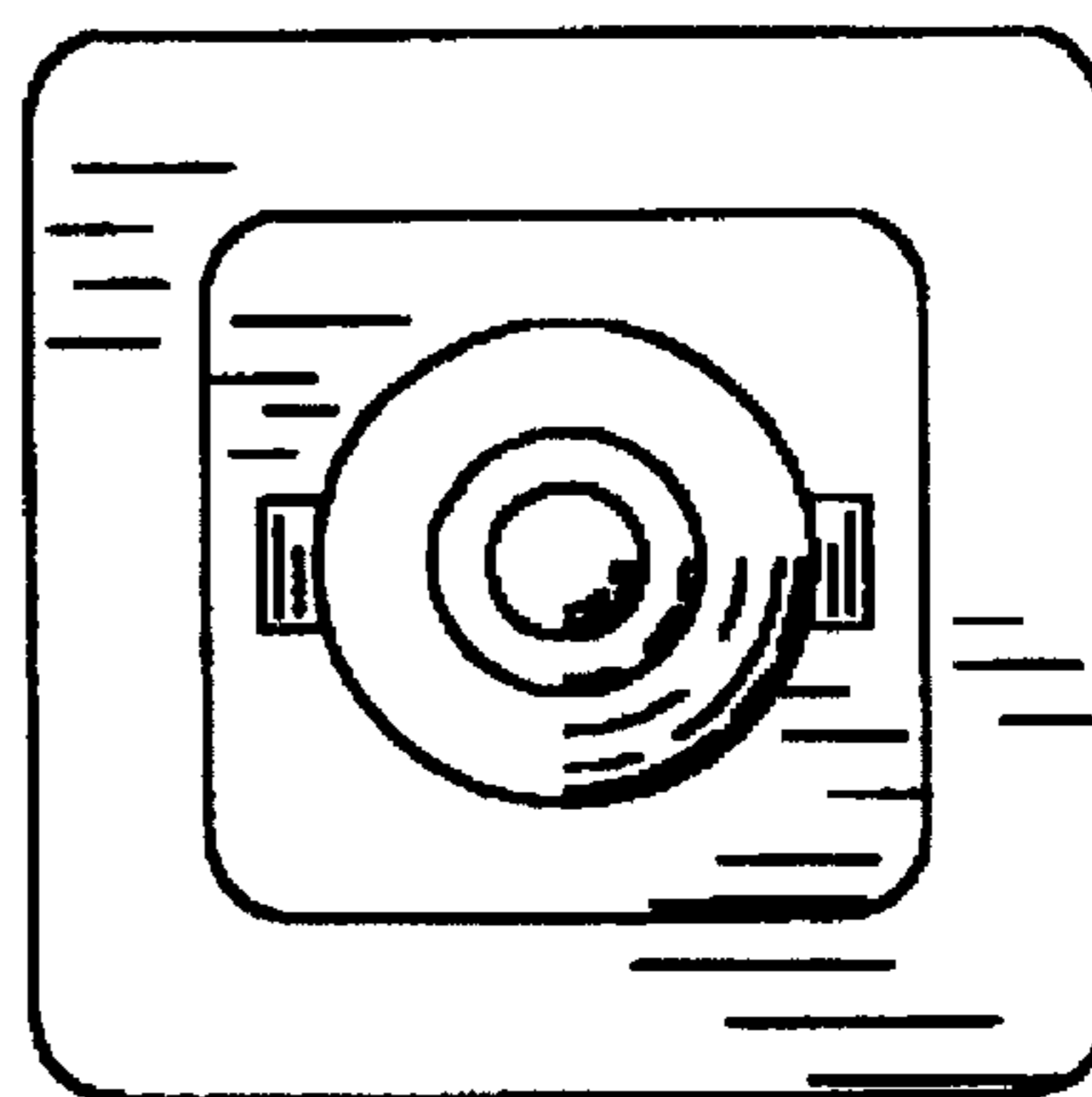


FIG 6