



US00D390931S

# United States Patent [19] Jackson

[11] Patent Number: **Des. 390,931**  
[45] Date of Patent: **\*\*Feb. 17, 1998**

- [54] **RAISED TOILET SEAT**
- [75] Inventor: **Simon C. Jackson**, Winchester, United Kingdom
- [73] Assignee: **Smith & Nephew Homecraft Limited**, Farnham, United Kingdom
- [\*\*] Term: **14 Years**
- [21] Appl. No.: **45,048**
- [22] Filed: **Oct. 6, 1995**
- [30] **Foreign Application Priority Data**  
Apr. 6, 1995 [GB] United Kingdom ..... 2046596
- [51] LOC (6) Cl. .... **23-02**
- [52] U.S. Cl. .... **D23/311**
- [58] Field of Search ..... D23/309, 310, D23/311, 312, 313; 4/233-239

4,462,122	7/1984	Broeils .....	4/239
4,638,514	1/1987	Landsberger .....	4/235
5,028,445	7/1991	Lorcano .....	4/235
5,412,815	5/1995	Ellis .....	4/239

### OTHER PUBLICATIONS

"Homecare" Publication p 70 Advertisement for Ableware, Middle item, Feb. 1994.

*Primary Examiner*—Louis S. Zarfaz  
*Assistant Examiner*—Eric Watterson  
*Attorney, Agent, or Firm*—Larson & Taylor

### [57] CLAIM

The ornamental design for a raised toilet seat, as shown and described.

### DESCRIPTION

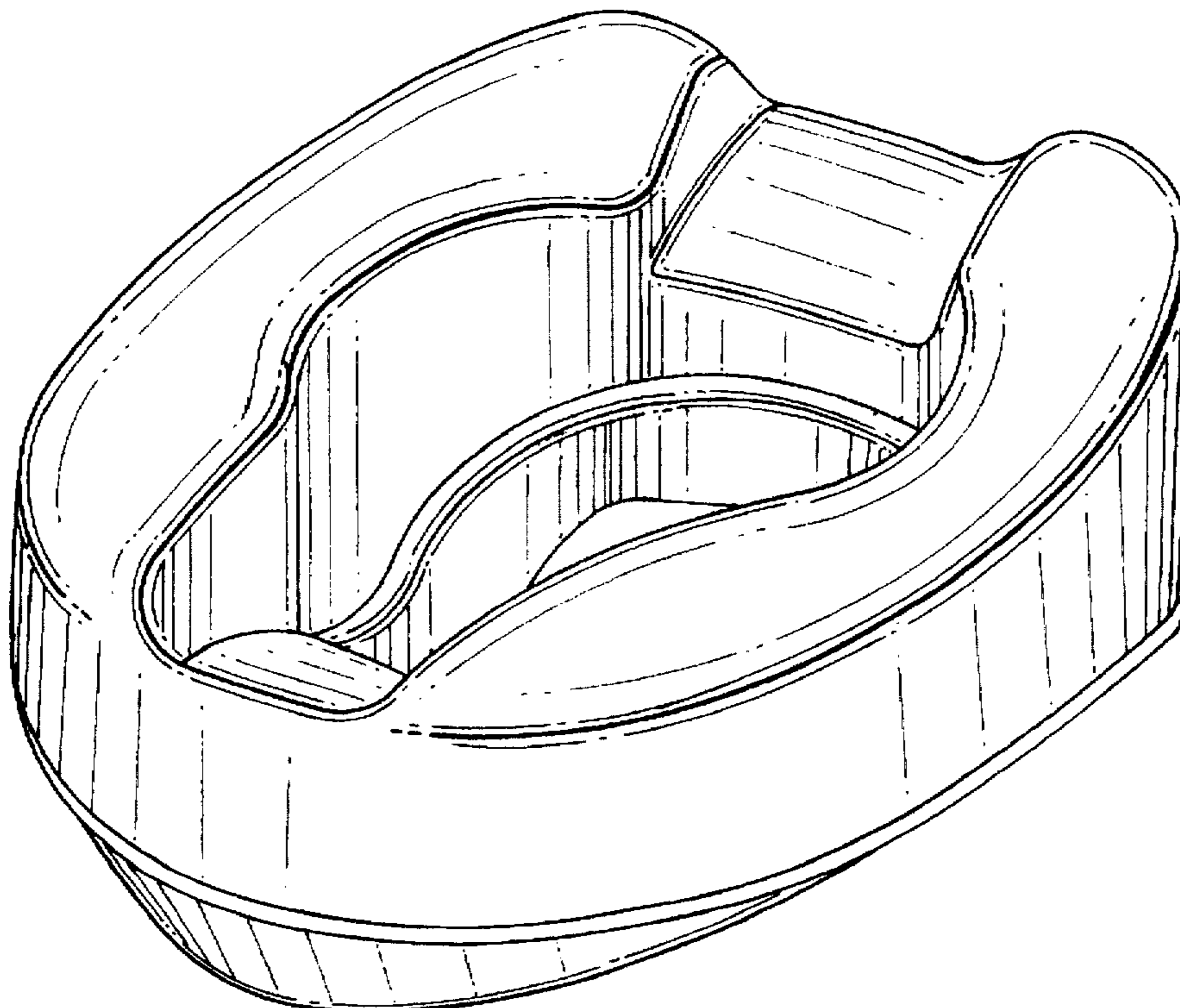
FIG. 1 is a perspective view of the design from the front, one side and above;  
 FIG. 2 is a perspective view of the design from the rear, the other side, and above;  
 FIG. 3 is a perspective view of the design from the rear, one side and below;  
 FIG. 4 is a perspective view of the design from front, other side and below;  
 FIG. 5 is a view from the right side, the left side being a mirror image;  
 FIG. 6 is a view of the design from the front;  
 FIG. 7 is a view of the design from the rear;  
 FIG. 8 is a view of the design from above; and,  
 FIG. 9 is a view of the design from below.

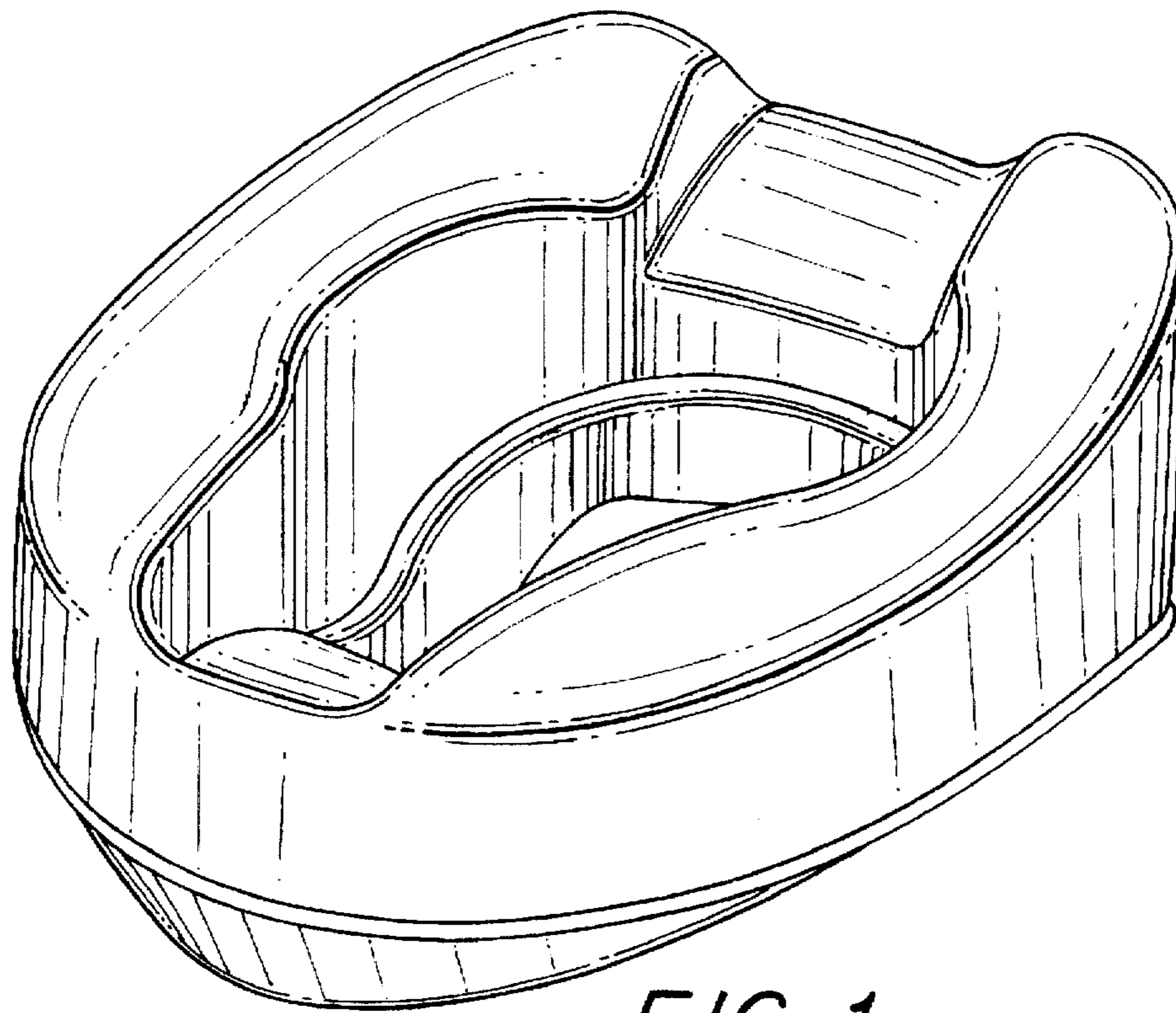
### [56] References Cited

#### U.S. PATENT DOCUMENTS

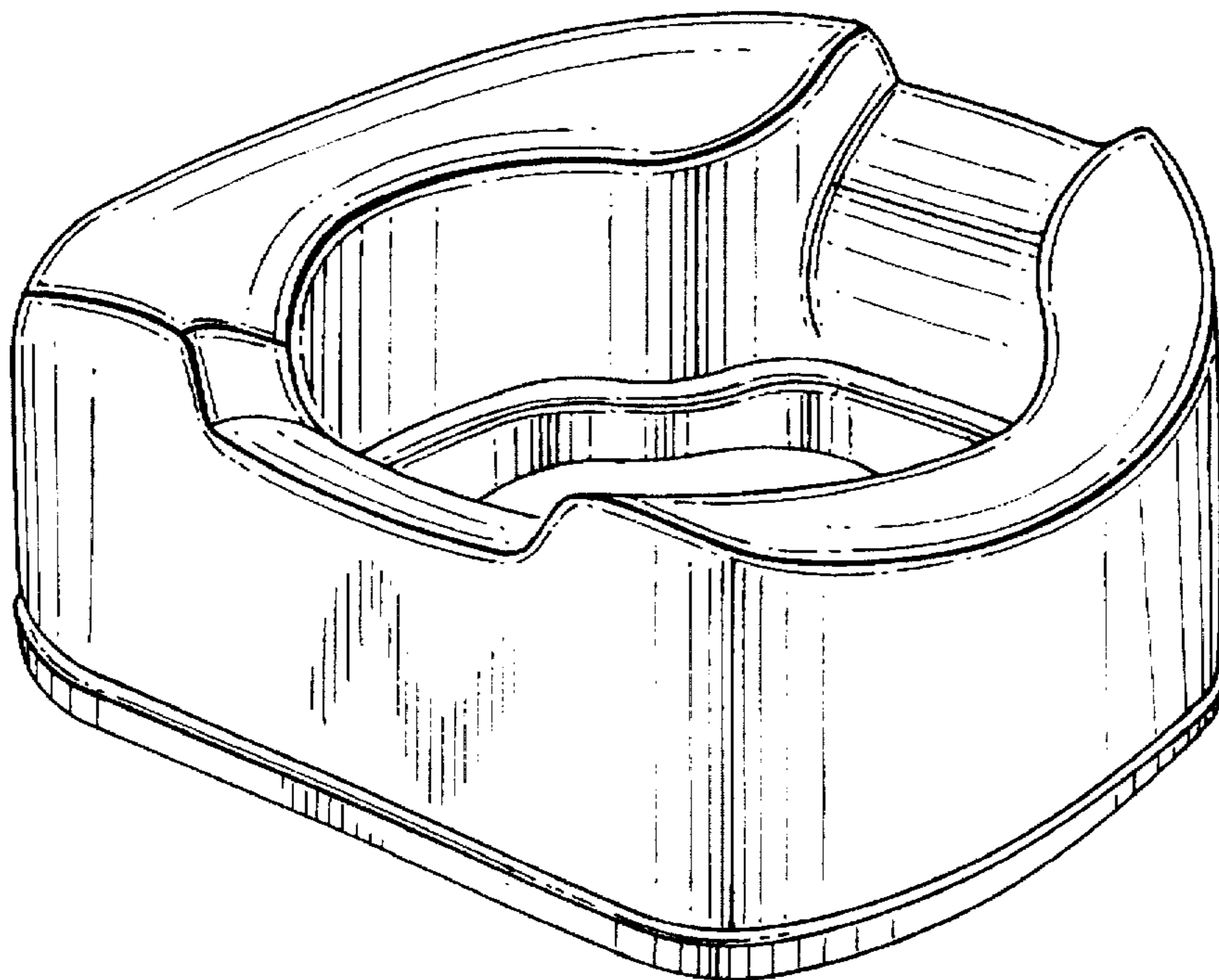
D. 190,408	5/1961	Finlof .....	D23/311
D. 237,887	12/1975	Landsberger .....	D23/311
D. 242,457	11/1976	Landsberger .....	D23/311
D. 262,990	2/1982	Rodger .....	D23/311
D. 281,997	12/1985	DiVito .....	D23/311
D. 282,964	3/1986	Bepristis .....	D23/311
D. 287,533	12/1986	Broeils .....	D23/311
D. 307,048	4/1990	Spiegel .....	D23/311
3,364,505	1/1968	Palmier .....	4/239
3,671,981	6/1972	Smith .....	4/239
4,213,211	7/1980	Bemis et al. ....	4/235

**1 Claim, 4 Drawing Sheets**

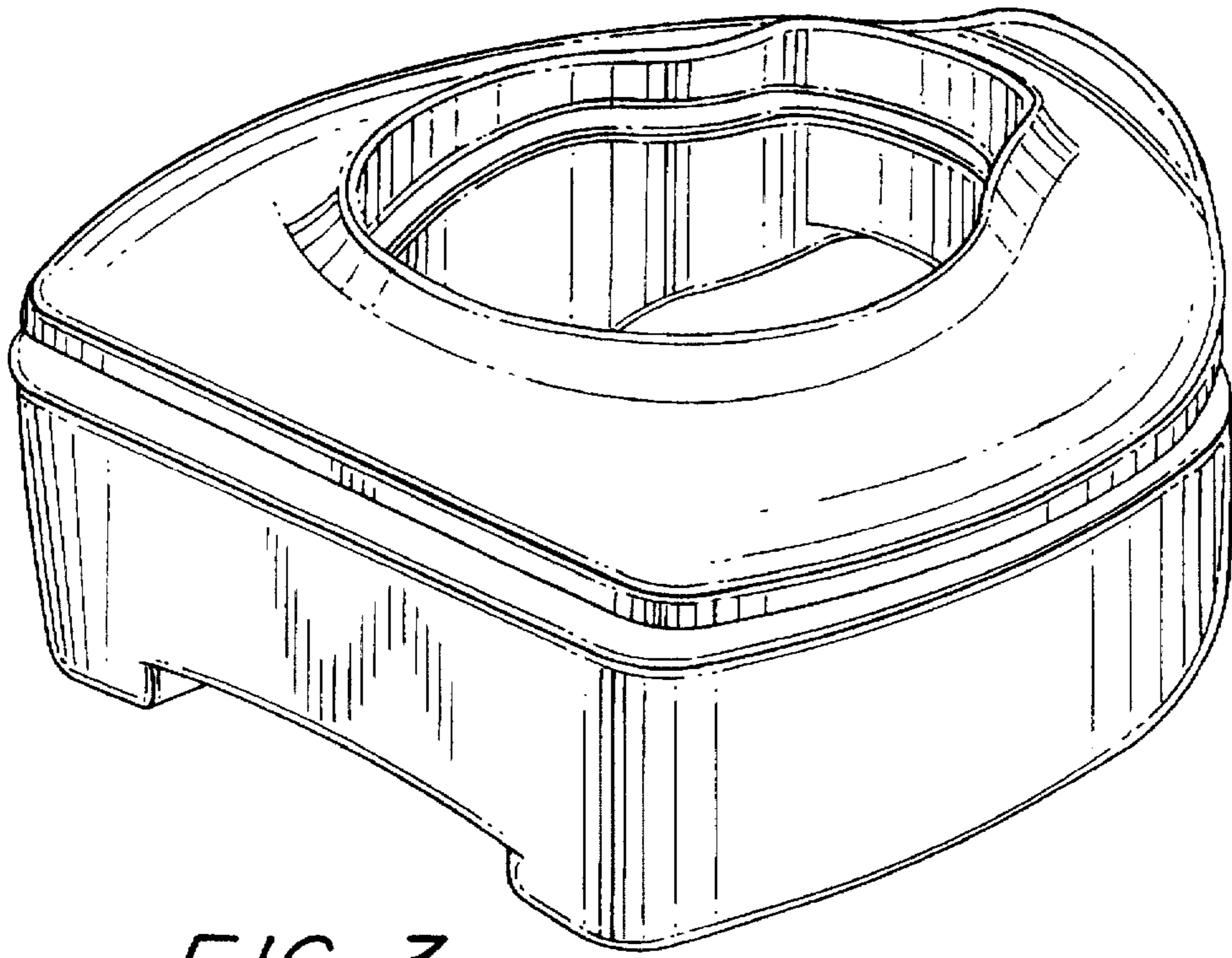




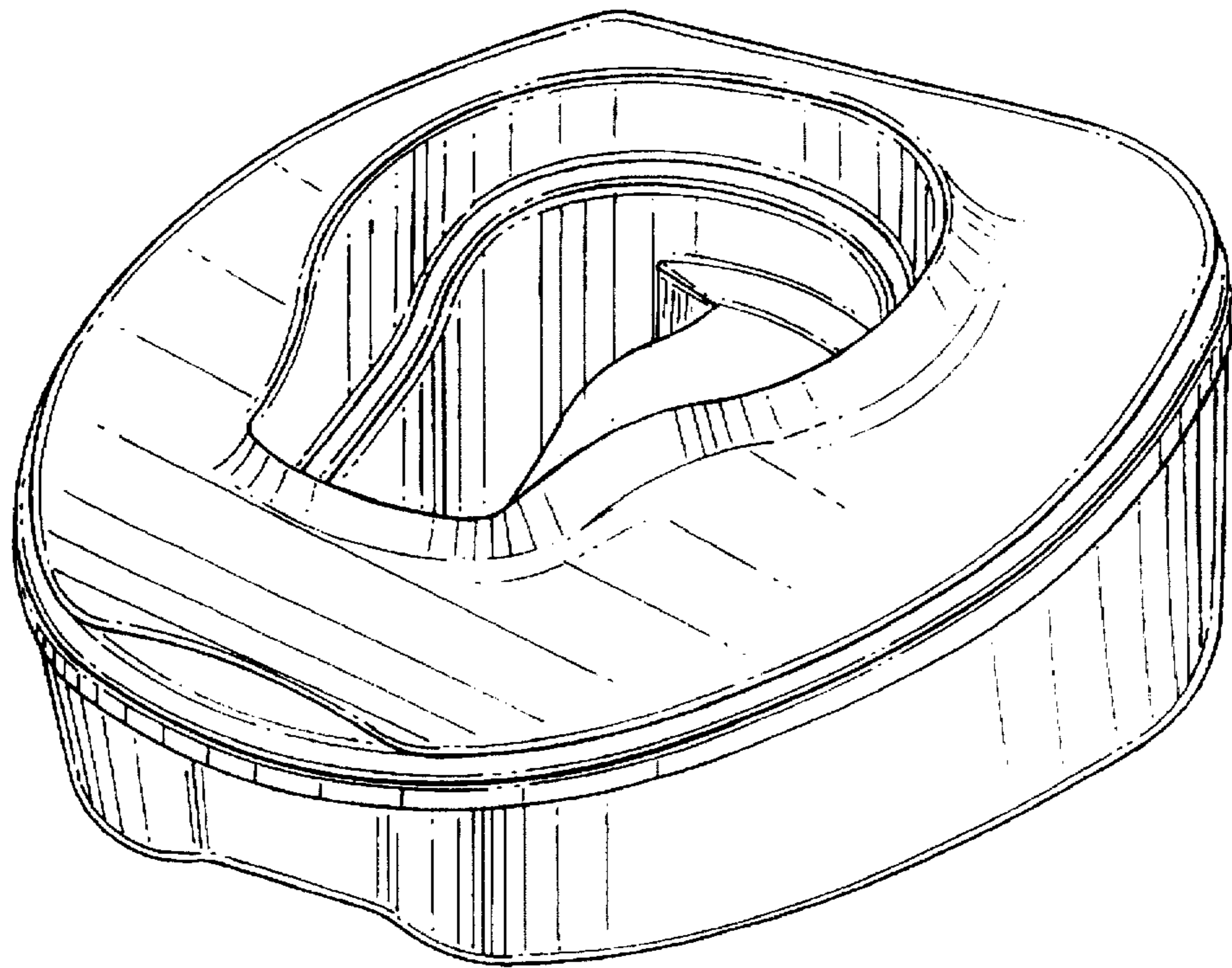
*FIG. 1*



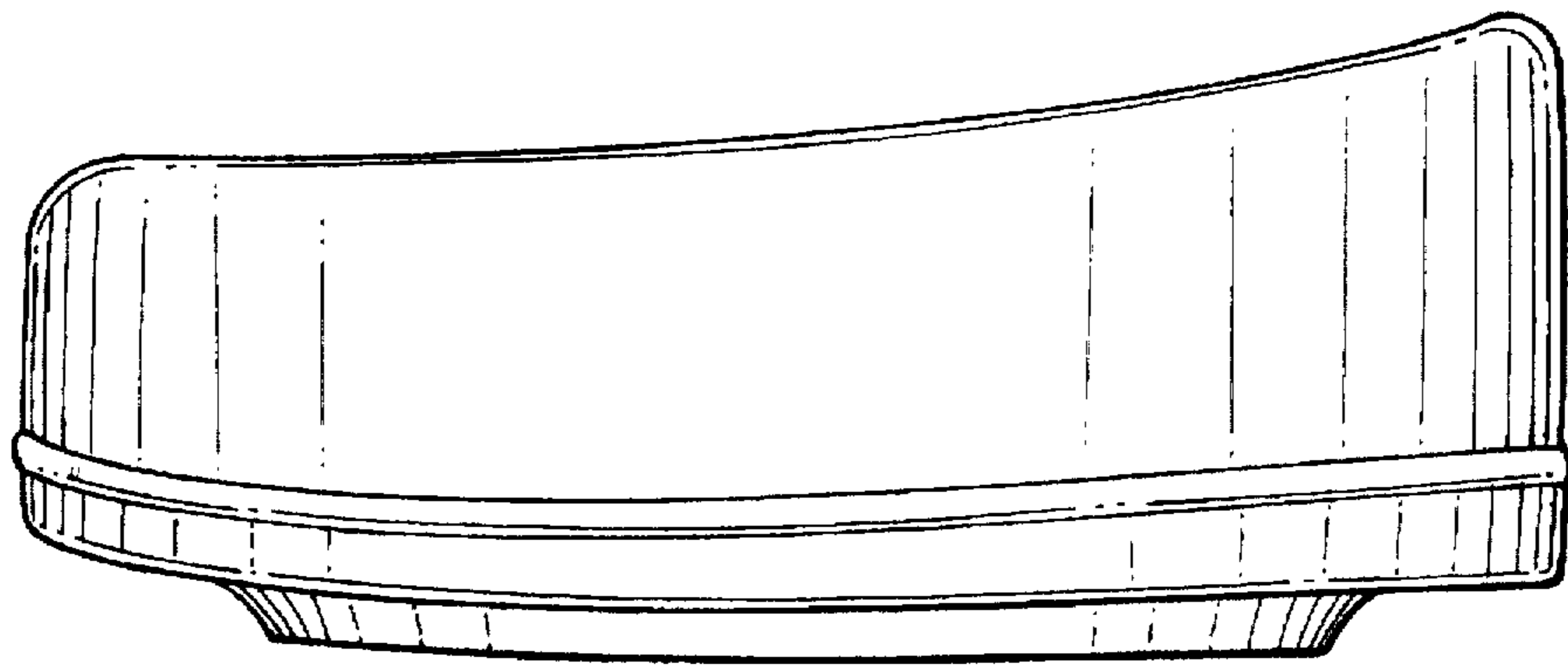
*FIG. 2*



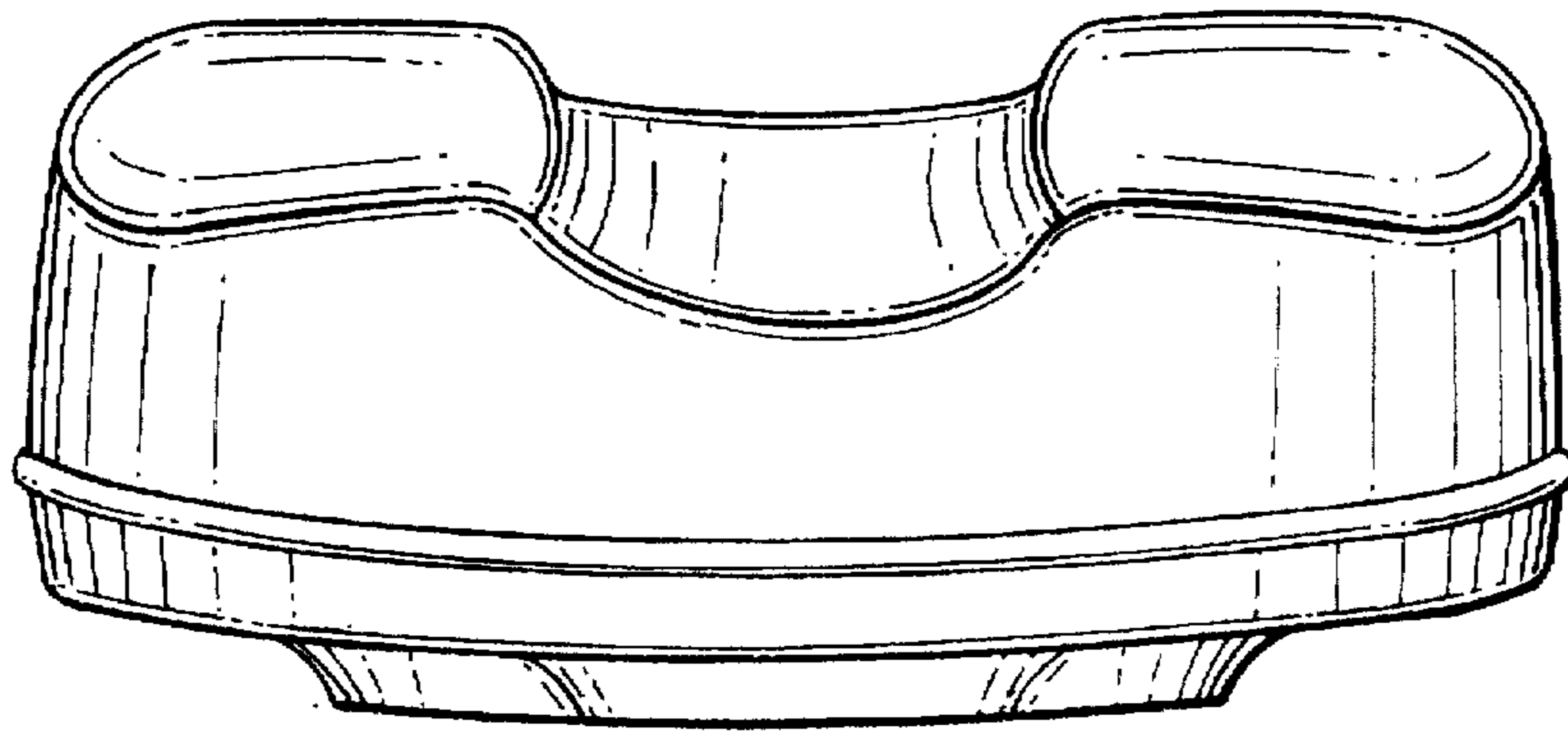
*FIG. 3*



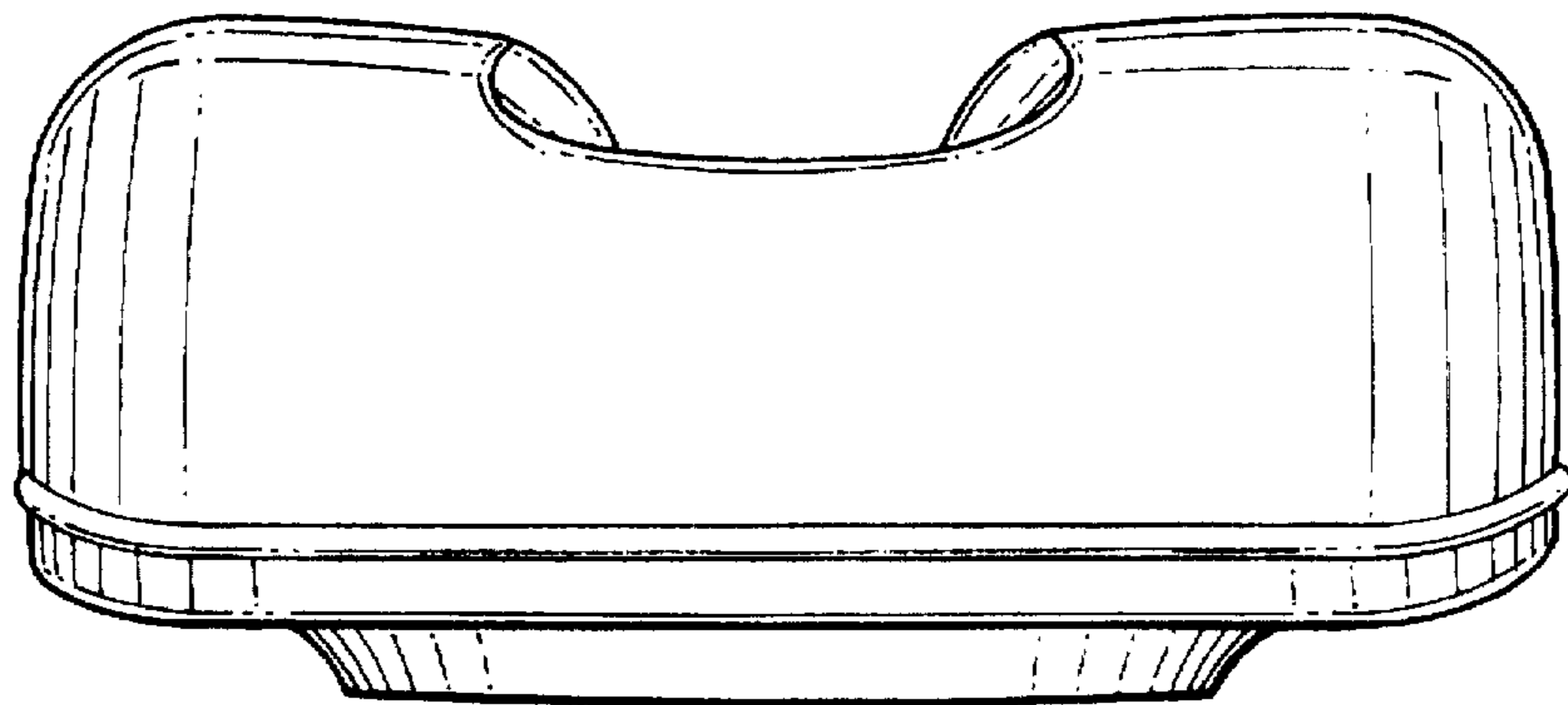
*FIG. 4*



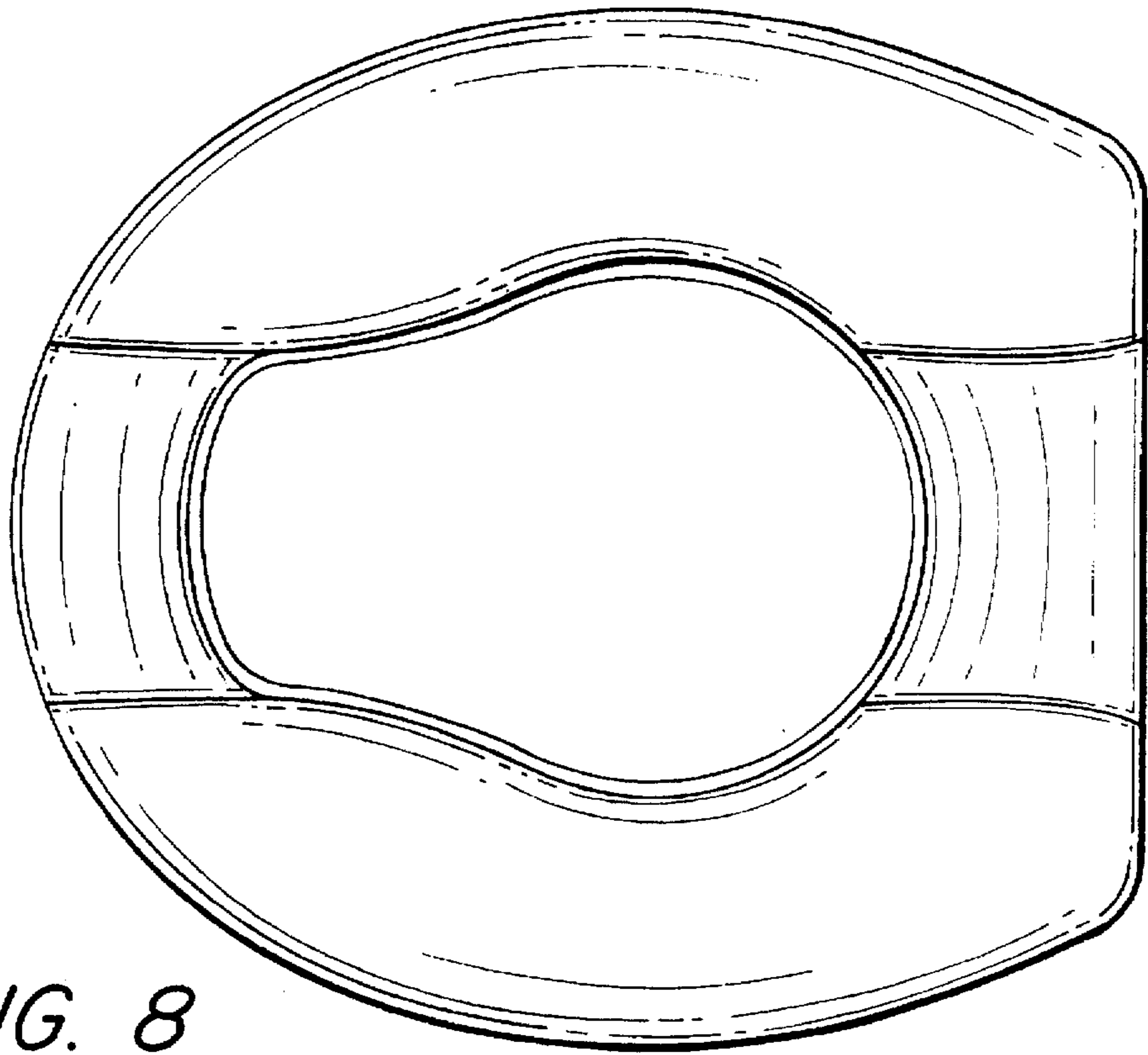
*FIG. 5*



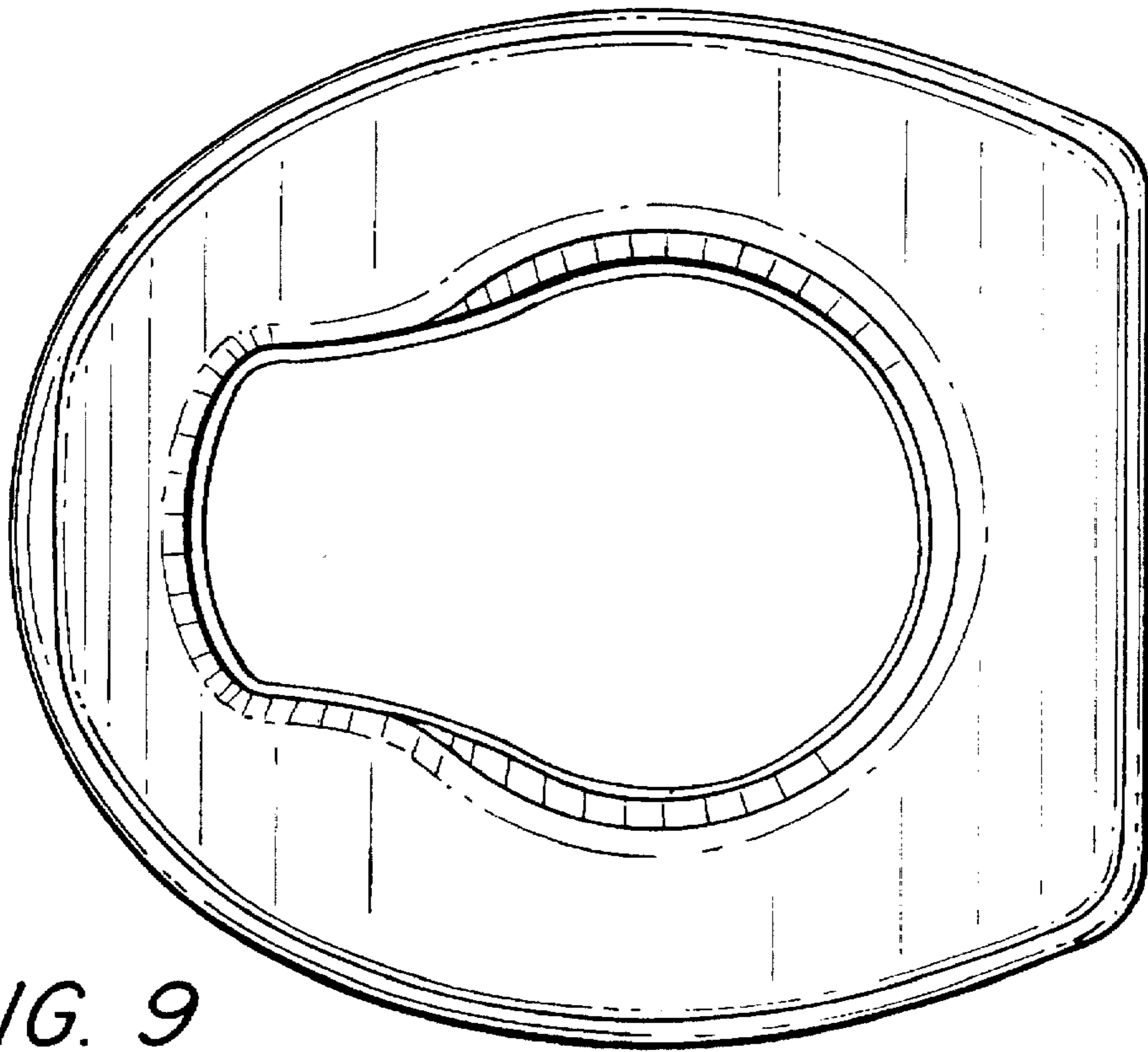
*FIG. 6*



*FIG. 7*



*FIG. 8*



*FIG. 9*