



US00D390930S

United States Patent [19] Slothower

[11] Patent Number: **Des. 390,930**
[45] Date of Patent: ****Feb. 17, 1998**

[54] **WATER CLOSET**

[75] Inventor: **Erich D. Slothower**, Sheboygan, Wis.

[73] Assignee: **Sterling Plumbing Group, Inc.**,
Rolling Meadows, Ill.

[**] Term: **14 Years**

[21] Appl. No.: **58,168**

[22] Filed: **Aug. 9, 1996**

[51] LOC (6) Cl. **23-02**

[52] U.S. Cl. **D23/285**

[58] Field of Search **D23/295, 298,**
D23/299, 300, 301; 4/353, 421, 424, 428,
430

[56] **References Cited**

U.S. PATENT DOCUMENTS

D. 320,720	10/1991	Koiser	D23/301
D. 323,381	1/1992	McKeone et al.	D23/313
D. 323,551	1/1992	Fait	D23/301
D. 323,880	2/1992	McKeone et al.	D23/295
D. 326,904	6/1992	Waldren	D23/301
D. 353,450	12/1994	Duderson et al.	D23/301

OTHER PUBLICATIONS

Undated Universal-Rundle ad showing "Nostalgia"
two-piece toilet, admitted prior art.
1930 Speakman ad showing FIG. 954 water closet.

Primary Examiner—Louis S. Zarfes
Assistant Examiner—Eric Watterson
Attorney, Agent, or Firm—Quarles & Brady

[57] **CLAIM**

The ornamental design for a water closet, as shown and described.

DESCRIPTION

FIG. 1 is a right, top, front perspective view of a water closet embodying my new design;

FIG. 2 is a front elevational view thereof;

FIG. 3 is a top plan view thereof;

FIG. 4 is a left side elevational view thereof, the right side elevational view being a mirror image of the left side shown;

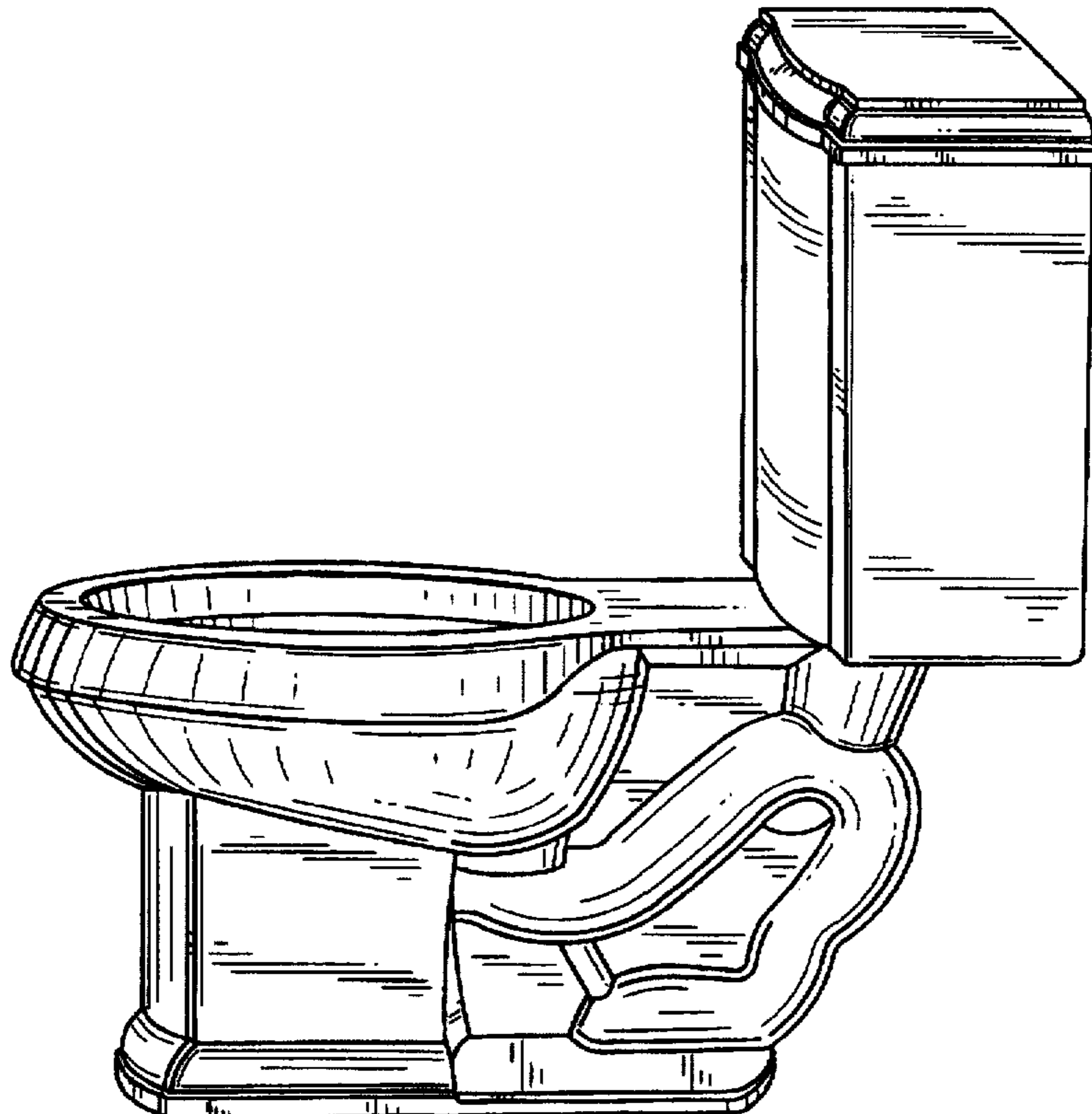
FIG. 5 is a rear elevational view thereof;

FIG. 6 is a bottom plan view thereof; and,

FIG. 7 is a cross-sectional view taken along line 7—7 of FIG. 3.

The broken line representations of holes in FIGS. 2, 3, and 6 are for purposes of illustration only, and form no part of the claimed design.

1 Claim, 4 Drawing Sheets



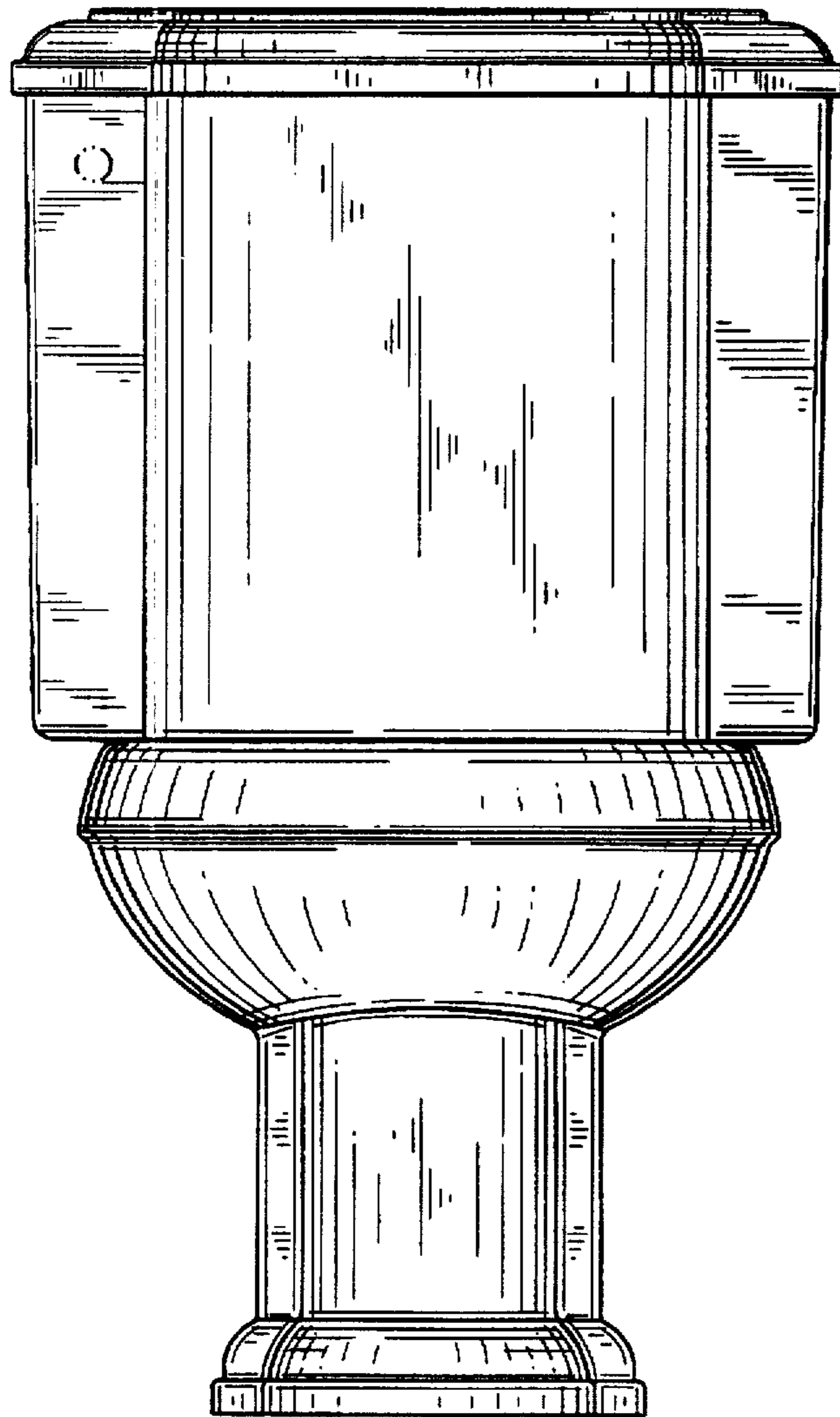


FIG. 2

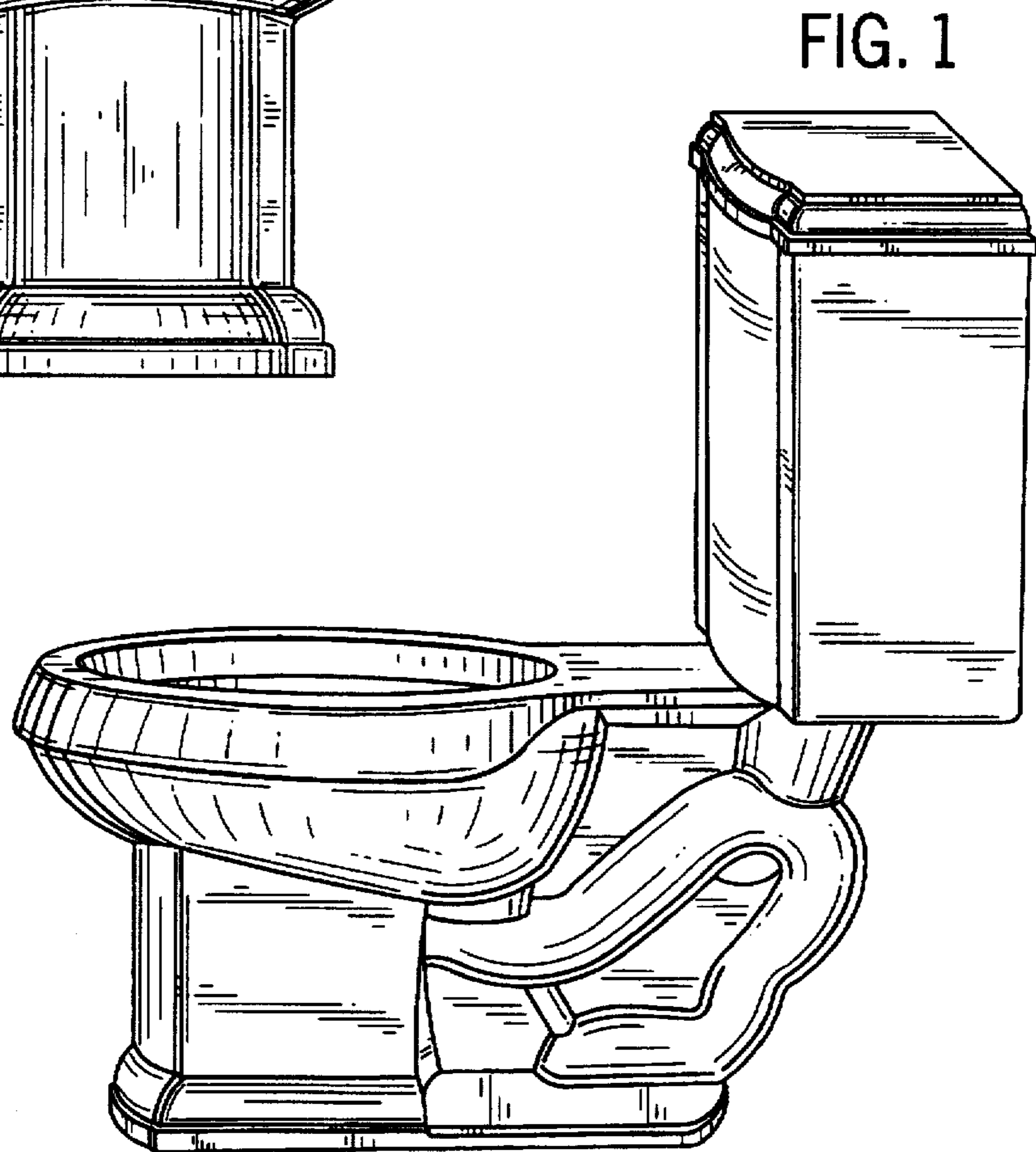


FIG. 1

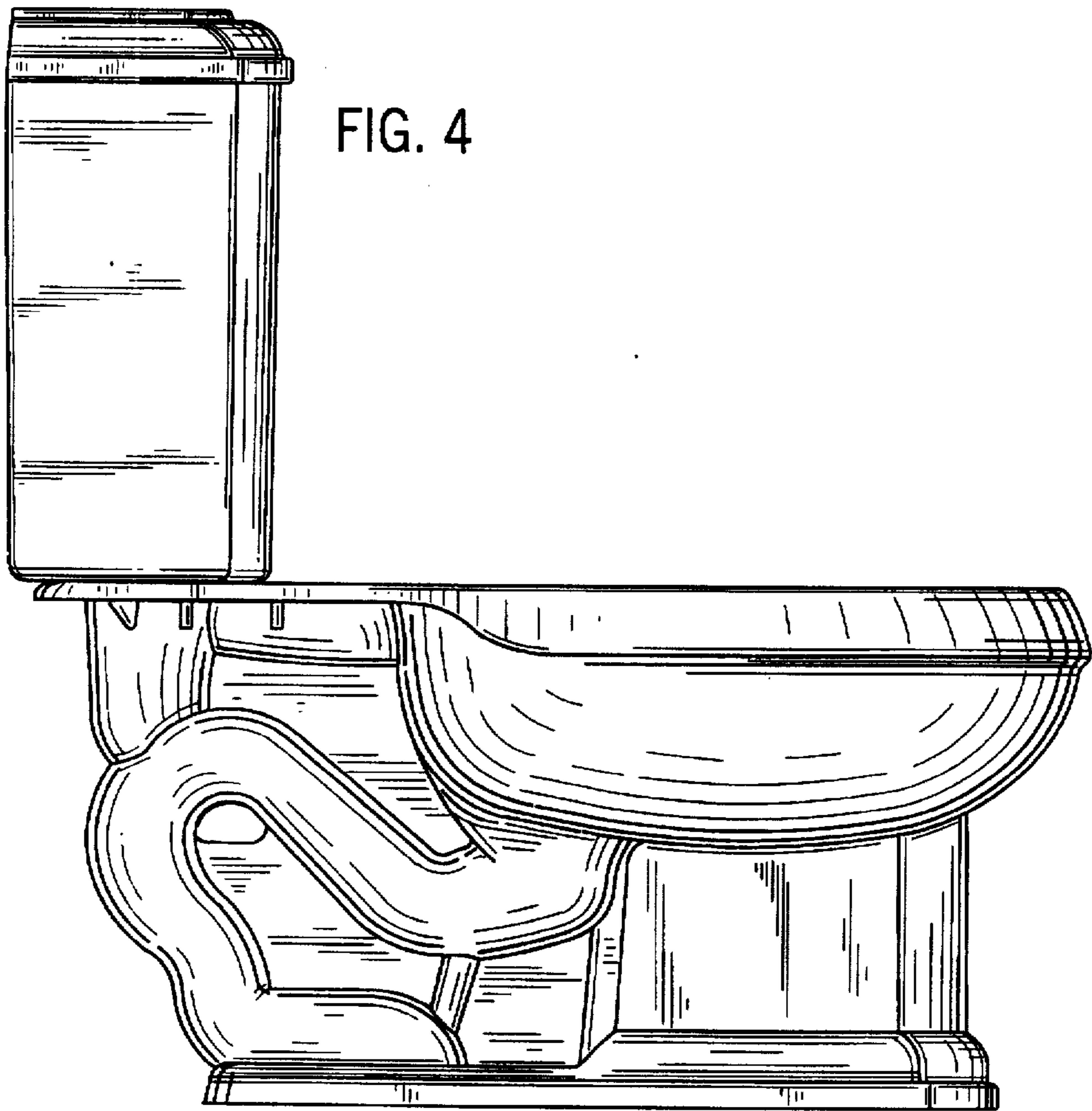
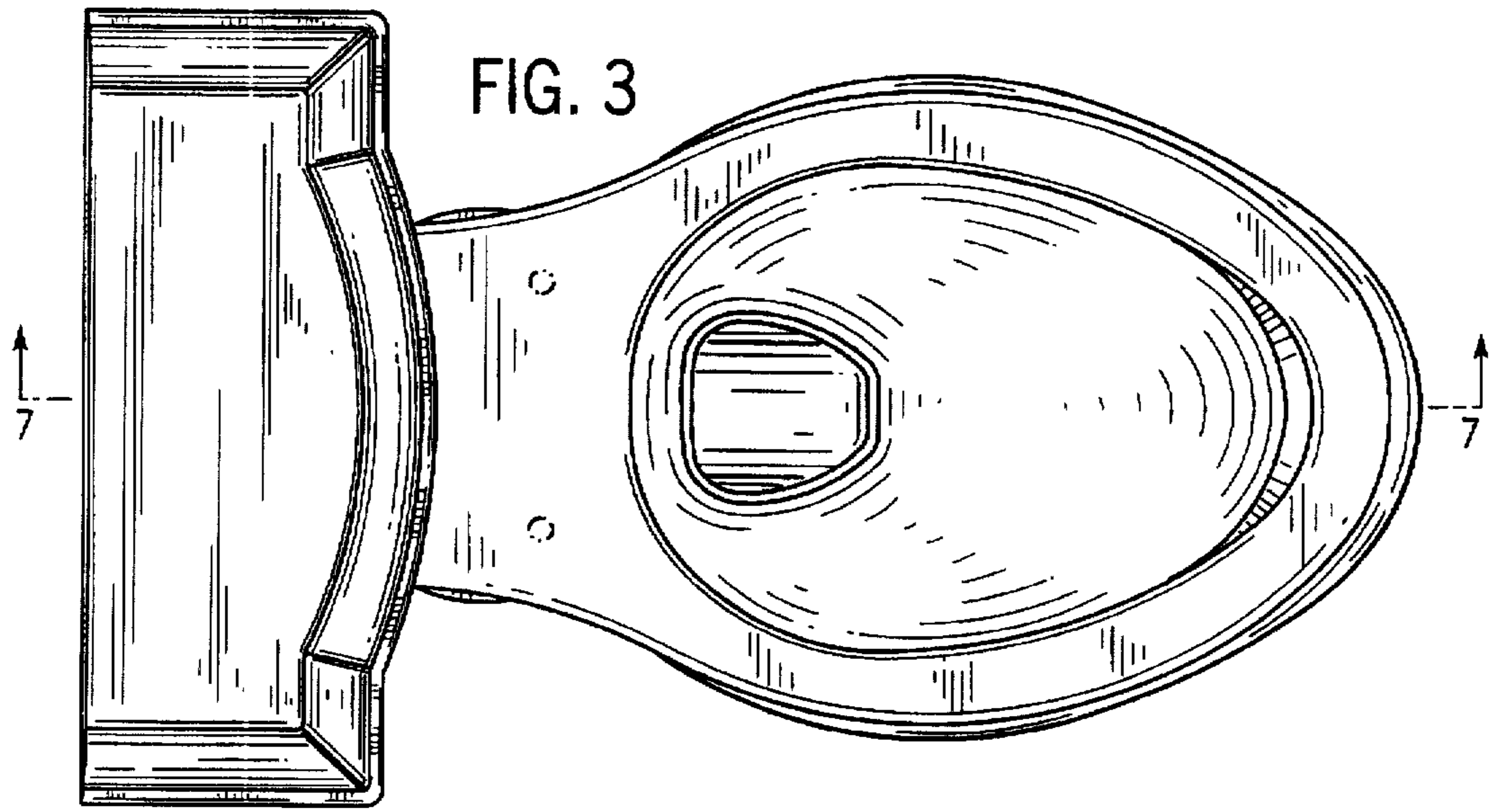


FIG. 5

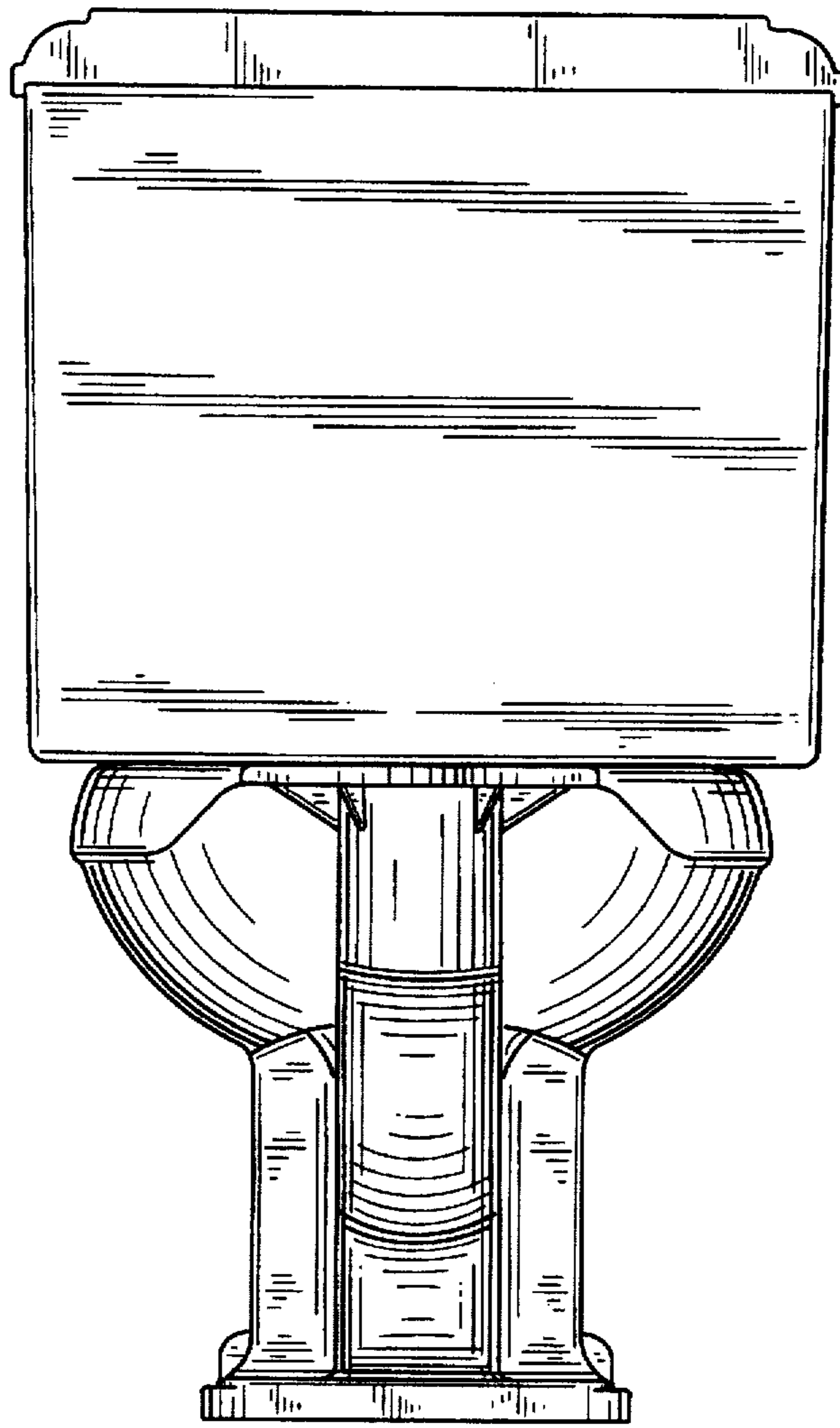


FIG. 6

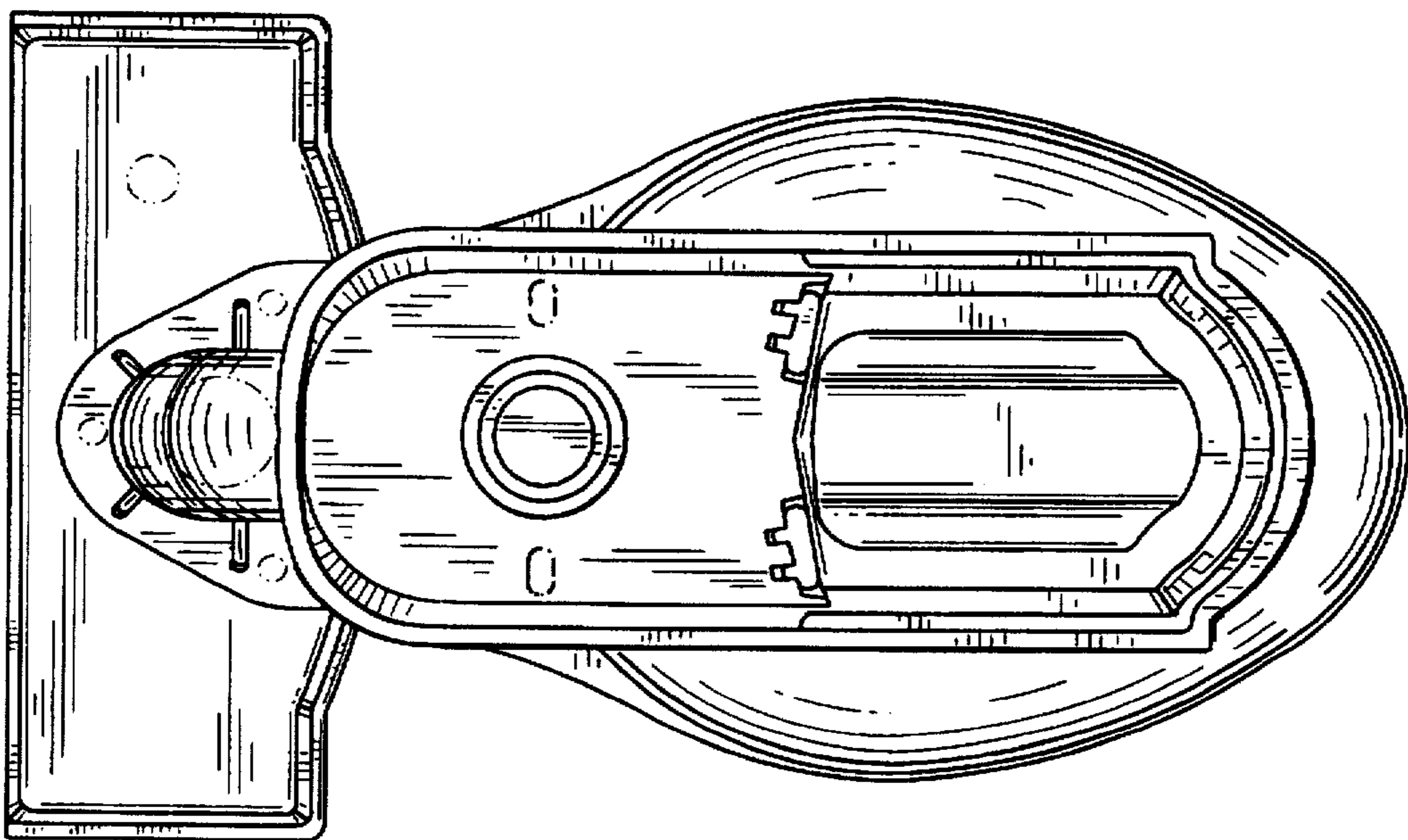
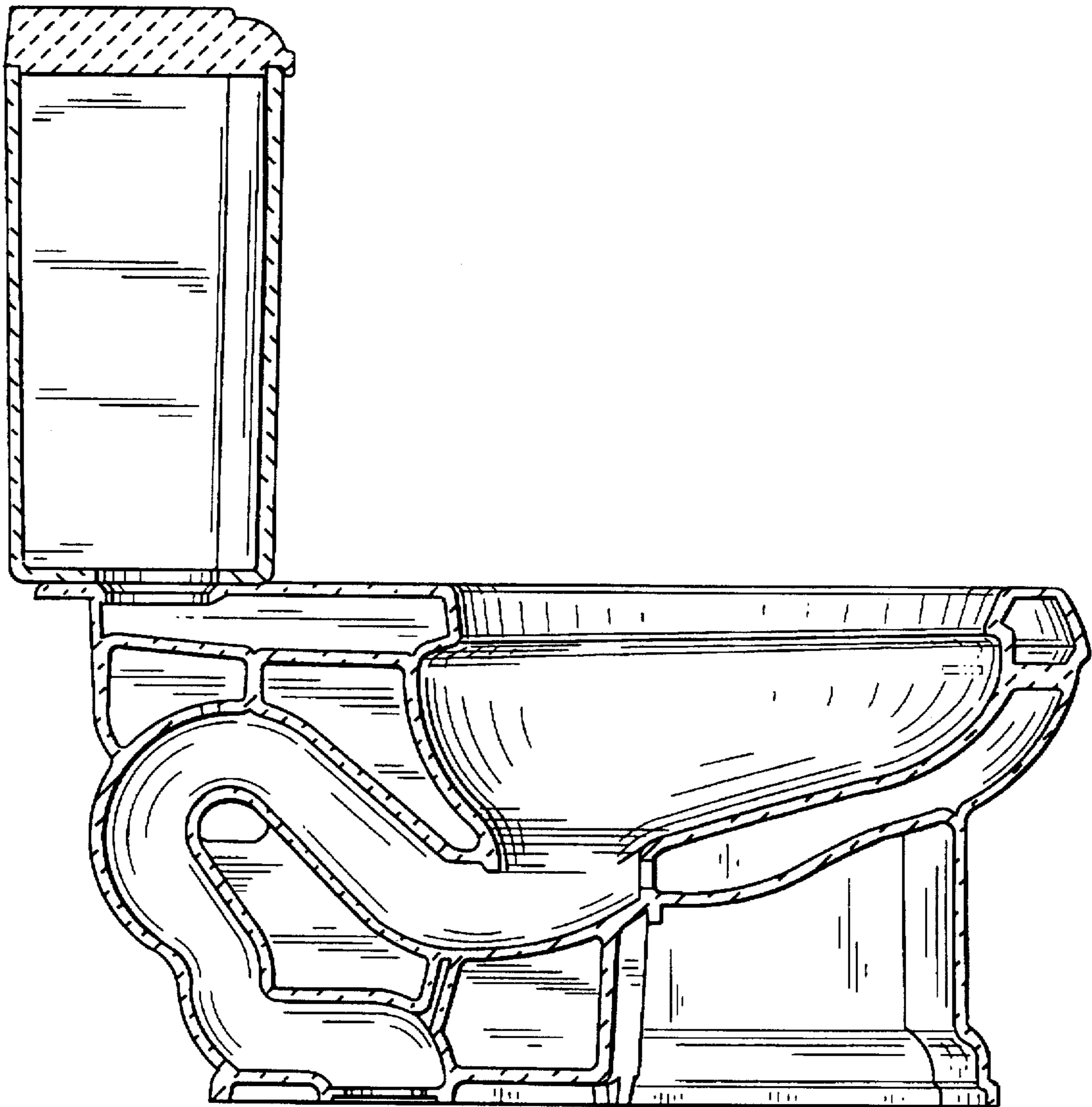


FIG. 7



UNITED STATES PATENT AND TRADEMARK OFFICE
CERTIFICATE OF CORRECTION

PATENT NO. : D390,930
DATED : February 17, 1998
INVENTOR(S) : Erich D. Slothower

It is certified that error appears in the above-identified patent and that said Letters Patent is hereby corrected as shown below:

On the title page: Item [56]
References Cited

U.S. PATENT DOCUMENTS

"D320,720 10/1991 Koiser" should read --D370,720
6/1996 Kaiser--

"Duderson et al." should read --Anderson et al.--

Signed and Sealed this
Tenth Day of November 1998

Attest:



BRUCE LEHMAN

Attesting Officer

Commissioner of Patents and Trademarks