



US00D390929S

United States Patent [19]

[11] Patent Number: **Des. 390,929**

Reid et al.

[45] Date of Patent: ****Feb. 17, 1998**

[54] **LAVATORY**

[75] Inventors: **Mary J. Reid, Sheboygan; Carter J. Thomas, Port Washington, both of Wis.**

[73] Assignee: **Kohler Co., Kohler, Wis.**

[**] Term: **14 Years**

[21] Appl. No.: **44,883**

[22] Filed: **Oct. 2, 1995**

[51] **LOC (6) Cl. 23-02**

[52] **U.S. Cl. D23/293.1**

[58] **Field of Search D23/270-274, D23/284-294, 308; 4/619, 625, 635-650**

[56] **References Cited**

U.S. PATENT DOCUMENTS

D. 186,301	10/1959	Hurwitz	D23/285
D. 232,638	9/1974	Mather	D23/284
D. 288,352	2/1987	Smith	D23/285
D. 319,682	9/1991	Sharp et al.	D23/285 X
D. 320,066	9/1991	Dannenberg	D23/284

OTHER PUBLICATIONS

Jun. 1995 Kohler catalog ad, pp. 13-19, showing a "Farmington" countertop, admitted prior art.

May 1992 Kohler catalog ad, pp. 15-10a, showing a "River Falls" utility sink.

Undated Sherle-Wagner catalog ad, p. 91, showing oval basin, admitted prior art.

1986 Kohler catalog ad, p. 8-3b, showing a "Chardonnay" pedestal lavatory.

Primary Examiner—Louis S. Zarfaz
Assistant Examiner—Eric Watterson
Attorney, Agent, or Firm—Quarles & Brady

[57] **CLAIM**

The ornamental design for a lavatory, as shown and described.

DESCRIPTION

FIG. 1 is a right, top, front perspective view of a lavatory embodying our new design;

FIG. 2 is a top plan view thereof;

FIG. 3 is a bottom plan view thereof;

FIG. 4 is a cross-sectional view taken along line 4-4 of FIG. 2;

FIG. 5 is a cross-sectional view taken along line 5-5 of FIG. 2;

FIG. 6 is a front elevational view thereof;

FIG. 7 is a rear elevational view thereof; and,

FIG. 8 is a right side elevational view thereof, the left side elevational view being a mirror image of the right side shown.

The broken line representations of holes in FIGS. 1 and 2 are for purposes of illustration only, and form no part of the claimed design.

The characteristic feature of our design resides in a series of ribs only partly surrounding the drain area of the lavatory, so as to present an amphitheater-like appearance.

1 Claim, 3 Drawing Sheets

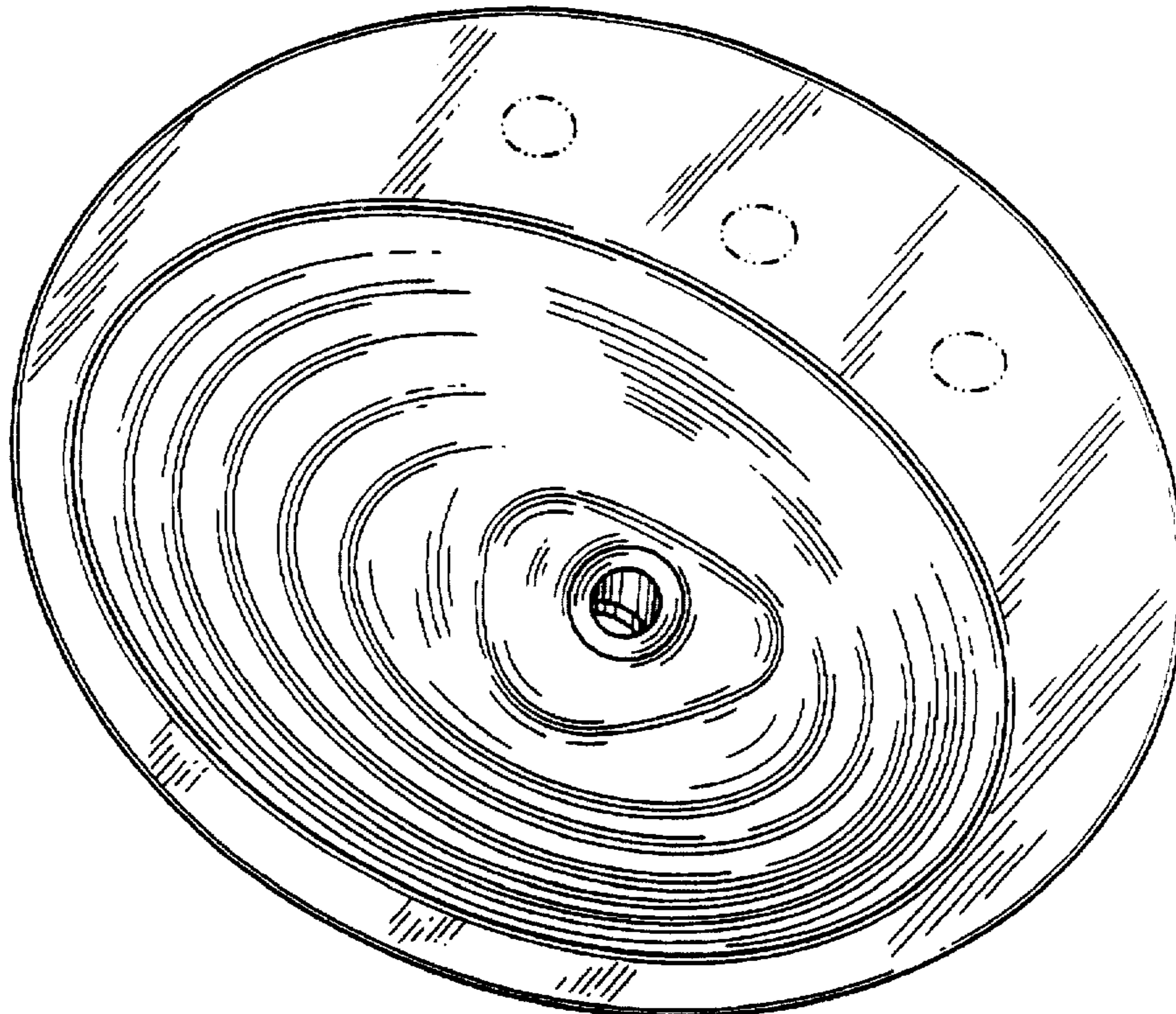


FIG. 1

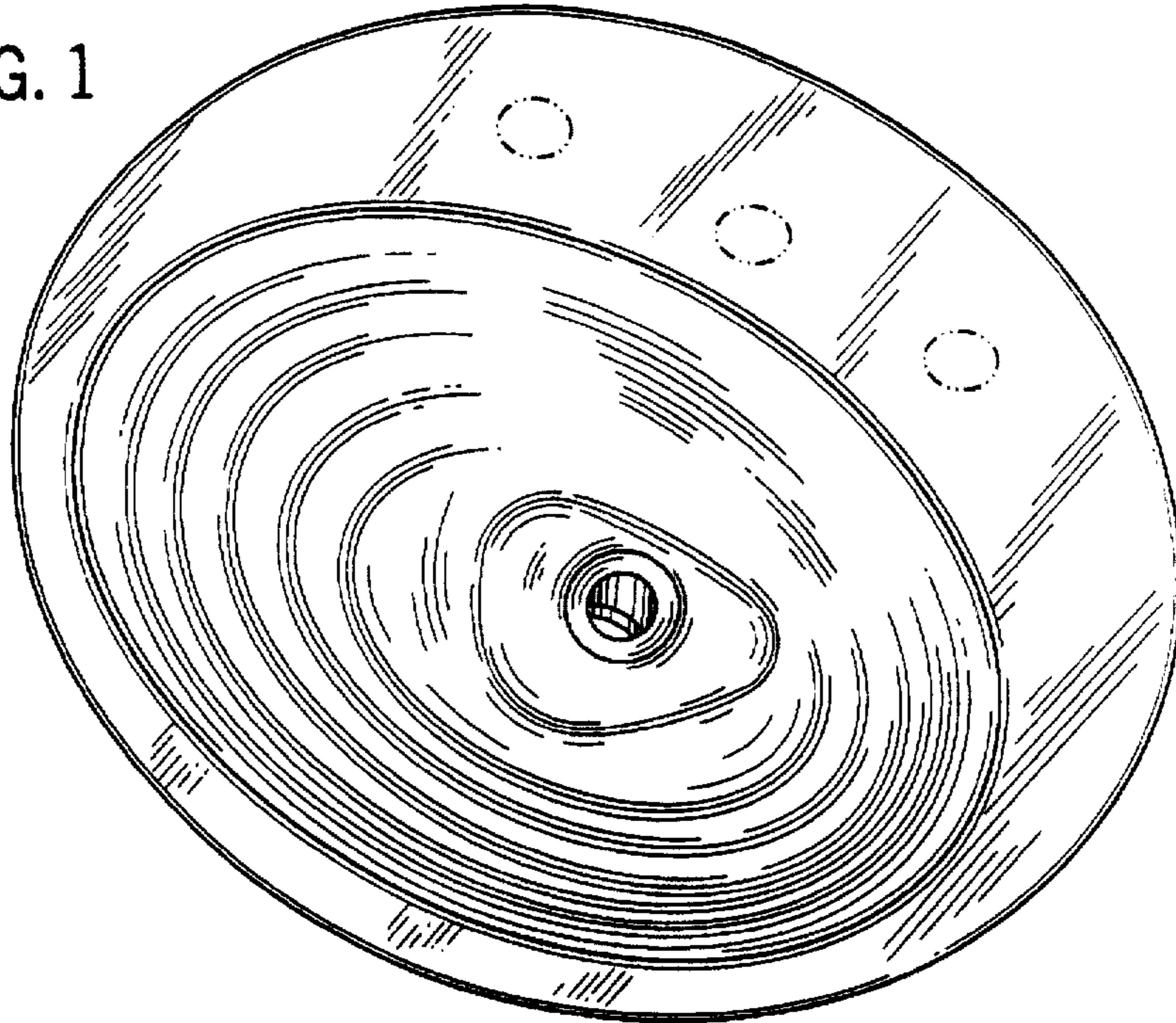


FIG. 4

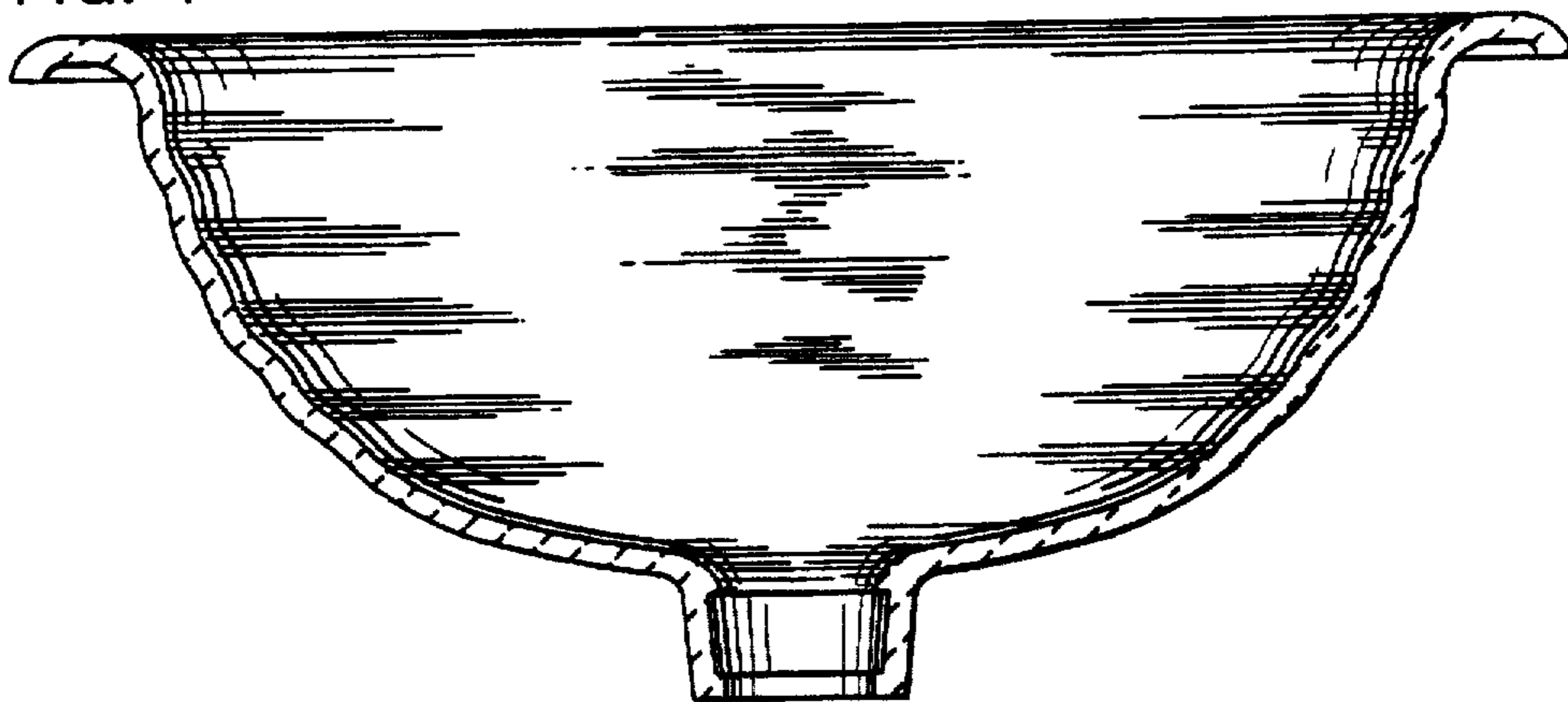
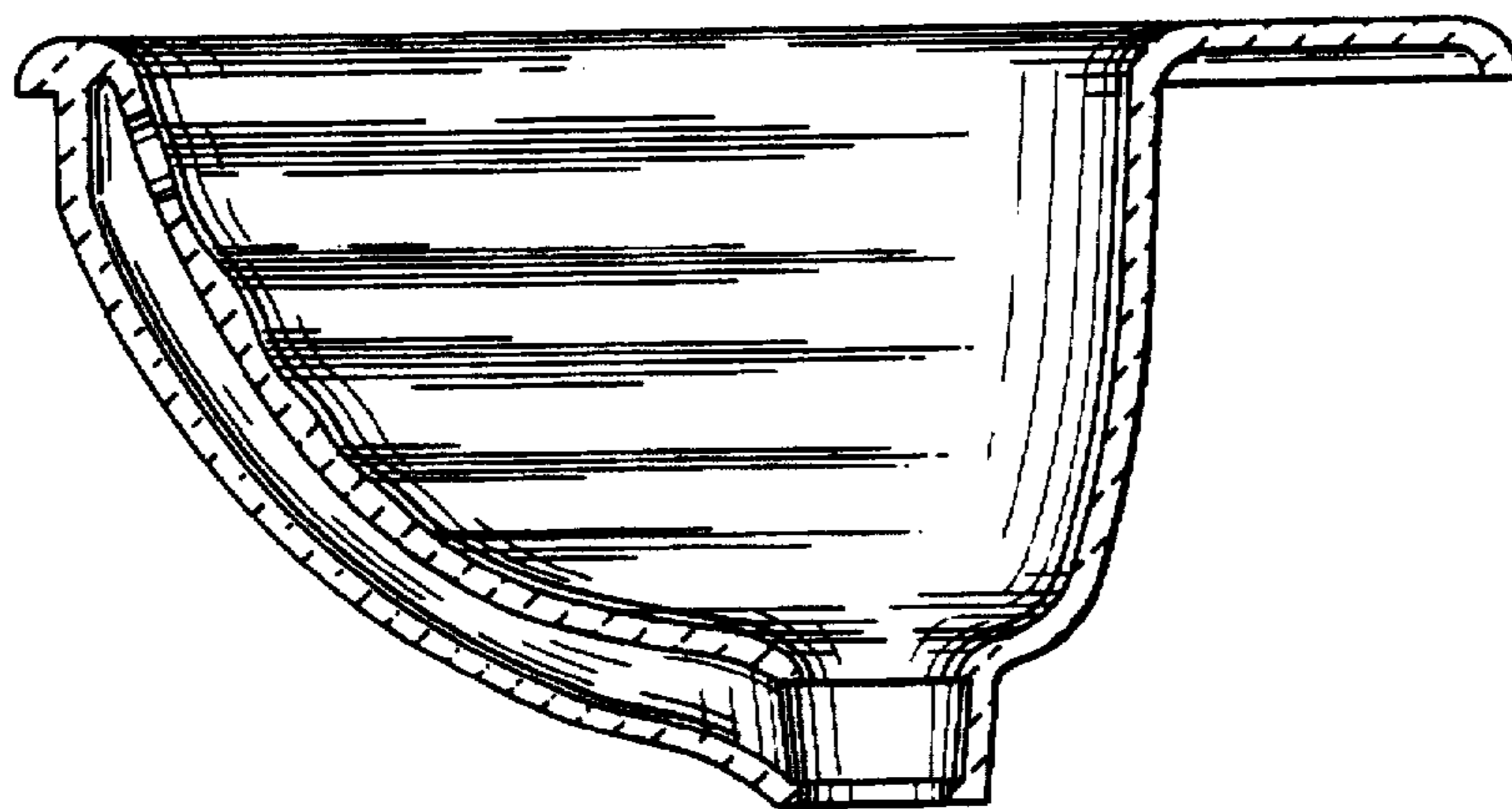


FIG. 5



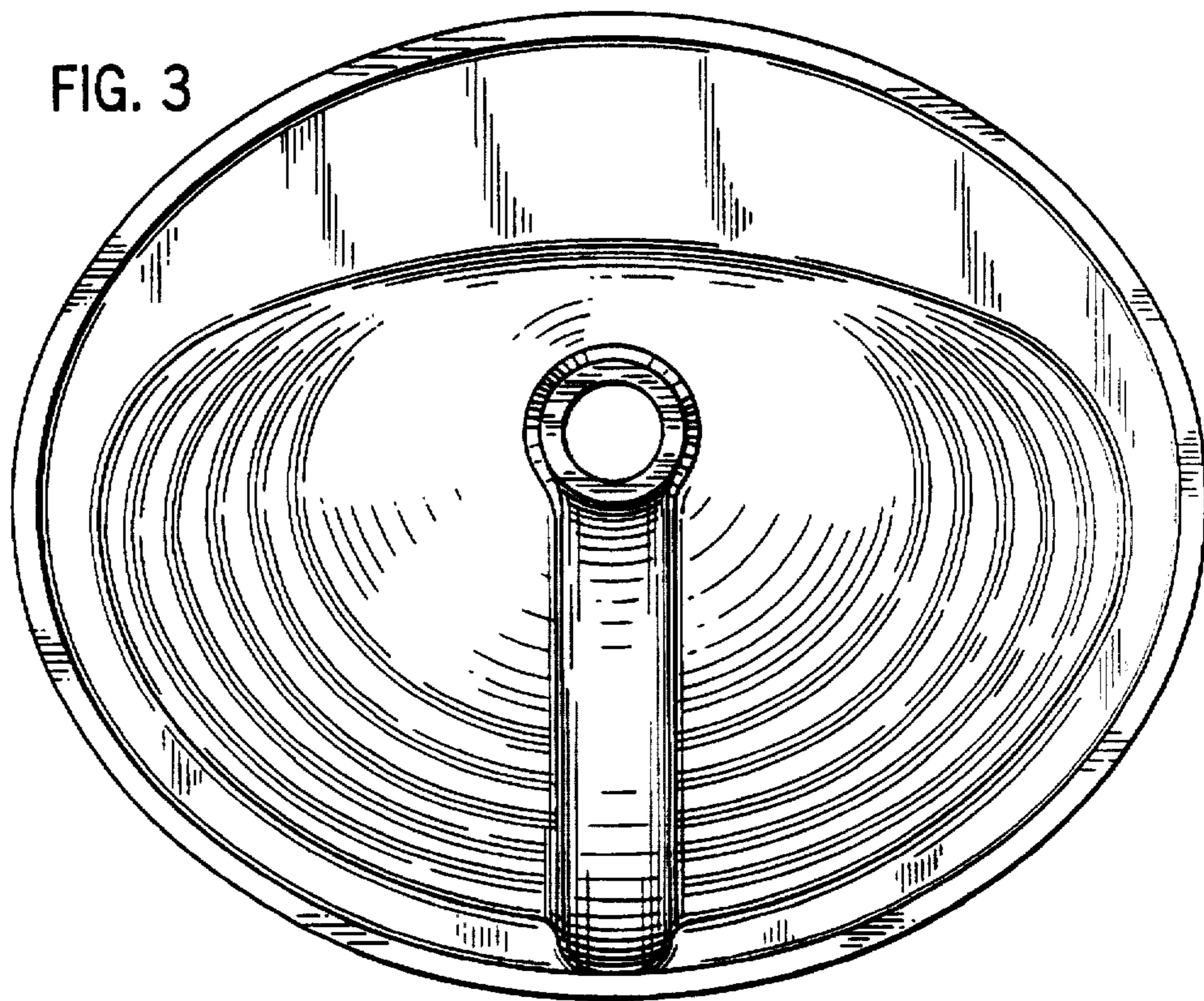
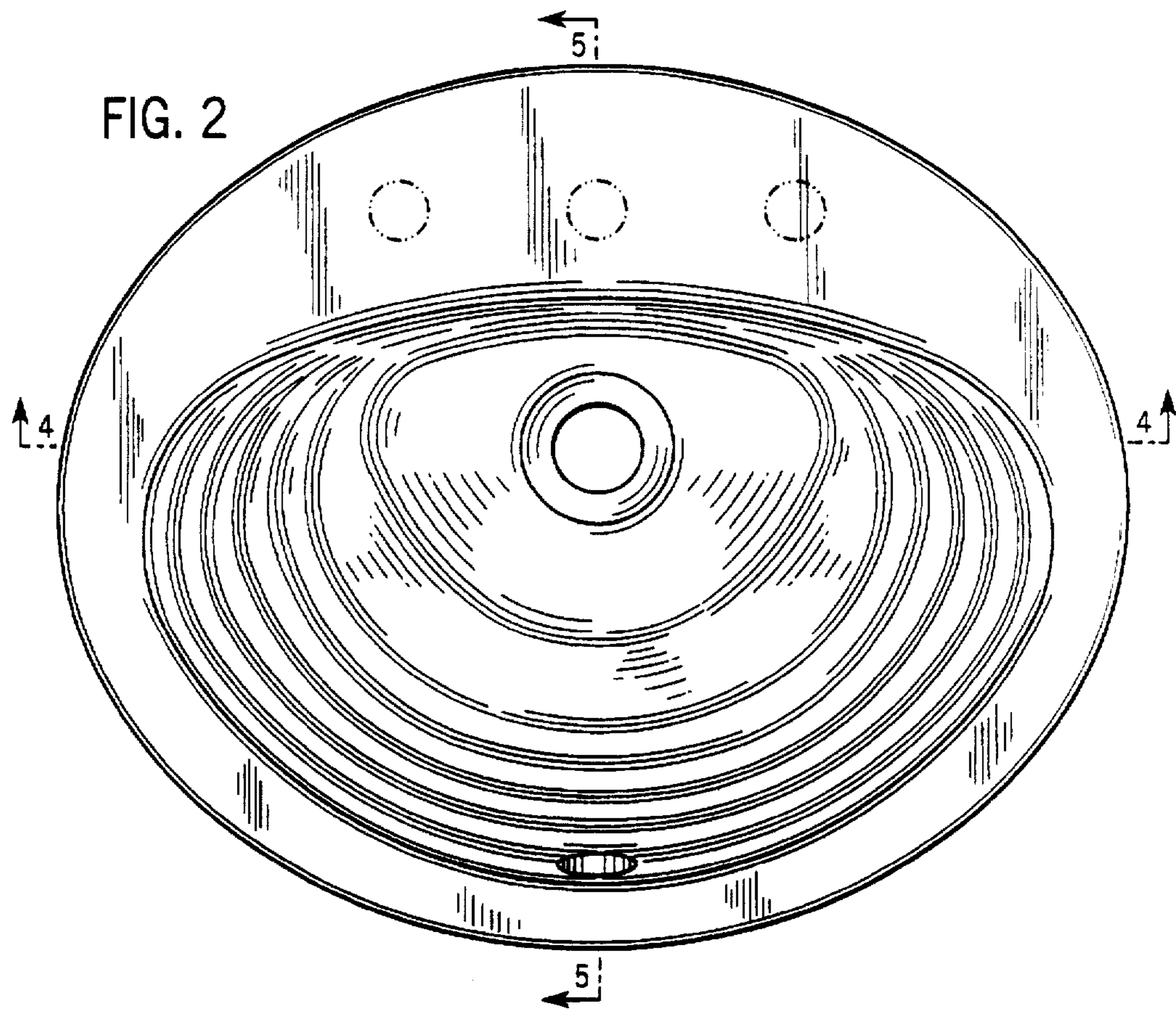


FIG. 6

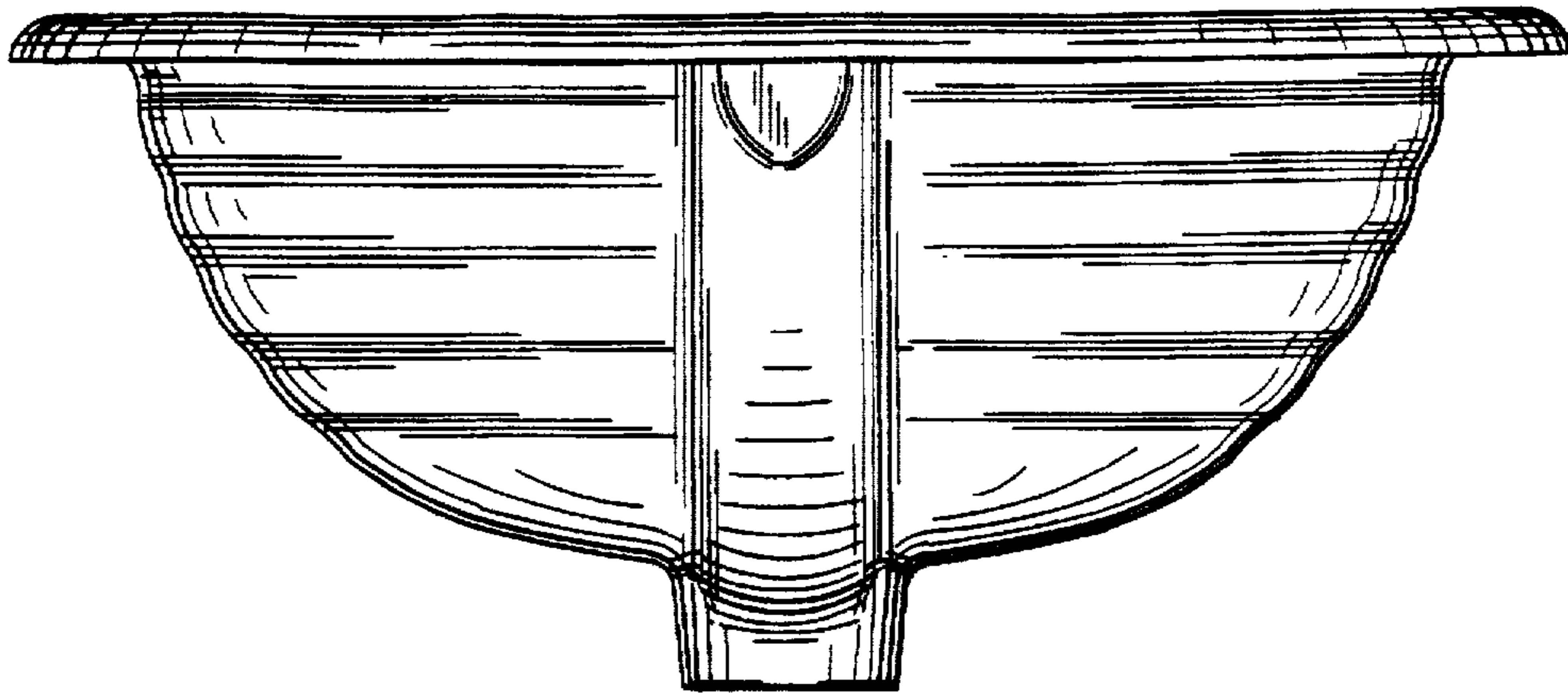


FIG. 7

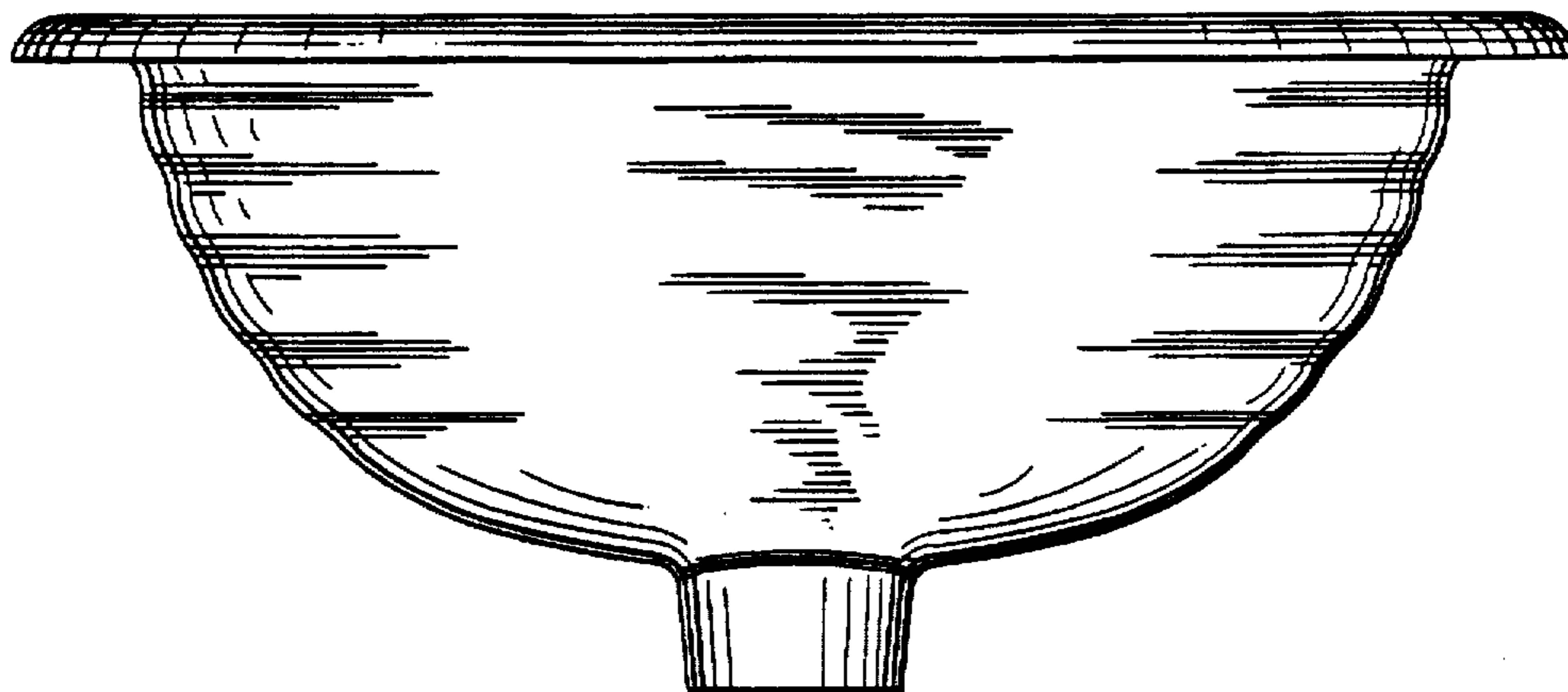


FIG. 8

