



US00D390927S

United States Patent [19]

[11] Patent Number: Des. 390,927

Funk et al.

[45] Date of Patent: **Feb. 17, 1998

[54] PLUMBING ENCLOSURE

[75] Inventors: **David R. Funk; Thomas A. Bonnell; Robert C. Giese**, all of Sheboygan, Wis.

[73] Assignee: **Kohler Co.**, Kohler, Wis.

[**] Term: **14 Years**

[21] Appl. No.: **63,631**

[22] Filed: **Dec. 12, 1996**

[51] LOC (6) Cl. **23-02**

[52] U.S. Cl. **D23/283**

[58] Field of Search D23/277, 278, D23/280.1-280.4, 283; 4/596, 579, 615, 607, 610, 612, 584

[56] References Cited

U.S. PATENT DOCUMENTS

D. 227,102	6/1973	Alexander	D23/283
D. 299,742	2/1989	Reid	D23/283
D. 320,843	10/1991	Spiter et al.	D23/283
D. 347,052	5/1994	Clark et al.	D23/283

OTHER PUBLICATIONS

1993 Kohler ad, p. 9-5, showing a "Freewill" shower.
Undated Owens-Corning ad showing a model "S-48" shower, admitted prior art.

Primary Examiner—Louis S. Zarfaz
Assistant Examiner—Eric Watterson
Attorney, Agent, or Firm—Quarles & Brady

[57] CLAIM

The ornamental design for a plumbing enclosure, as shown and described.

DESCRIPTION

FIG. 1 is a right, top, front perspective view of a plumbing enclosure embodying our new design;
 FIG. 2 is a front elevational view thereof;
 FIG. 3 is a rear elevational view thereof;
 FIG. 4 is a top plan view thereof;
 FIG. 5 is a bottom plan view thereof;
 FIG. 6 is a left side elevational view thereof;
 FIG. 7 is a right side elevational view thereof;
 FIG. 8 is a cross-sectional view taken along line 8—8 of FIG. 4;
 FIG. 9 is a cross-sectional view taken along line 9—9 of FIG. 2;
 FIG. 10 is a cross-sectional view taken along line 10—10 of FIG. 2;
 FIG. 11 is a cross-sectional view taken along line 10—10 of FIG. 2;
 FIG. 12 is a front elevational view of a second embodiment, the top plan view being identical to that shown in FIG. 4, and the other non-sectional views being mirror images of those shown in FIGS. 3 and 5-7; and,
 FIG. 13 is a cross-sectional view thereof, the view being a mirror image of that shown in FIG. 11.

The broken line representations of a seat in FIGS. 1, 2, 8, 10, and 11-13 are for purposes of illustration only, and form no part of the claimed design.

1 Claim, 11 Drawing Sheets

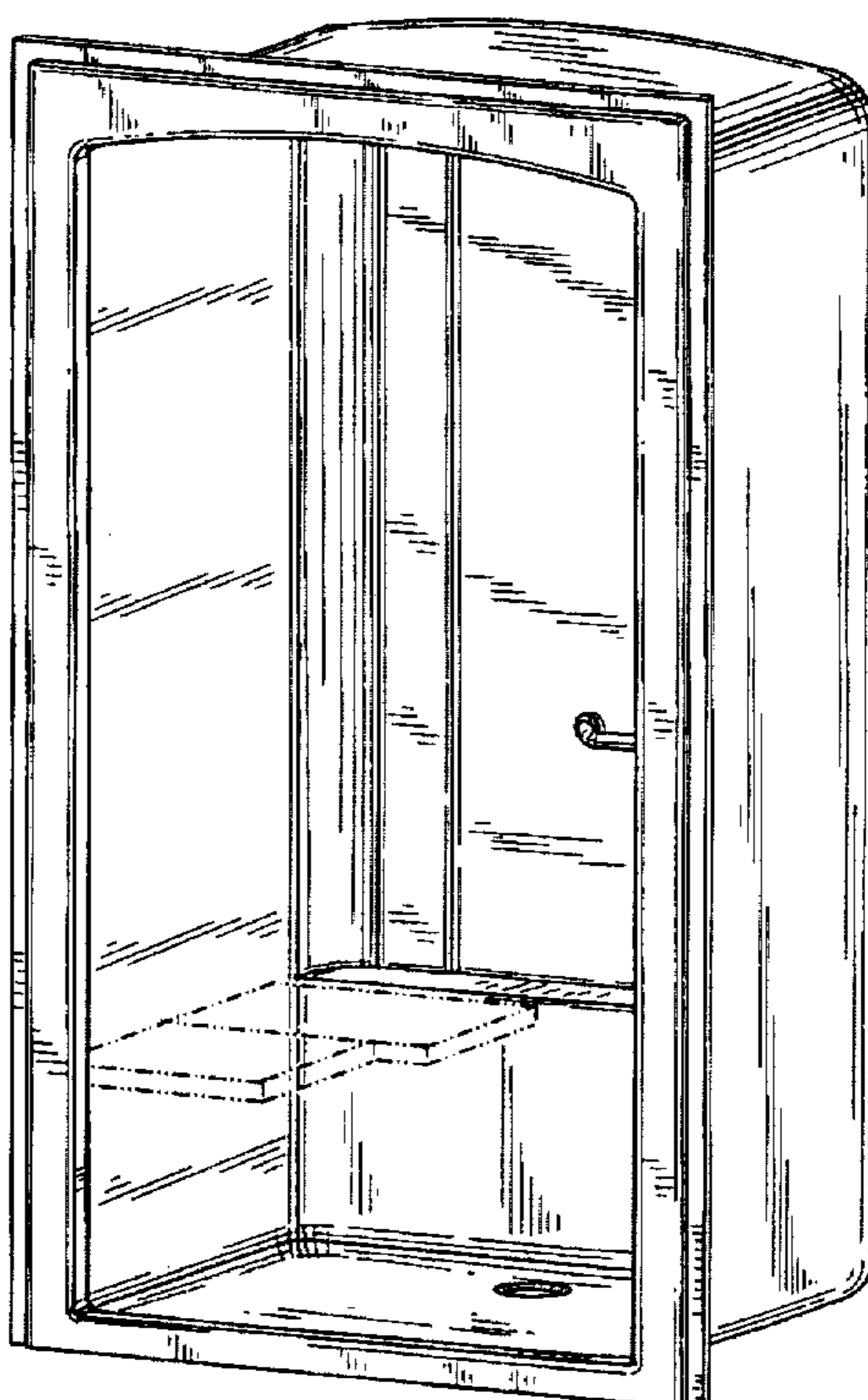


FIG. 1



FIG. 2

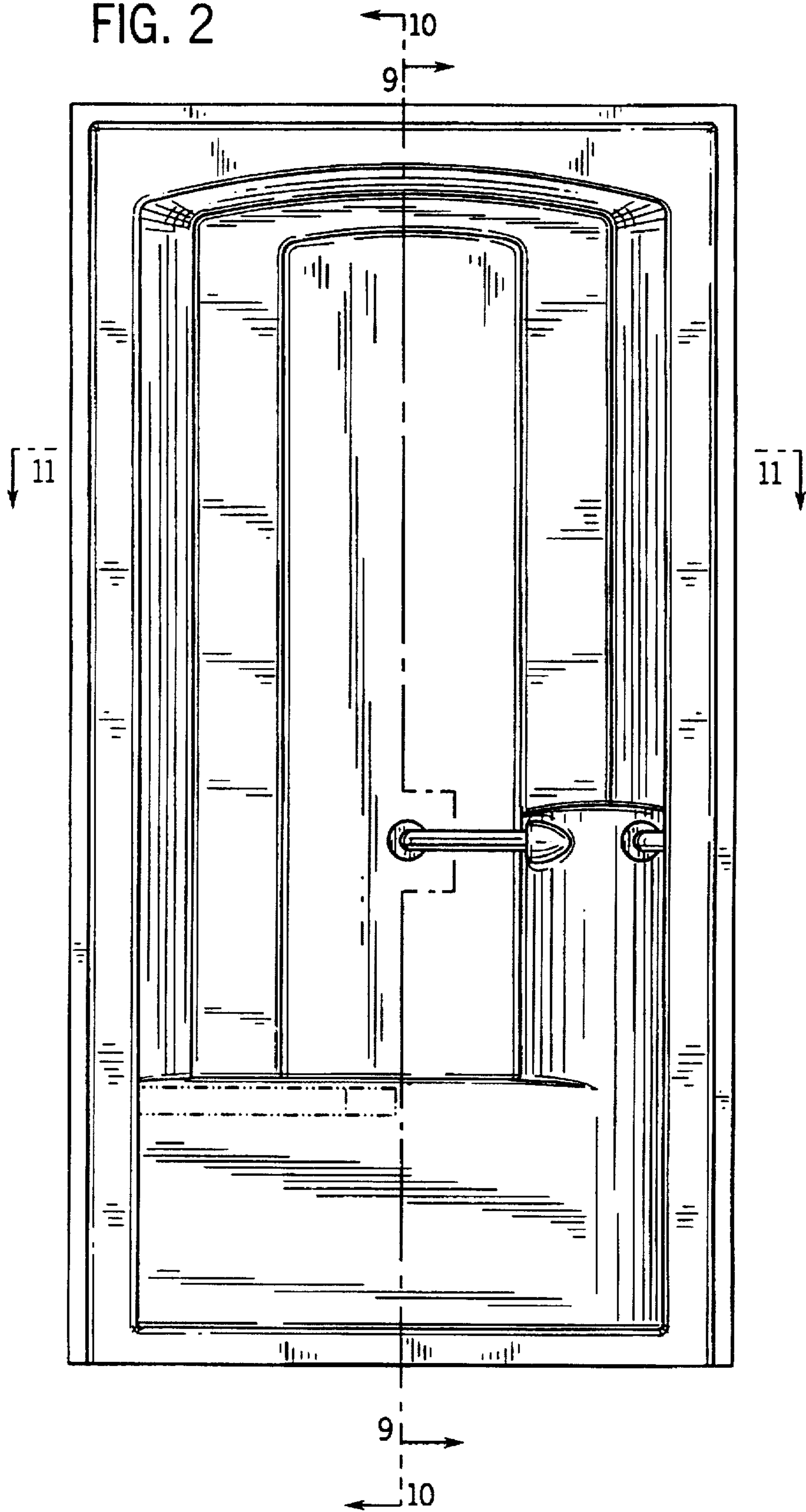


FIG. 3

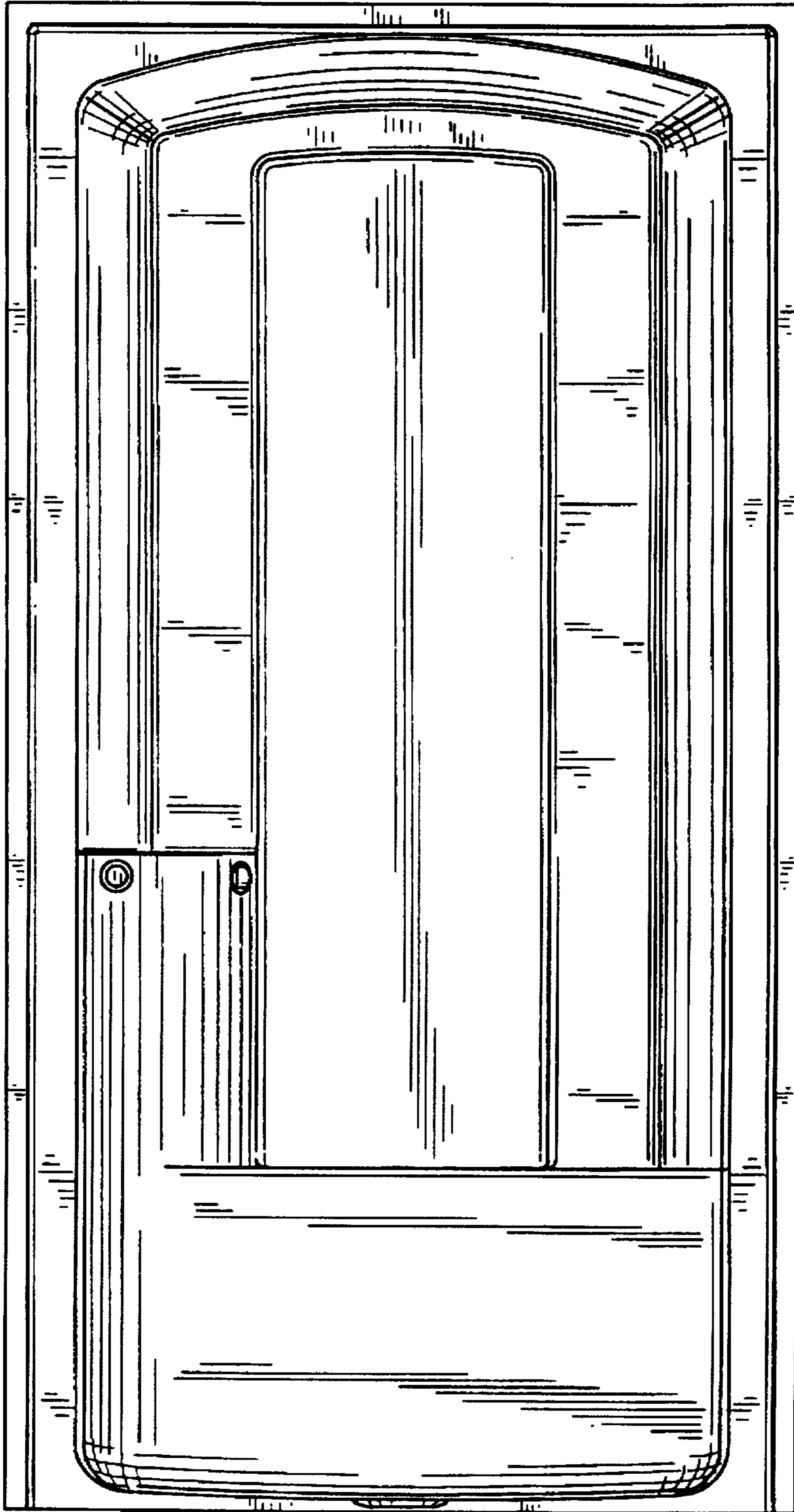


FIG. 4

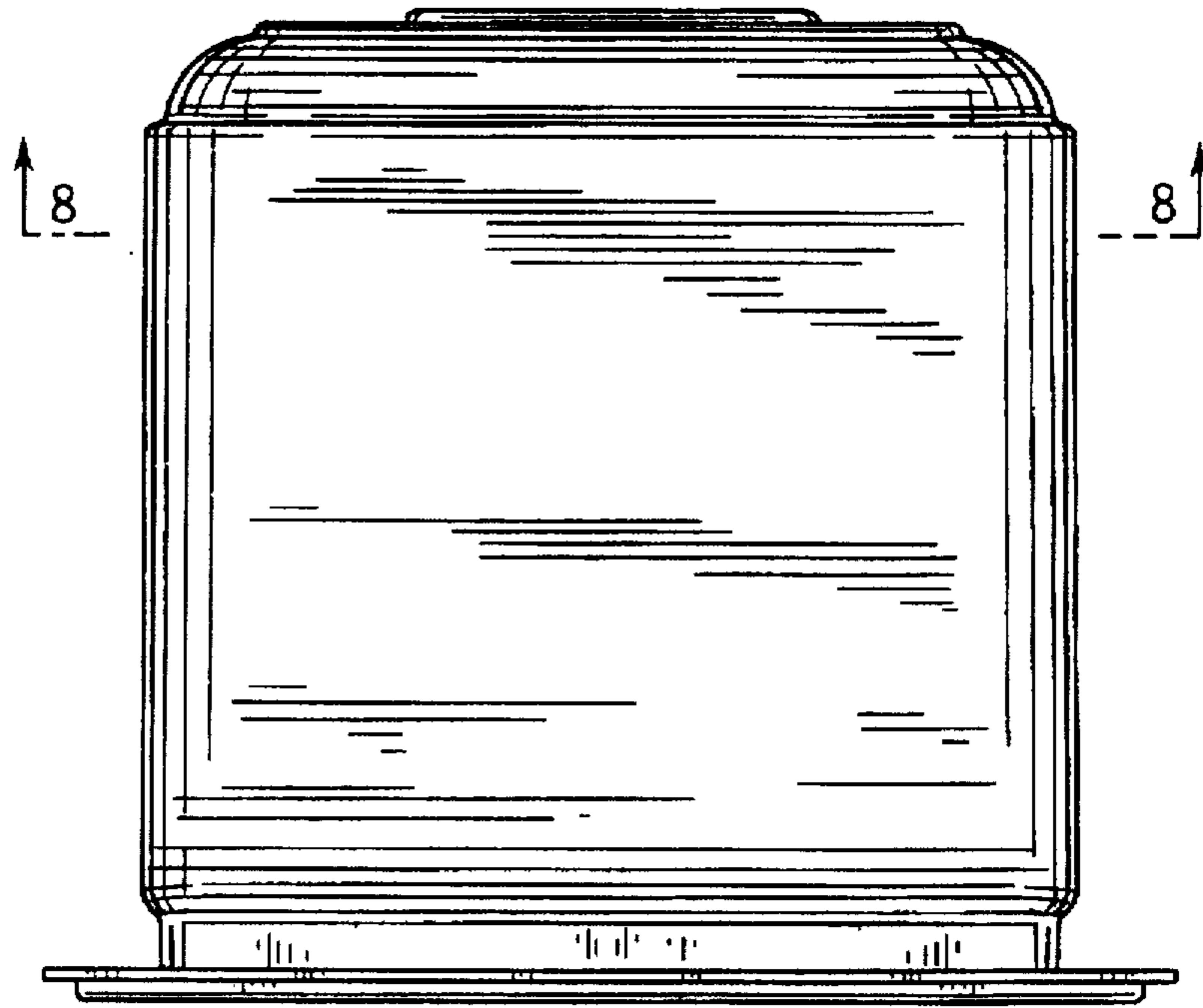


FIG. 5

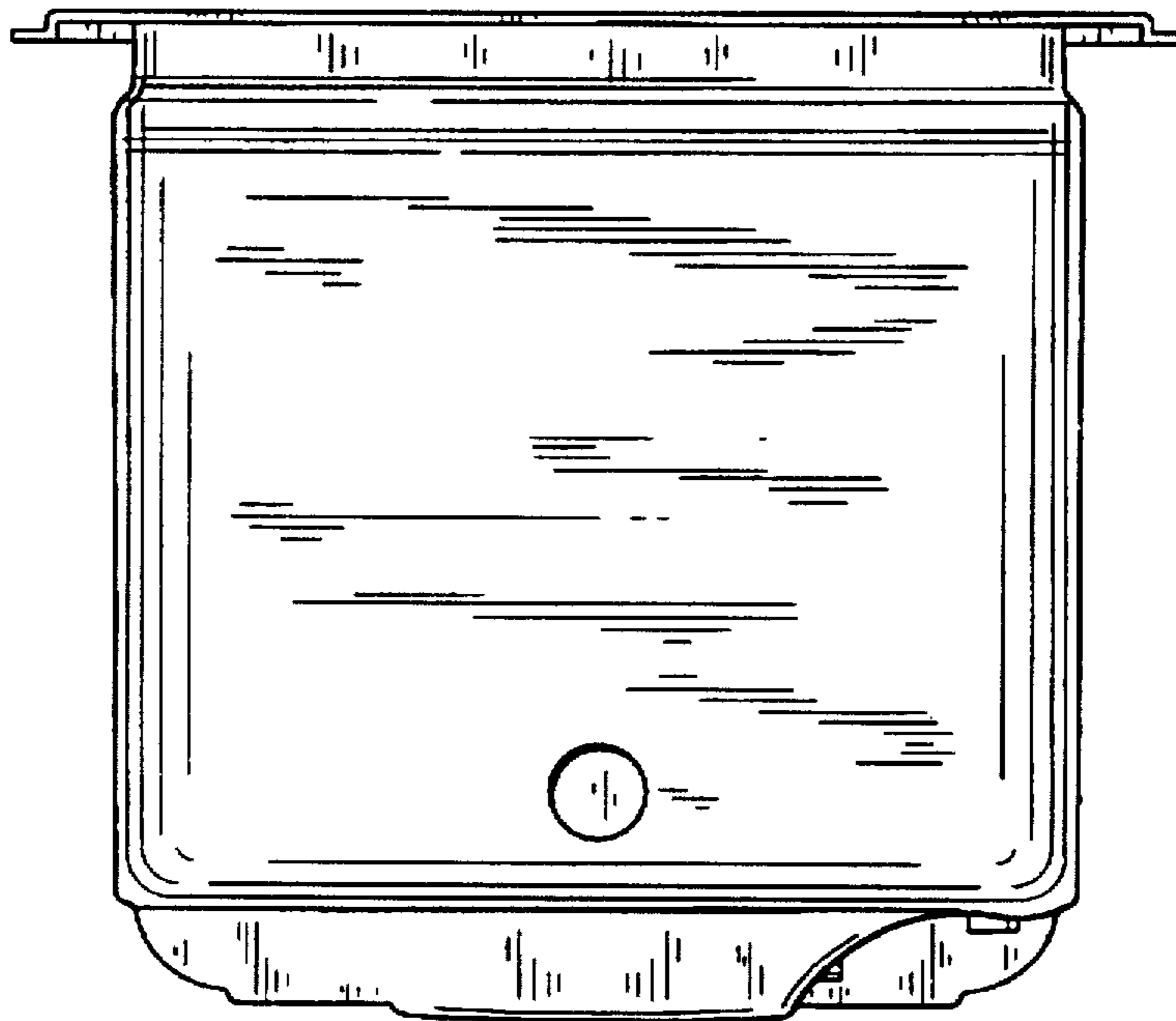


FIG. 6

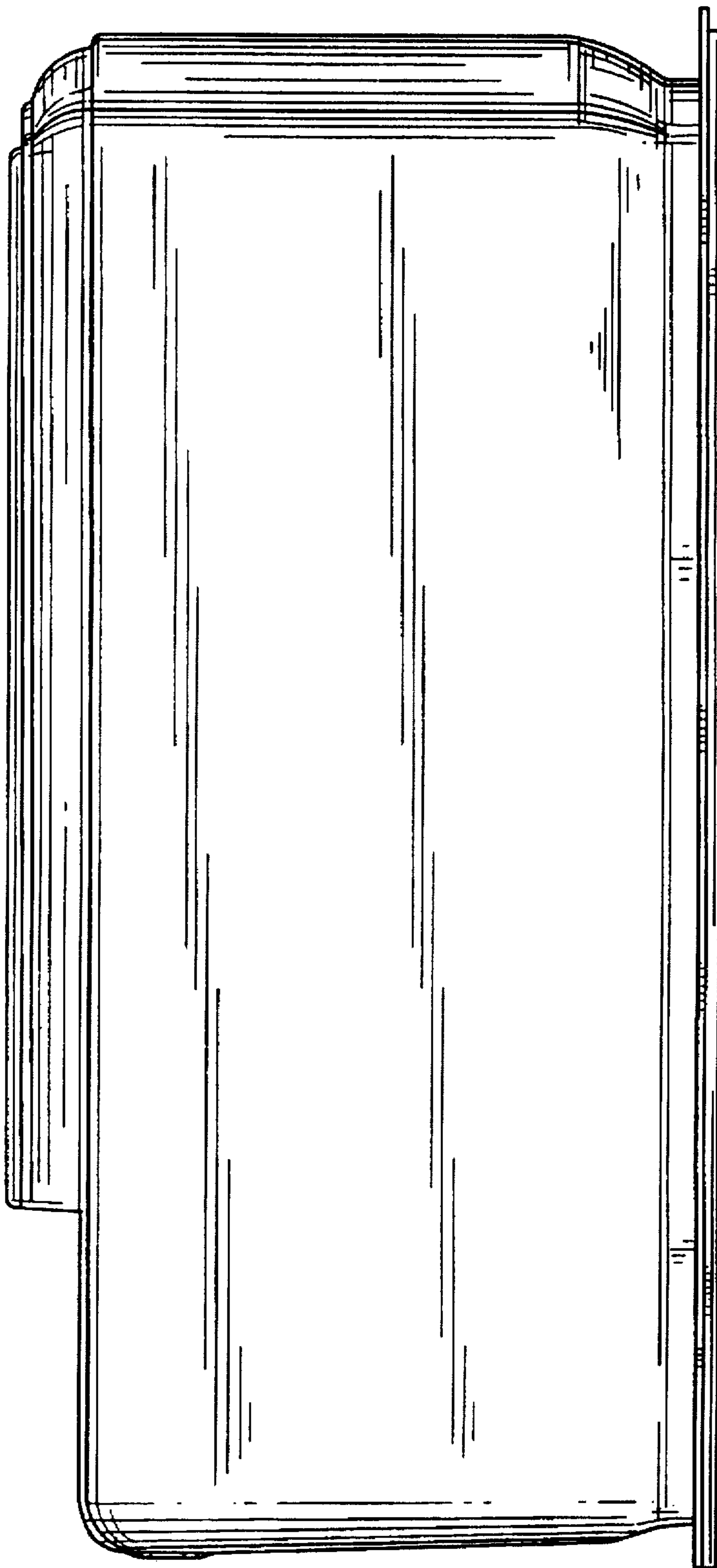


FIG. 7

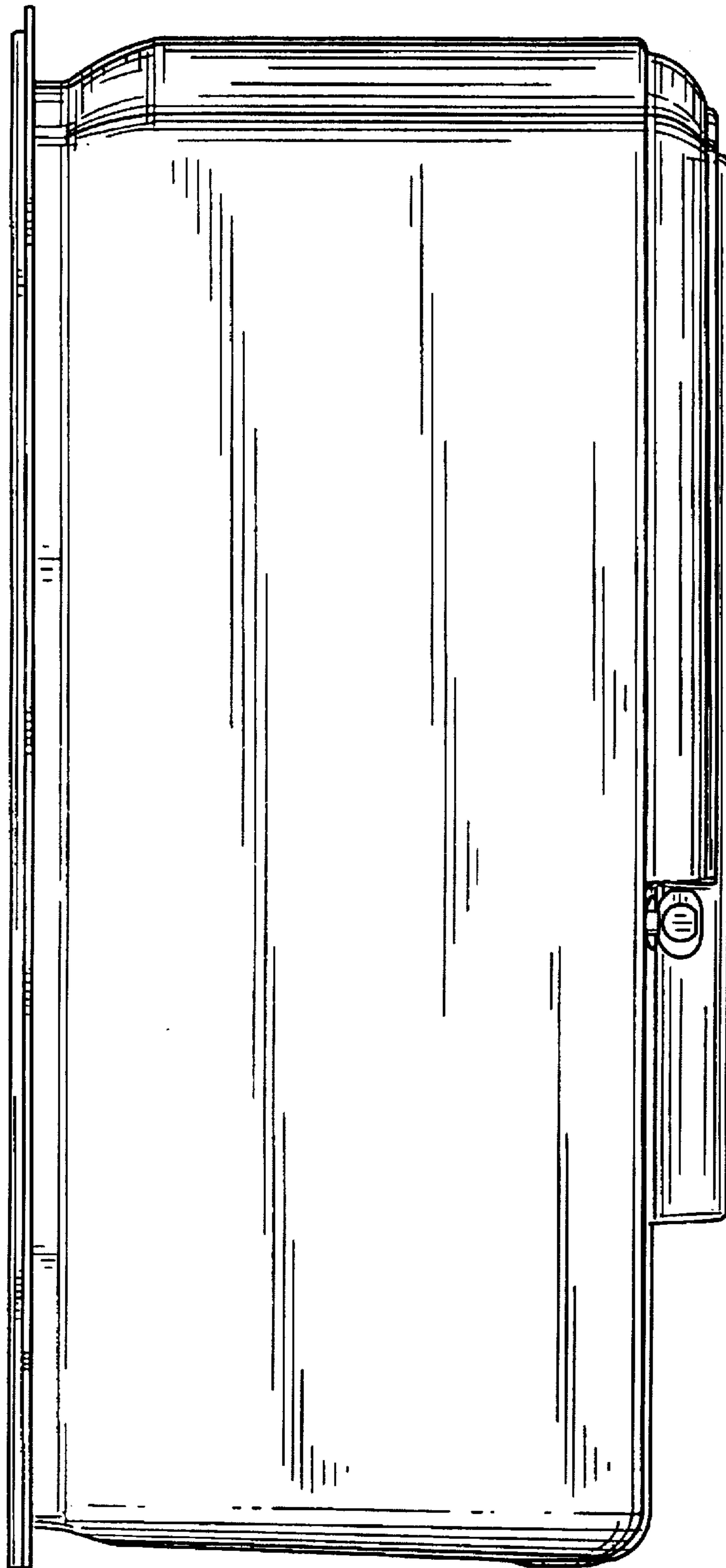


FIG. 8

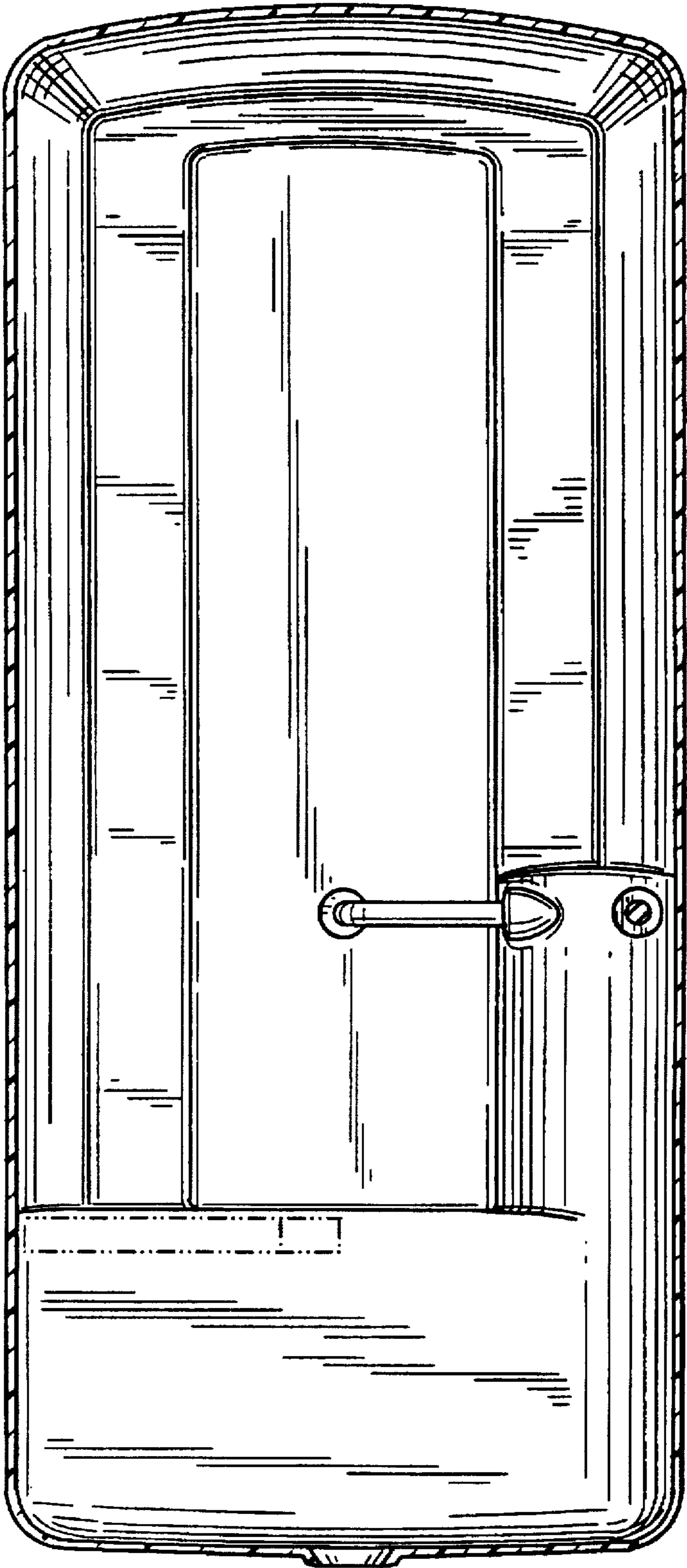


FIG. 9

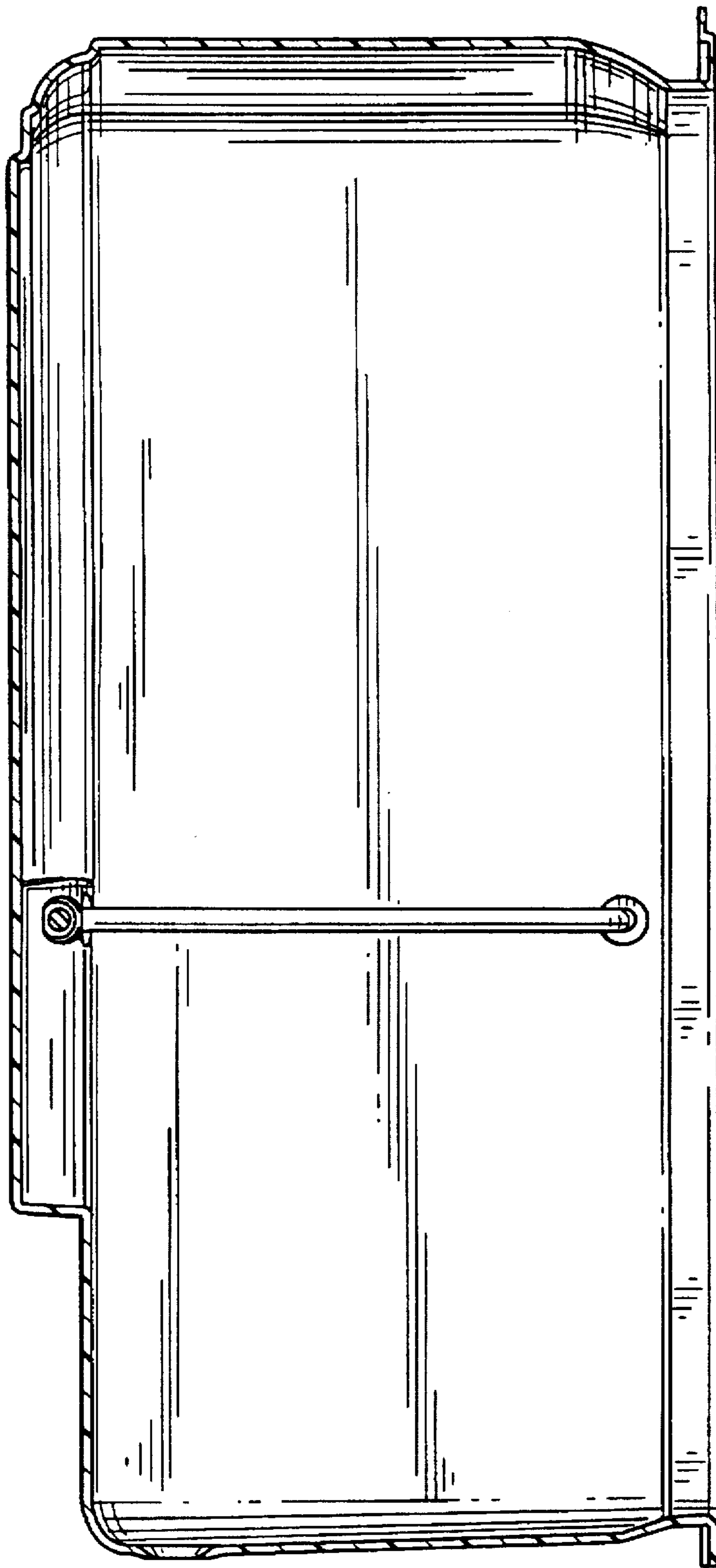


FIG. 10

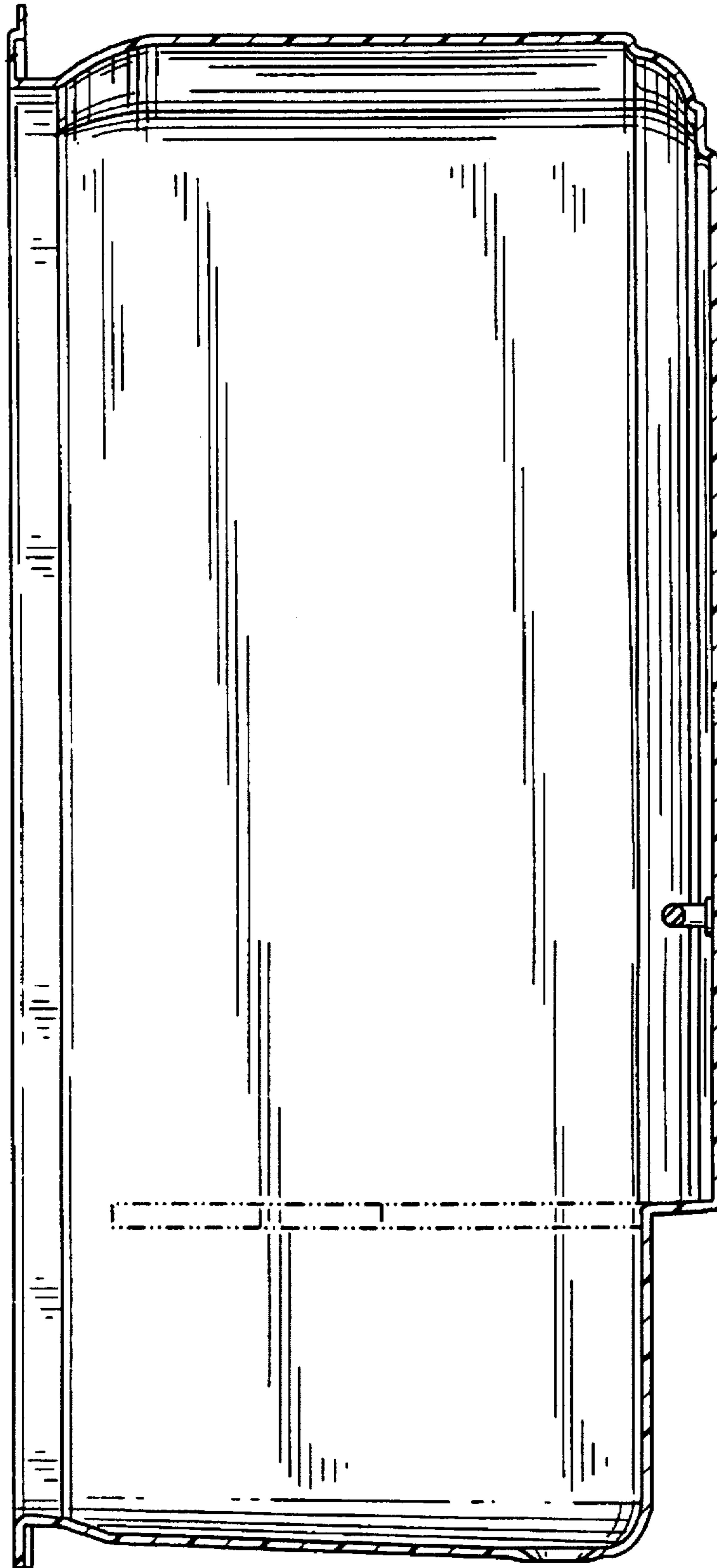


FIG. 11

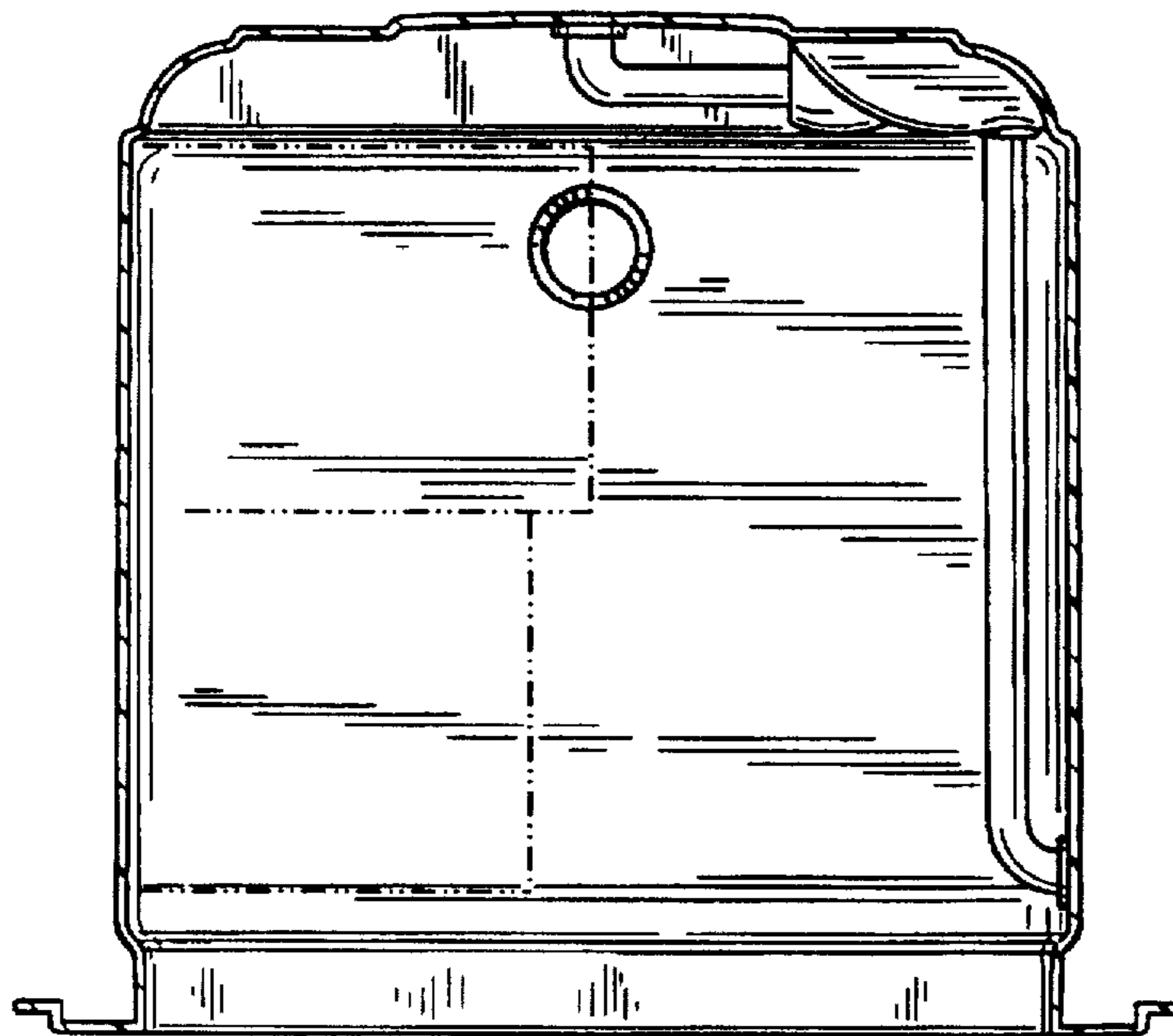


FIG. 13

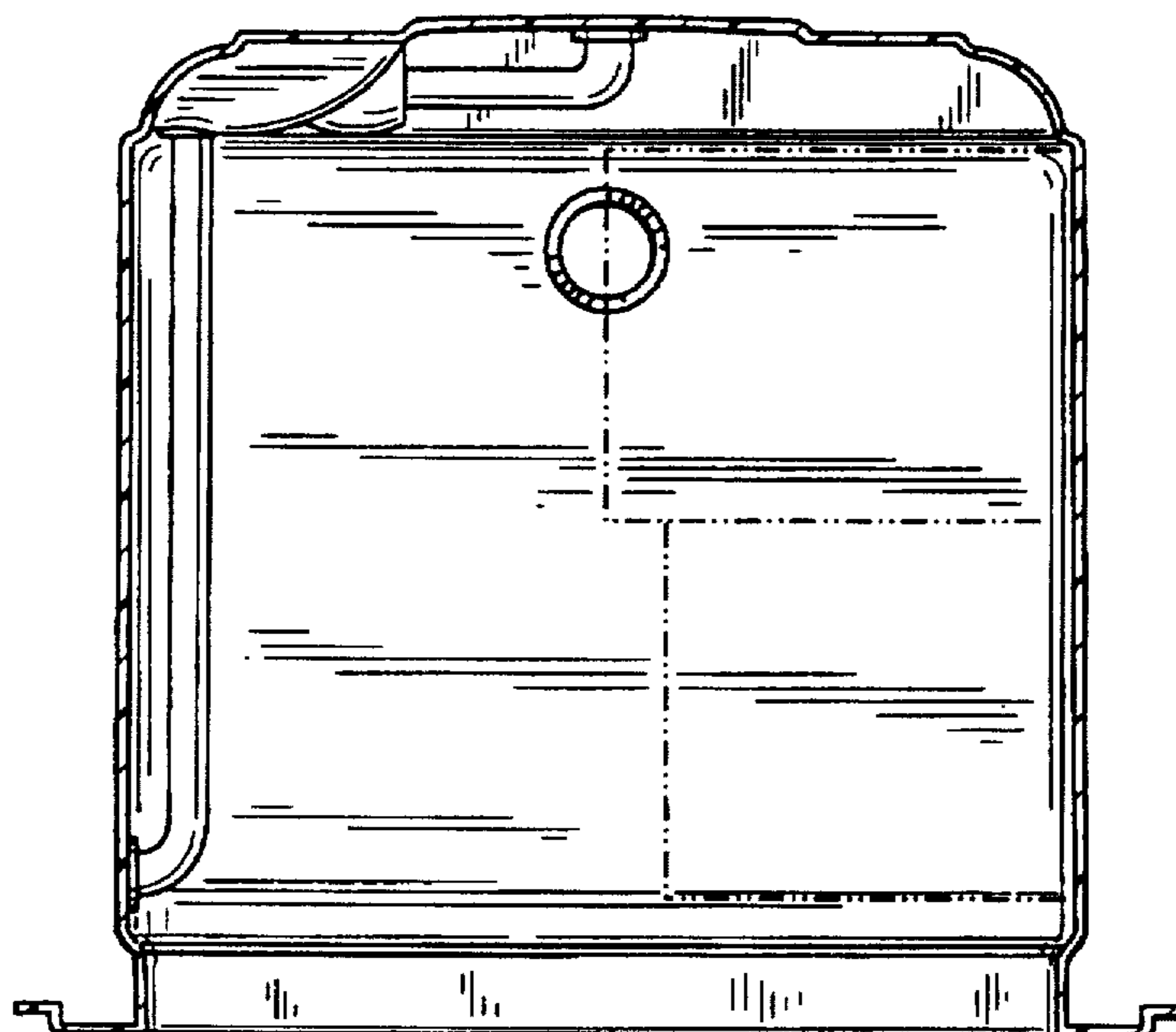


FIG. 12

