



US00D390924S

United States Patent [19] Schlatter

[11] Patent Number: **Des. 390,924**

[45] Date of Patent: ****Feb. 17, 1998**

[54] RAIN GUTTER AND BRACKET ASSEMBLY

[76] Inventor: **James A. Schlatter**, 1736 N. Locust St., Canby, Oreg. 97013

[**] Term: **14 Years**

[21] Appl. No.: **51,072**

[22] Filed: **Mar. 1, 1996**

[51] LOC (6) Cl. **23-01**

[52] U.S. Cl. **D23/267**

[58] Field of Search **D23/267; 52/11-16; 248/48.1, 48.2; D25/35, 56, 164, 100**

[56] References Cited

U.S. PATENT DOCUMENTS

206,495	7/1878	Spiss	248/48.2
D. 338,948	8/1993	Fox	D23/267
474,442	5/1892	Byers	52/12 X
2,120,395	6/1938	Dean	52/12 X
2,533,402	12/1950	Schmitz, Jr.	52/12 X
3,077,055	2/1963	Tripp, Jr.	52/12
5,535,554	7/1996	Harris, Jr.	52/12
5,595,027	1/1997	Vail	52/11 X

FOREIGN PATENT DOCUMENTS

550073	5/1932	Germany	248/48.1
1509127	8/1969	Germany	52/12
5209450	8/1993	Japan	52/11
2865	of 1864	United Kingdom	52/12
23080	of 1892	United Kingdom	52/13

OTHER PUBLICATIONS

Walworth Company Valves Fittings Tools Cat. 89 of 1938; p. 421; No 9301 Irrigation Strainer, 1938.

Primary Examiner—Ted Shooman

Assistant Examiner—C. Tuttle

Attorney, Agent, or Firm—Harold H. Dutton, Jr.

[57] CLAIM

The ornamental design for a rain gutter and bracket assembly, as shown and described.

DESCRIPTION

FIG. 1 is an exploded perspective view of a rain gutter and bracket assembly;

FIG. 2 is a front view shown without the bracket for clarity of disclosure—therefor;

FIG. 3 is a rear view thereof;

FIG. 4 is a top view thereof;

FIG. 5 is a bottom view thereof;

FIG. 6 is a left side view thereof;

FIG. 7 is a right side view thereof;

FIG. 8 is a front view of the bracket portion shown separately for clarity;

FIG. 9 is a rear view thereof;

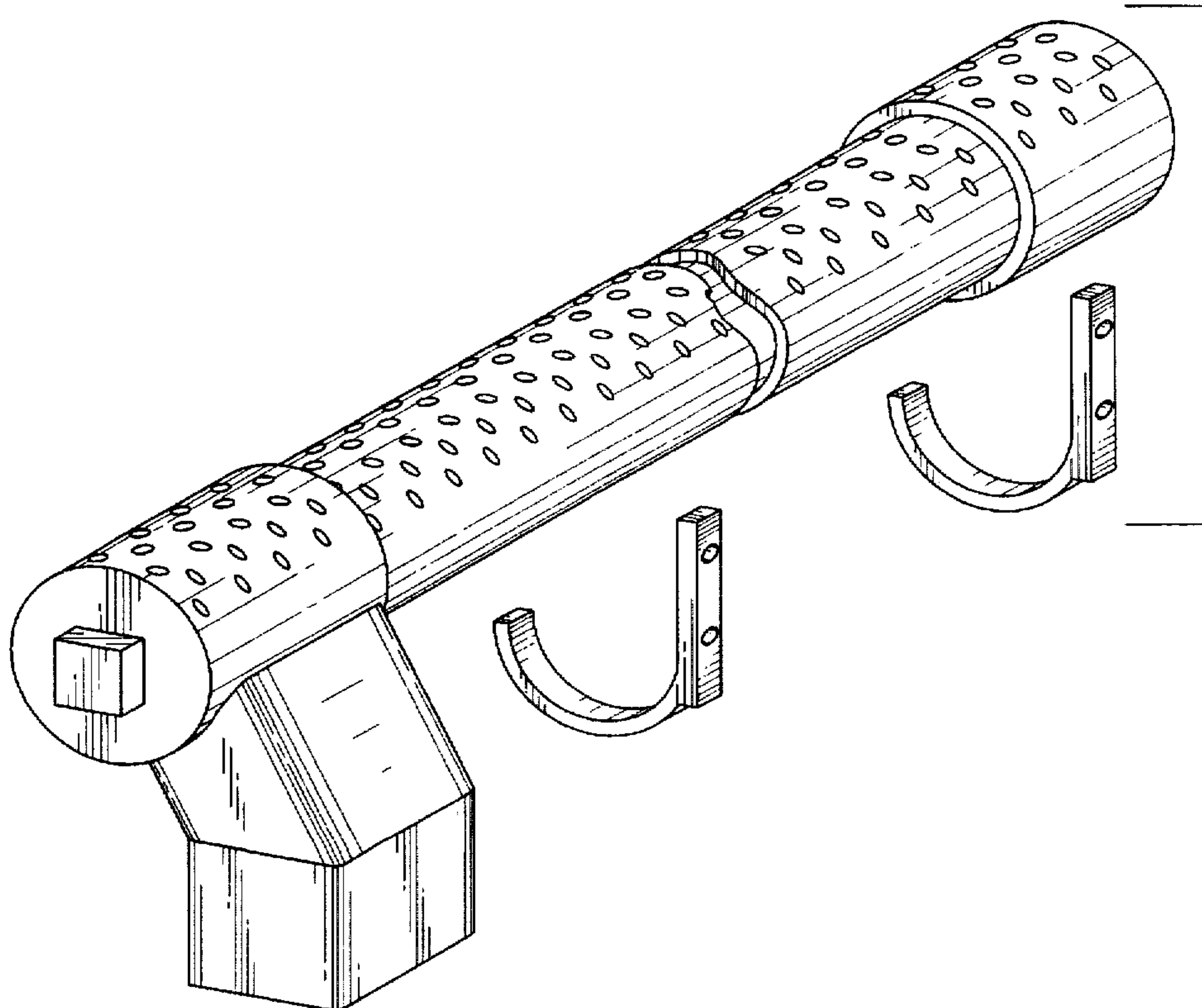
FIG. 10 is a left side view thereof the opposite side being a mirror image;

FIG. 11 is a top view thereof; and,

FIG. 12 is a bottom view thereof.

The gutter is shown partially broken away in the various view to indicate indeterminate length.

1 Claim, 6 Drawing Sheets



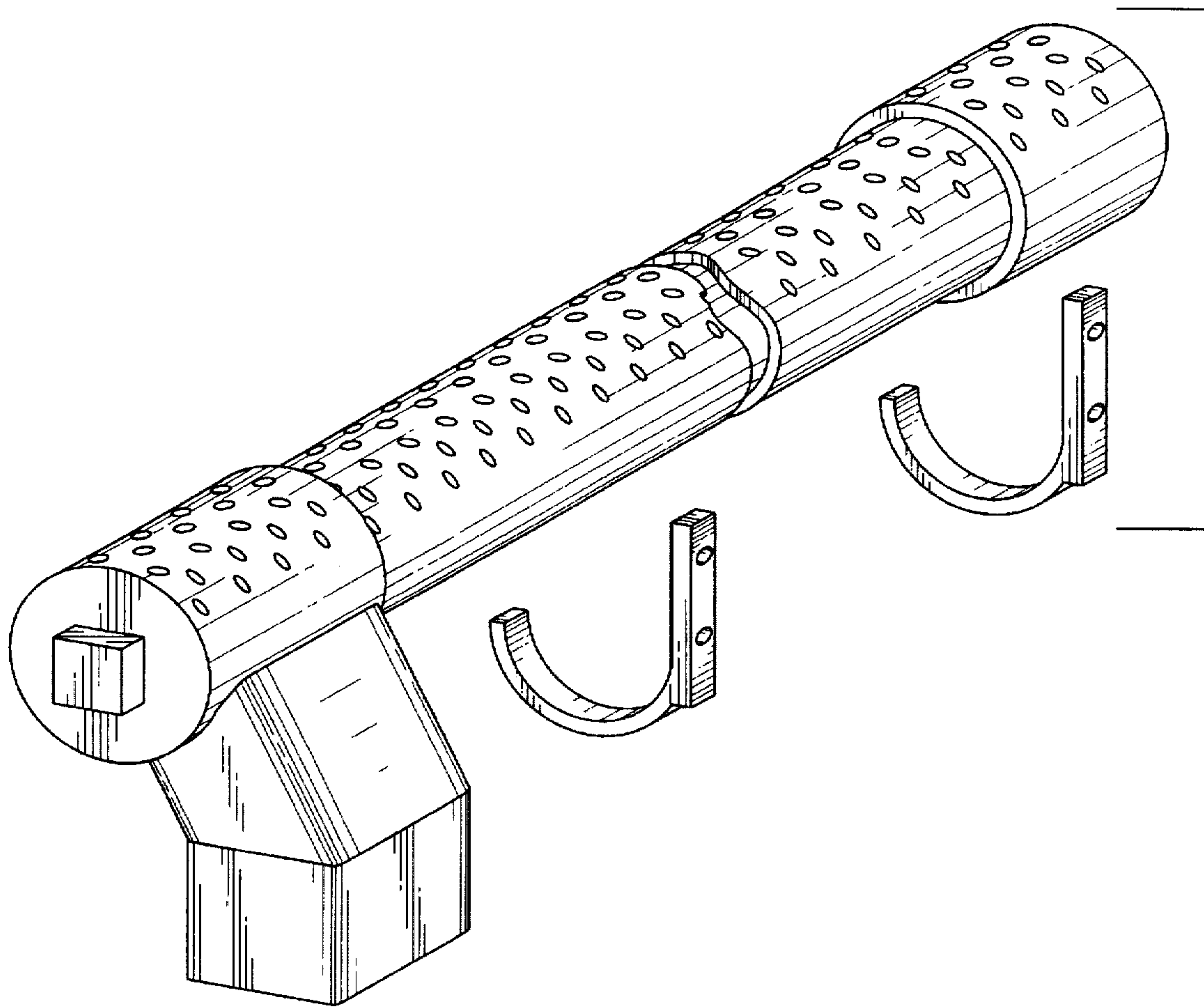


FIG. 1

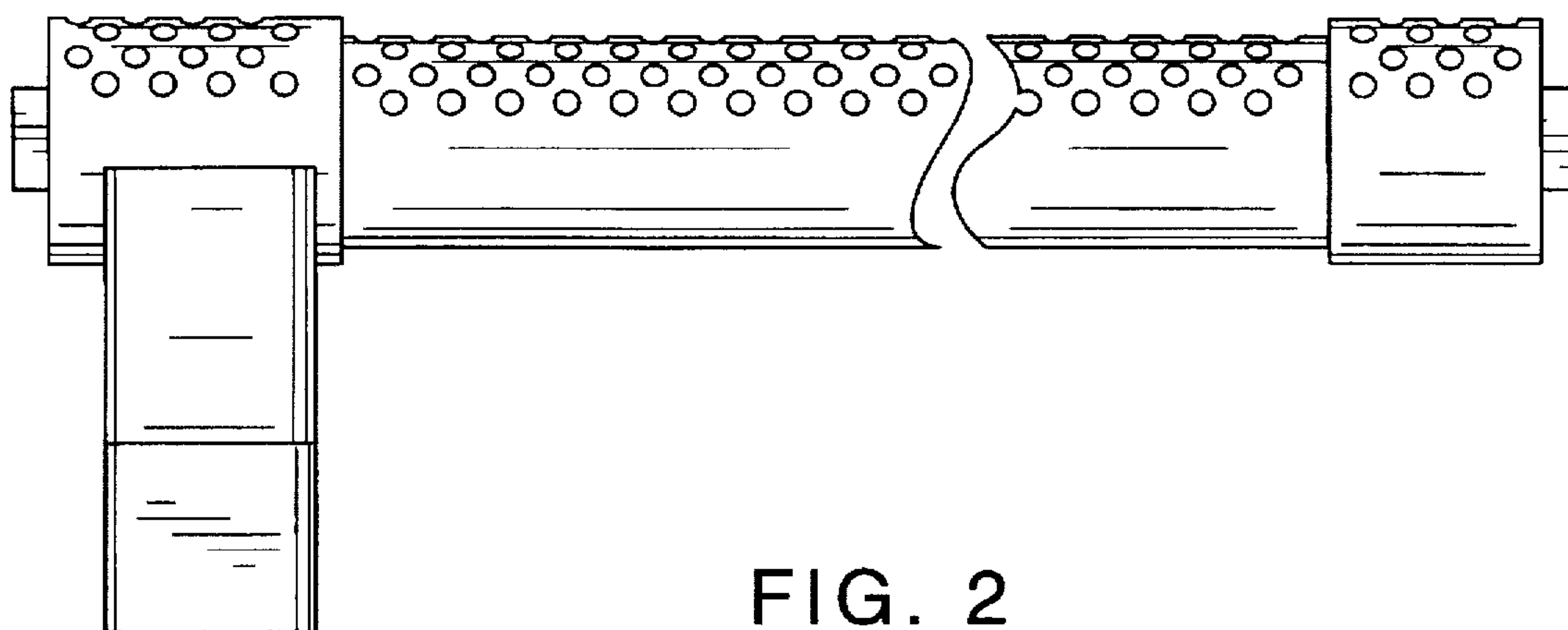


FIG. 2

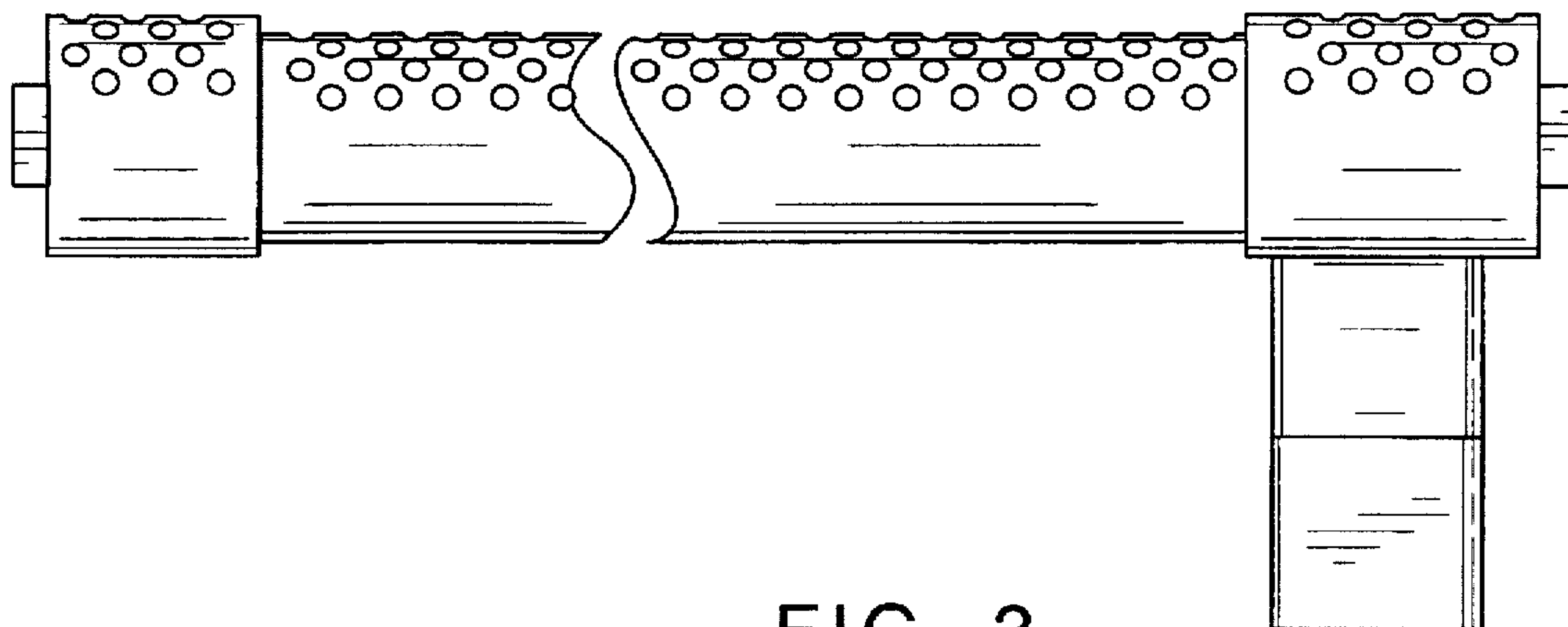


FIG. 3

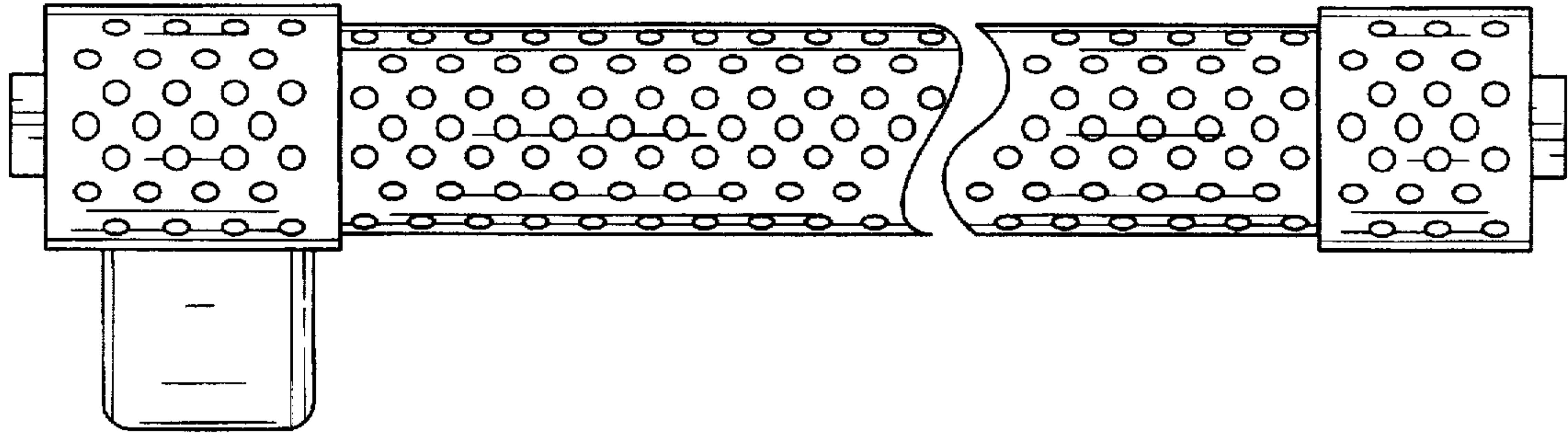


FIG. 4

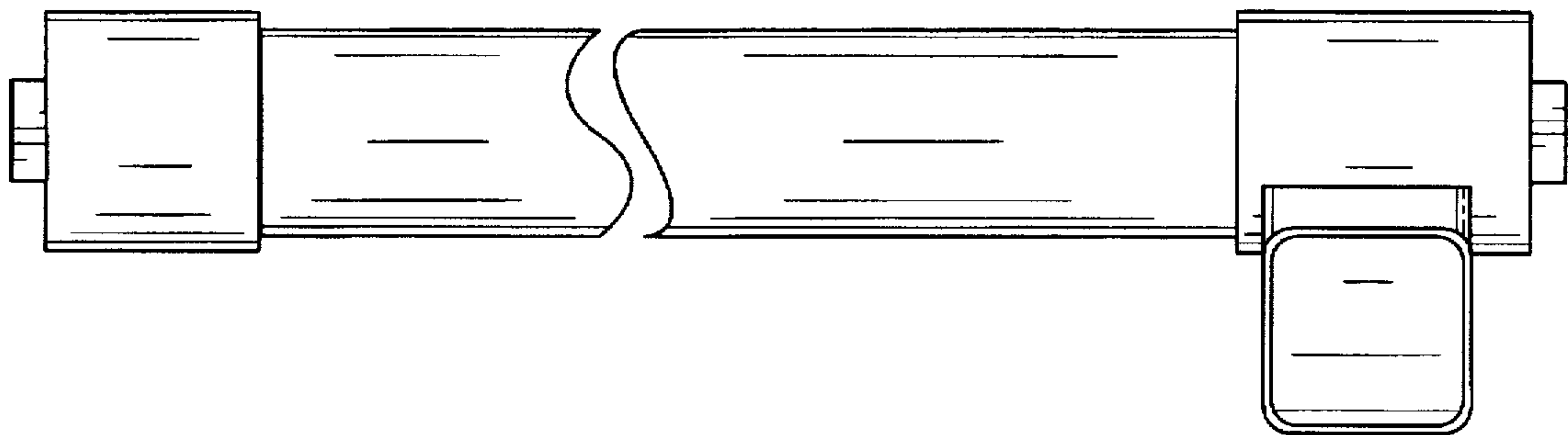


FIG. 5

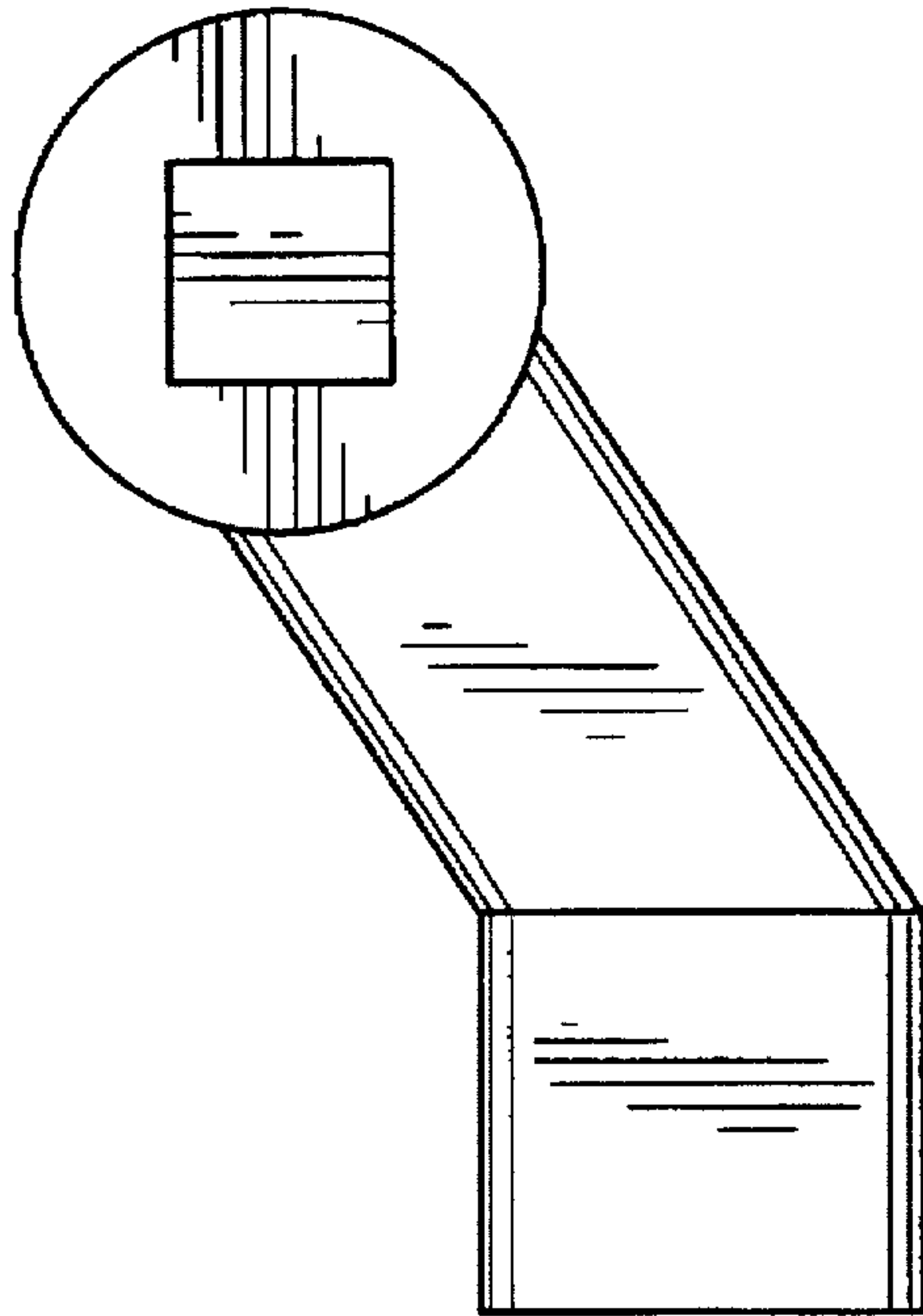


FIG. 6

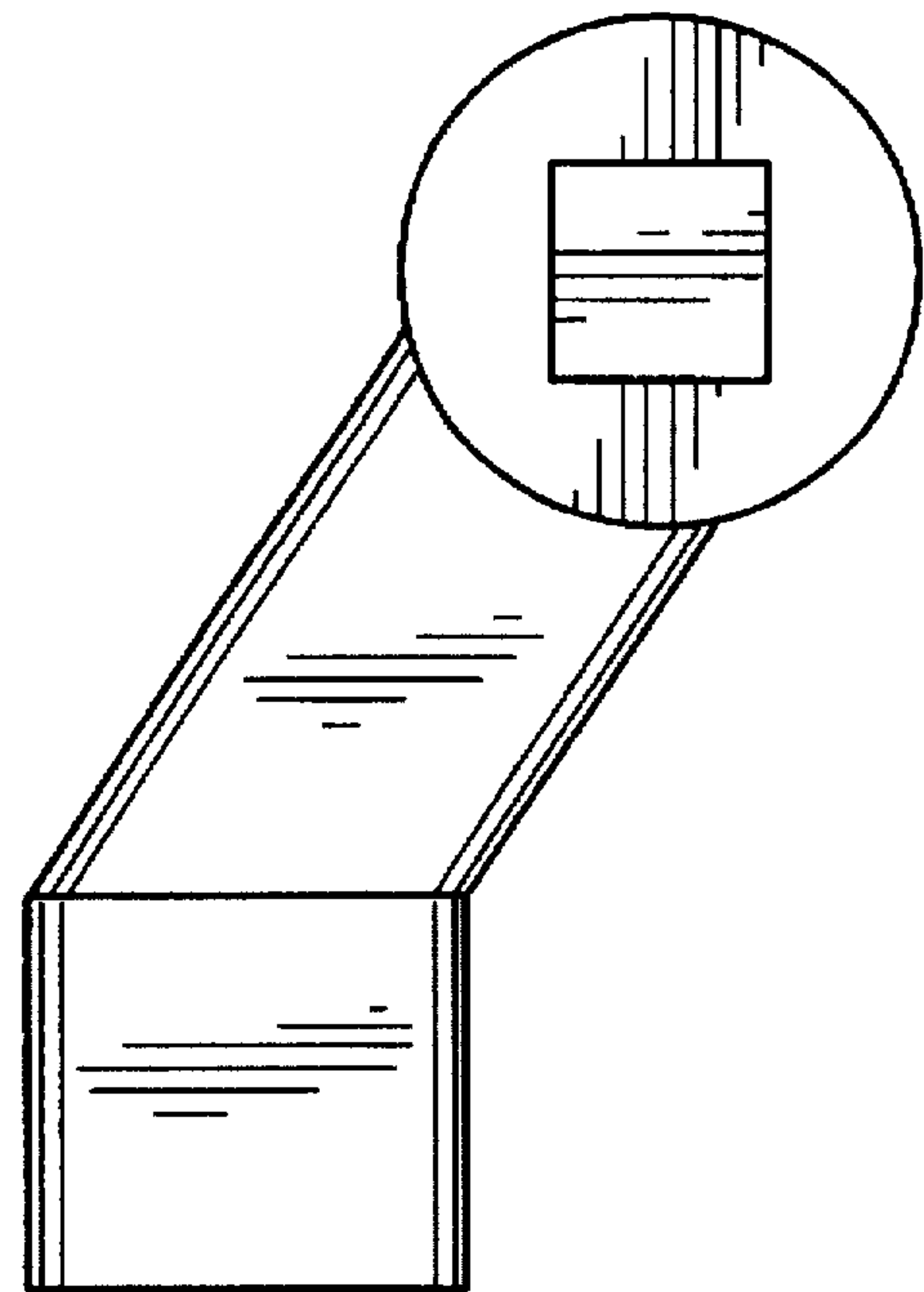


FIG. 7



FIG. 8



FIG. 9

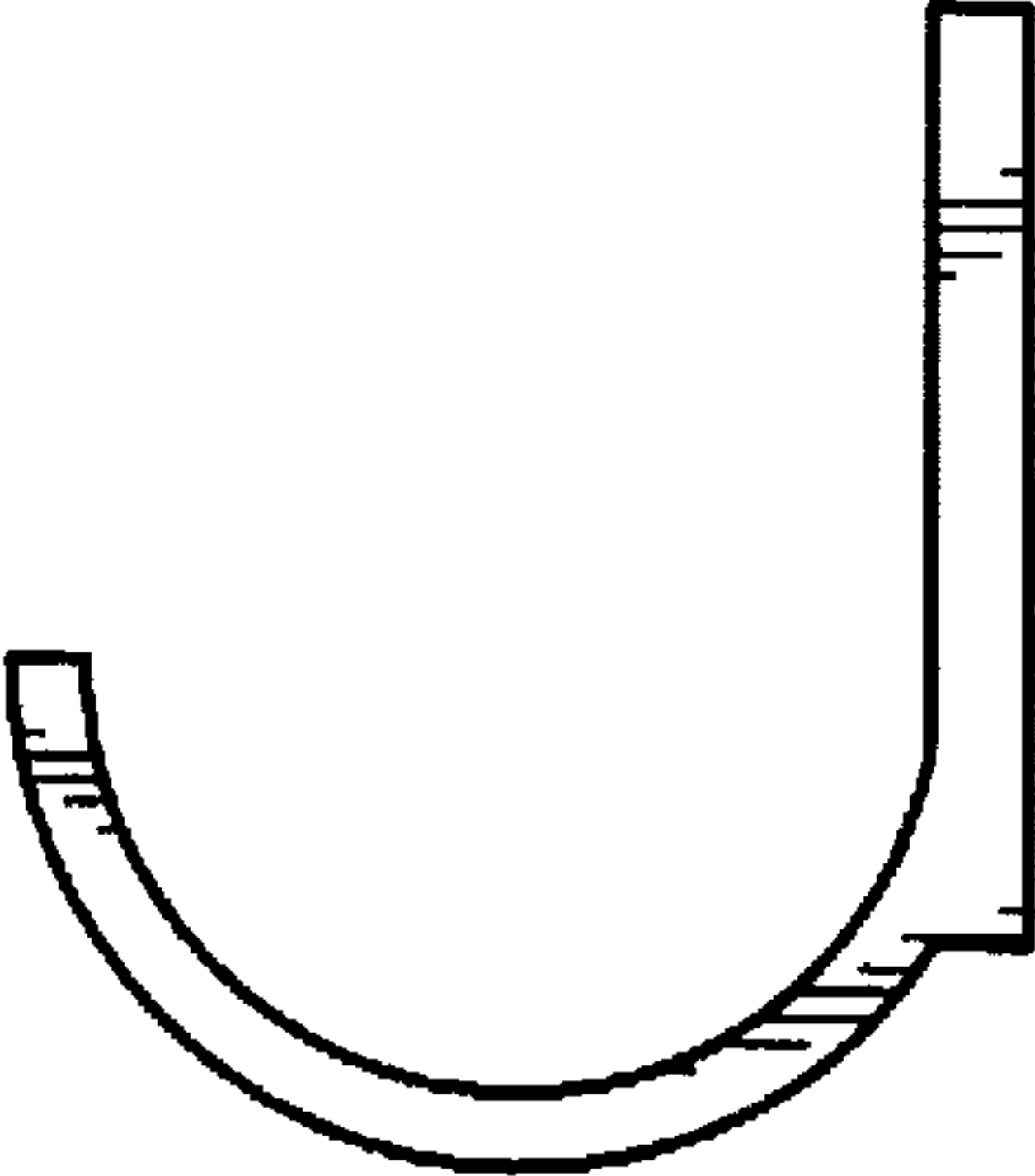


FIG. 10



FIG. 11



FIG. 12