



US00D390923S

United States Patent [19]

[11] Patent Number: **Des. 390,923**

Stevens

[45] Date of Patent: ****Feb. 17, 1998**

[54] COUPLING NUT

[76] Inventor: **Derek Stevens**, 752 Quincy St., Brooklyn, N.Y. 11221

[**] Term: **14 Years**

[21] Appl. No.: **57,204**

[22] Filed: **Jul. 19, 1996**

[51] LOC (6) Cl. **23-01**

[52] U.S. Cl. **D23/262; D8/398**

[58] Field of Search **D23/259, 262; D8/397, 398; 285/38; 411/427, 435**

[56] References Cited

U.S. PATENT DOCUMENTS

D. 16,160	7/1885	Crane	D23/265
D. 43,713	3/1913	Campbell	D8/397
D. 54,781	3/1920	Sheffner	D23/262
D. 258,379	2/1981	Joseph	D23/259
D. 277,454	2/1985	Meinhardt	D8/397
2,286,263	6/1942	Comins	285/38 X
5,061,077	10/1991	Whiteman, Jr.	285/38 X
5,525,215	6/1996	Marchionda	4/292 X

FOREIGN PATENT DOCUMENTS

866949	9/1941	France	411/427
2220240	1/1990	United Kingdom	285/38

OTHER PUBLICATIONS

Thos. Somerville Co. Plumbing, Heating & Mill Supplies Cat. 52 of 1952; p. 298—item on upper right indicated by arrow. 1952.

Primary Examiner—Ted Shooman
Assistant Examiner—C. Tuttle
Attorney, Agent, or Firm—Goldstein & Associates

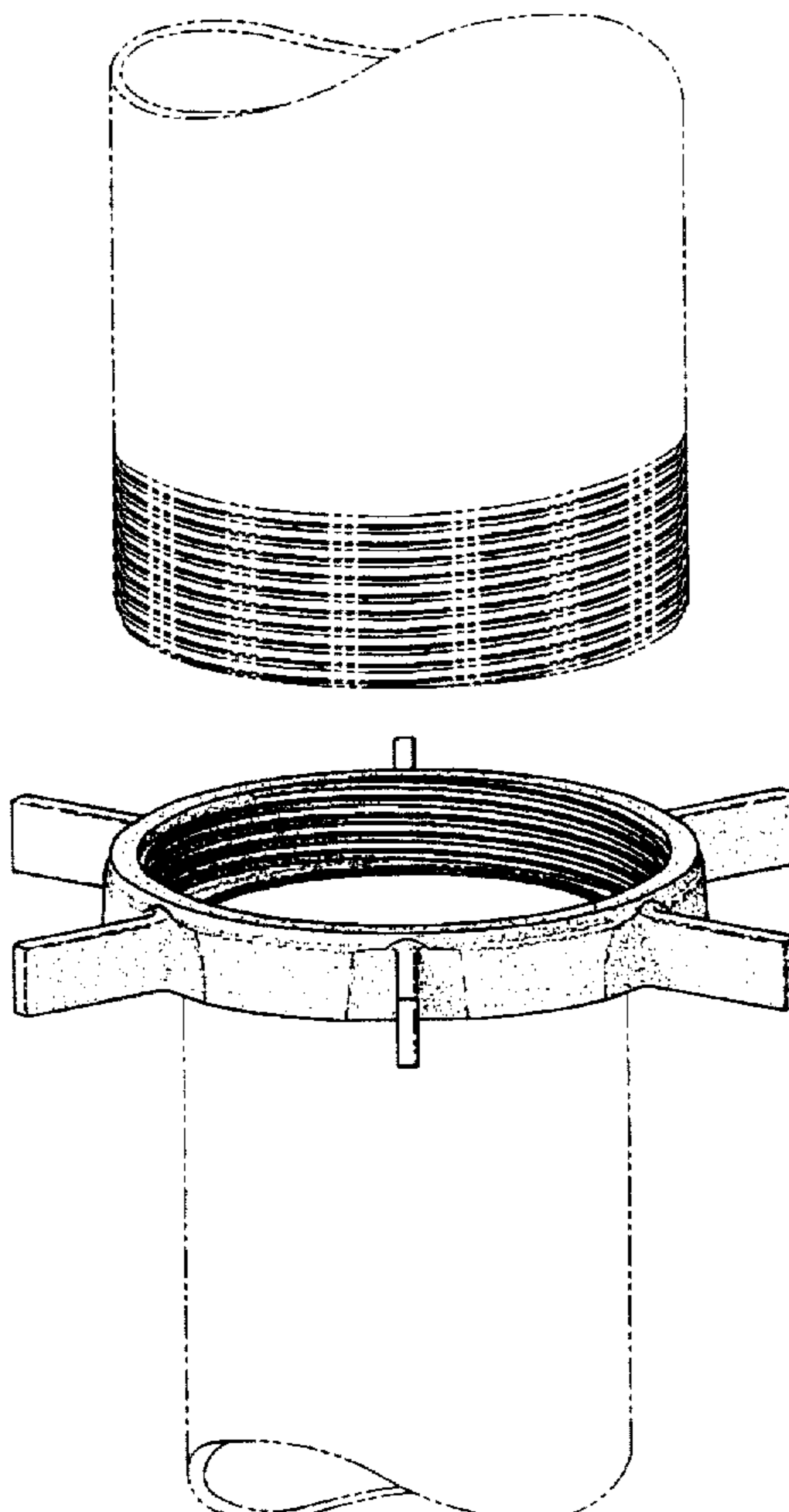
[57] CLAIM

The ornamental design for a coupling nut, as shown and described.

DESCRIPTION

FIG. 1 is a perspective view of a coupling nut showing my new design, the broken line showing the threaded pipes being for illustrative purposes only and forming no part of the claimed design. The undisclosed portions of the threads and inner edges follow the contours of the sides shown; FIG. 2 is a top plan view of the coupling nut shown on a reduced scale; FIG. 3 is a bottom plan view thereof shown on a reduced scale; FIG. 4 is a left side elevational view of the coupling nut shown on an enlarged scale, the right elevational view being identical thereto; and, FIG. 5 is a front elevational view of the coupling nut shown on an enlarged scale, the rear view being identical thereto.

1 Claim, 2 Drawing Sheets



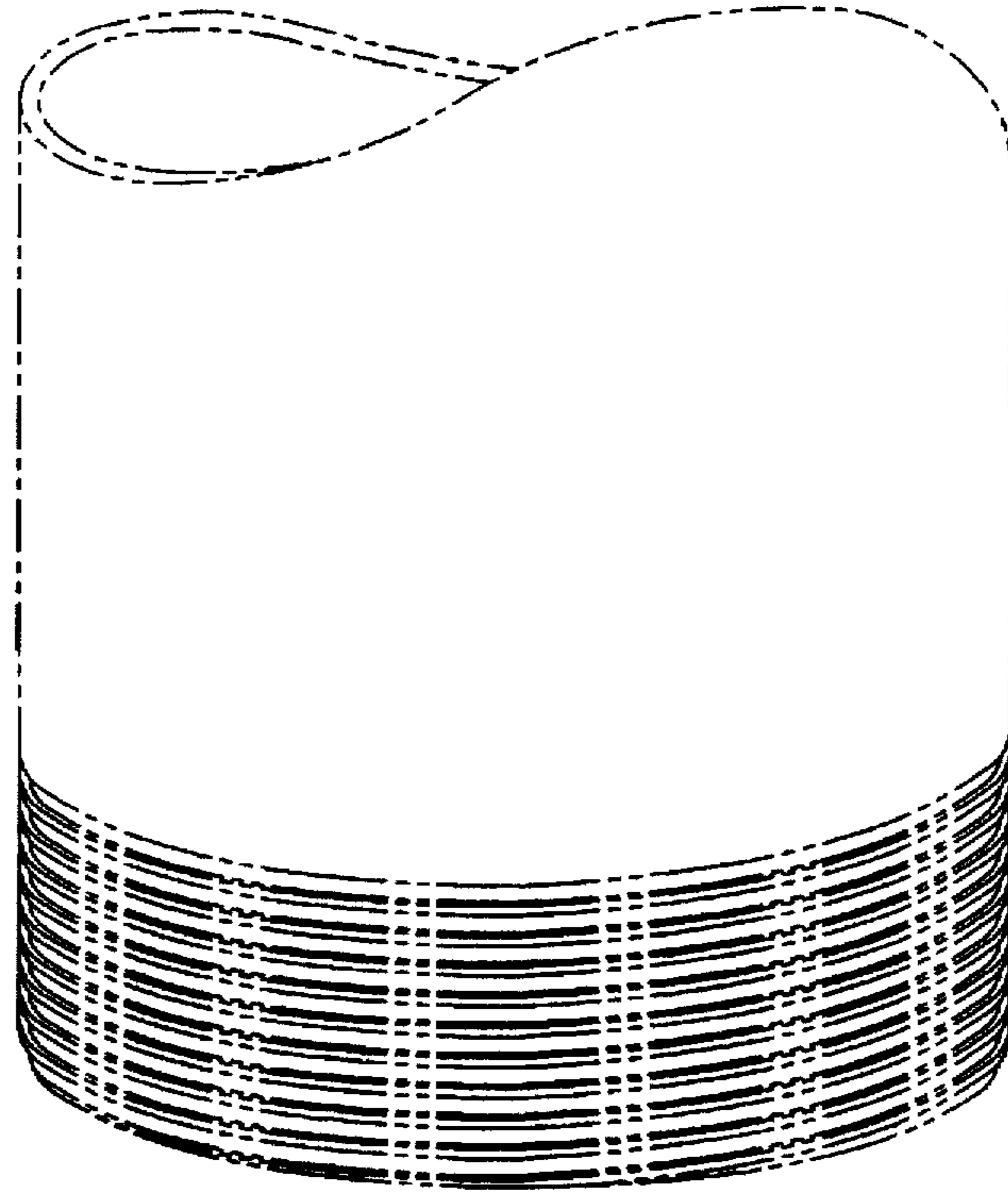
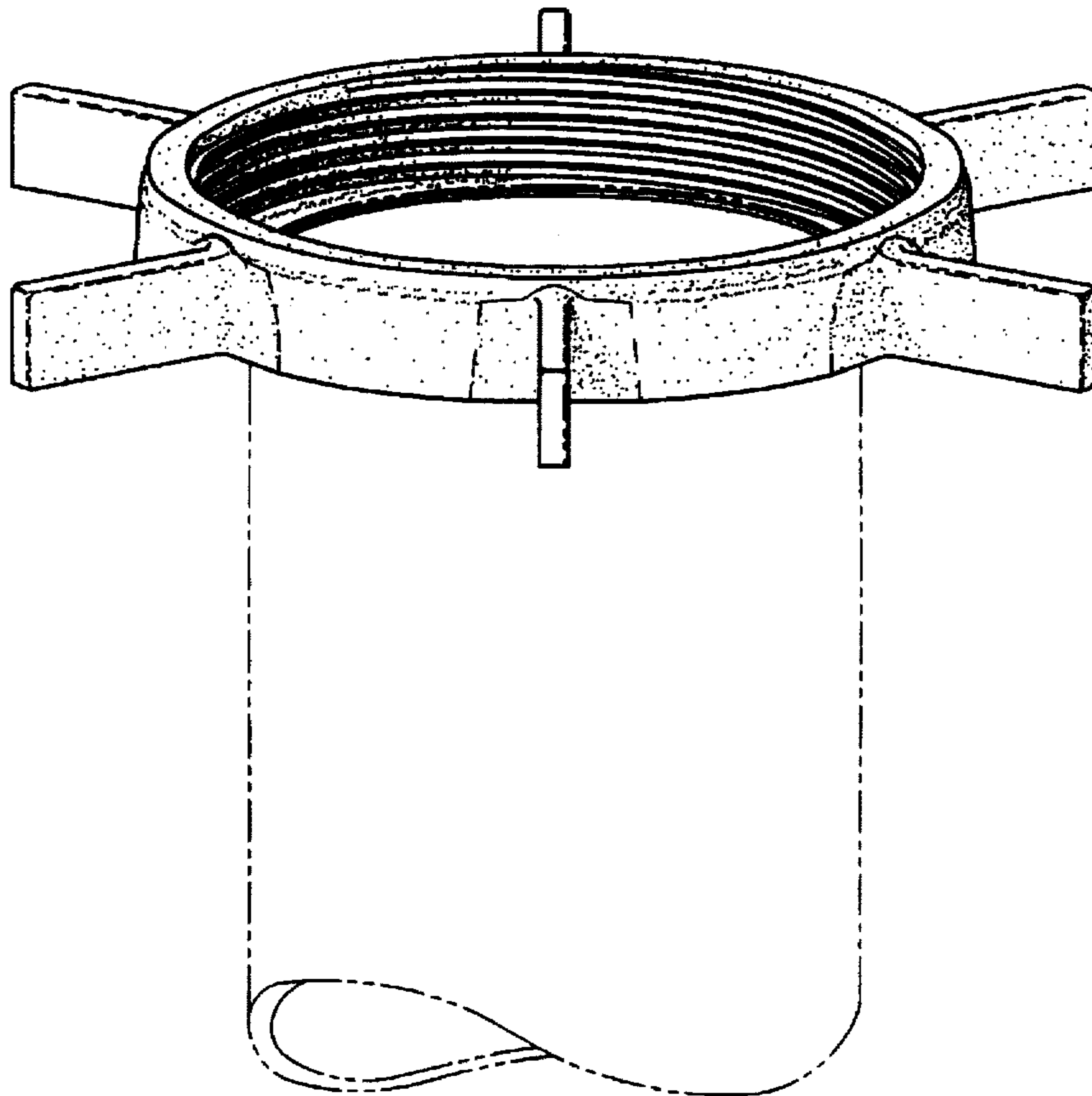


Fig. 1



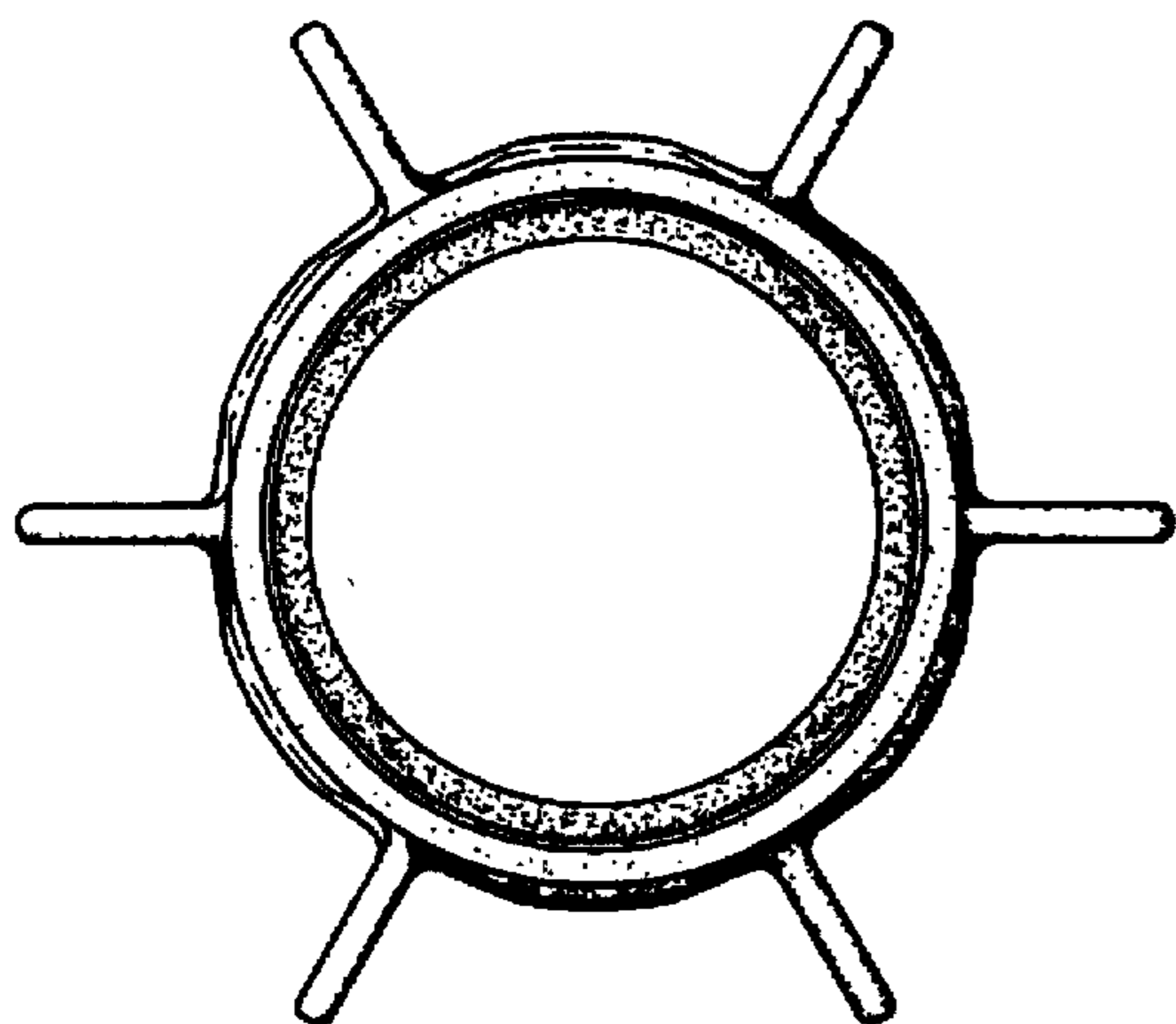


Fig. 2

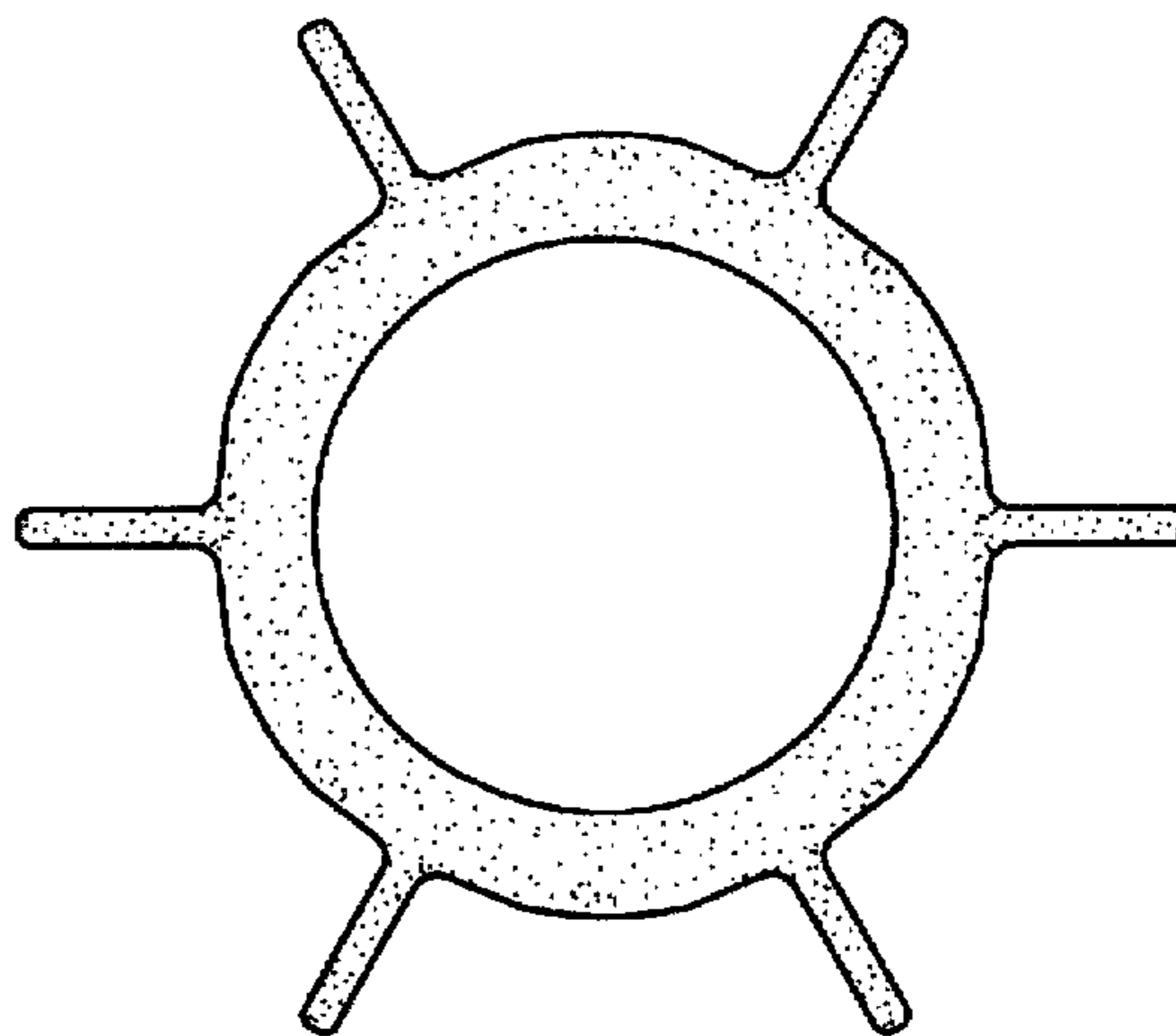


Fig. 3

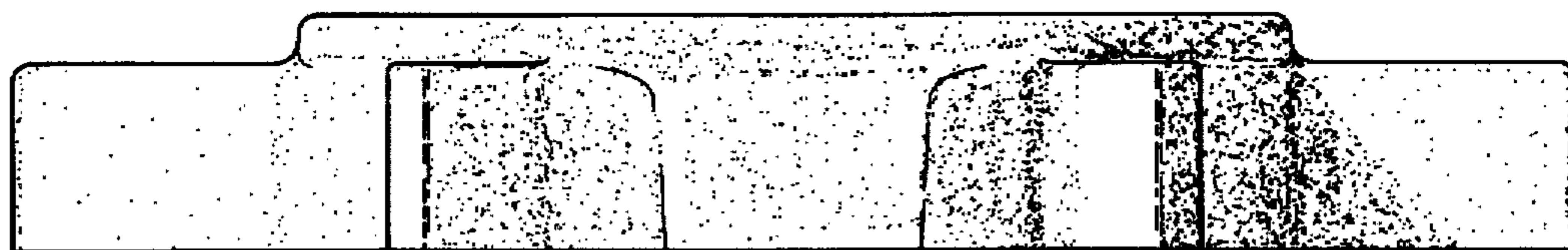


Fig. 4



Fig. 5