



US00D390921S

United States Patent [19]

[11] Patent Number: **Des. 390,921**

Steffes et al.

[45] Date of Patent: ****Feb. 17, 1998**

[54] **FAUCET HANDLE**

[75] Inventors: **Rudolf Steffes**, Mueckeln, Germany;
Paul P. Kolada, Bexley, Ohio

[73] Assignee: **American Standard, Inc.**, Piscataway,
N.J.

[**] Term: **14 Years**

[21] Appl. No.: **56,472**

[22] Filed: **Jul. 1, 1996**

[51] LOC (6) Cl. **23-01**

[52] U.S. Cl. **D23/250**

[58] Field of Search D23/238-243,
D23/249-254; D8/308, 310; 251/291, 292;
16/110 R, 111 R, 114 R, 118, 121, 123,
125, DIG. 24, DIG. 30, DIG. 41

[56] **References Cited**

U.S. PATENT DOCUMENTS

D. 285,106	8/1986	Yost	D23/252
D. 318,717	7/1991	Sprugler	D23/252
D. 357,305	4/1995	Fabian	D23/252
D. 364,216	11/1995	Hill et al.	D23/252
D. 365,384	12/1995	Robbins	D23/252
D. 372,300	7/1996	Fabian	D23/252

OTHER PUBLICATIONS

American Standard Inc., Brochure, 1995 p. 30-B, C & E.

Primary Examiner—Louis S. Zarfes
Assistant Examiner—Eric Watterson

Attorney, Agent, or Firm—Ann M. Knab; Elaine Brenner
Robinson

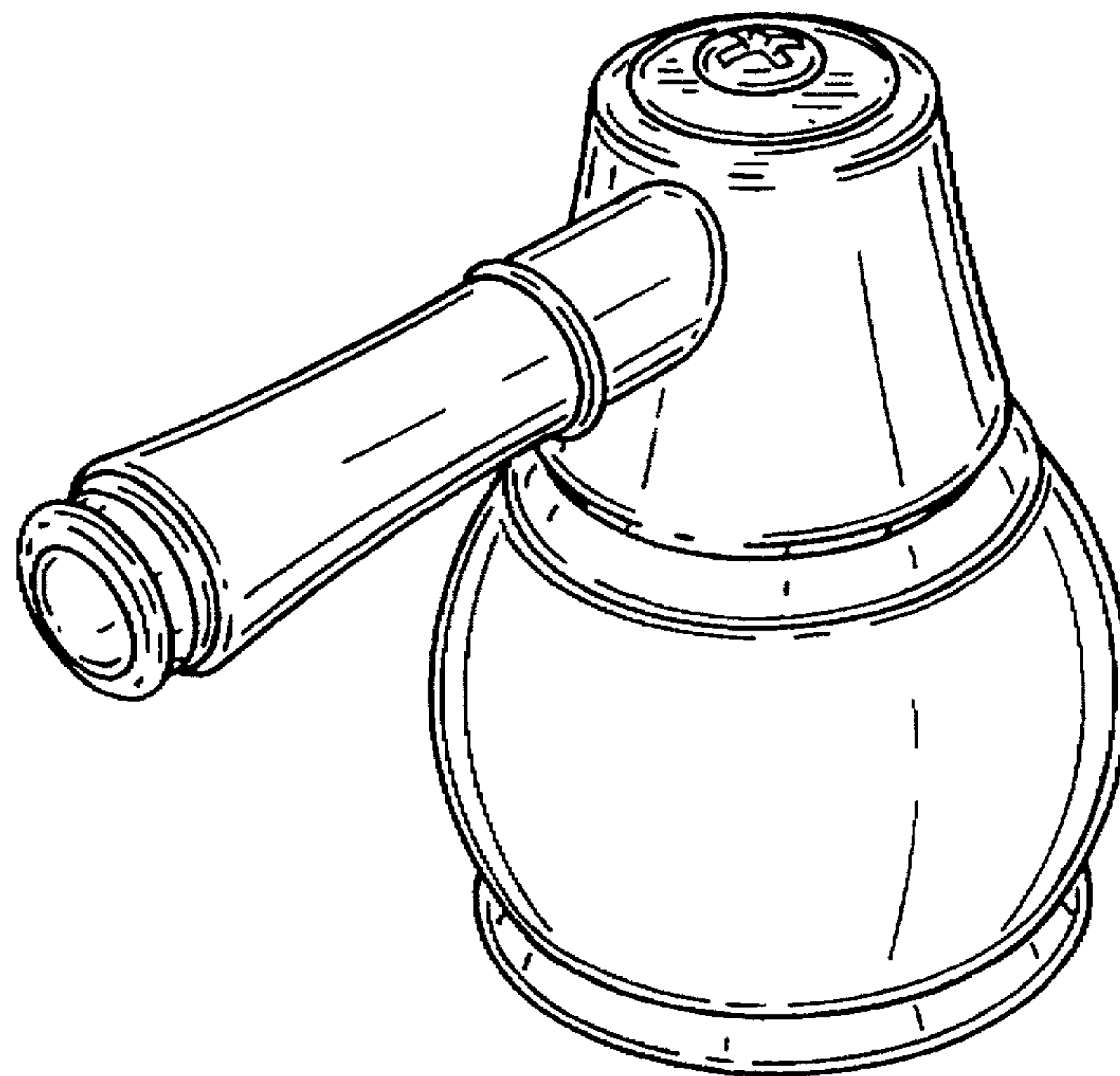
[57] **CLAIM**

The ornamental design for a faucet handle, as shown and described.

DESCRIPTION

FIG. 1 is a perspective view of a faucet handle showing our new design;
 FIG. 2 is a front elevational view thereof;
 FIG. 3 is a rear elevational view thereof;
 FIG. 4 is a left side elevational view thereof;
 FIG. 5 is a right side elevational view thereof;
 FIG. 6 is a top plan view thereof;
 FIG. 7 is a bottom plan view thereof;
 FIG. 8 is a perspective view of a faucet handle showing another embodiment of our new design;
 FIG. 9 is a front elevational view of the faucet handle shown in FIG. 8;
 FIG. 10 is a rear elevational view of the faucet handle shown in FIG. 8;
 FIG. 11 is a left side elevational view of the faucet handle shown in FIG. 8;
 FIG. 12 is a right side elevational view of the faucet handle shown in FIG. 8;
 FIG. 13 is a top plan view of the faucet handle shown in FIG. 8; and,
 FIG. 14 is a bottom plan view of the faucet handle shown in FIG. 8.

1 Claim, 8 Drawing Sheets



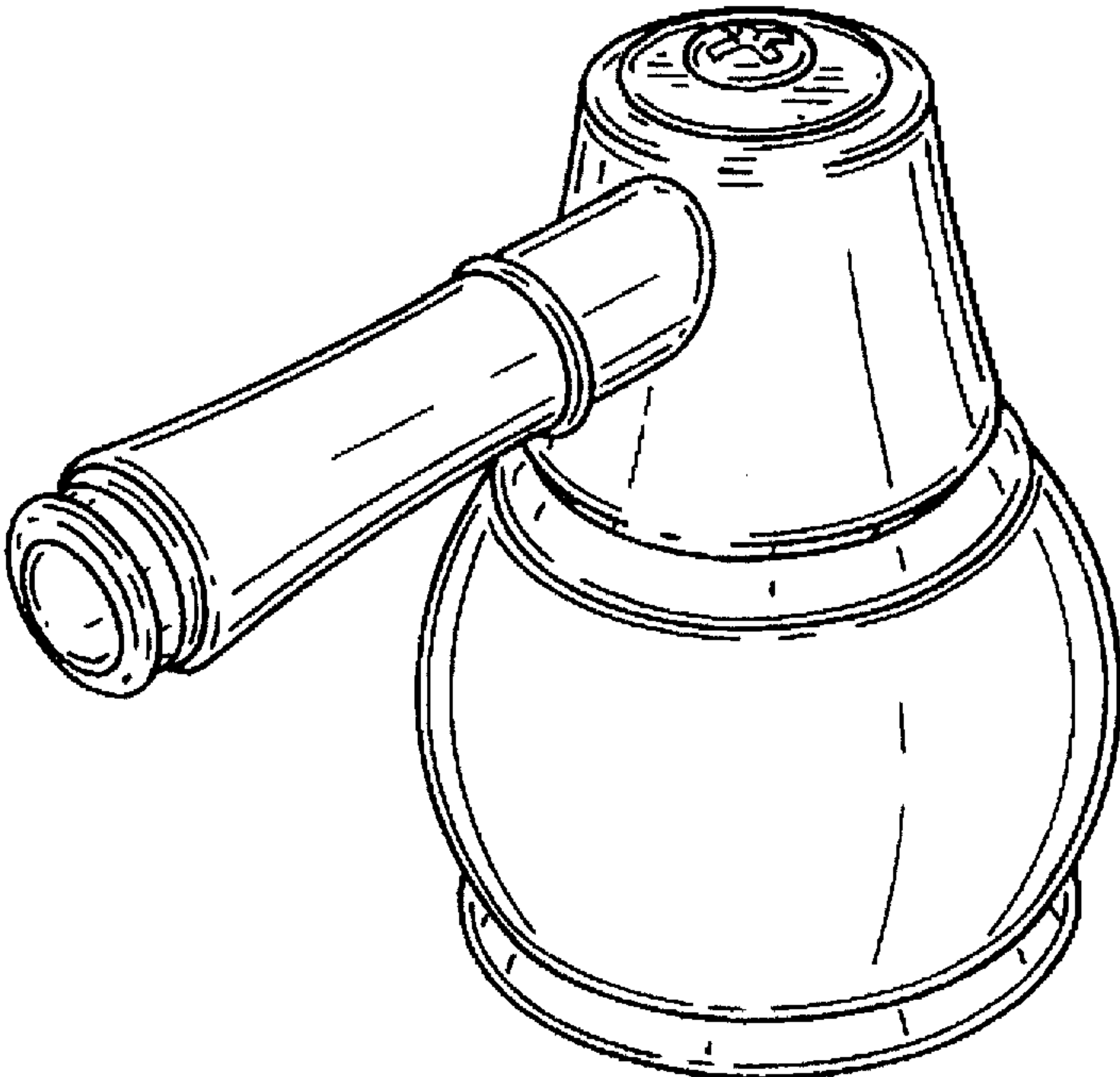


FIG. 1

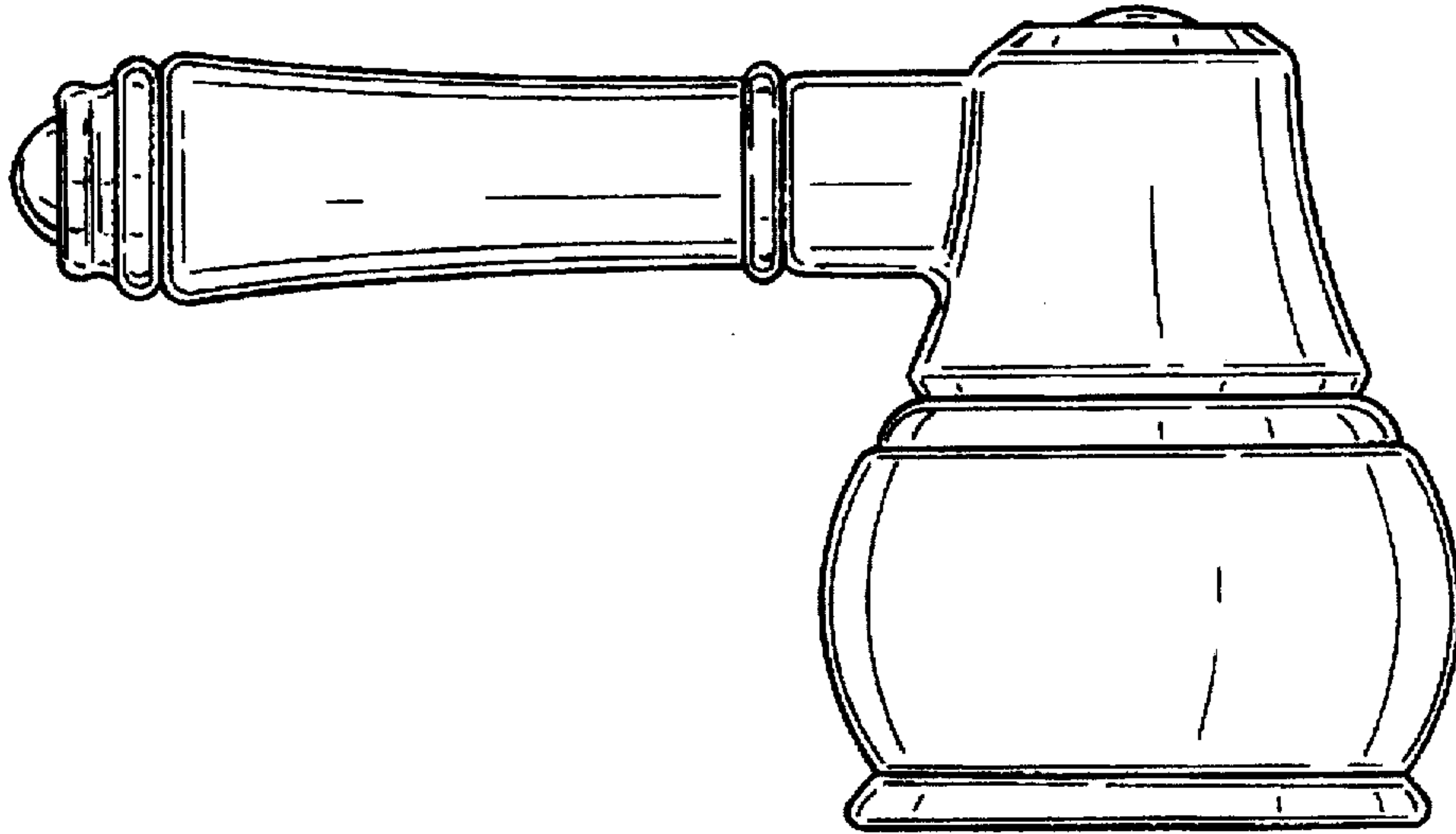


FIG. 2

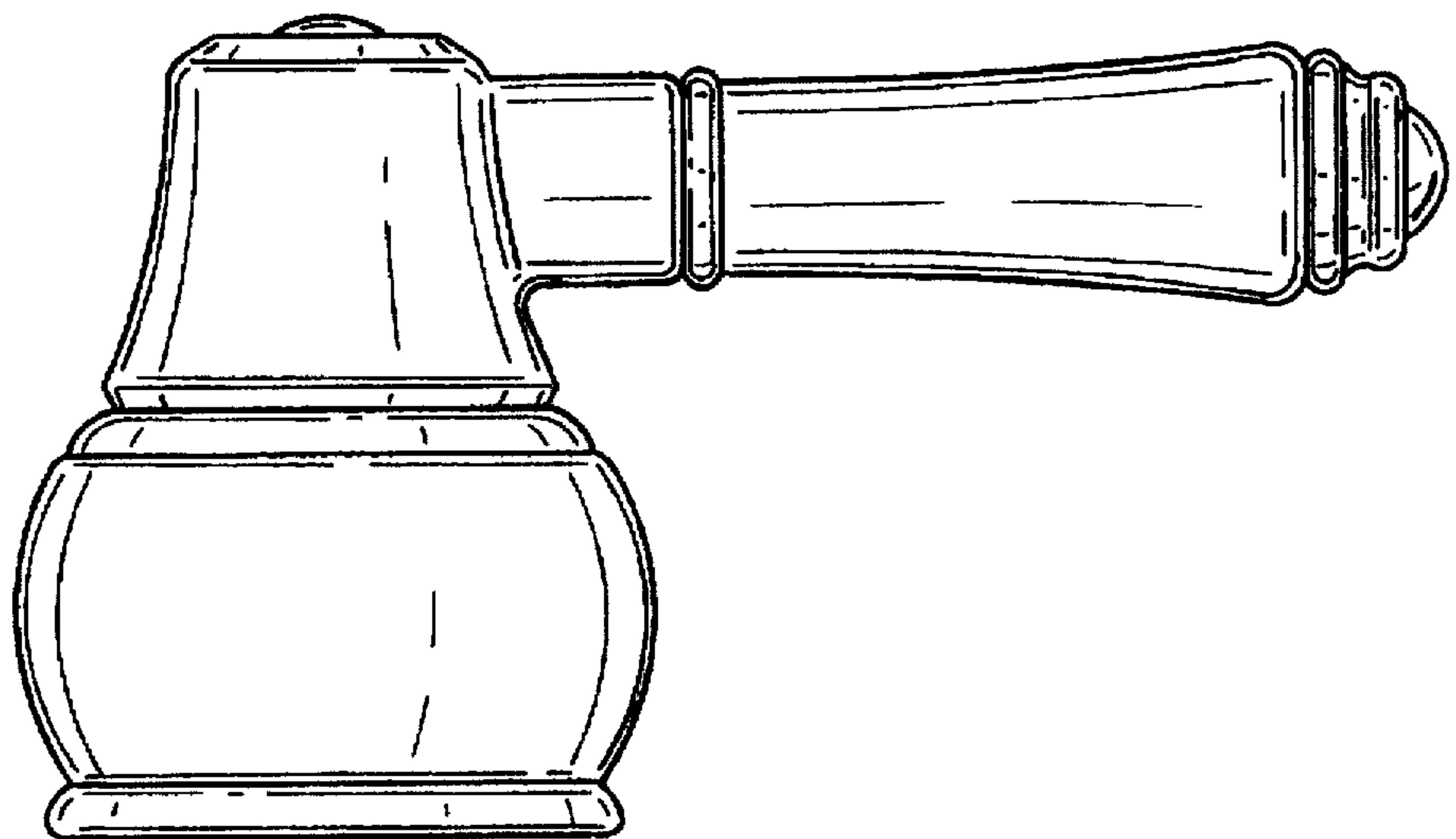


FIG. 3

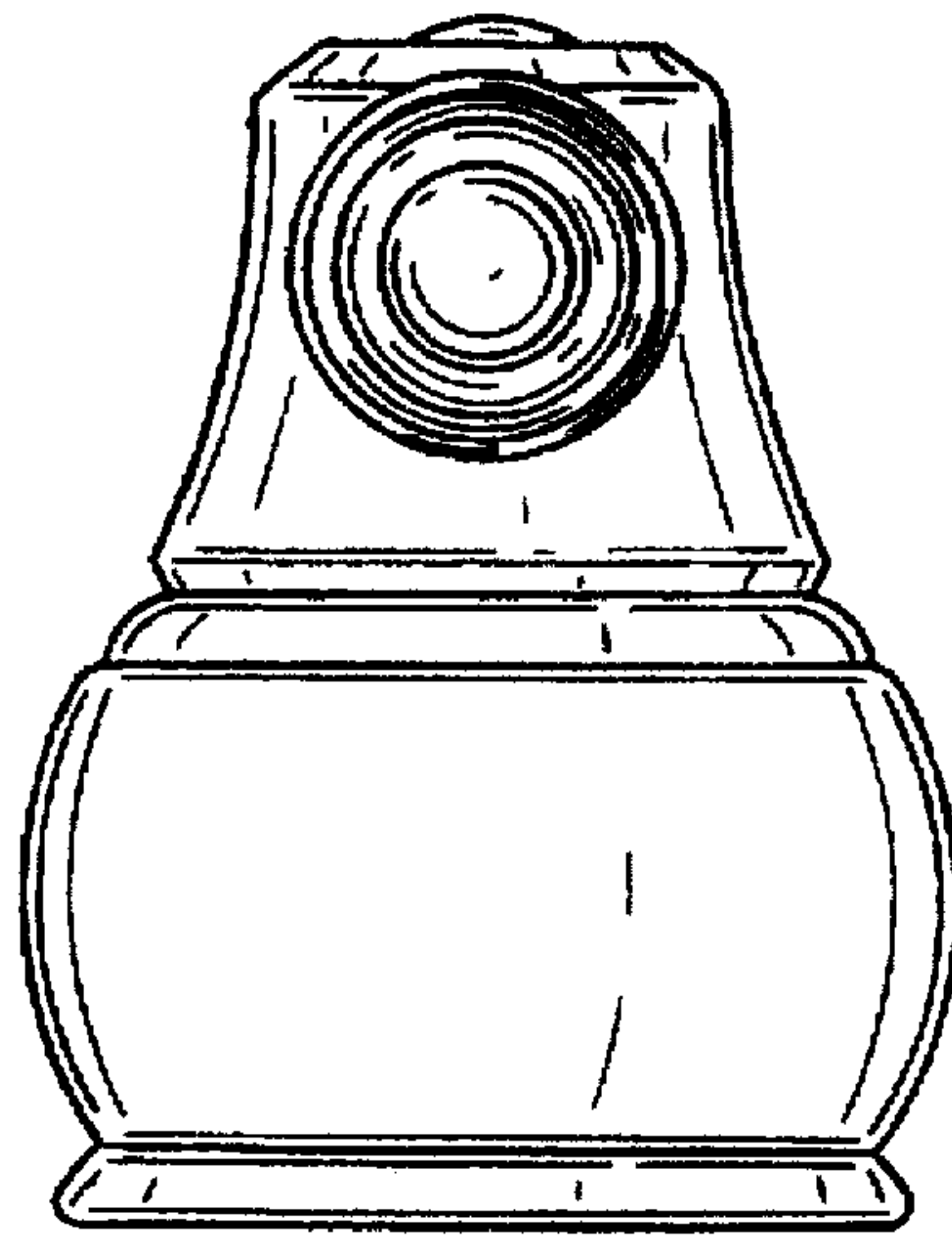


FIG. 4

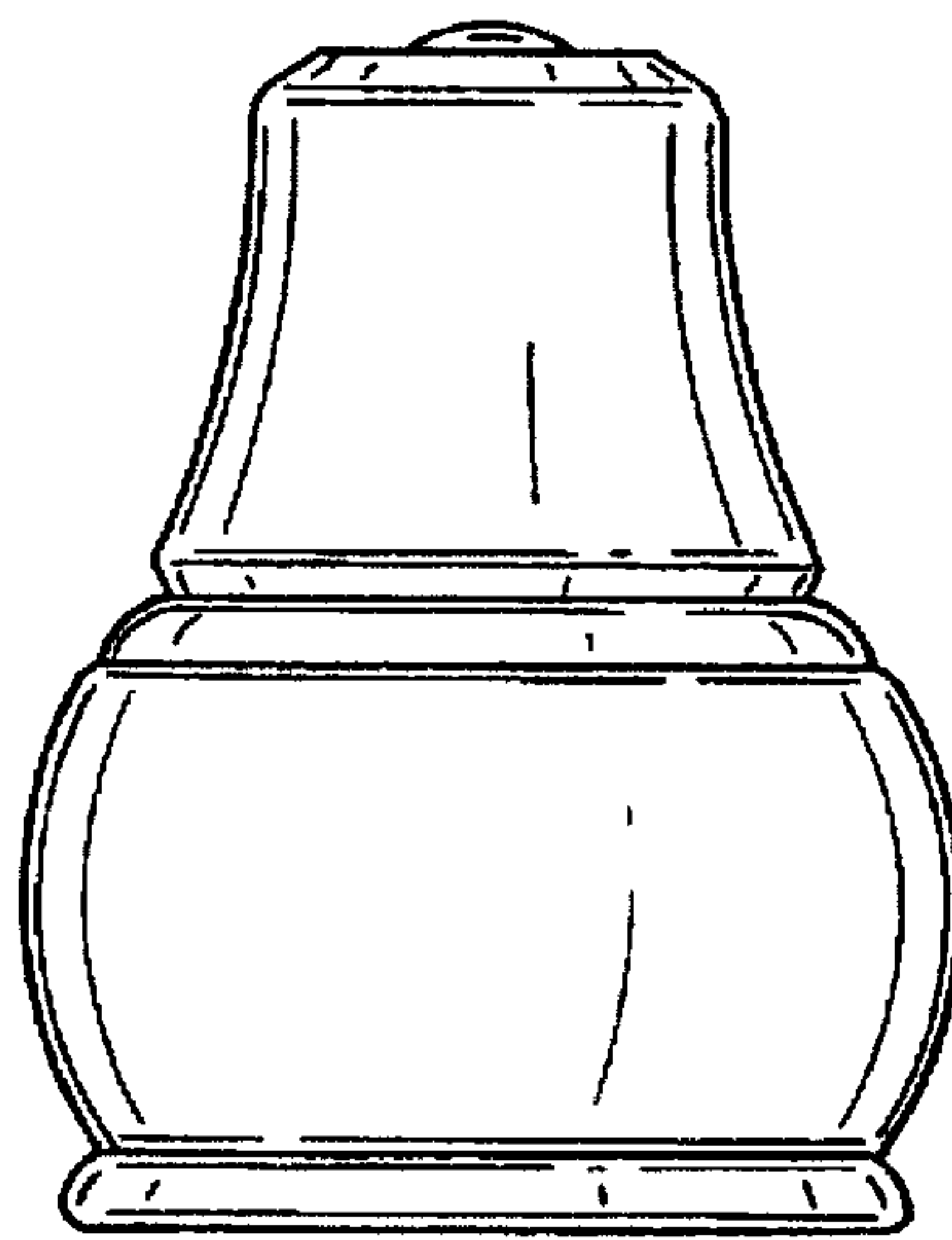


FIG. 5

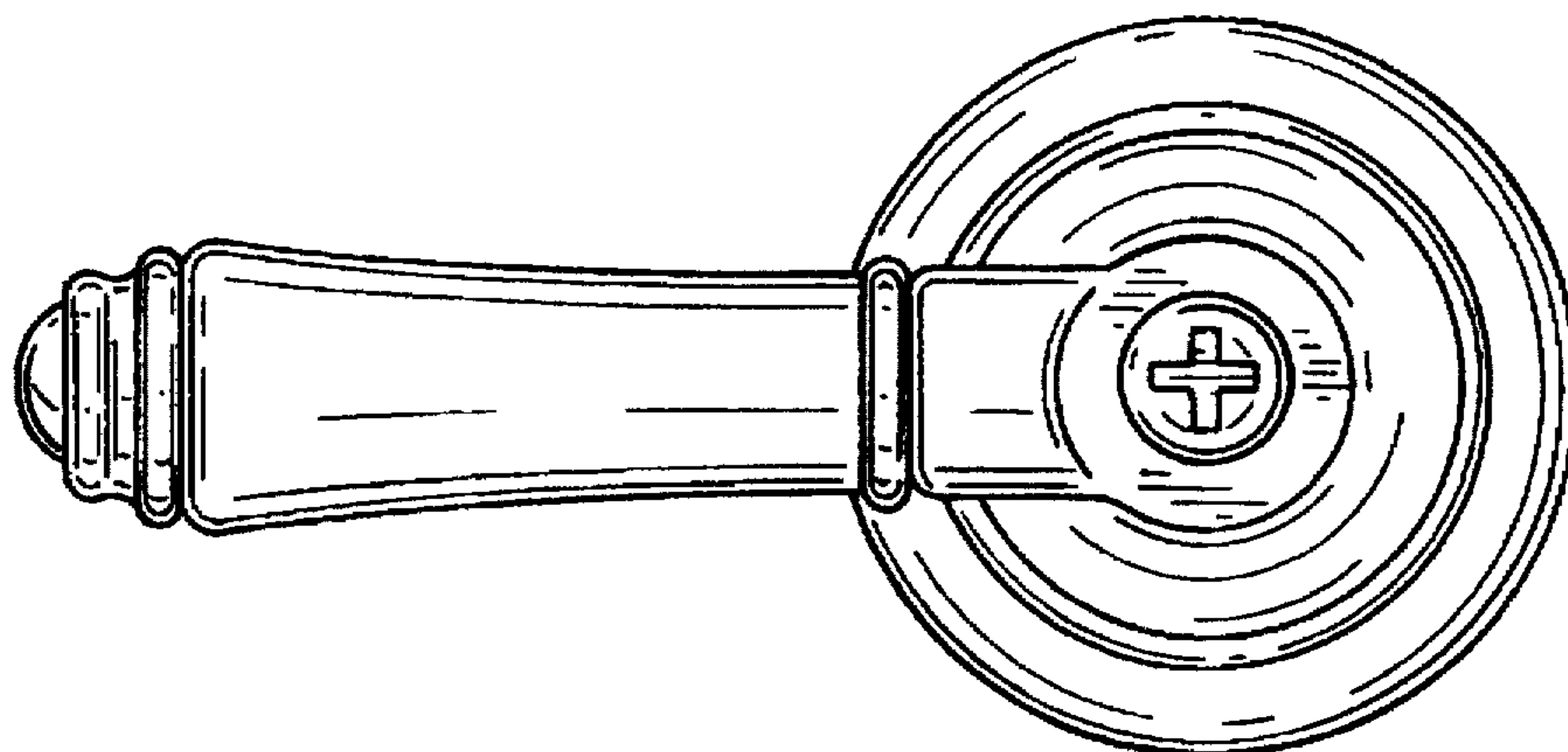


FIG. 6

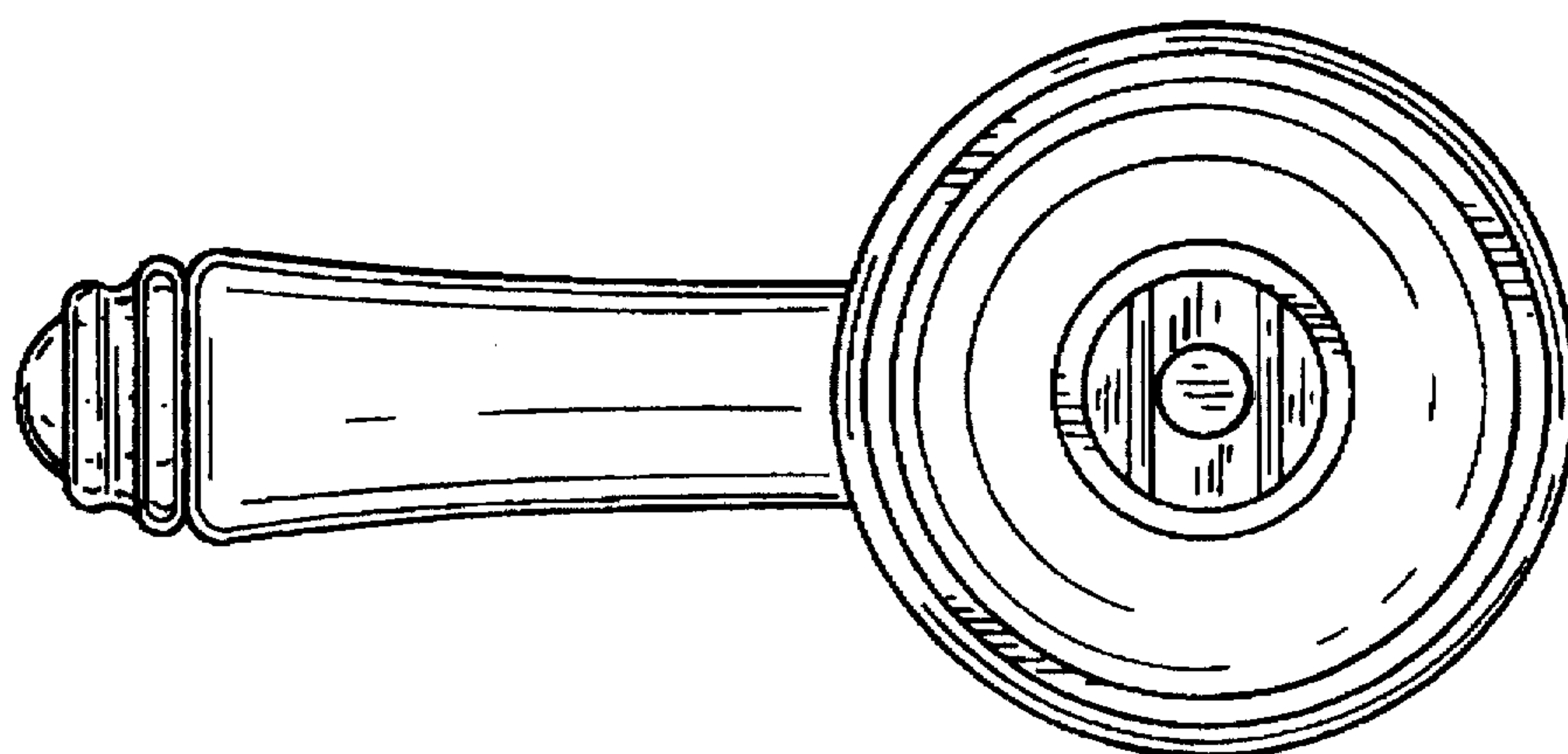


FIG. 7

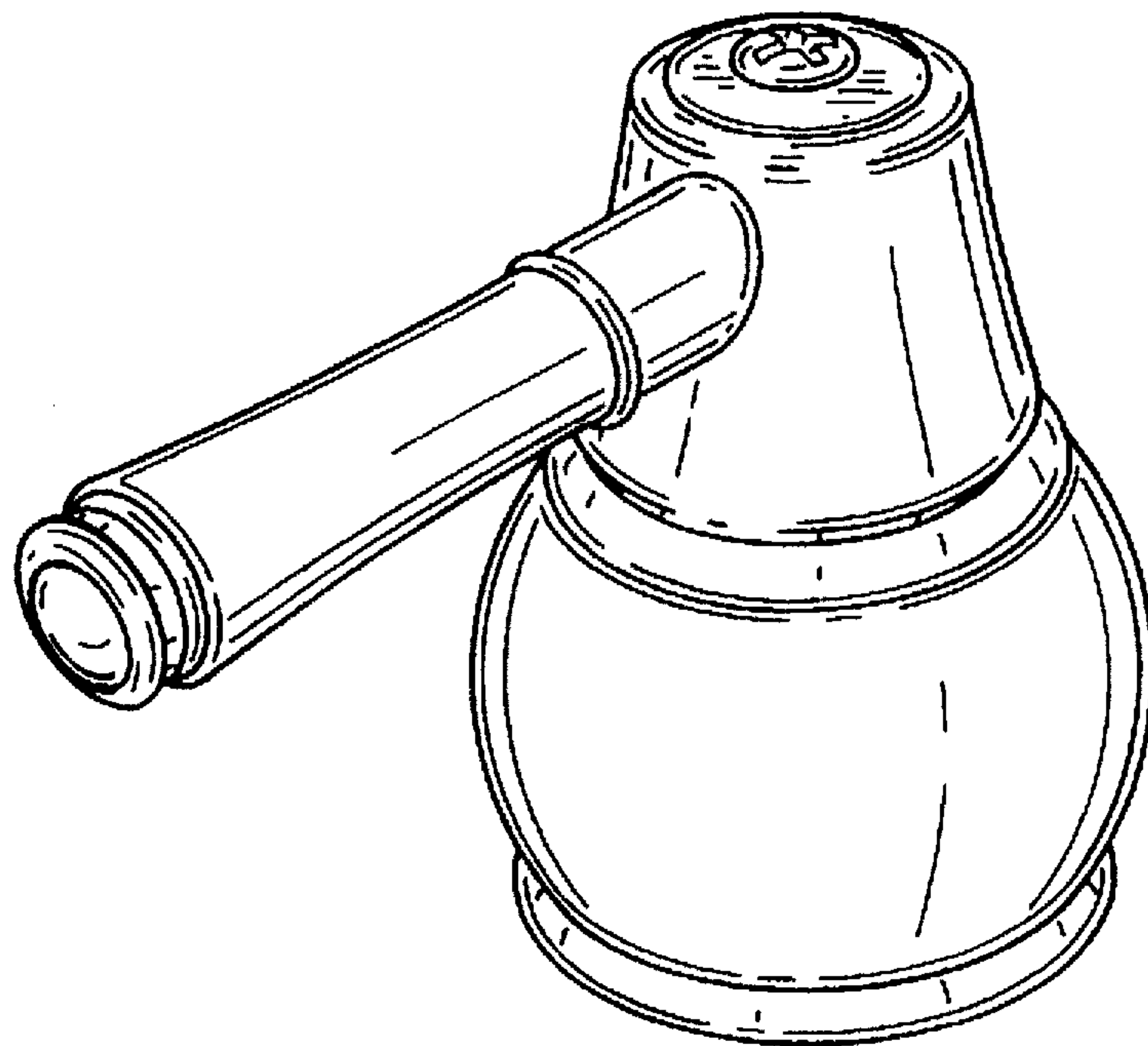


FIG. 8

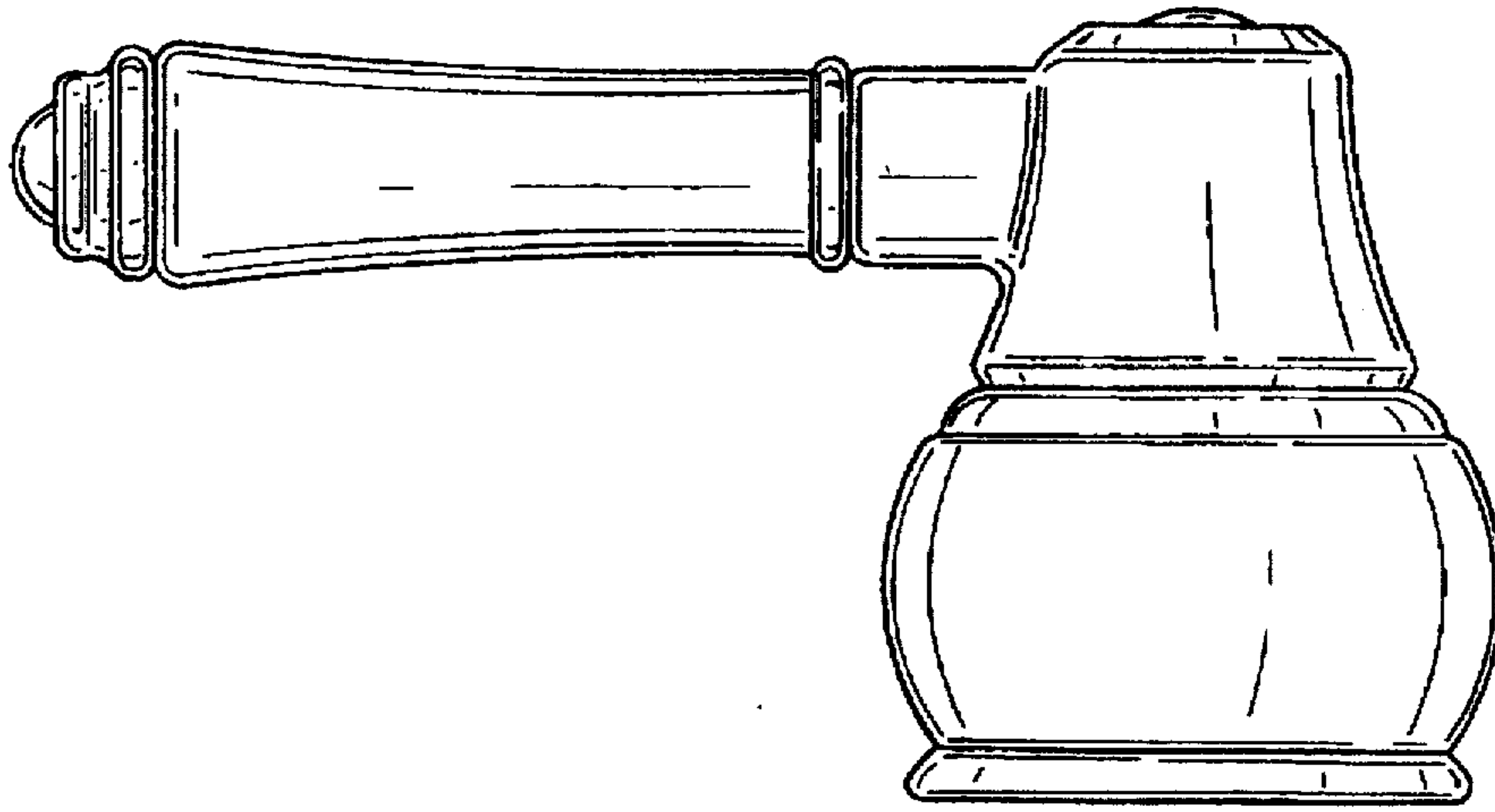


FIG. 9

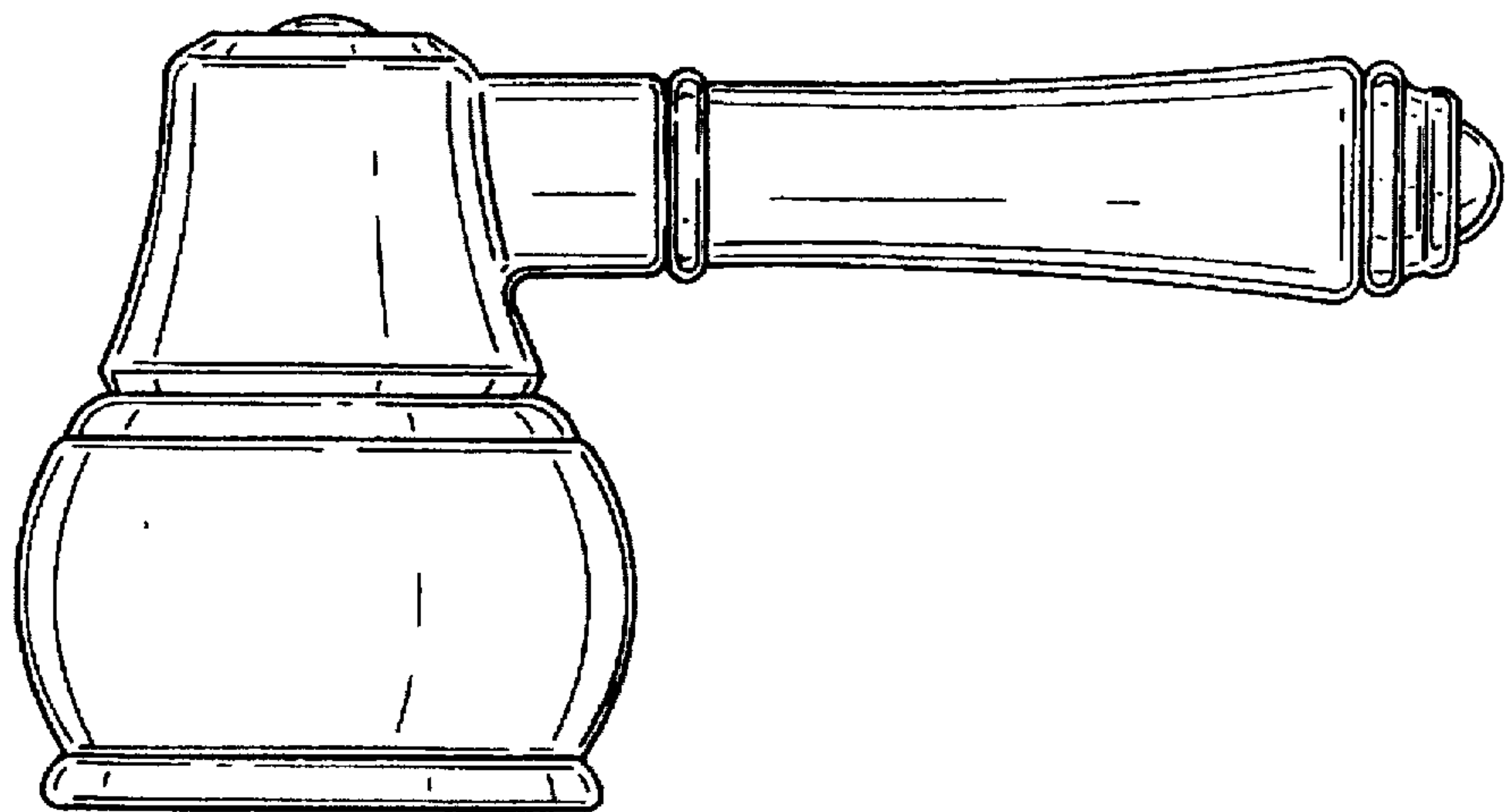


FIG. 10

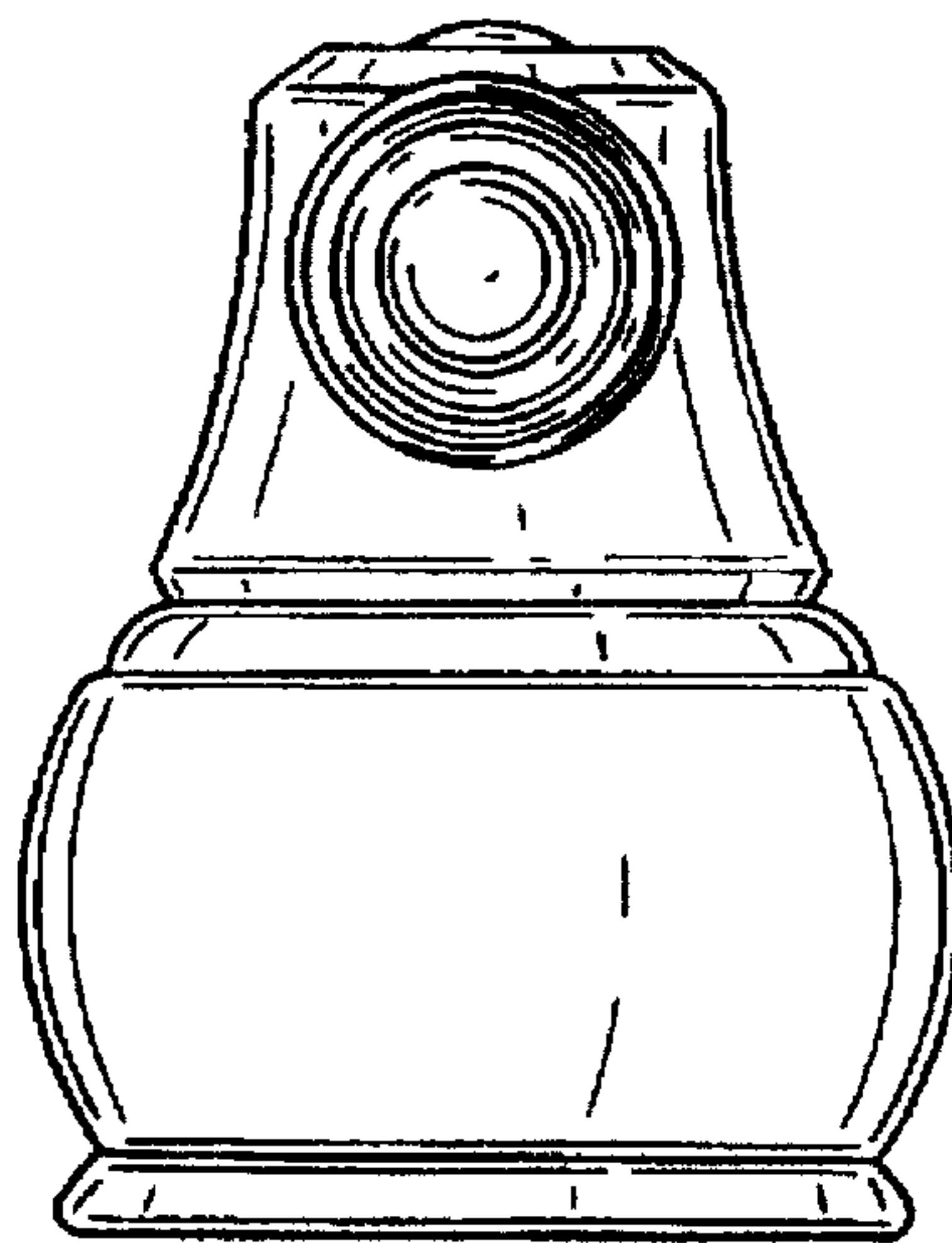


FIG. 11

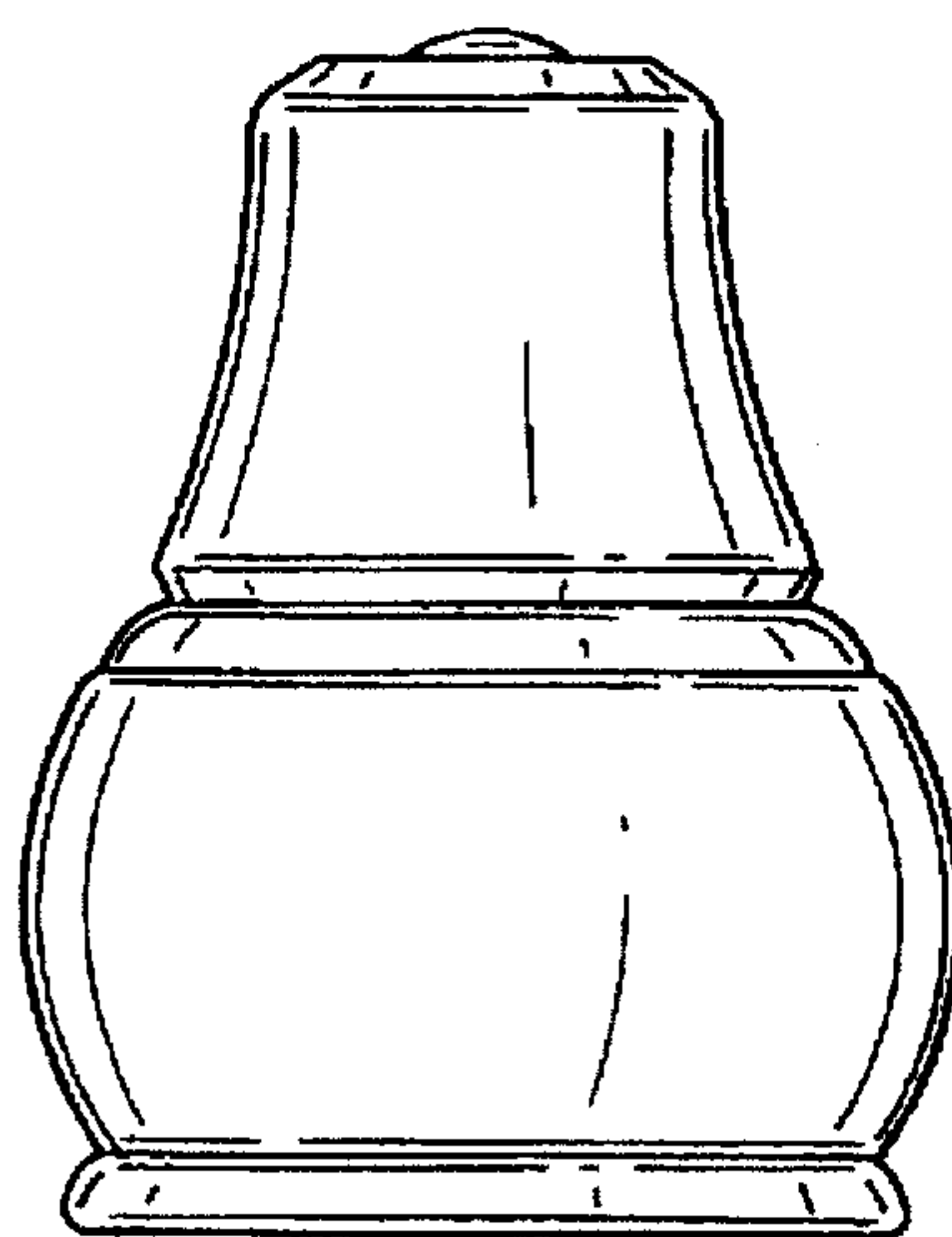


FIG. 12

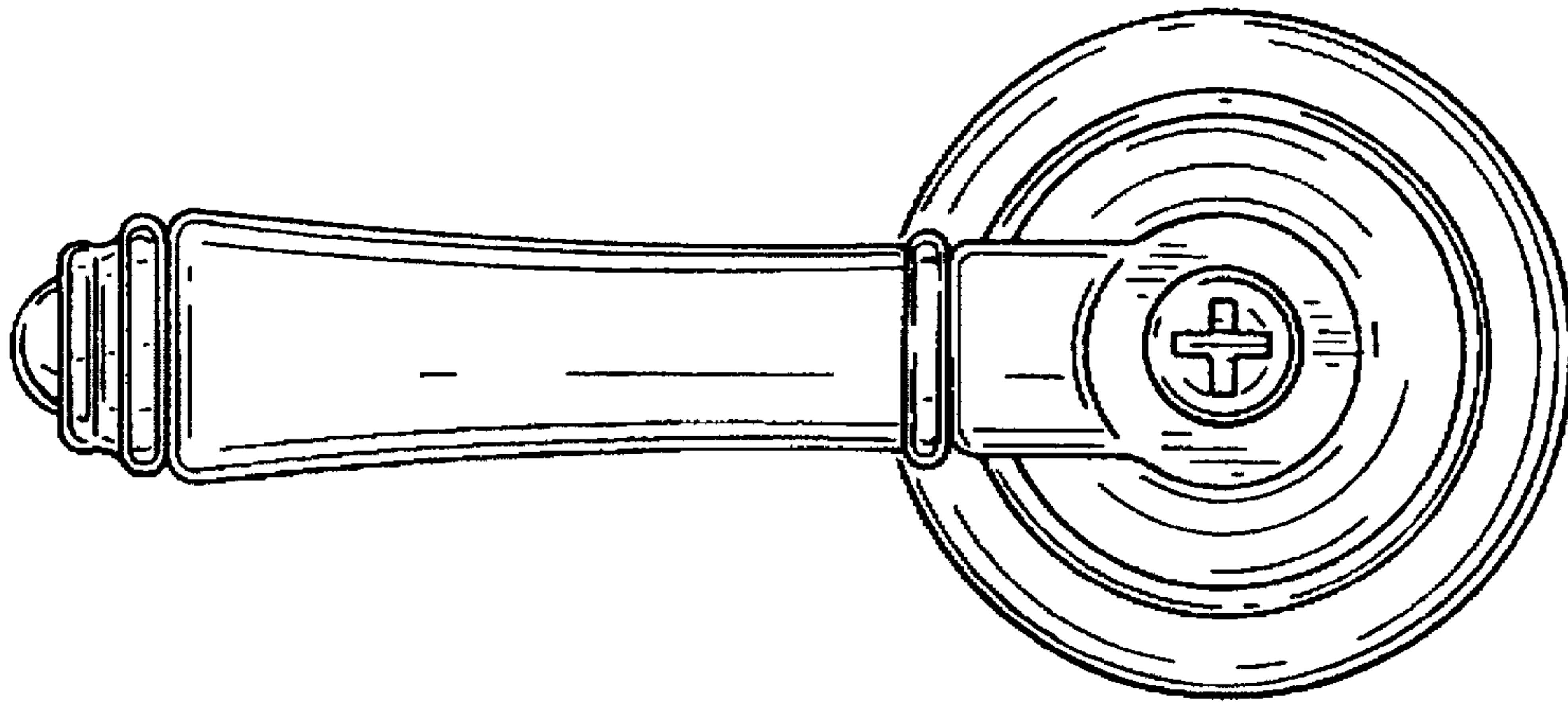


FIG. 13

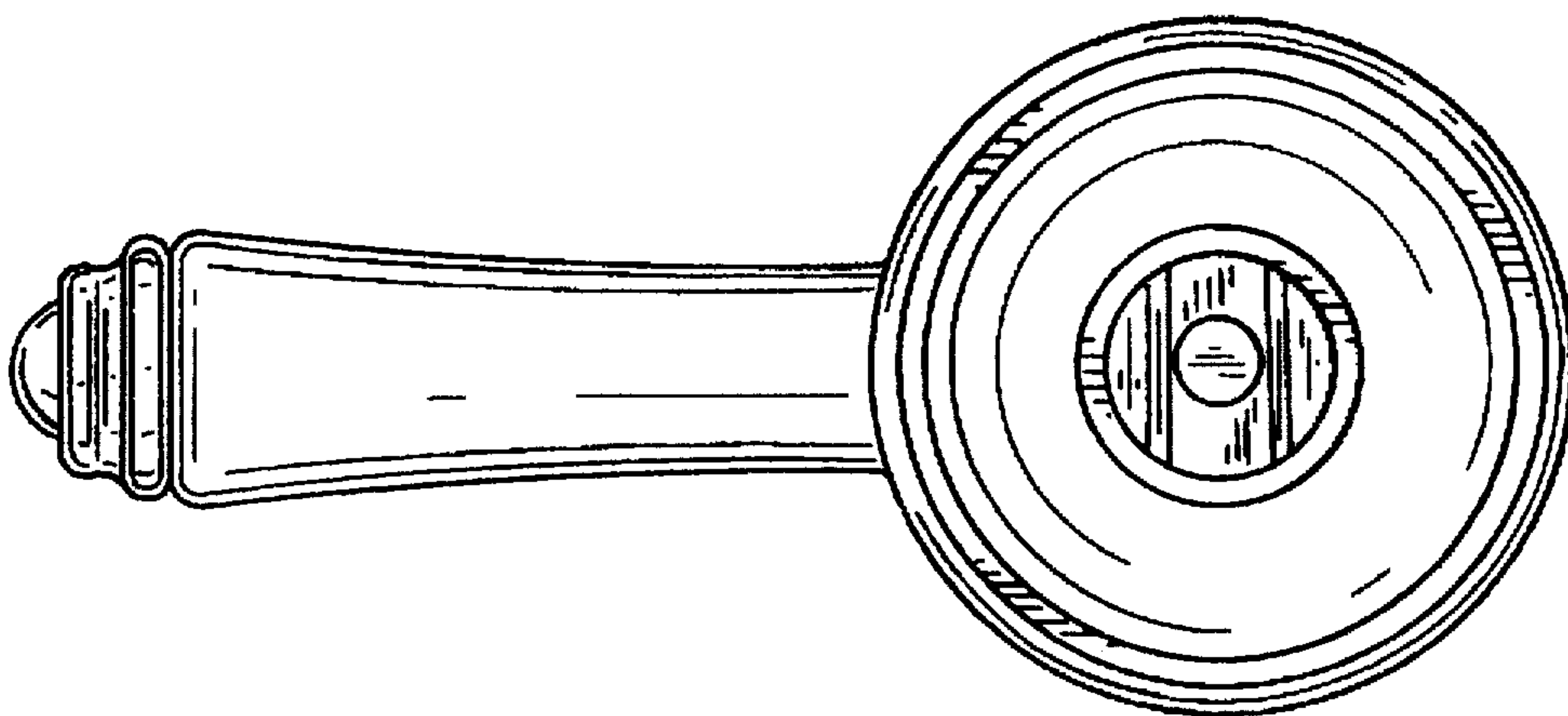


FIG. 14