



US00D390920S

United States Patent [19]
Lobermeier

[11] **Patent Number: Des. 390,920**
[45] **Date of Patent: **Feb. 17, 1998**

[54] **LEVER-HANDLE BATHTUB FAUCET**

[75] **Inventor: Hans Lobermeier, Menden, Germany**

[73] **Assignee: Friedrich Grohe AG, Hemer, Germany**

[**] **Term: 14 Years**

[21] **Appl. No.: 70,449**

[22] **Filed: May 8, 1997**

[30] **Foreign Application Priority Data**

Nov. 19, 1996 [DE] Germany M 96 09 980.1

[51] **LOC (6) Cl. 23-01**

[52] **U.S. Cl. D23/238**

[58] **Field of Search D23/238-243,
D23/250-257; 4/675-678; 137/801**

[56] **References Cited**

U.S. PATENT DOCUMENTS

D. 315,194 3/1991 Haug et al. D23/238

D. 372,518 8/1996 Gottwold D23/238
D. 375,784 11/1996 Gottwold D23/238
D. 378,774 4/1997 Korgoet D23/238

Primary Examiner—Louis S. Zarfaz
Assistant Examiner—Eric Watterson
Attorney, Agent, or Firm—Herbert Dubno

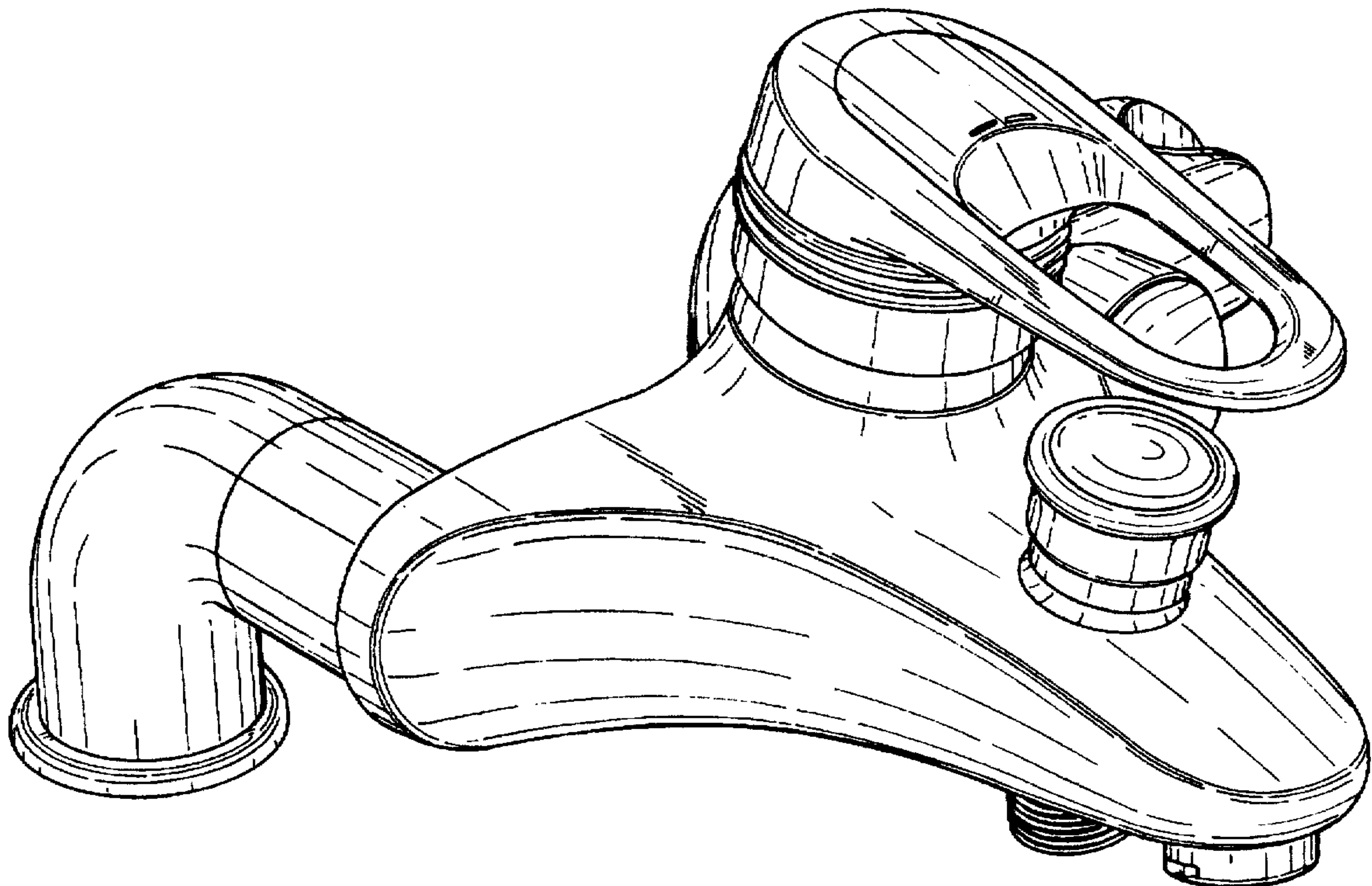
[57] **CLAIM**

The ornamental design for a lever-handle bathtub faucet, as shown.

DESCRIPTION

FIG. 1 is a top, front, left-side perspective view of a lever-handle bathtub faucet showing my new design; FIG. 2 is a left side elevational view thereof; FIG. 3 is a top view thereof; FIG. 4 is a front view thereof; FIG. 5 is a rear view thereof; FIG. 6 is a bottom view thereof; and, FIG. 7 is a right side elevational view thereof.

1 Claim, 7 Drawing Sheets



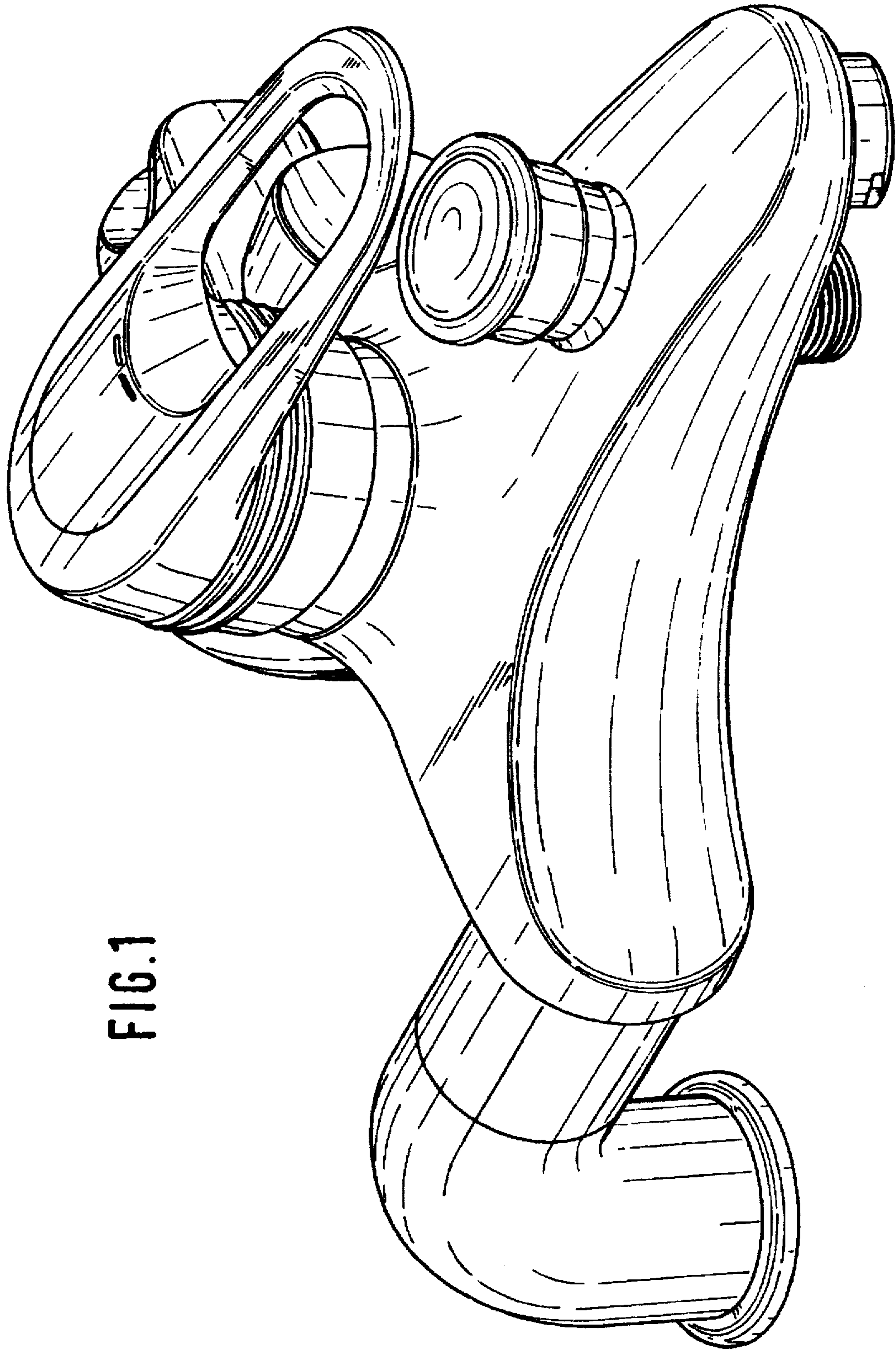


FIG. 1

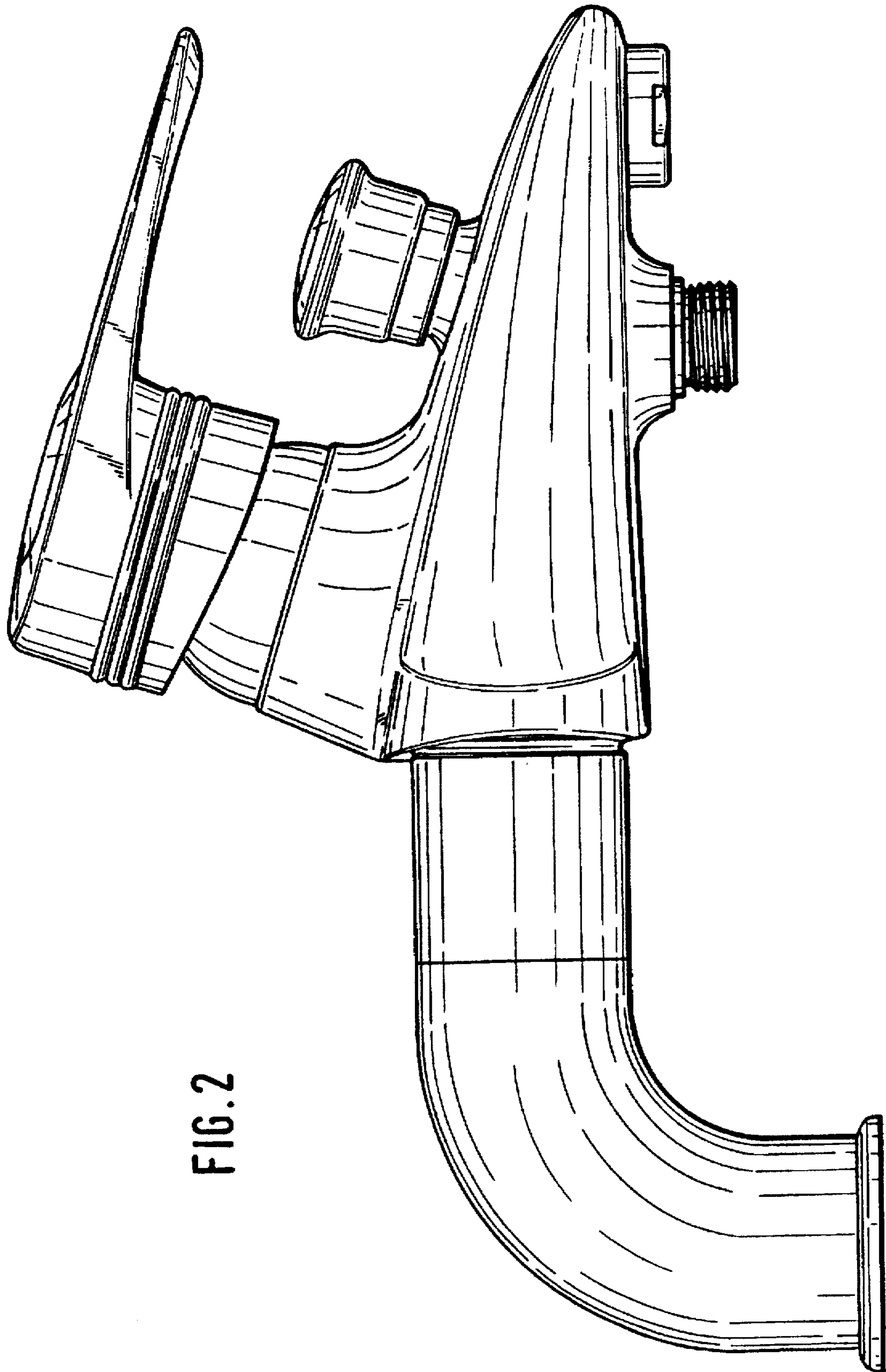


FIG. 2

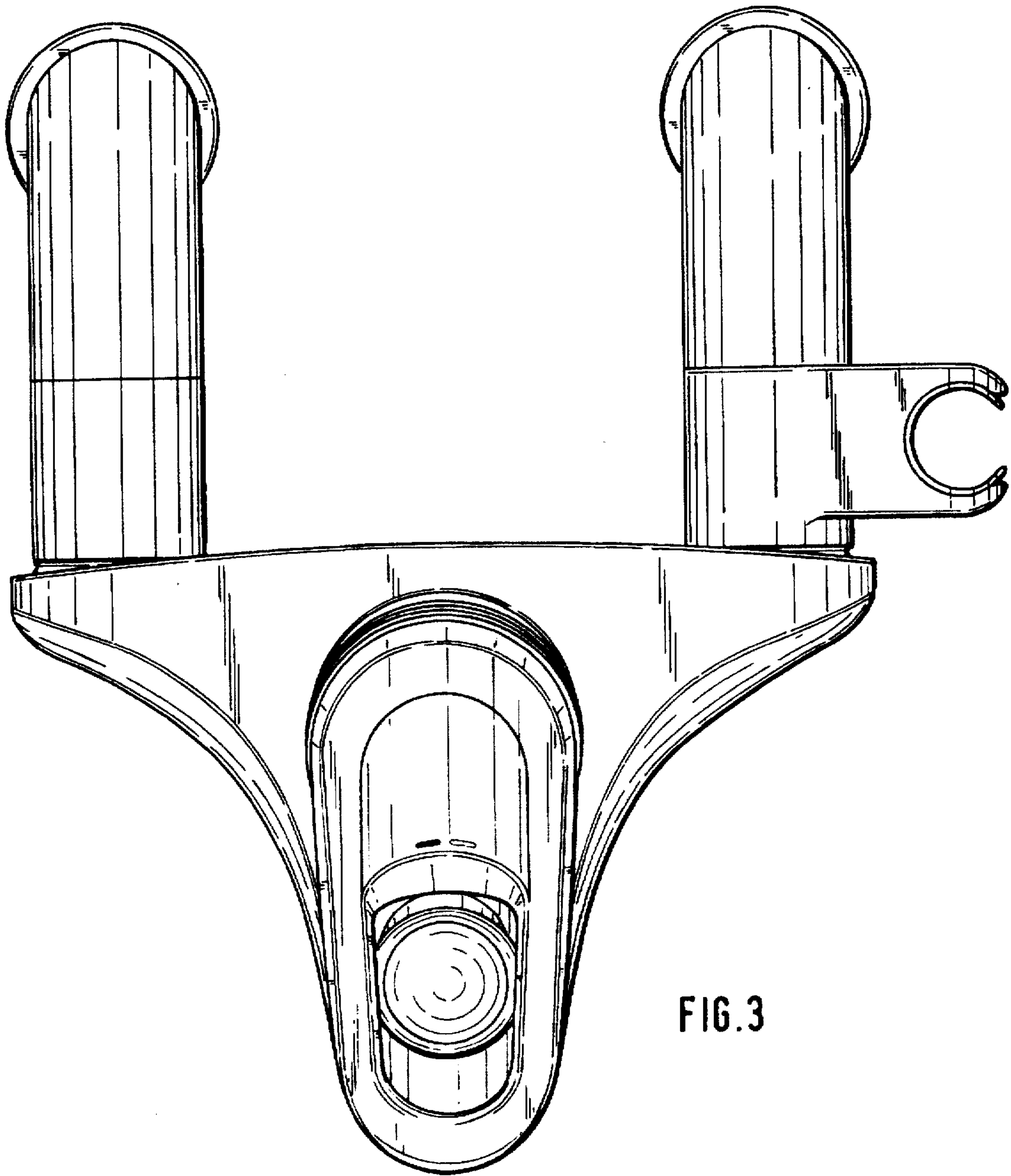
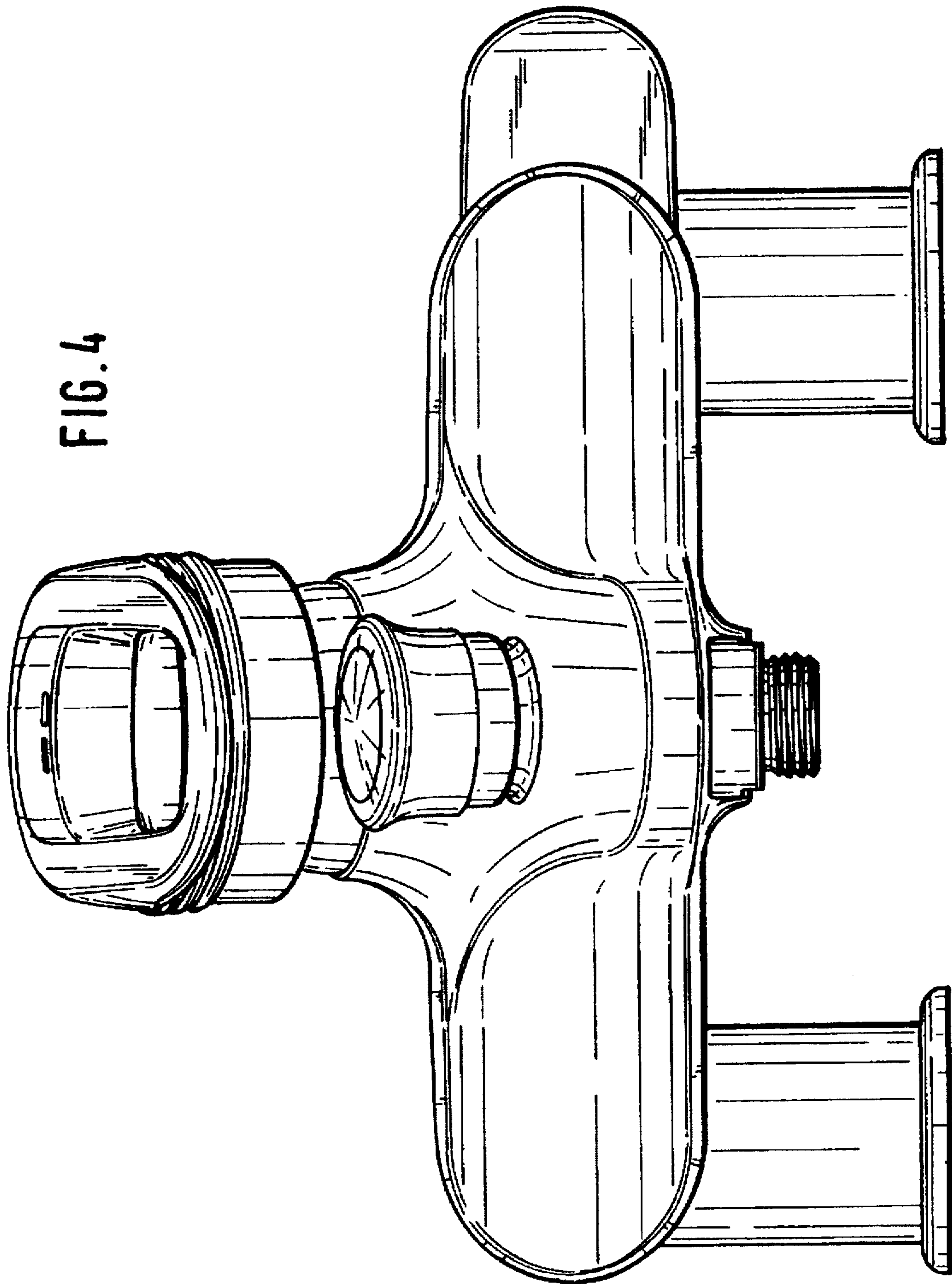


FIG. 3

FIG. 4



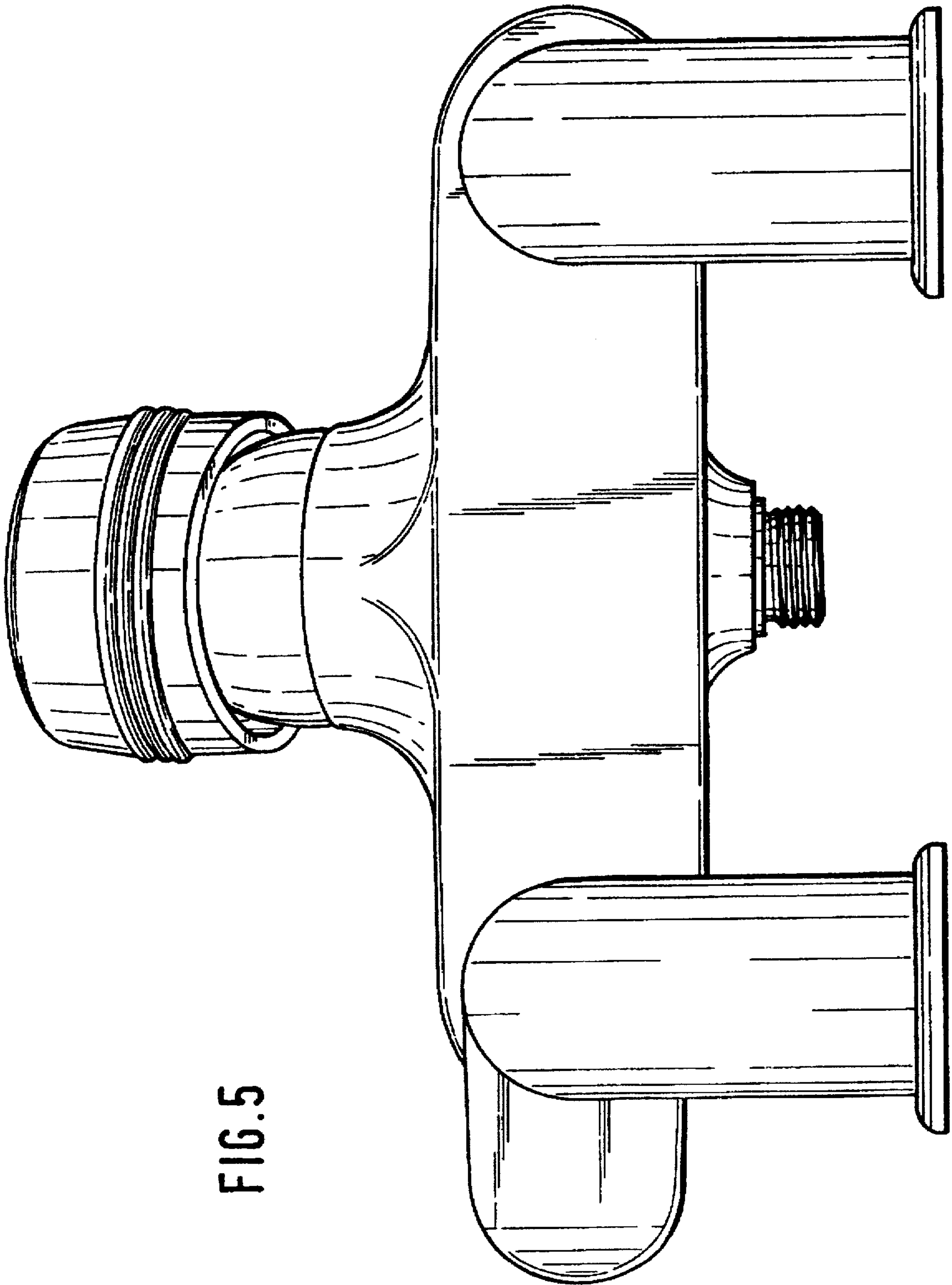


FIG. 5

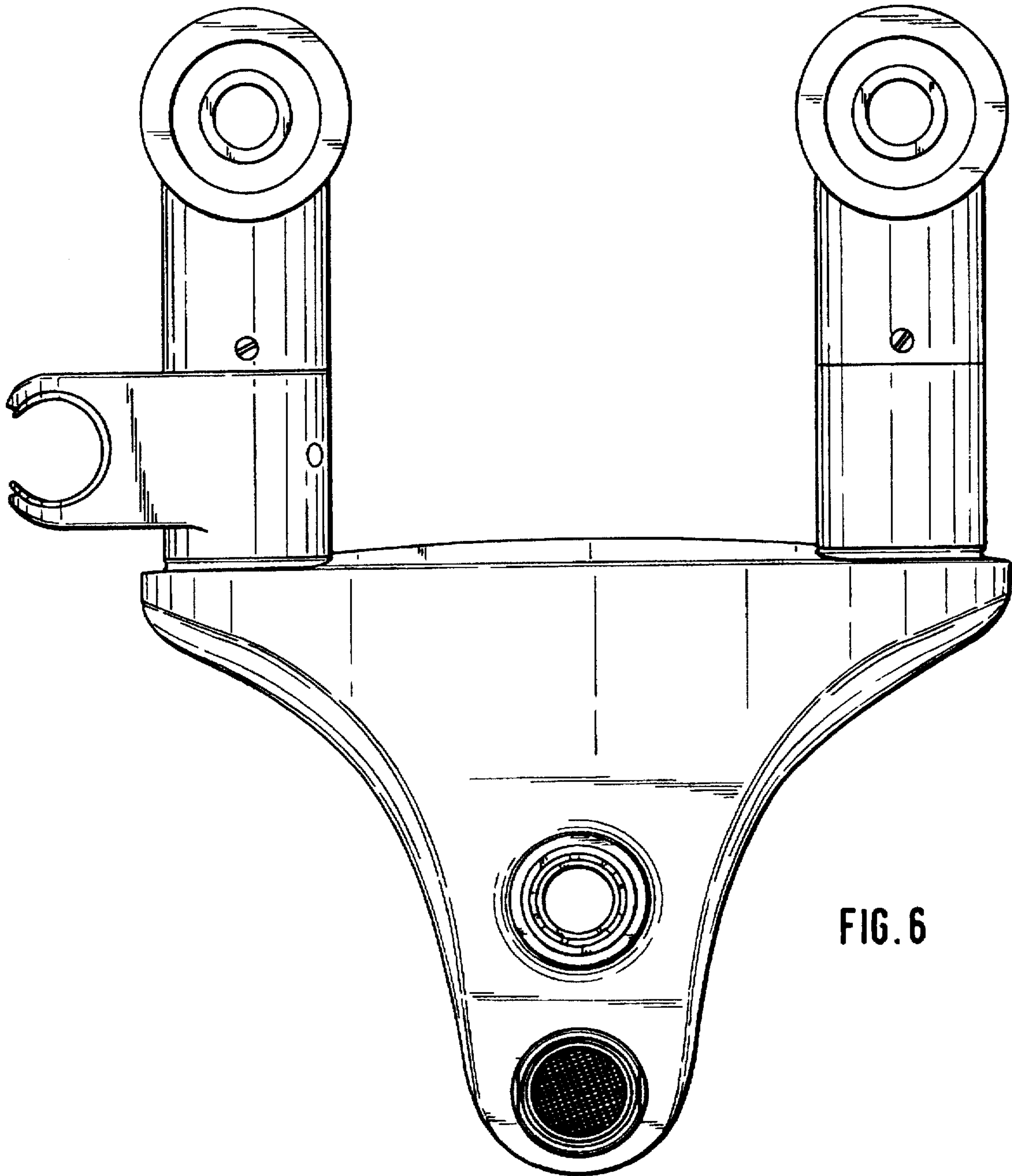


FIG. 6

FIG. 7

