



US00D390917S

United States Patent [19]
Kergoet

[11] **Patent Number: Des. 390,917**
[45] **Date of Patent: **Feb. 17, 1998**

[54] **FAUCET**
[75] **Inventor: Francois Kergoet, Malakoff, France**
[73] **Assignee: Jacob Delafon, Paris, France**
[**] **Term: 14 Years**

Primary Examiner—Louis S. Zarfes
Assistant Examiner—Eric Watterson
Attorney, Agent, or Firm—Quarles & Brady

[21] **Appl. No.: 66,925**
[22] **Filed: Feb. 24, 1997**
[51] **LOC (6) Cl. 23-01**
[52] **U.S. Cl. D23/238**
[58] **Field of Search D23/238-243,**
D23/250-257; 4/675-678; 137/801

[57] **CLAIM**
The ornamental design for a faucet, as shown and described.

DESCRIPTION

FIG. 1 is a left, top, front perspective view of a plumbing faucet embodying my new design;
FIG. 2 is a front elevational view thereof;
FIG. 3 is a top plan view thereof;
FIG. 4 is a left side elevational view thereof;
FIG. 5 is a right side elevational view thereof;
FIG. 6 is a rear elevational view thereof;
FIG. 7 is a bottom plan view thereof;
FIG. 8 is a right, top, front perspective view of a second embodiment, the front elevational view being a mirror image of that shown in FIG. 2, the right side elevational view being a mirror image of that shown in FIG. 4, the left side elevational view being a mirror image of that shown in FIG. 5, and the rear elevational view being a mirror image of that shown in FIG. 6; and,
FIG. 9 is a top plan view thereof.
The broken line representations of holes in FIGS. 2, 4, and 6 are for the purpose of illustration only, and form no part of the claimed design.

[56] **References Cited**
U.S. PATENT DOCUMENTS
D. 220,624 5/1971 Urban D23/241
D. 242,454 11/1976 Jones D23/241
D. 333,864 3/1993 Chretien D23/238
D. 347,264 5/1994 Gottwald D23/238
D. 375,784 11/1996 Gottwald D23/238
D. 378,774 4/1997 Kergoet D23/238
1,953,798 4/1934 De Grandcourt .

OTHER PUBLICATIONS
1995 Jacob Delafon catalog ad showing a "Tao 71228" faucet.
Undated Rapetti ad showing a "Diva" faucet.

1 Claim, 5 Drawing Sheets

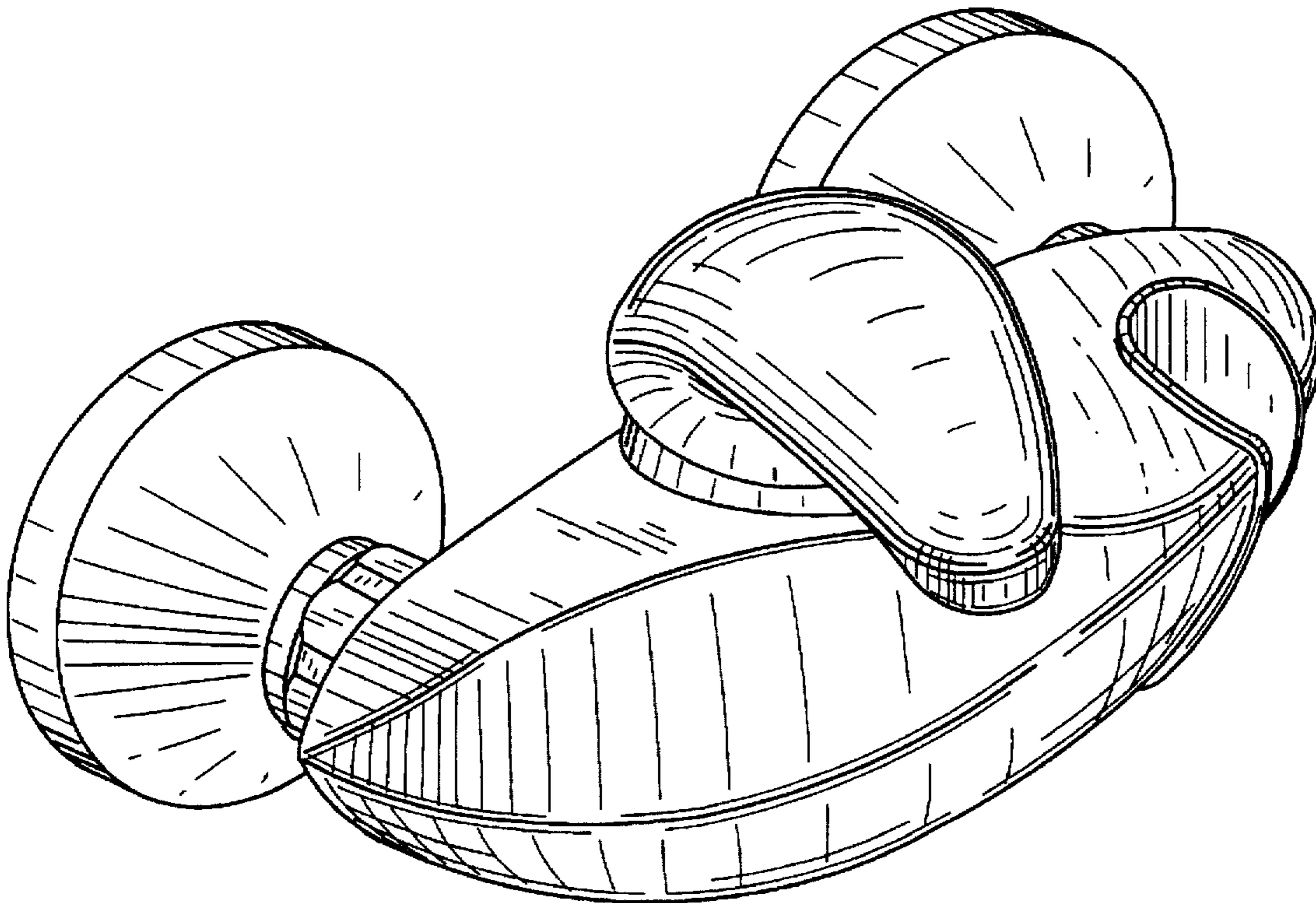


FIG. 1

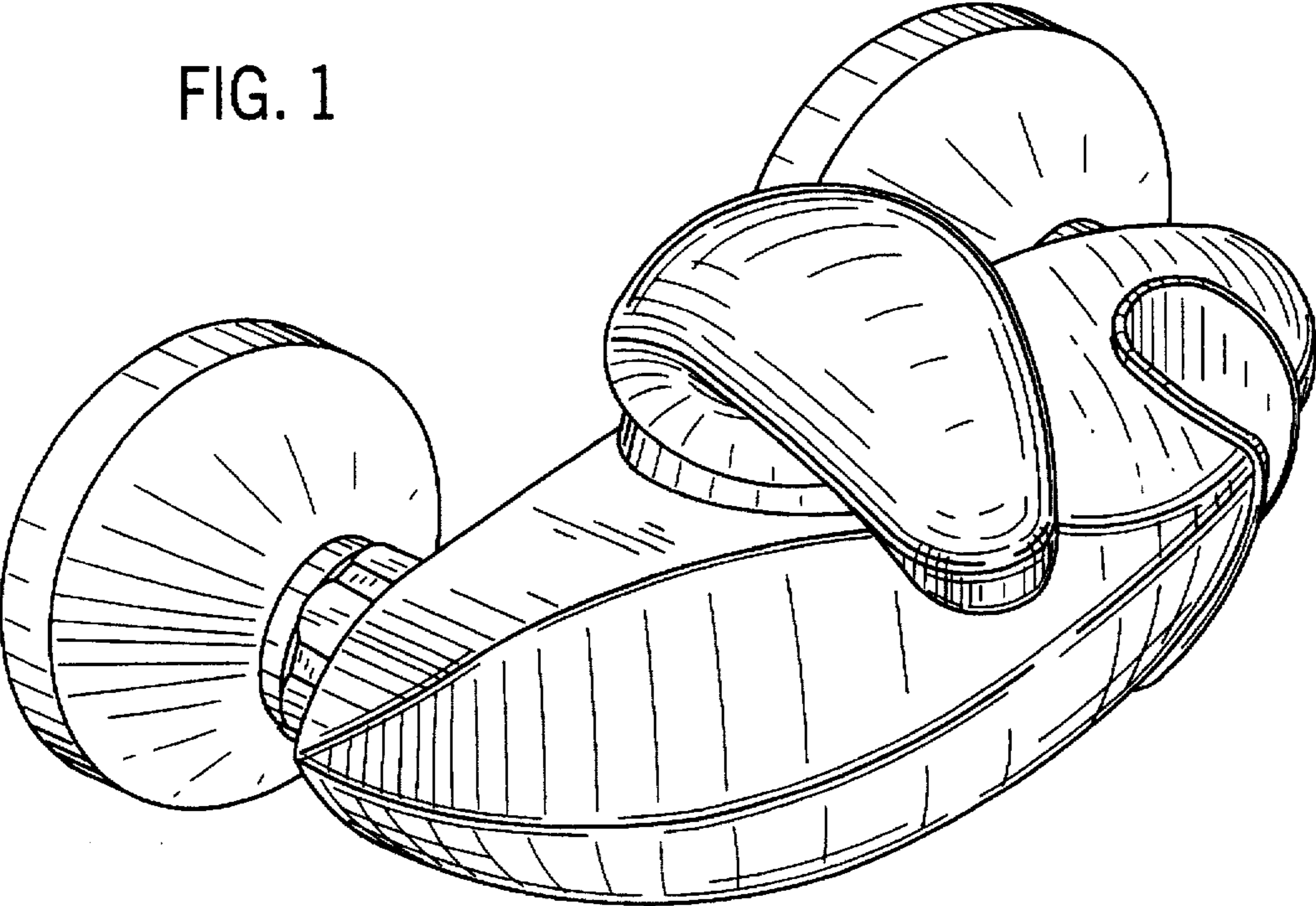


FIG. 2

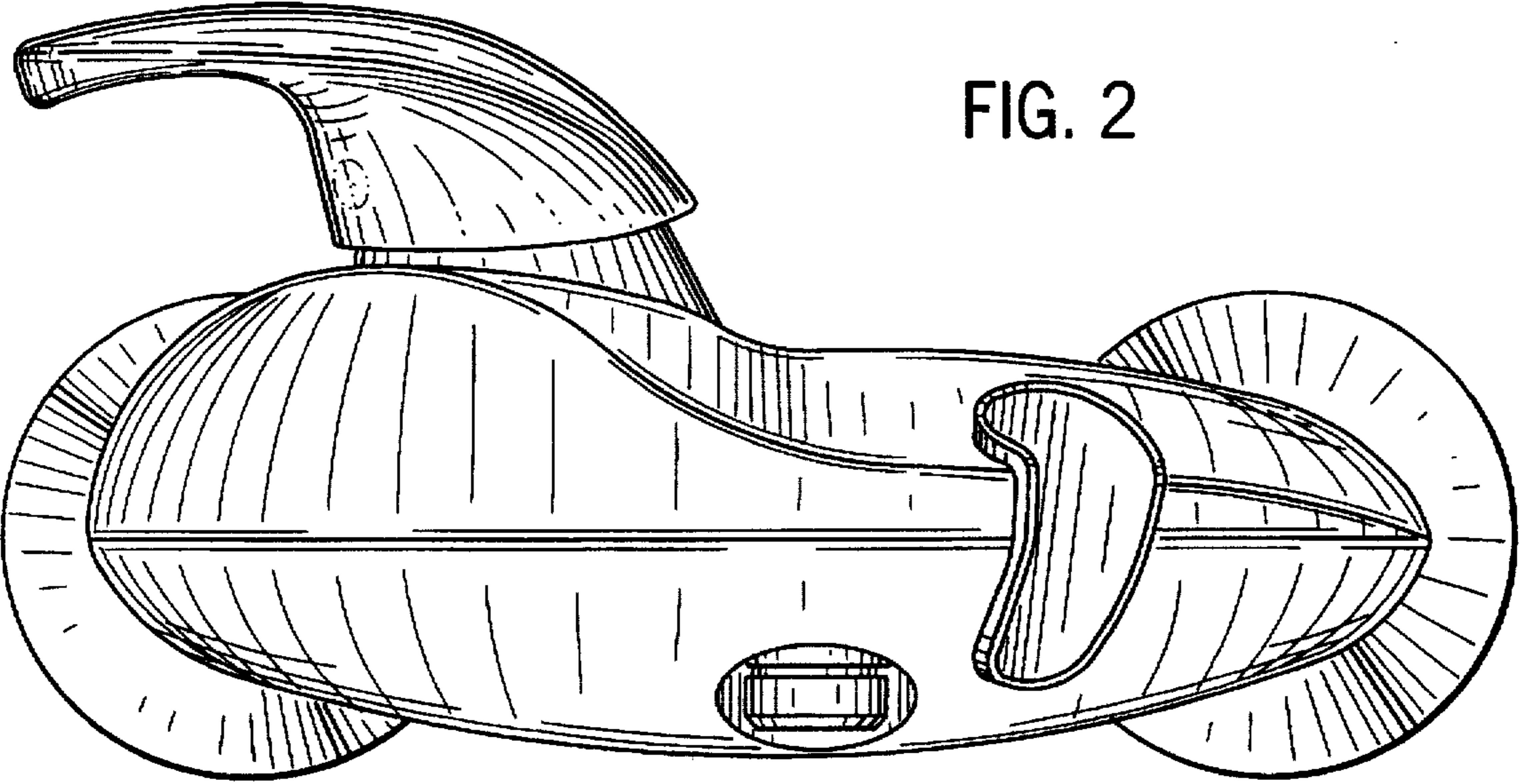


FIG. 3

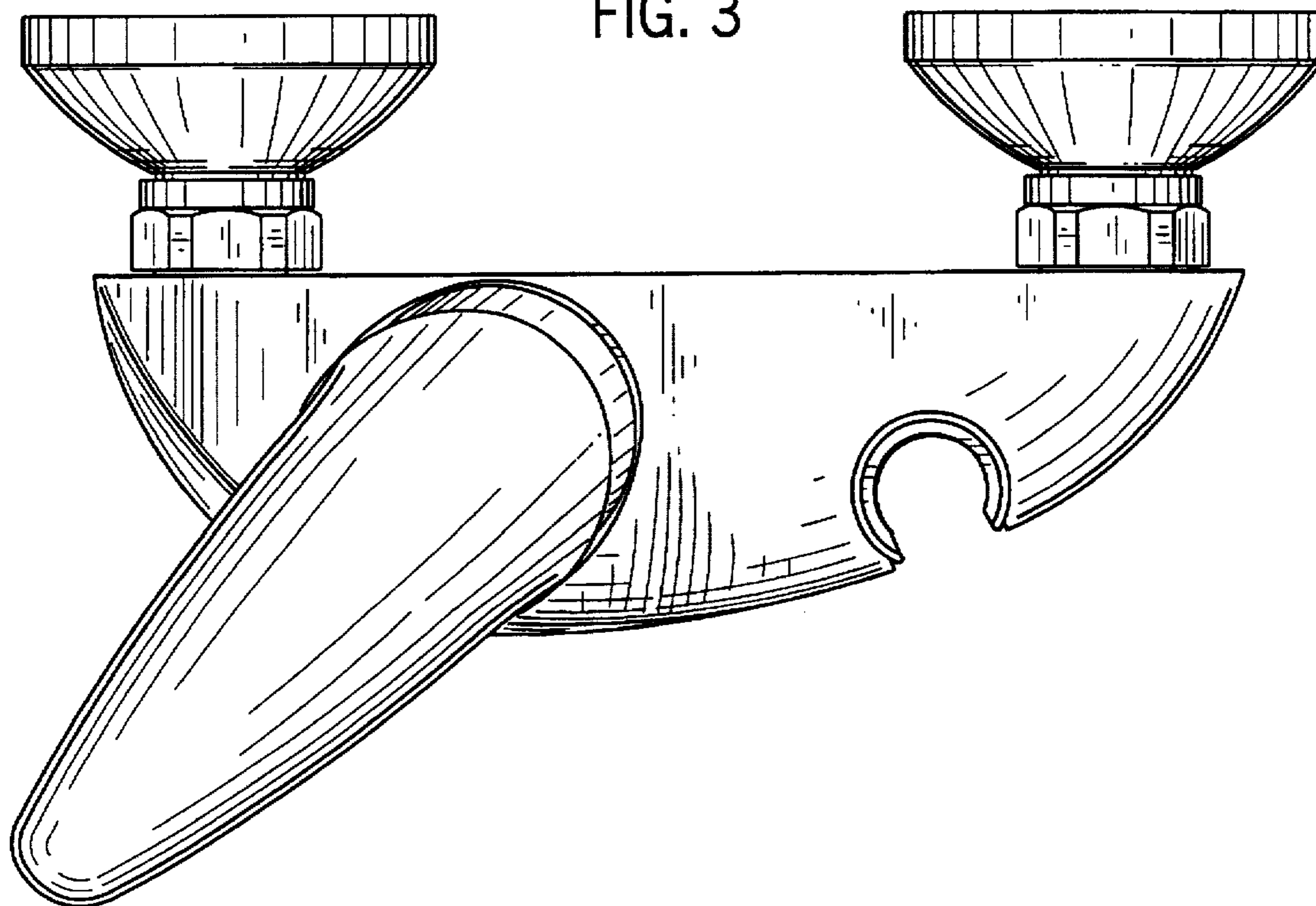
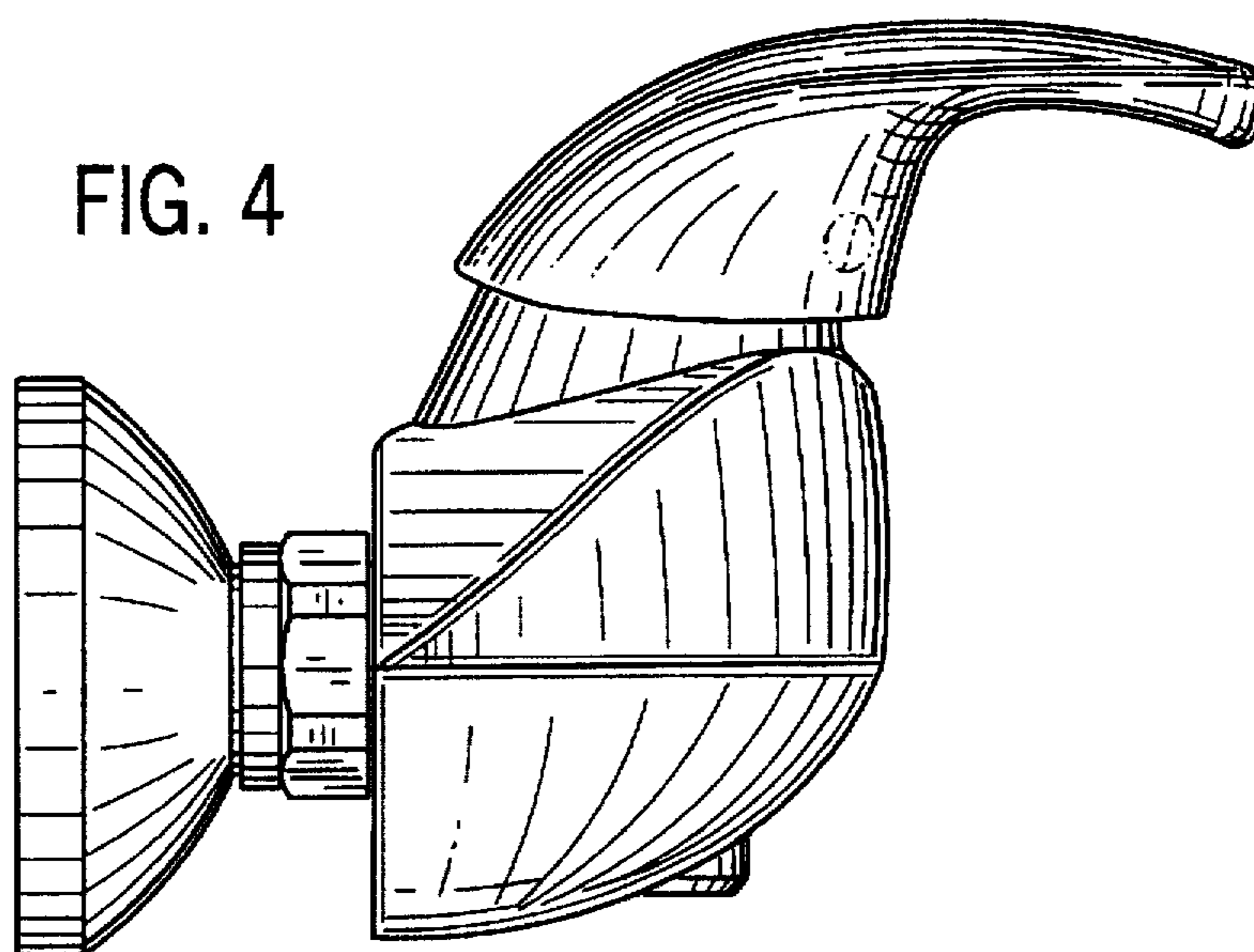


FIG. 4



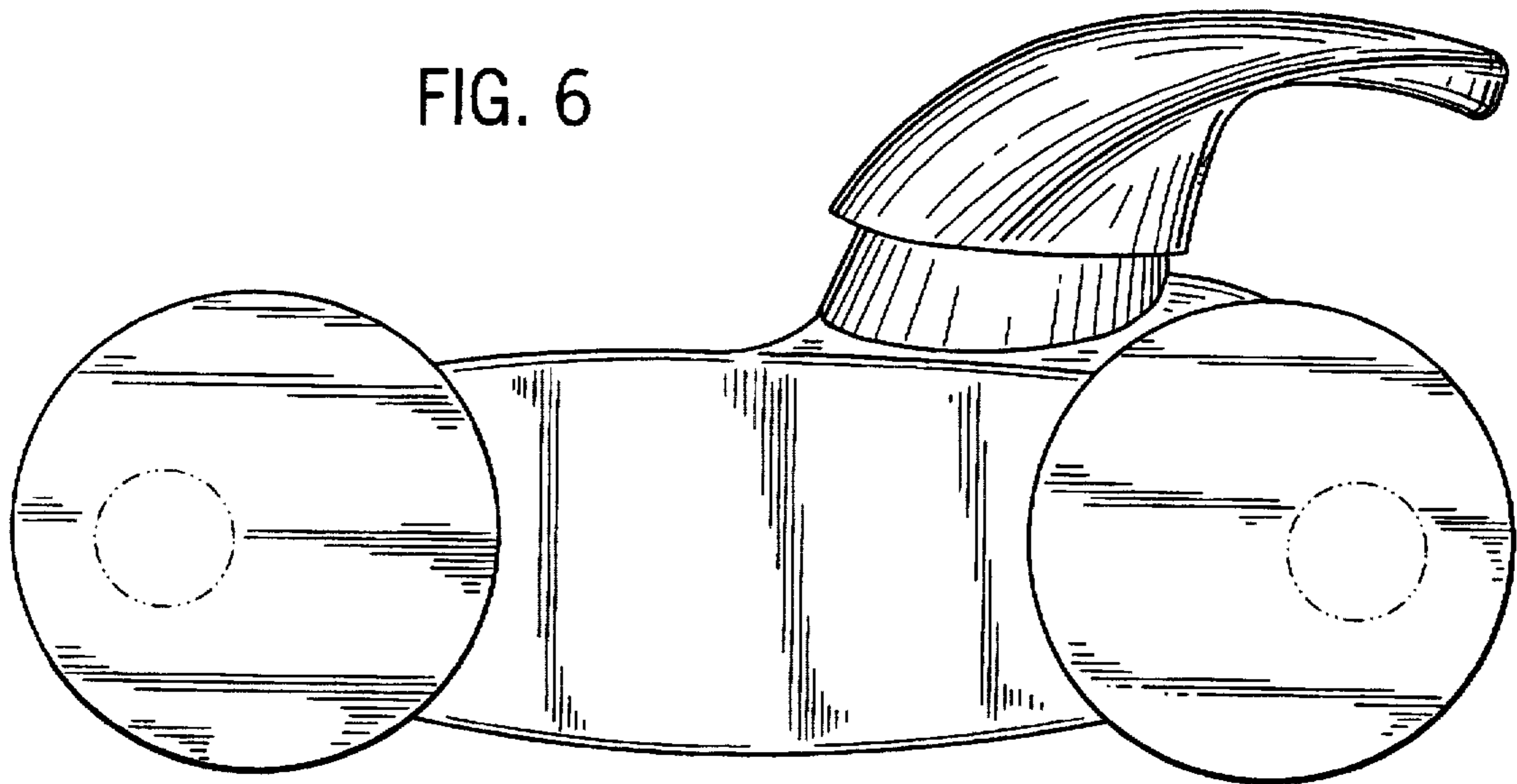
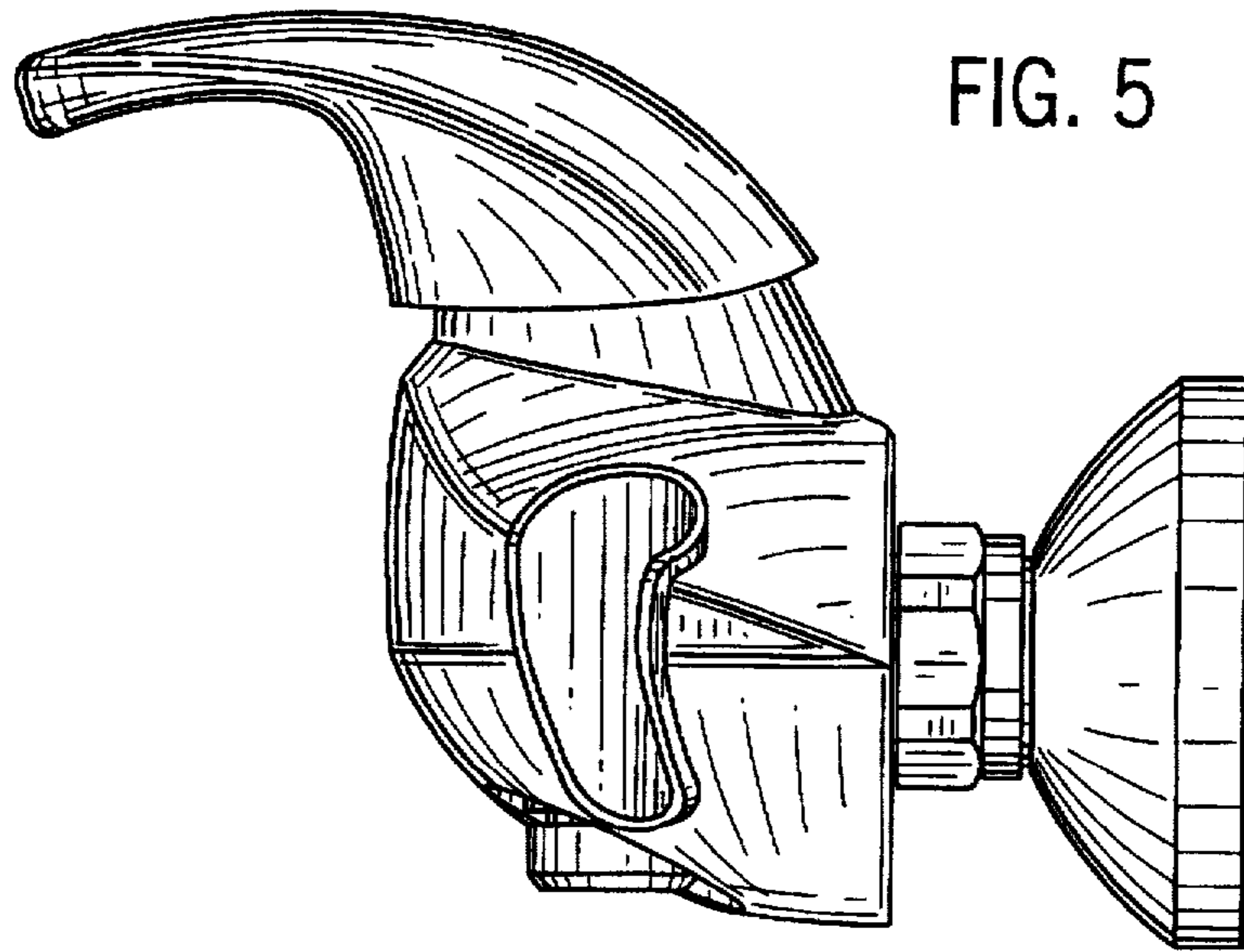
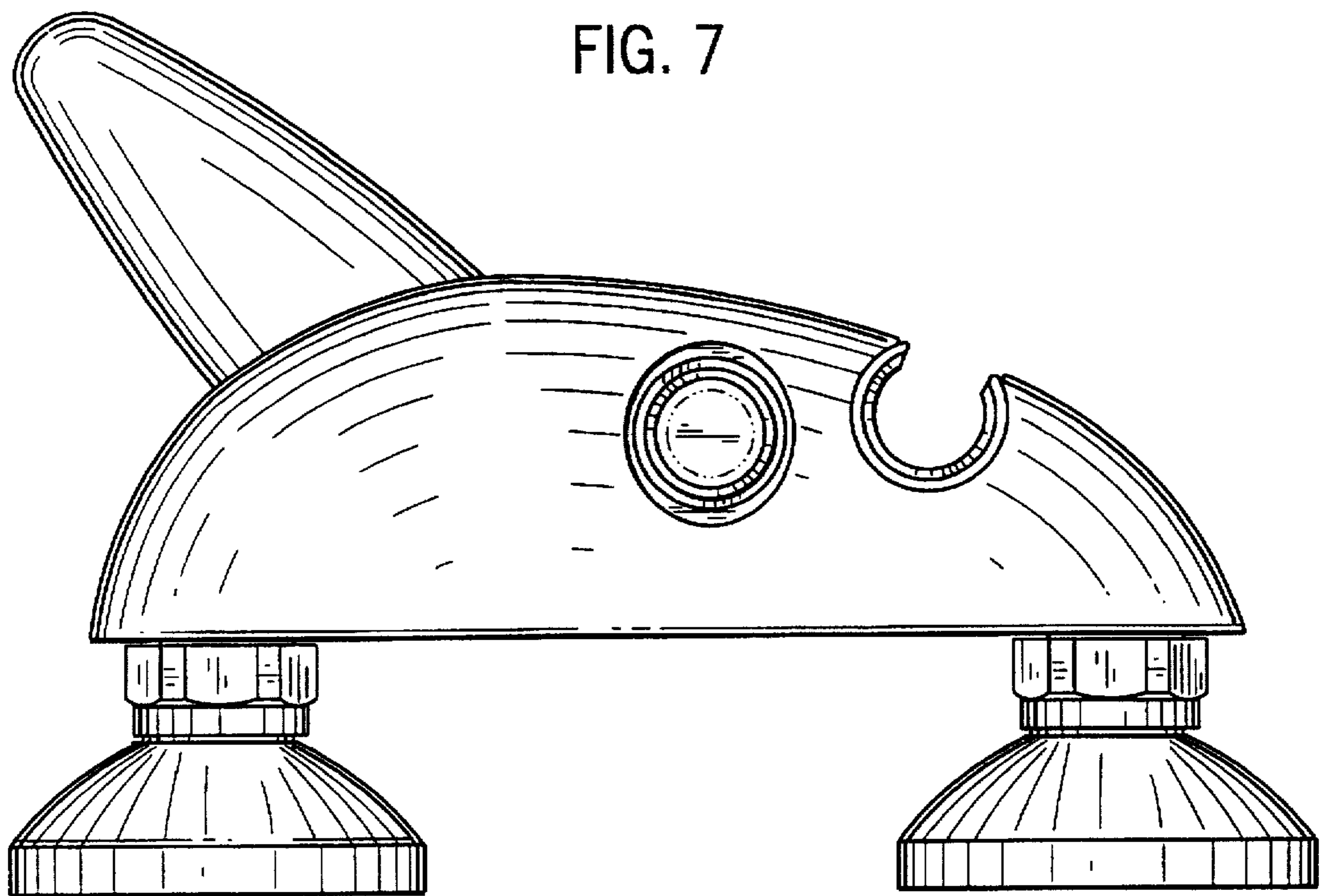


FIG. 7



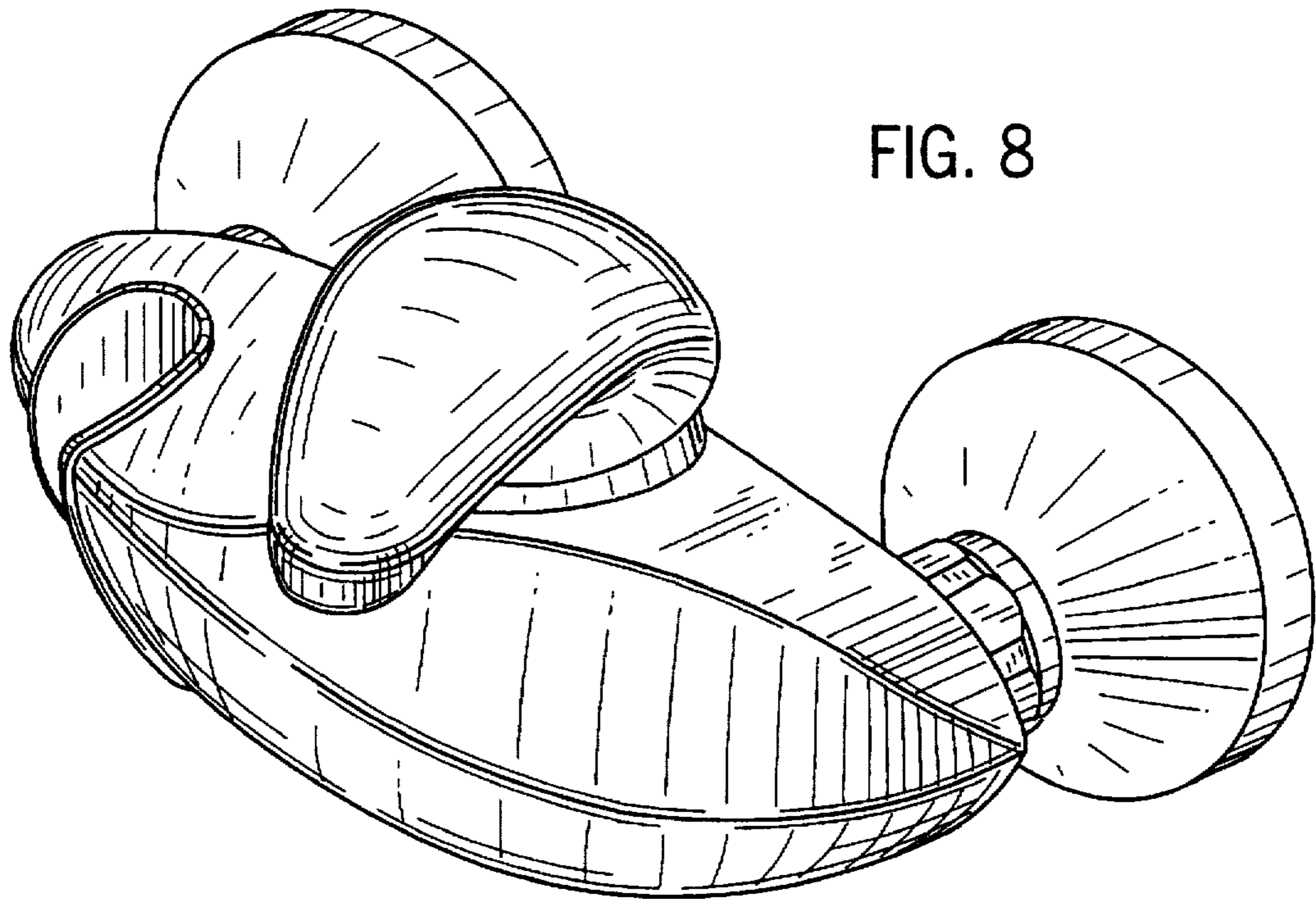


FIG. 8

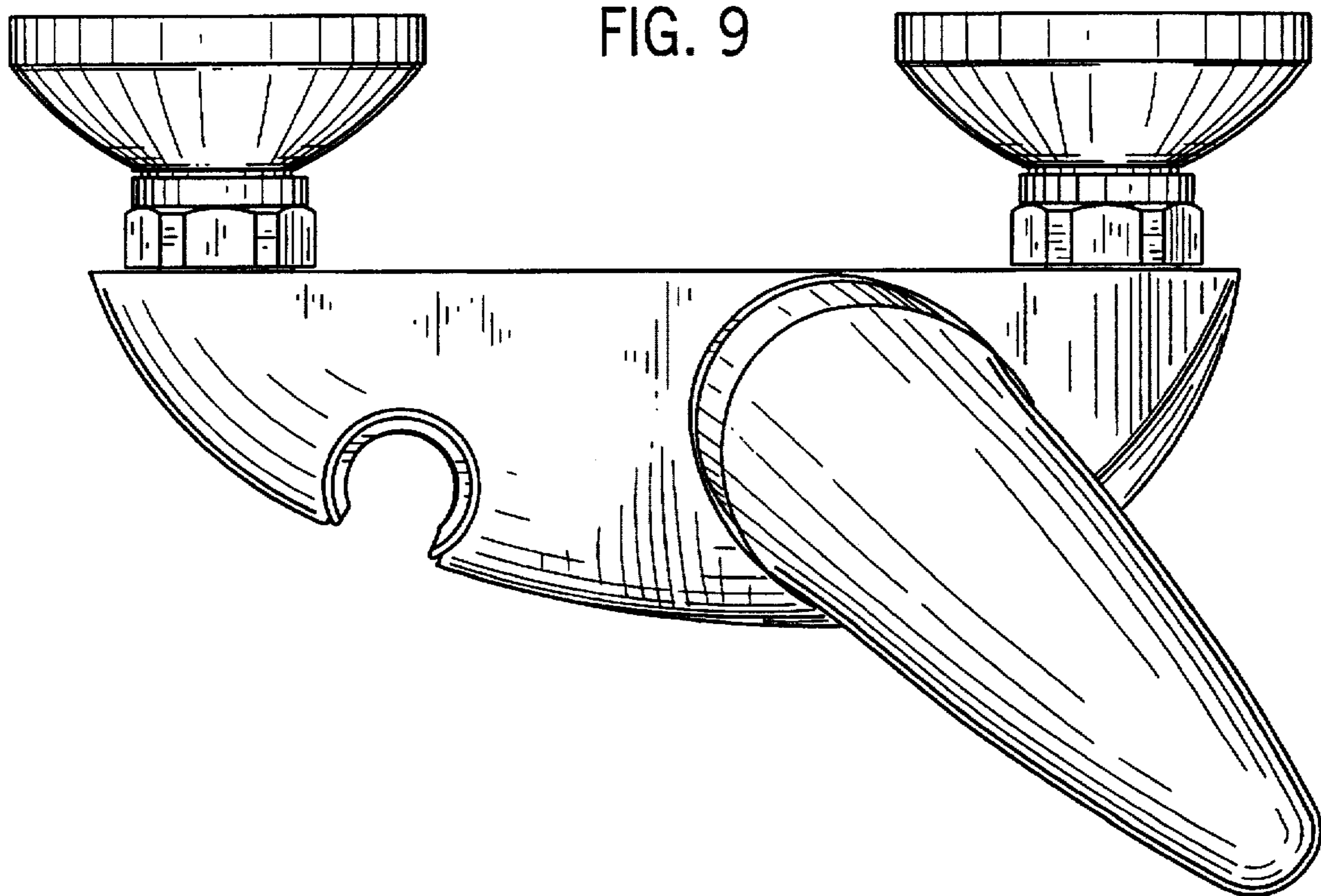


FIG. 9