



US00D390916S

United States Patent [19]

Valenzuela

[11] Patent Number: **Des. 390,916**

[45] Date of Patent: ****Feb. 17, 1998**

[54] SAFETY VALVE

[76] Inventor: **Alfred Valenzuela**, 2719 Mercer St., Laredo, Tex. 78043

[**] Term: **14 Years**

[21] Appl. No.: **54,913**

[22] Filed: **May 24, 1996**

[51] LOC (6) Cl. **23-01**

[52] U.S. Cl. **D23/235**

[58] Field of Search D23/233, 235, D23/237, 247, 259, 260; D8/387; D12/153; 137/230, 454.5; 152/427, 429, 431, DIG. 11, DIG. 13

[56] **References Cited**

U.S. PATENT DOCUMENTS

D. 223,094	3/1972	Coleman et al.	D23/235
D. 266,019	8/1982	Crossman	D23/235
D. 304,817	11/1989	Earley et al.	D12/153
D. 334,616	4/1993	Nimmo	D23/249
968,394	8/1910	Overturf	137/454.5
1,237,041	8/1917	Hilding	152/429 X
1,433,643	10/1922	Overlander	152/429 X
4,642,012	2/1987	Blucher et al.	411/411 X

FOREIGN PATENT DOCUMENTS

1550524	12/1968	France	411/424
2179	1/1916	Netherlands	152/427

OTHER PUBLICATIONS

John Simmons Co. Cat 42—Pipe Fittings Valves Heating Material Plumbing Supplies. p. 250—No. SP-150 Plain vent cap, c. 1938.

Fleck Company Plumbing Supplies Cat. 58, p. 312—No. 800 Mushroom Type Vent, c 1947.

Primary Examiner—Ted Shooman

Assistant Examiner—C. Tuttle

Attorney, Agent, or Firm—Harold H. Dutton, Jr.

[57] CLAIM

The ornamental design for a safety valve, as shown.

DESCRIPTION

FIG. 1 is a perspective view of a safety valve showing my new design;

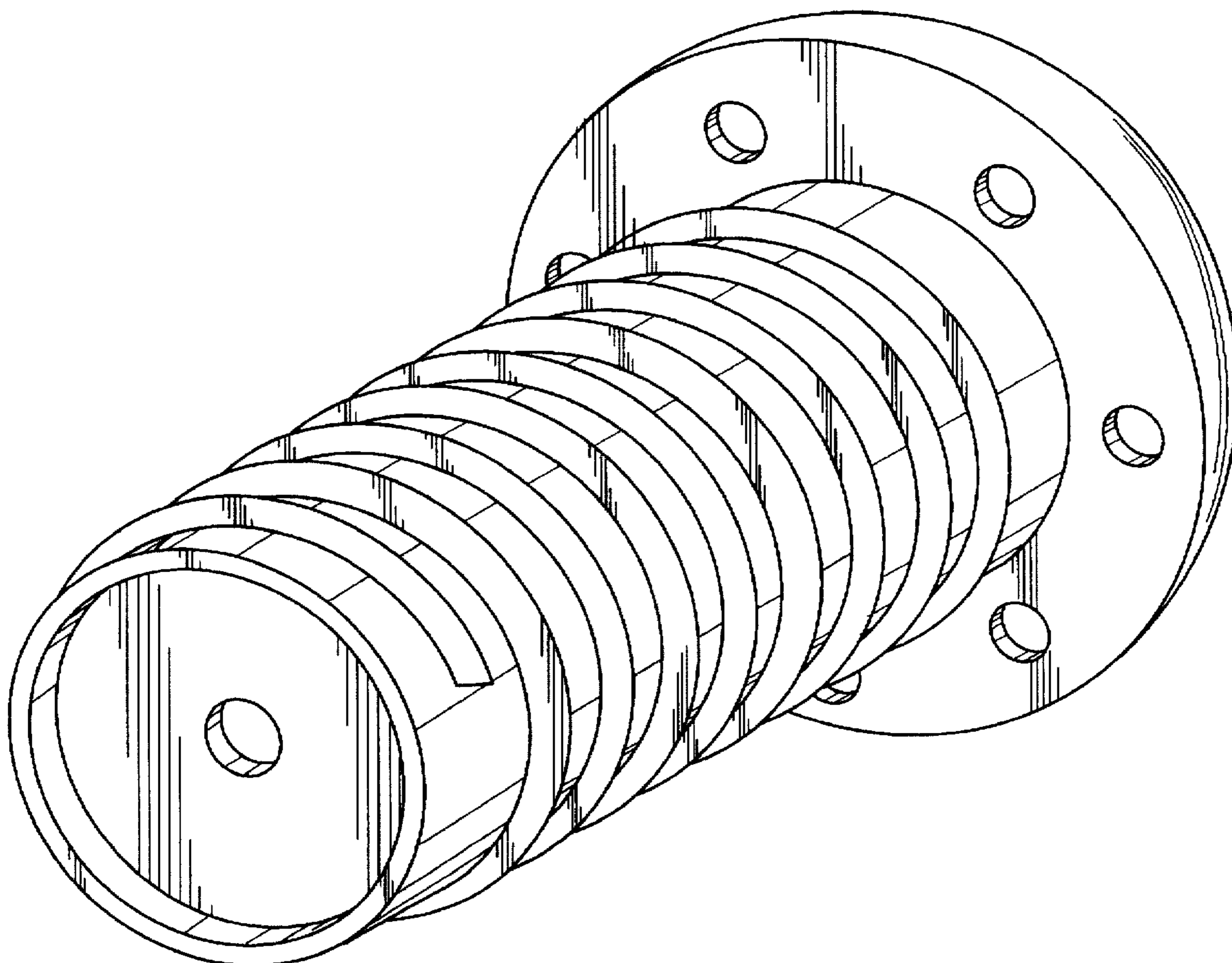
FIG. 2 is a right side view thereof;

FIG. 3 is a left side view thereof;

FIG. 4 is a top view thereof; and,

FIG. 5 is a bottom view thereof.

1 Claim, 3 Drawing Sheets



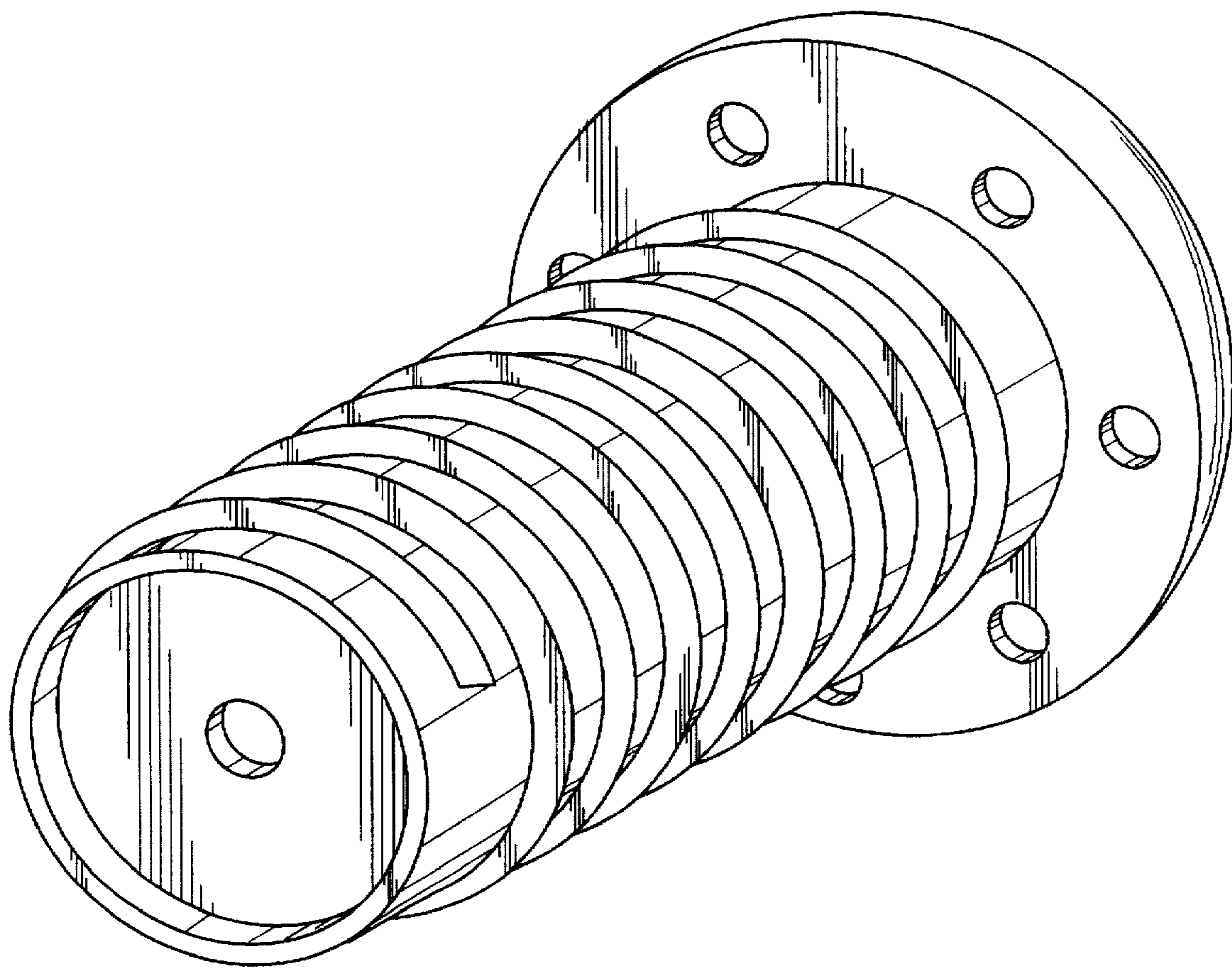


FIG. 1

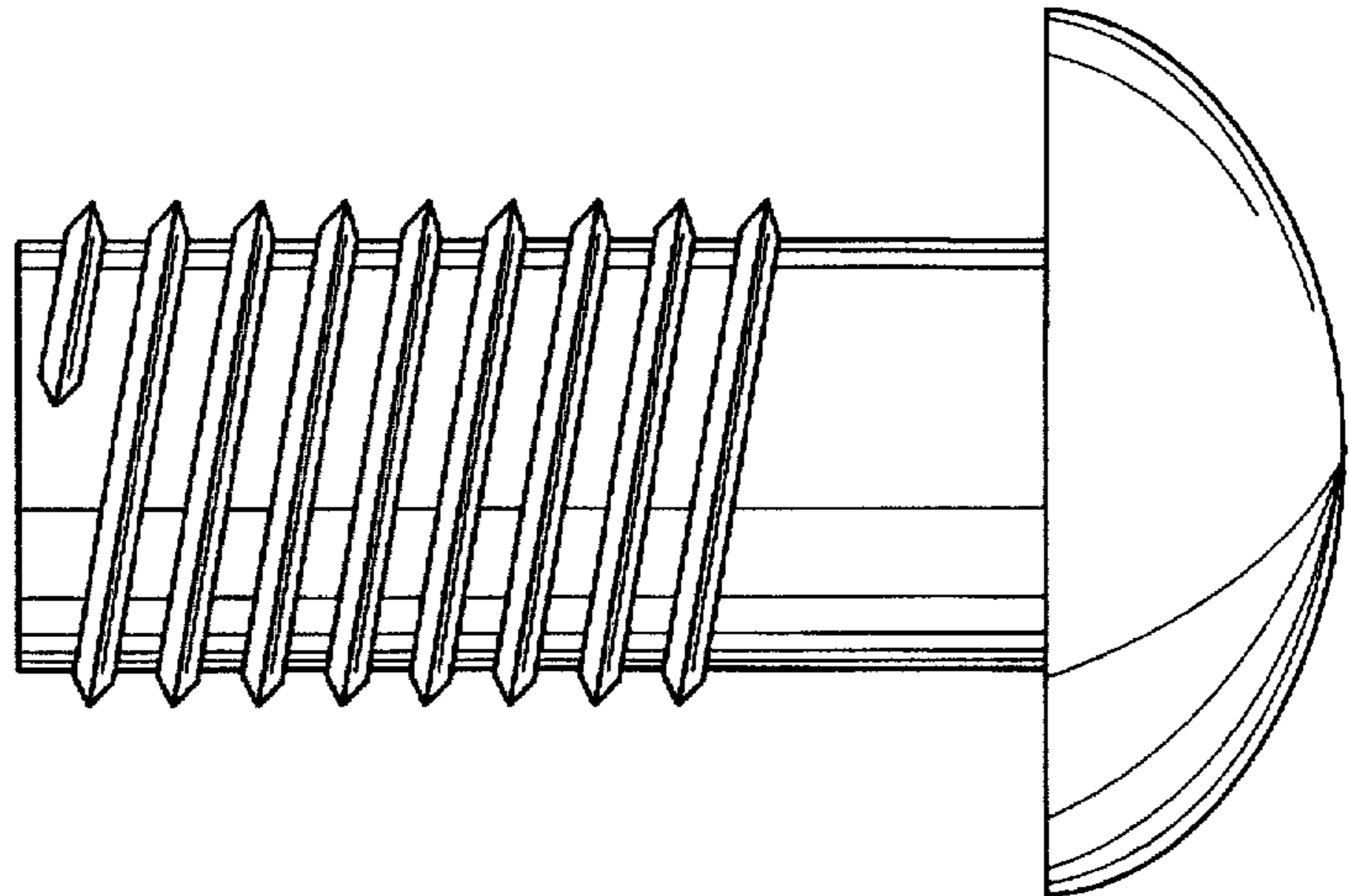


FIG. 2

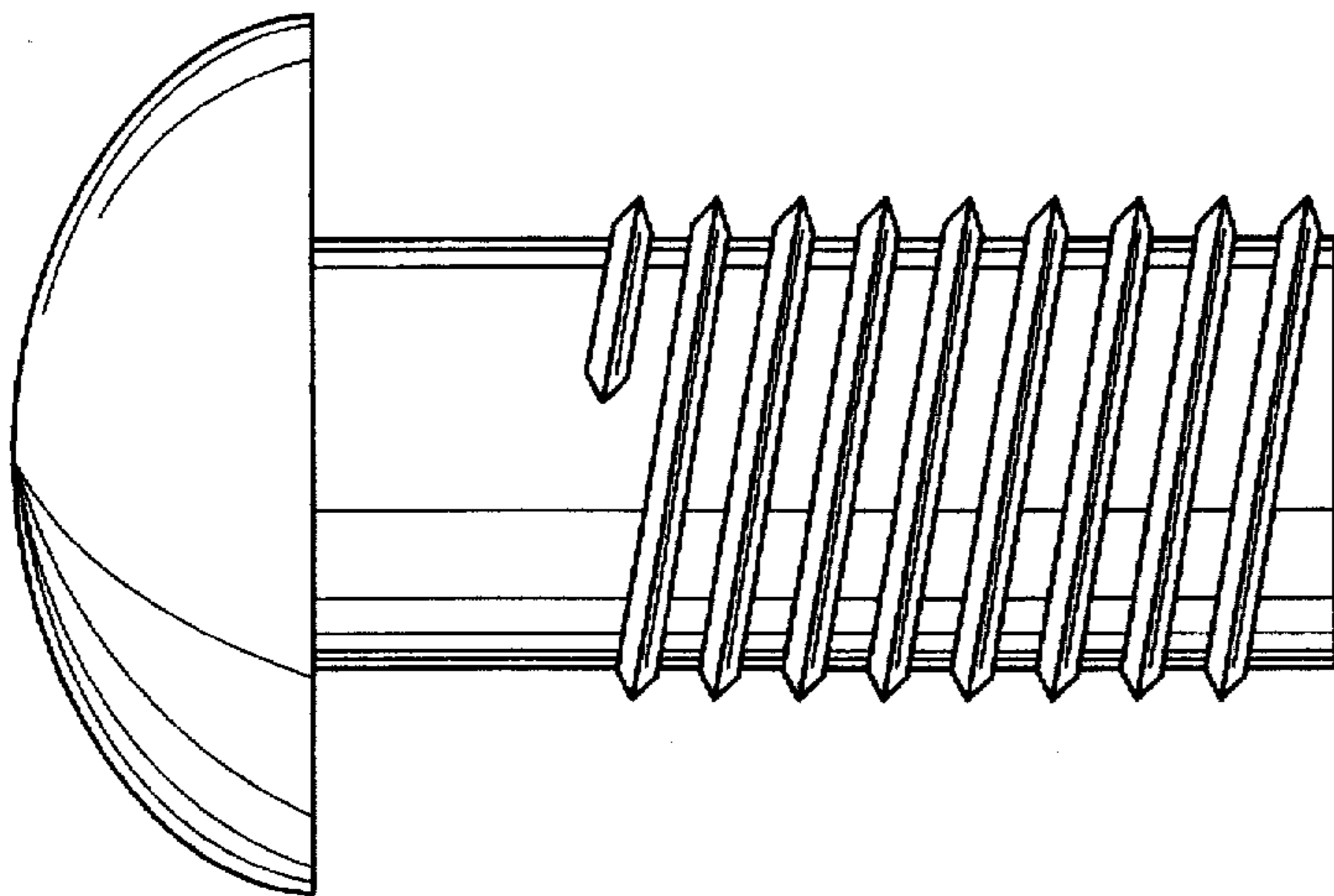


FIG. 3

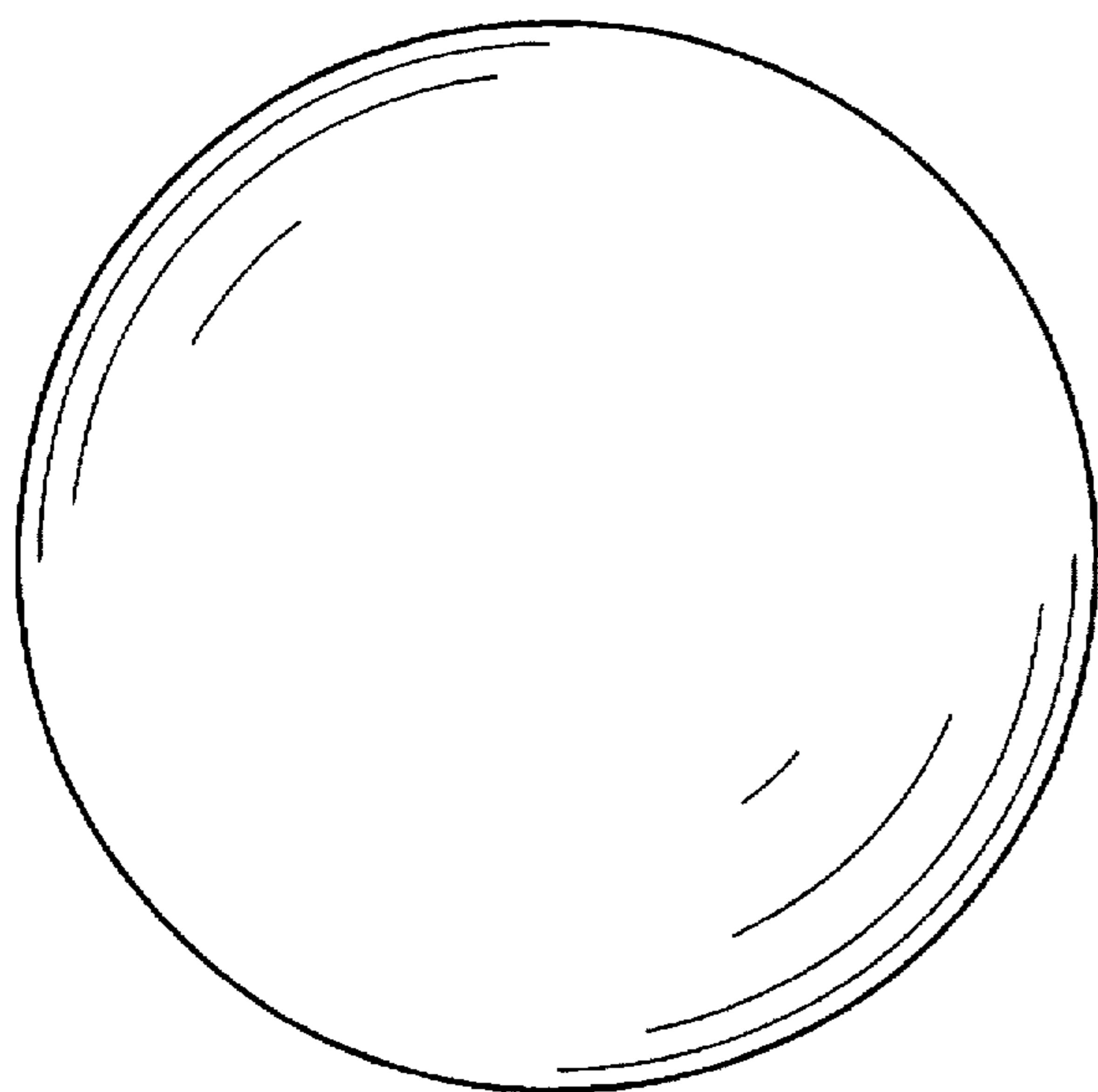


FIG. 4

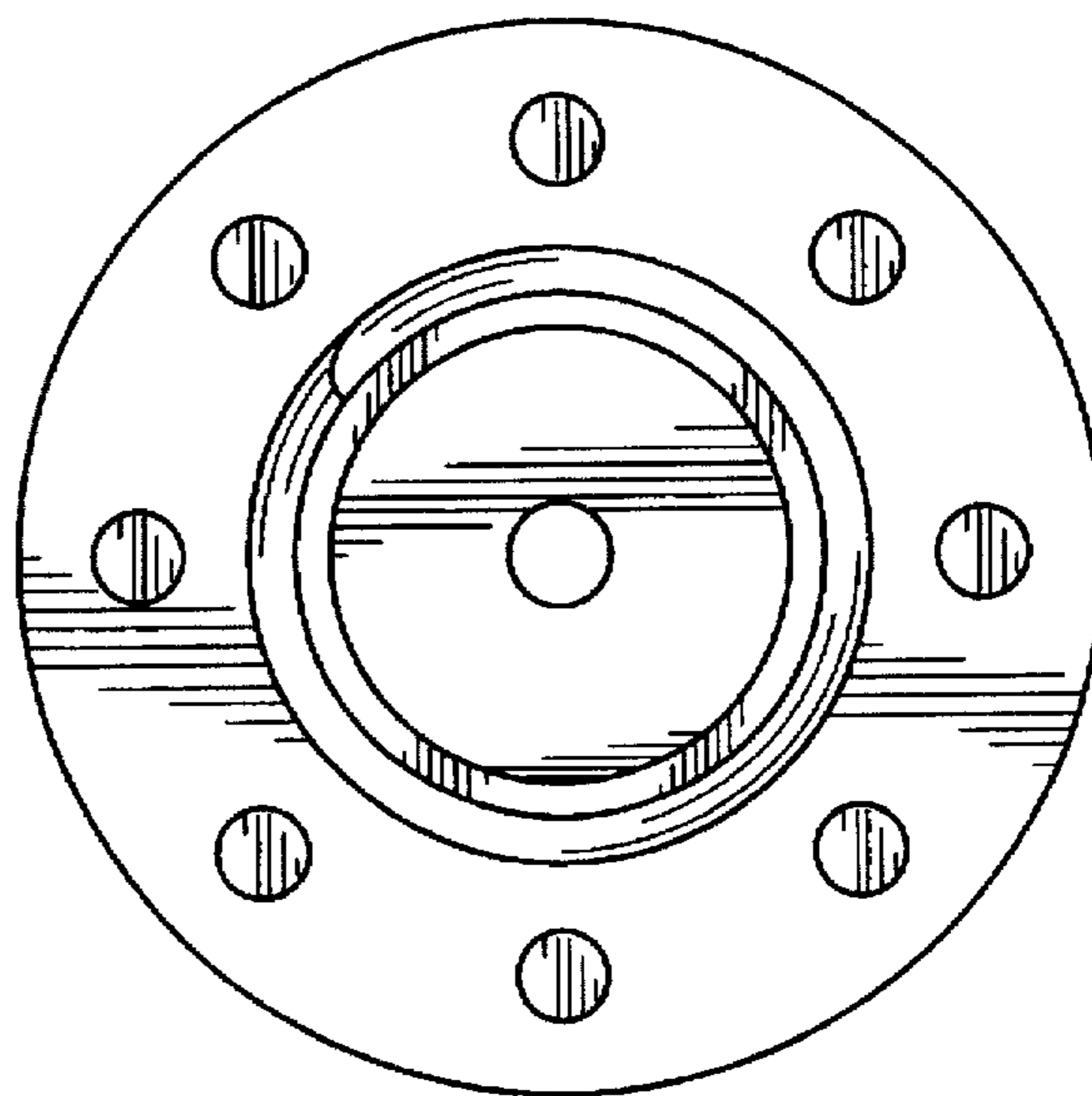


FIG. 5