



US00D390913S

**United States Patent** [19]  
**Hsieh**

[11] **Patent Number: Des. 390,913**

[45] **Date of Patent: \*\*\*Feb. 17, 1998**

[54] **SHOWER HEAD**

D. 328,634 8/1992 Ward ..... D23/223  
D. 349,557 8/1994 Huen ..... D23/223  
D. 356,854 3/1995 Hsieh ..... D23/213

[75] **Inventor: Elvis Hsieh, Taichung, Taiwan**

[73] **Assignee: Maxflo, Inc., Taichung, Taiwan**

*Primary Examiner*—Alan P. Douglas  
*Assistant Examiner*—Robin V. Taylor  
*Attorney, Agent, or Firm*—Morton J. Rosenberg; David I. Klein; Jun Y. Lee

[\*] **Notice:** The portion of the term of this patent subsequent to Mar. 28, 2009, has been disclaimed.

[\*\*] **Term: 14 Years**

[57] **CLAIM**

The ornamental design for a shower head, as shown and described.

[21] **Appl. No.: 52,254**

[22] **Filed: Mar. 26, 1996**

**DESCRIPTION**

[51] **LOC (6) Cl. .... 23-01**

[52] **U.S. Cl. .... D23/223**

[58] **Field of Search .... D23/213, 223-229; 239/394, 459, 460, 525, 526**

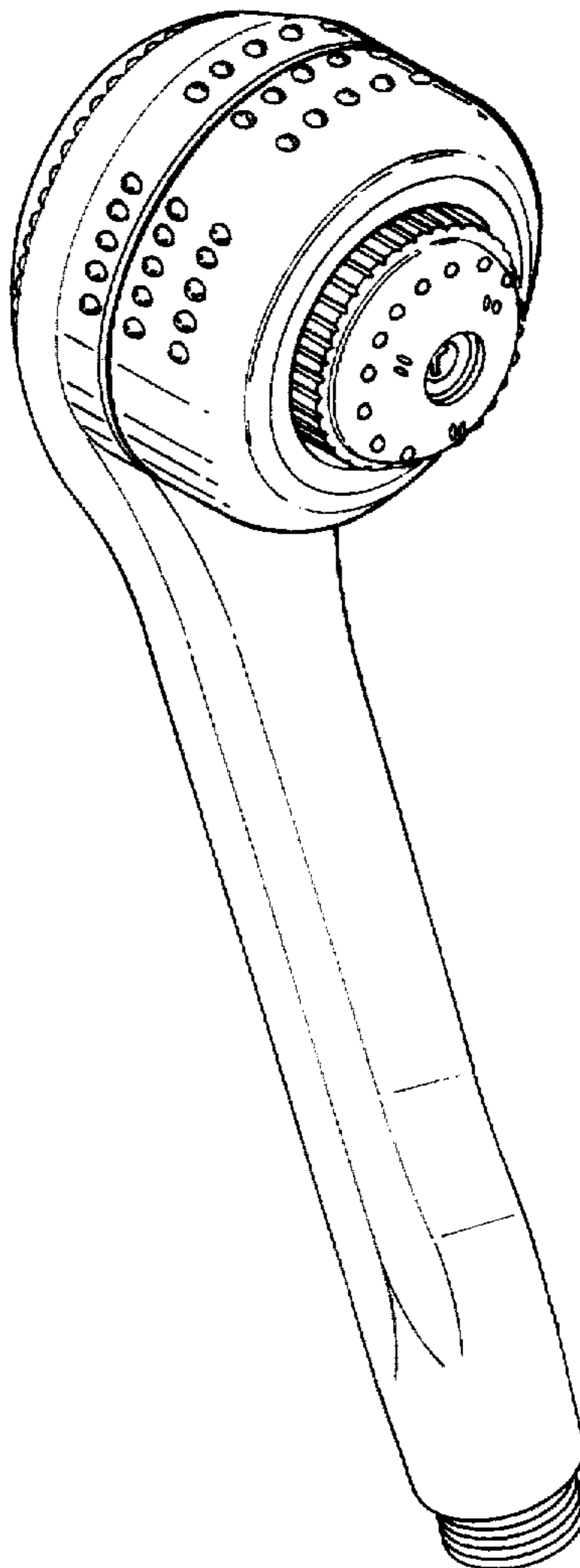
FIG. 1 is a perspective view of a shower head showing my invention;  
FIG. 2 is a front view thereof;  
FIG. 3 is a rear view thereof;  
FIG. 4 is a left side view thereof (the right side view being a mirror image of it);  
FIG. 5 is a top view thereof; and,  
FIG. 6 is a bottom view thereof.

[56] **References Cited**

**U.S. PATENT DOCUMENTS**

D. 251,678 4/1979 Kwan ..... D23/223  
D. 309,773 8/1990 Huen ..... D23/223

**1 Claim, 6 Drawing Sheets**



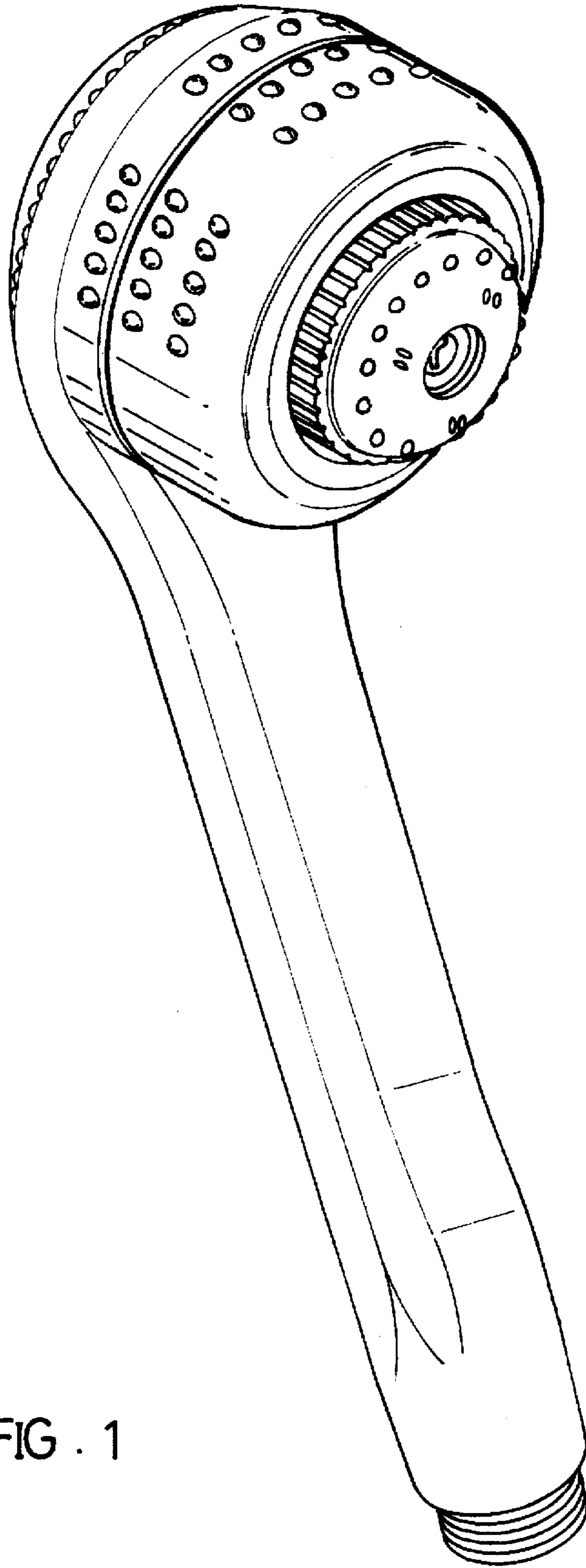


FIG . 1

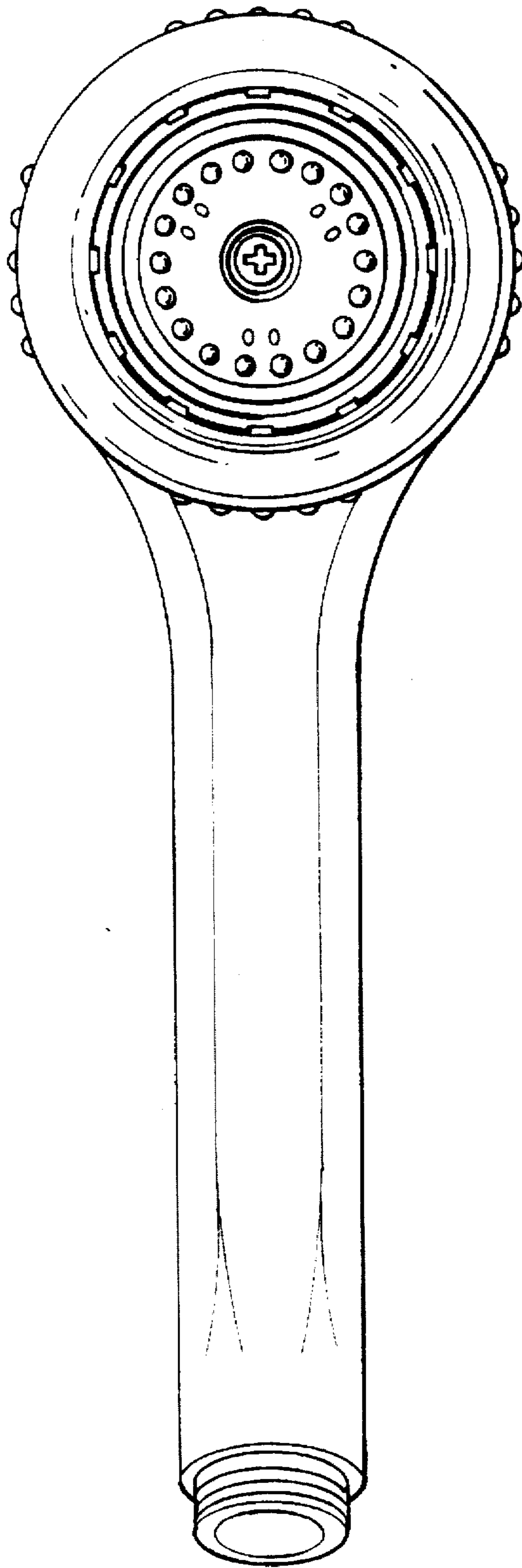


FIG . 2

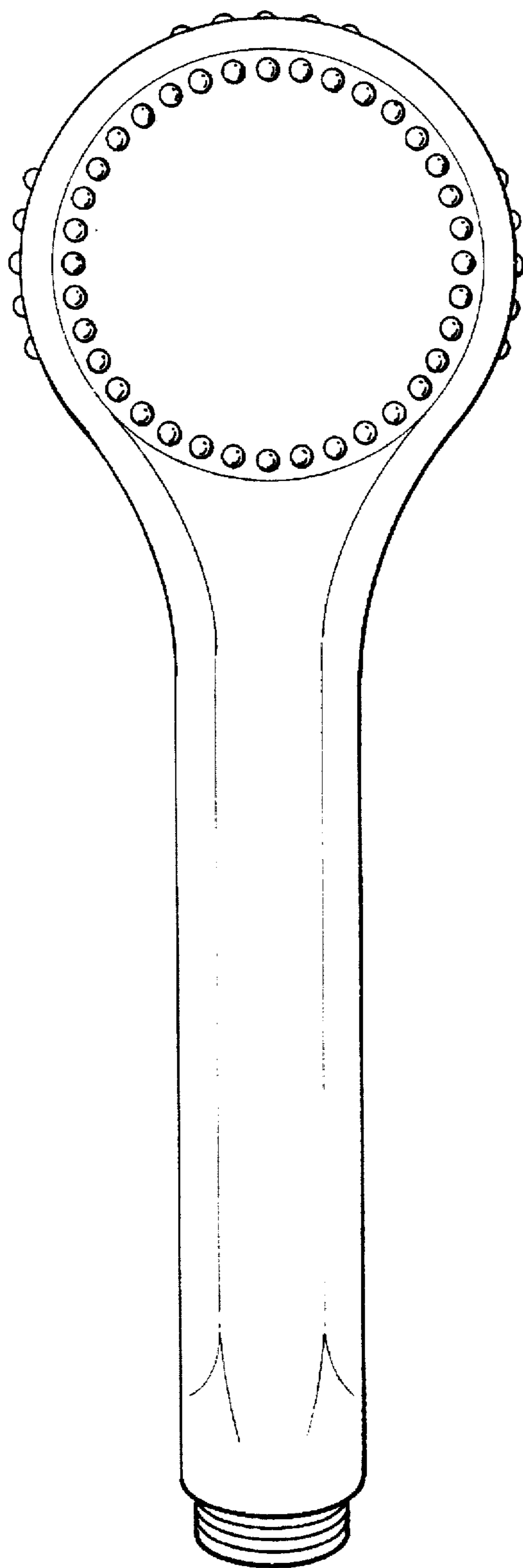


FIG . 3

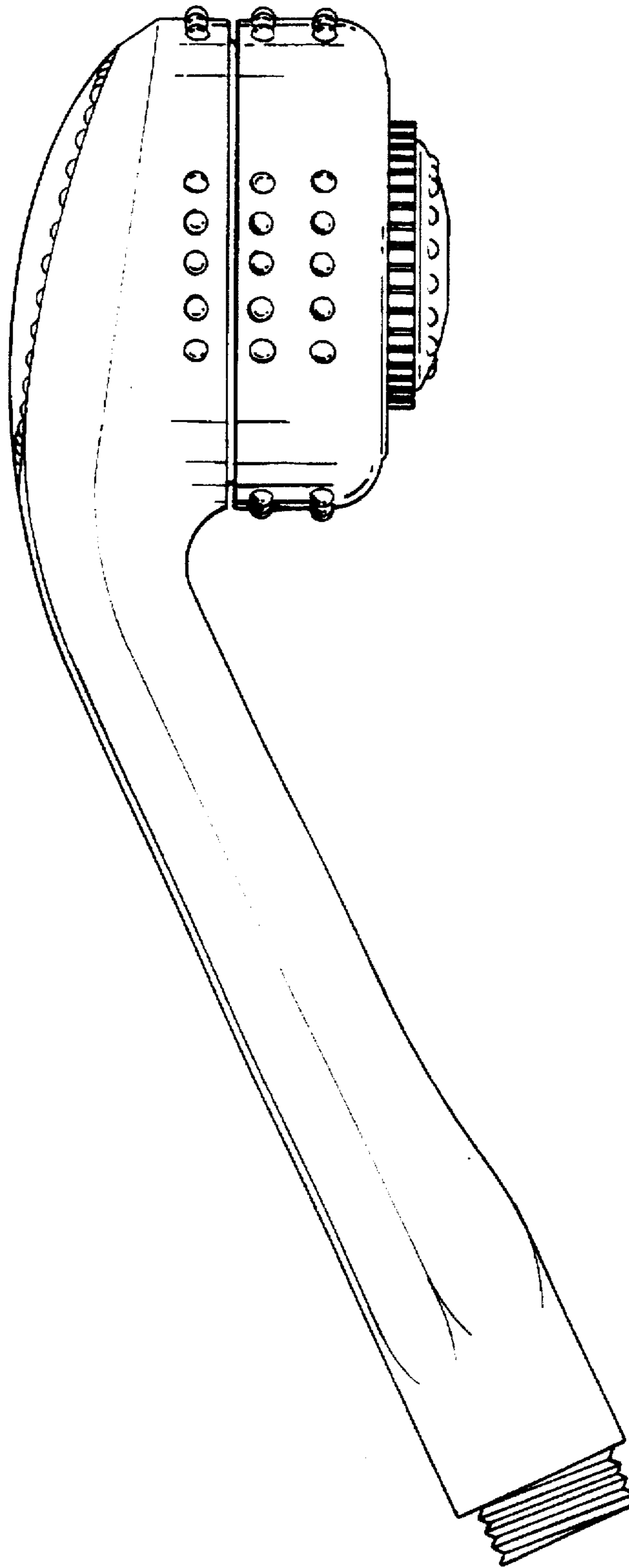


FIG . 4

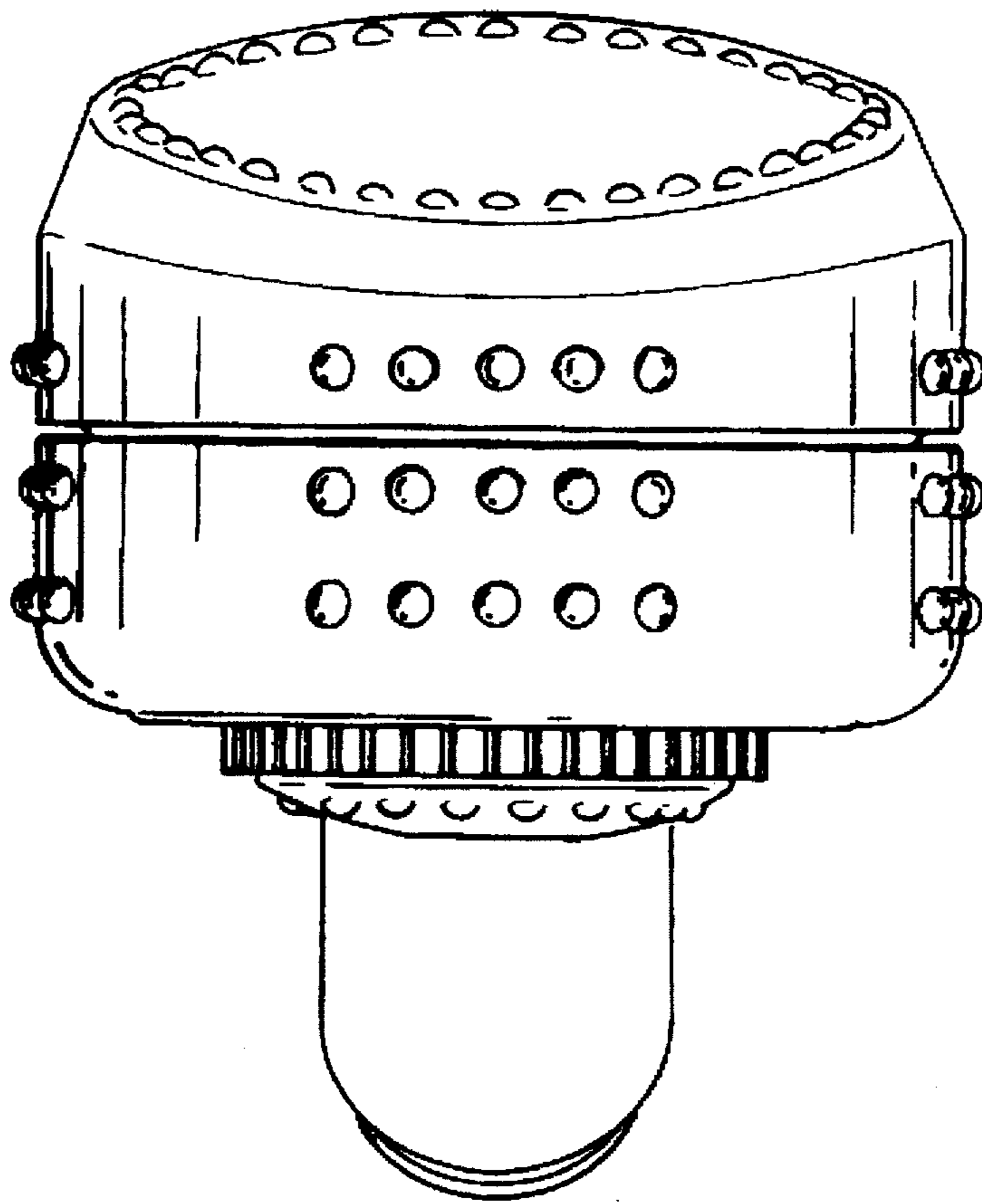


FIG . 5

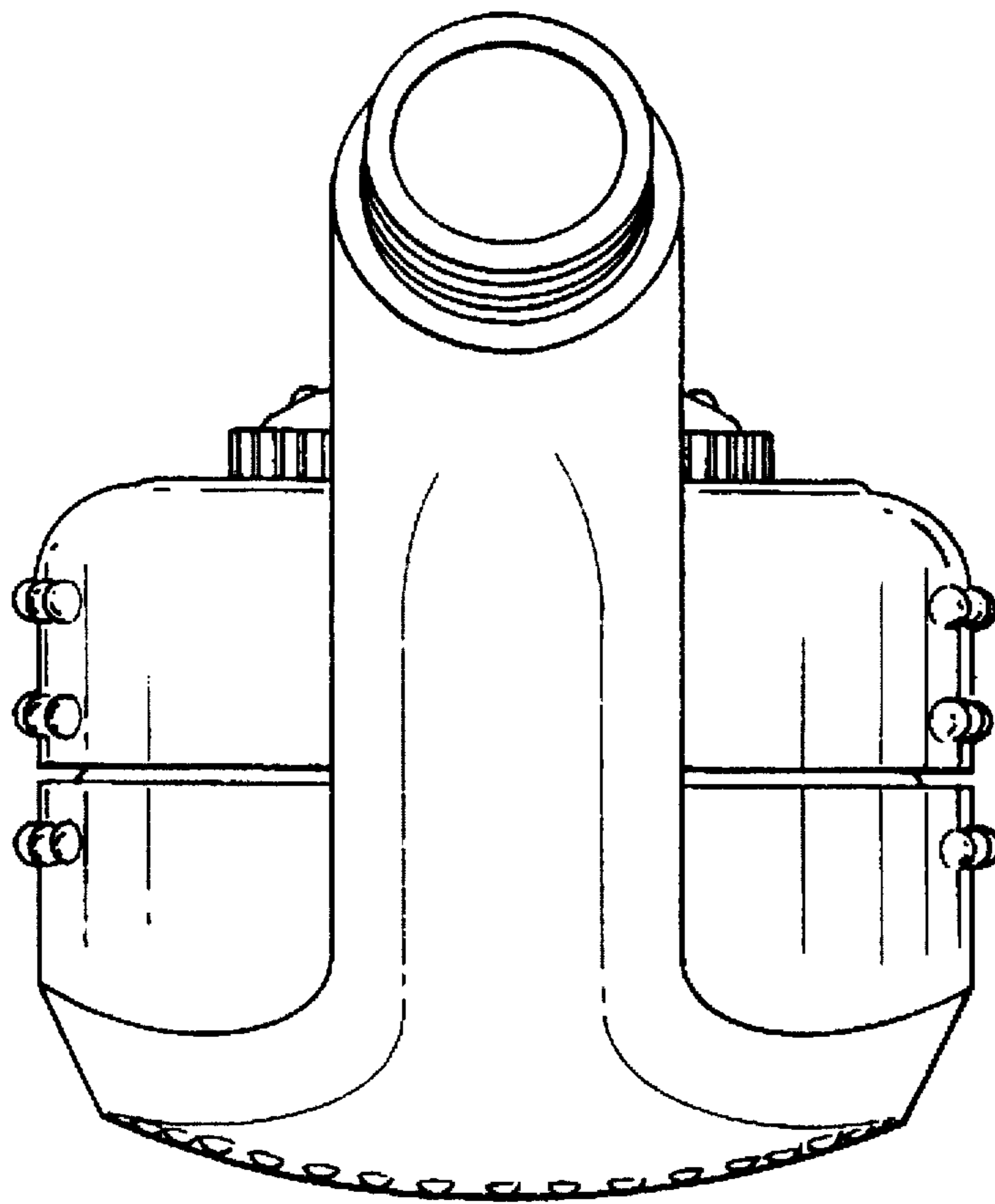


FIG . 6