



US00D390909S

United States Patent [19] Smith

[11] Patent Number: **Des. 390,909**
[45] Date of Patent: ****Feb. 17, 1998**

[54] **GUN SIGHT**
[76] Inventor: **Gary Smith**, 14 N. Main St., Hardwick, Vt. 05843
[**] Term: **14 Years**
[21] Appl. No.: **69,202**
[22] Filed: **Apr. 11, 1997**
[51] LOC (6) Cl. **22-01**
[52] U.S. Cl. **D22/109; D22/108**
[58] Field of Search D22/100, 108, D22/109, 110, 199; 33/233, 251; 42/100; D21/145, 146

4,993,158 2/1991 Santiago 33/233 X

FOREIGN PATENT DOCUMENTS

2447222 6/1975 Germany 42/100

Primary Examiner—Doris V. Coles
Assistant Examiner—Monica A. Weingart
Attorney, Agent, or Firm—John J. Welch, Jr., Esq.

[57] CLAIM

The ornamental design for a gun sight, as shown and described.

DESCRIPTION

FIG. 1 is a perspective view of the gun sight shown as it would be positioned on the top and backside of a gun; FIG. 2 is a top plan view of the gun sight; FIG. 3 is a front plan view thereof; FIG. 4 is a lateral plan view thereof; FIG. 5 is a rear plan view thereof; and, FIG. 6 is a bottom plan view thereof. The broken line showing of a gun in FIG. 1 is for illustrative purposes only and forms no part of the claimed design.

[56] **References Cited**

U.S. PATENT DOCUMENTS

D. 191,112	8/1961	Elliason	D22/109
D. 199,065	9/1964	Korzeniewski	D22/109
D. 238,781	2/1976	Behlert	D22/109
504,696	9/1893	Armitstead	33/251
943,872	12/1909	Gordon	33/251
1,850,288	3/1932	Robbins	33/251

1 Claim, 3 Drawing Sheets

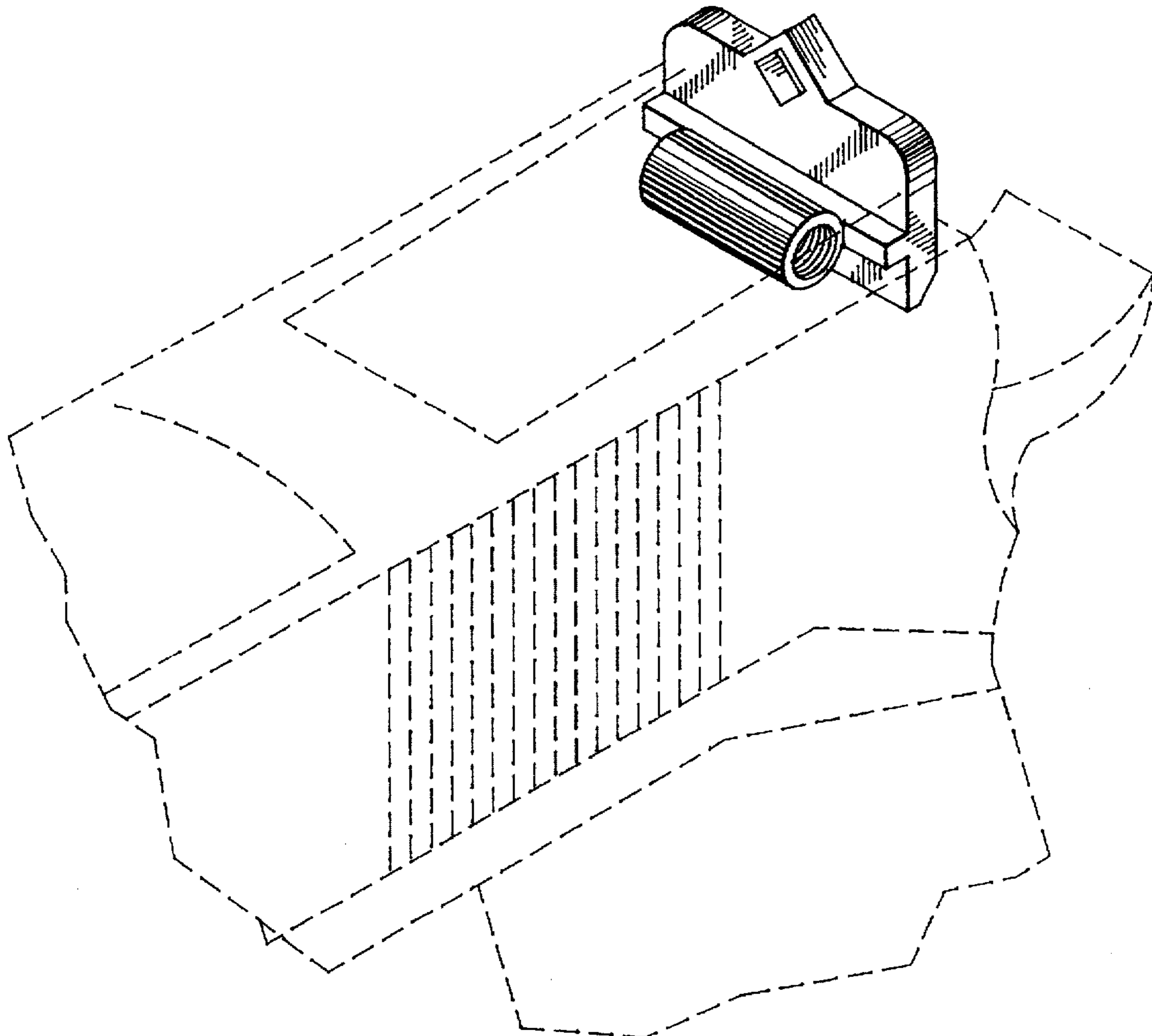
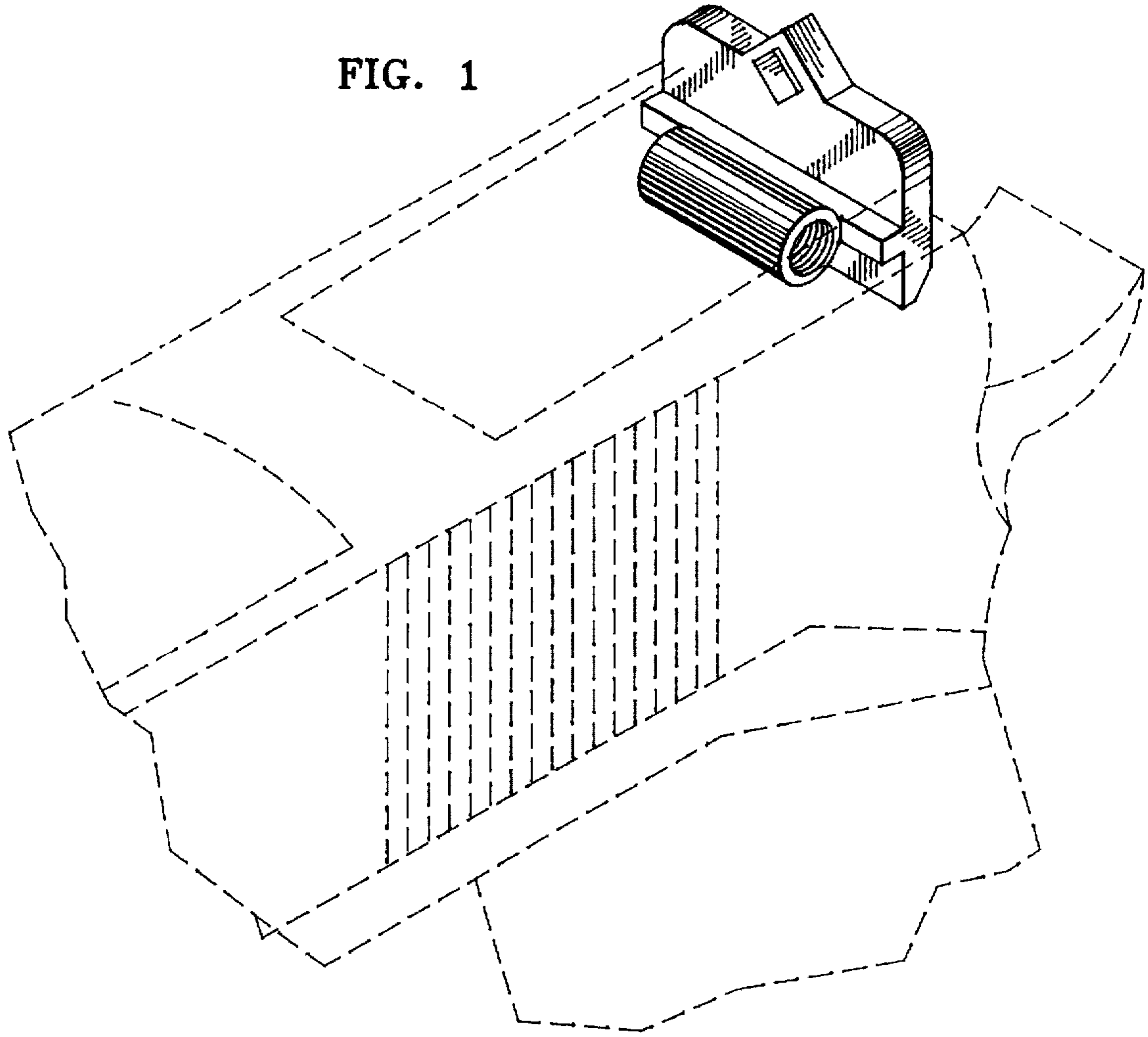


FIG. 1



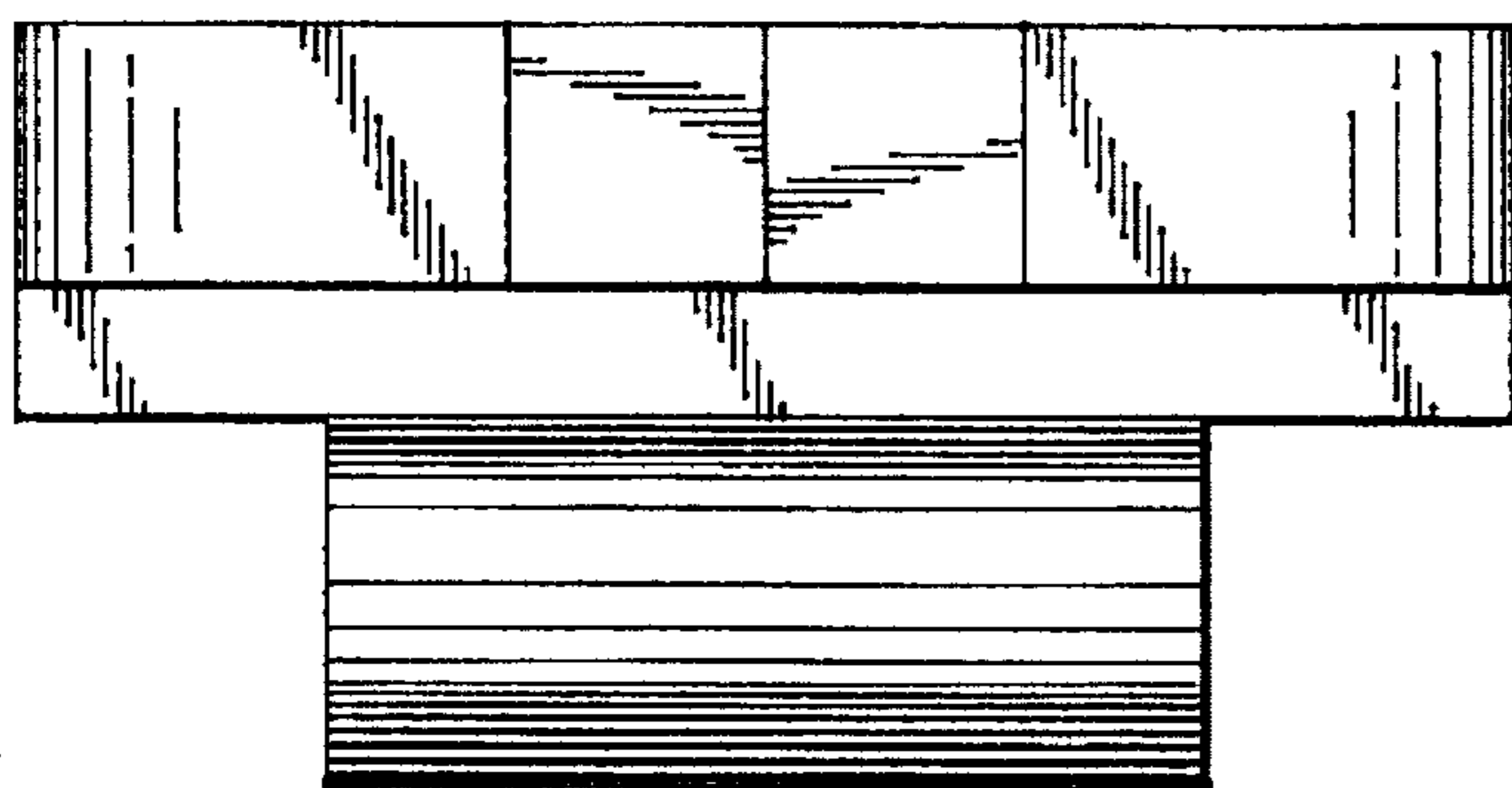


FIG. 2

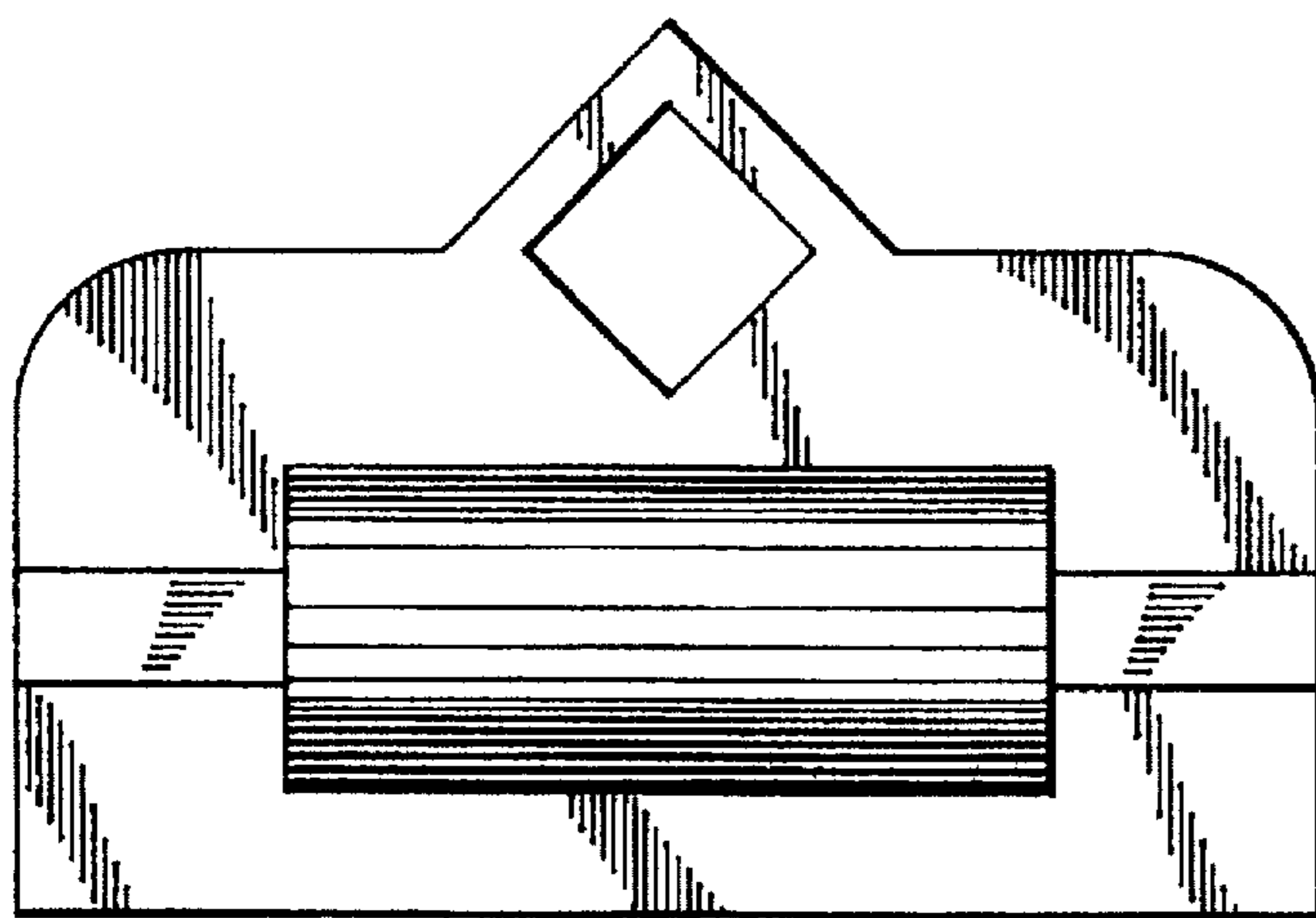


FIG. 3

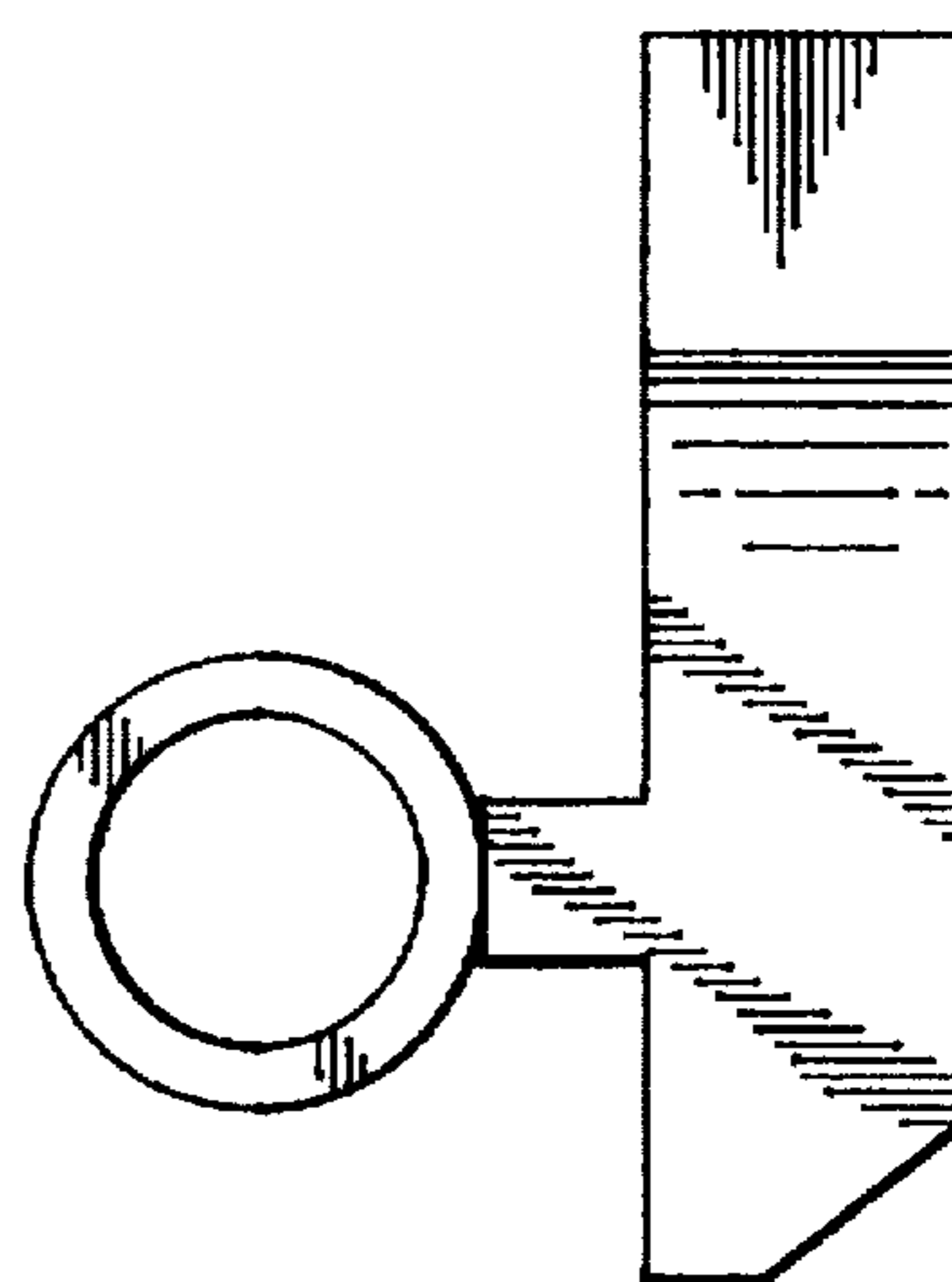


FIG. 4

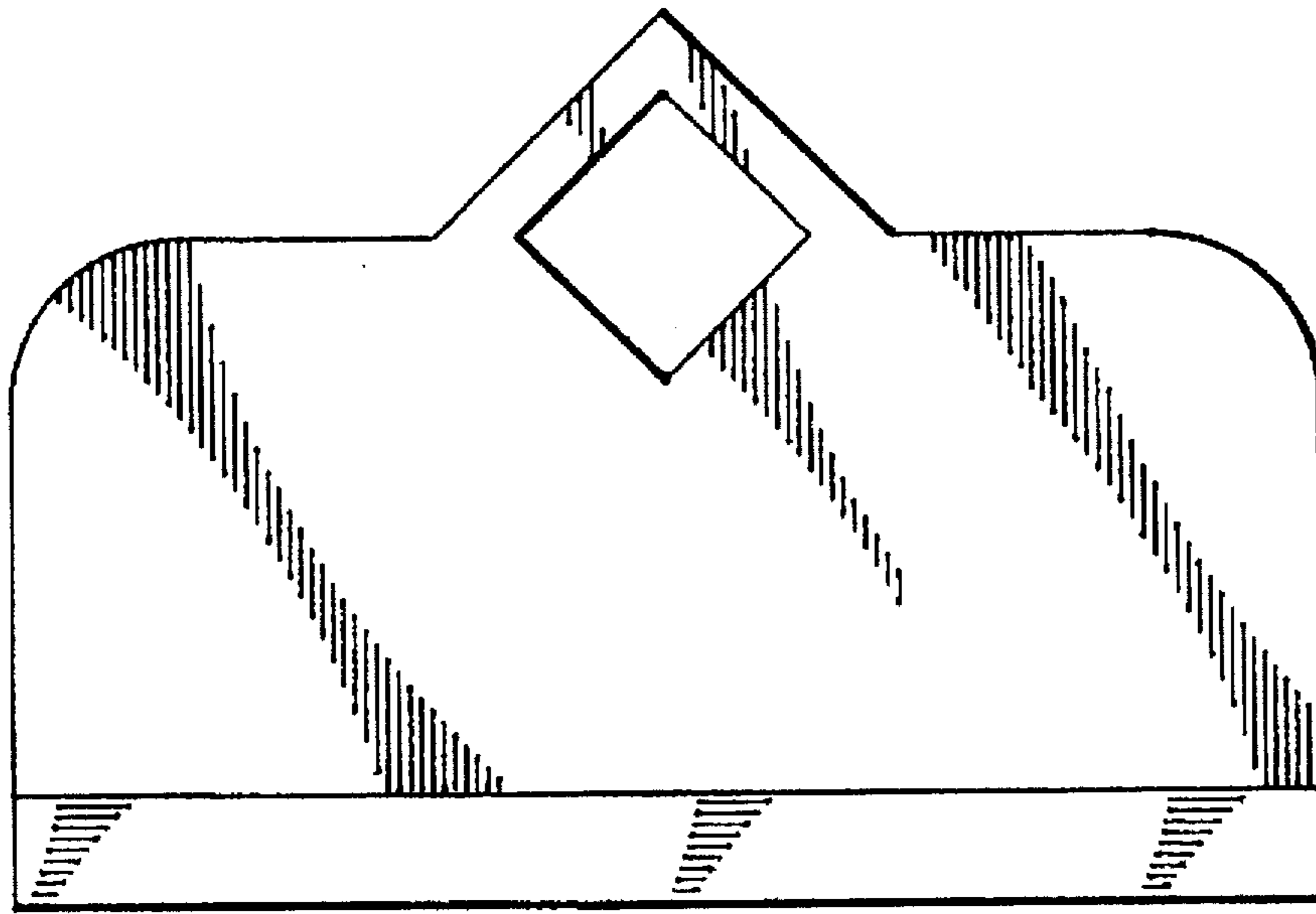


FIG. 5

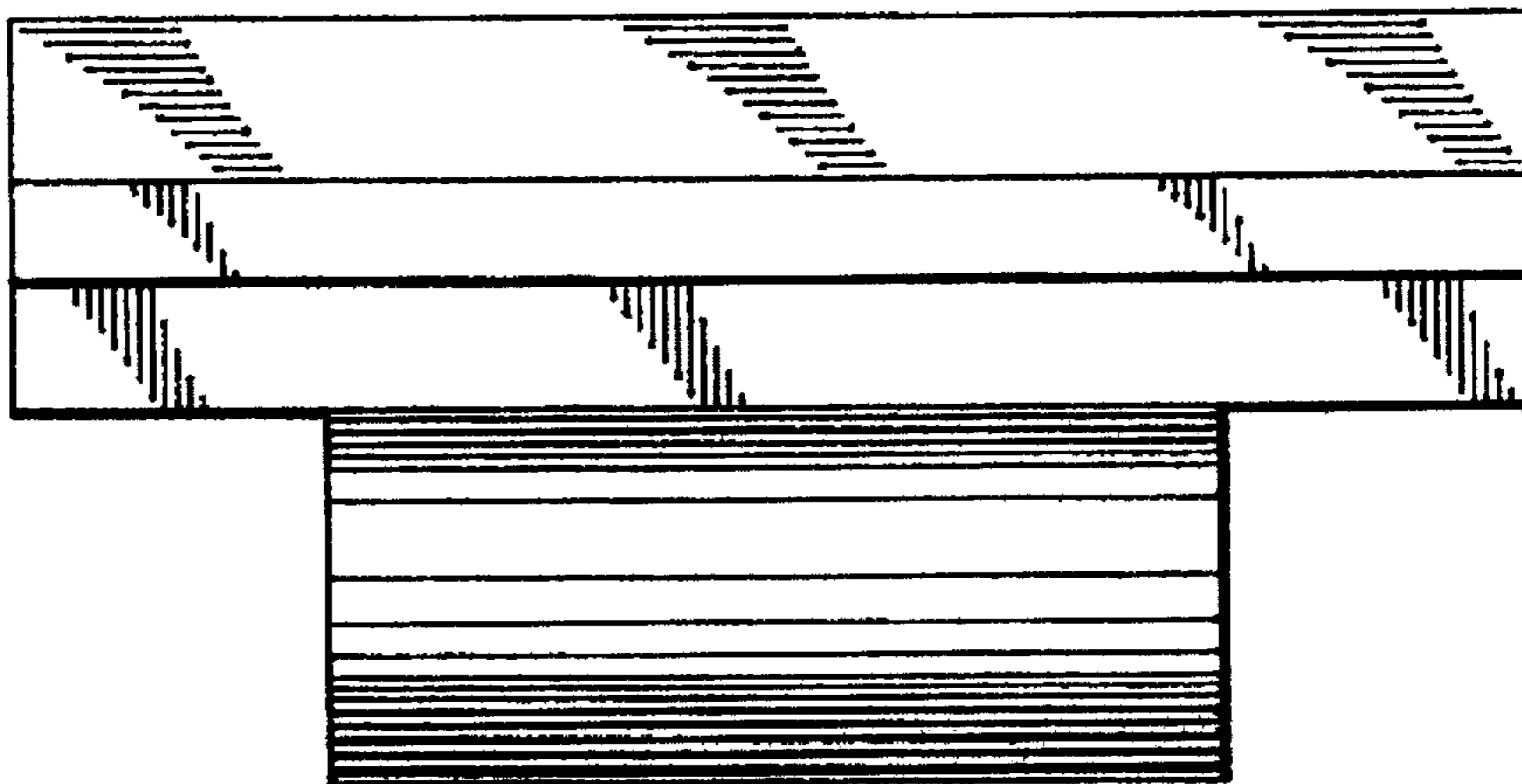


FIG. 6