



US00D390908S

United States Patent [19] Lah

[11] Patent Number: **Des. 390,908**
[45] Date of Patent: ****Feb. 17, 1998**

[54] **TENT**

[76] Inventor: **Jehkun Lah, 542-3, Gajwa-Dong, Su-Ku, Inchon, Rep. of Korea**

[**] Term: **14 Years**

[21] Appl. No.: **54,147**

[22] Filed: **May 7, 1996**

[30] **Foreign Application Priority Data**

Nov. 13, 1995 [JP] Japan 7-34187

[51] **LOC (6) Cl.** **21-02**

[52] **U.S. Cl.** **D21/253**

[58] **Field of Search** **D21/253, 254; D25/16; 52/2.18; 135/121, 122, 123, 125, 126, 128, 138, 143, 156, 124**

3,670,747 6/1972 Pohl et al. 135/156
 3,826,270 7/1974 Hentges 135/116 X
 3,899,854 8/1975 Huddle D21/253
 4,269,210 5/1981 Marks 135/125
 4,286,612 9/1981 Neal et al. 135/116 X
 4,465,087 8/1984 Ferguson 135/138
 4,858,635 8/1989 Eppenbach 135/125
 5,107,881 4/1992 Feldman et al. 135/124
 5,224,507 7/1993 Vosse 135/138
 5,331,777 7/1994 Chi-Yuan 135/124 X

FOREIGN PATENT DOCUMENTS

1244362 9/1960 France 35/122

OTHER PUBLICATIONS

Washington Post Weekend Section, p.54 May 14, 1993 Tent
Sierra Designs Sphynx.

Primary Examiner—Raphael Barkai
Attorney, Agent, or Firm—Ladas & Parry

[56] **References Cited**

U.S. PATENT DOCUMENTS

D. 205,749 9/1966 Moss D21/253
 D. 206,112 10/1966 Krutzikowsky D21/253
 D. 224,761 9/1972 Pohl D21/253
 D. 224,850 9/1972 Enzel D21/253
 D. 229,241 11/1973 Pohl D21/253
 D. 260,277 8/1981 Davis D21/253
 D. 327,524 6/1992 Kim D21/253
 D. 331,441 12/1992 Choi D21/253
 D. 332,294 1/1993 Cantwell D21/253
 D. 332,986 2/1993 Choi D21/253
 1,374,300 4/1921 Henry 135/122
 2,000,205 5/1935 Wickstrum 135/136 X
 2,627,865 2/1953 Mitchell et al. 135/136 X
 3,168,101 2/1965 Porter 135/156
 3,285,257 11/1966 Tombari 135/156

[57] **CLAIM**

The ornamental design for a "tent", as shown and described.

DESCRIPTION

FIG. 1 is a perspective view of my design for a tent;
 FIG. 2 is a top plan view thereof;
 FIG. 3 is a bottom view thereof;
 FIG. 4 is a front elevational view thereof (identical with a rear view);
 FIG. 5 is a right side elevational view (identical with a left side view); and,
 FIG. 6 is a perspective view with the tent door being used as a canopy.

1 Claim, 6 Drawing Sheets

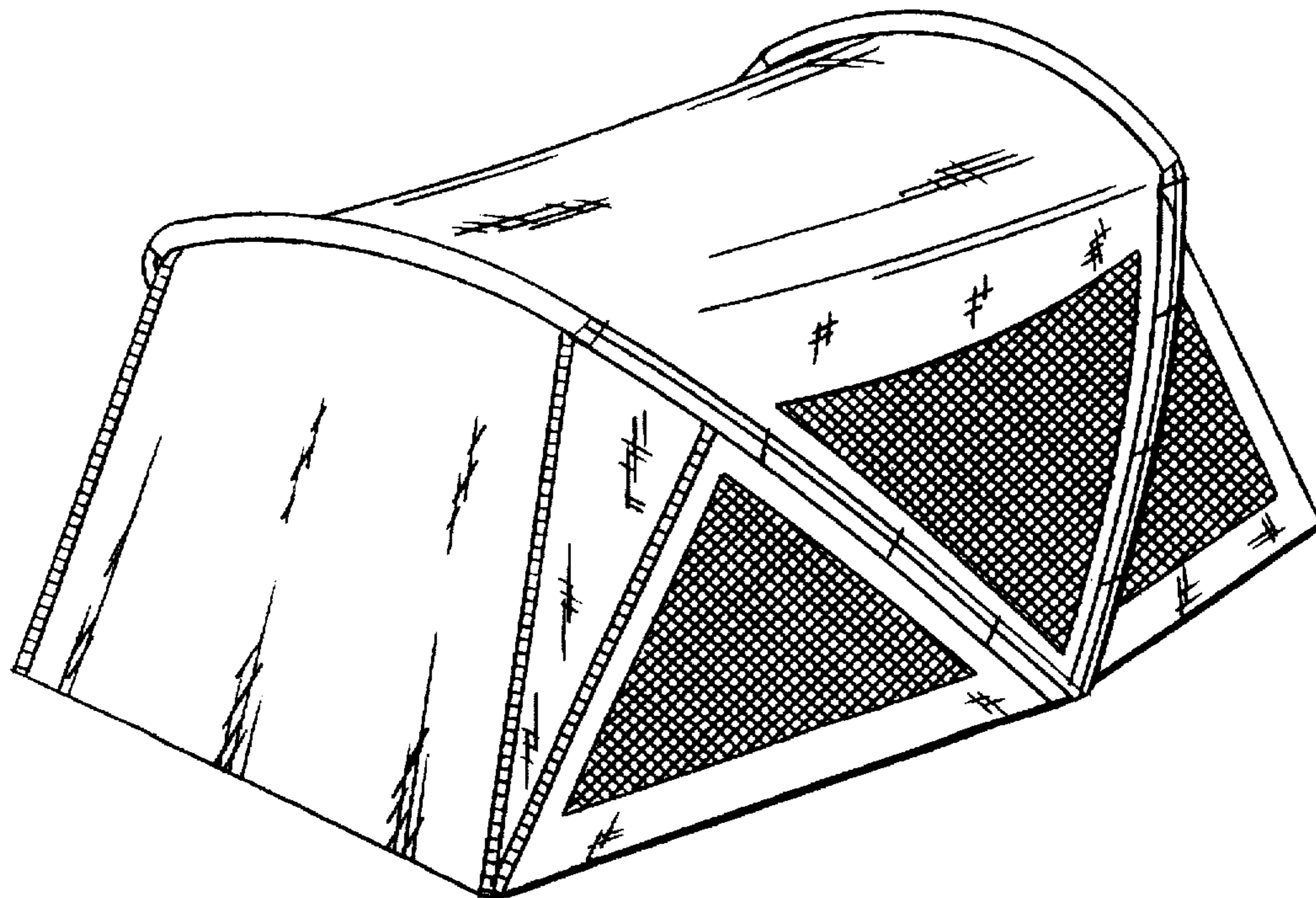


FIG. 1

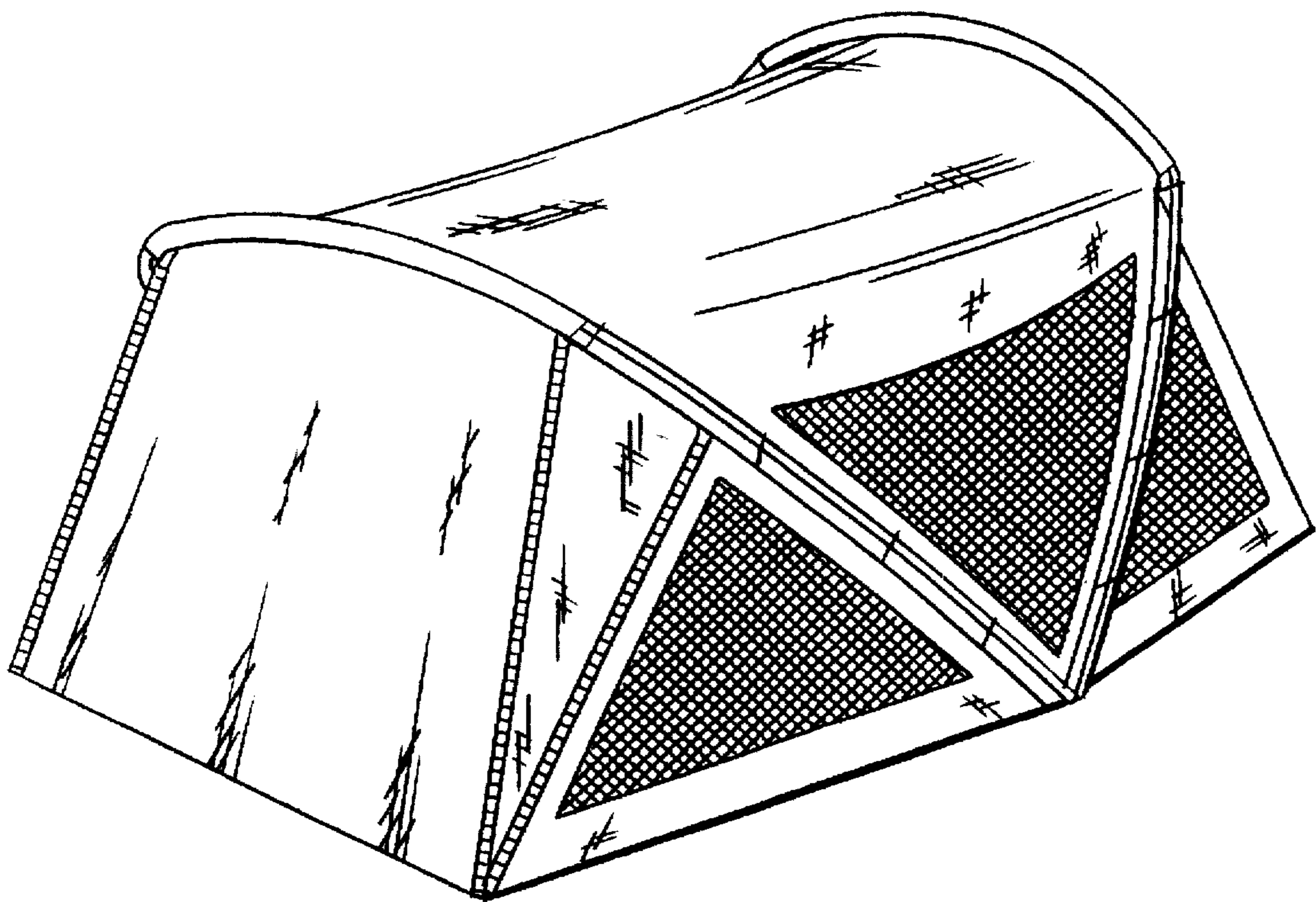


FIG. 2

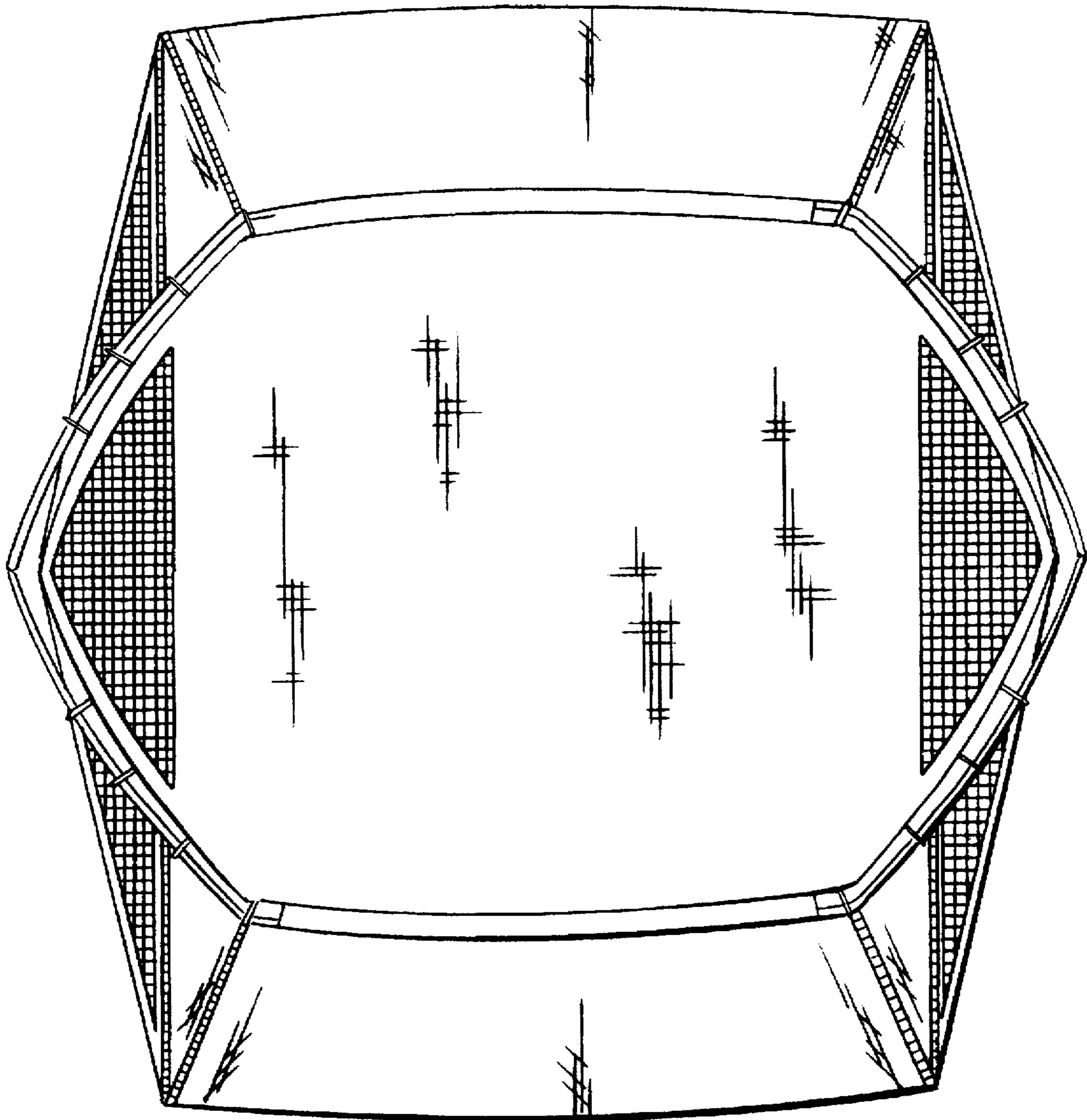


FIG. 3

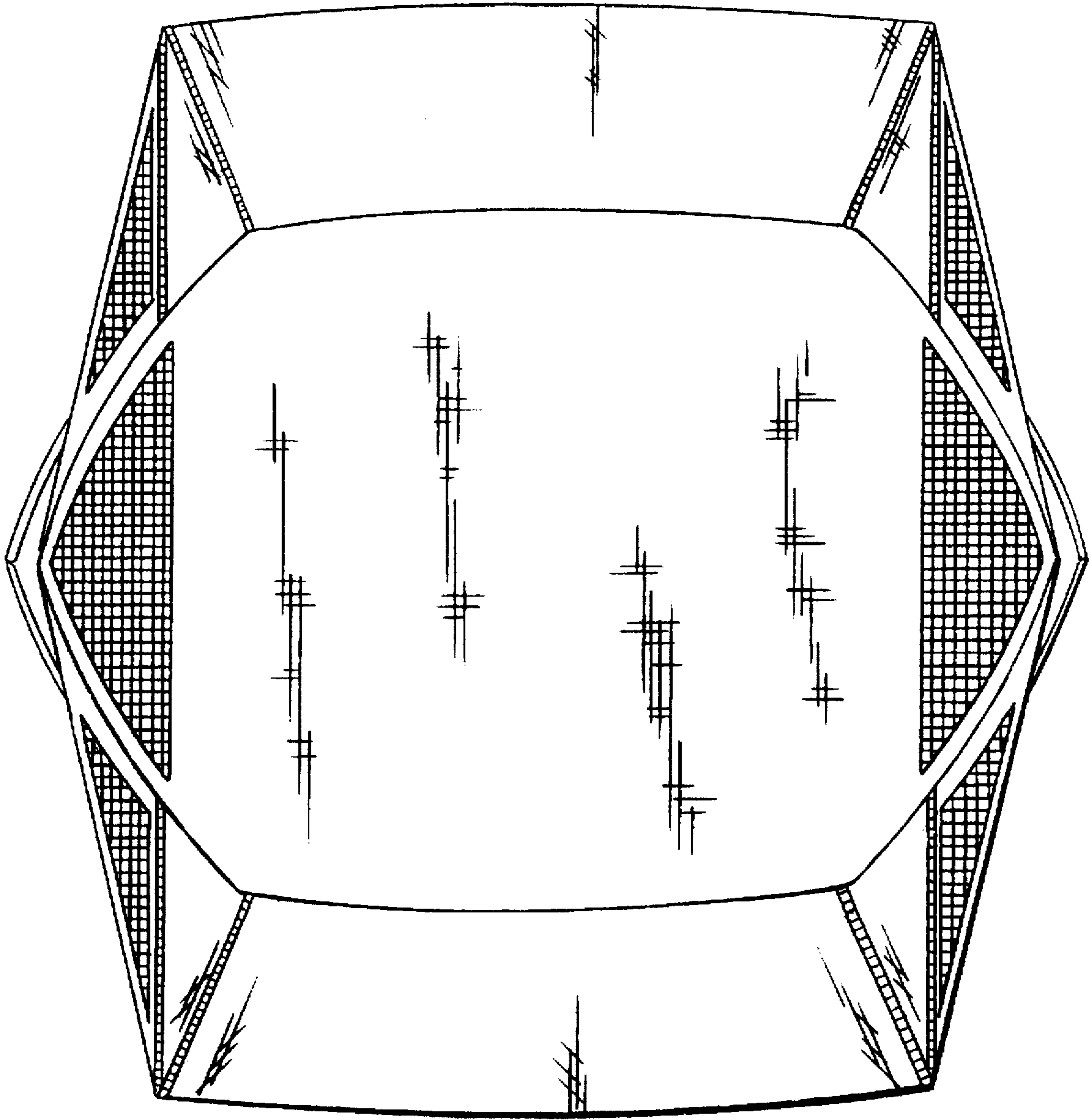


FIG. 4

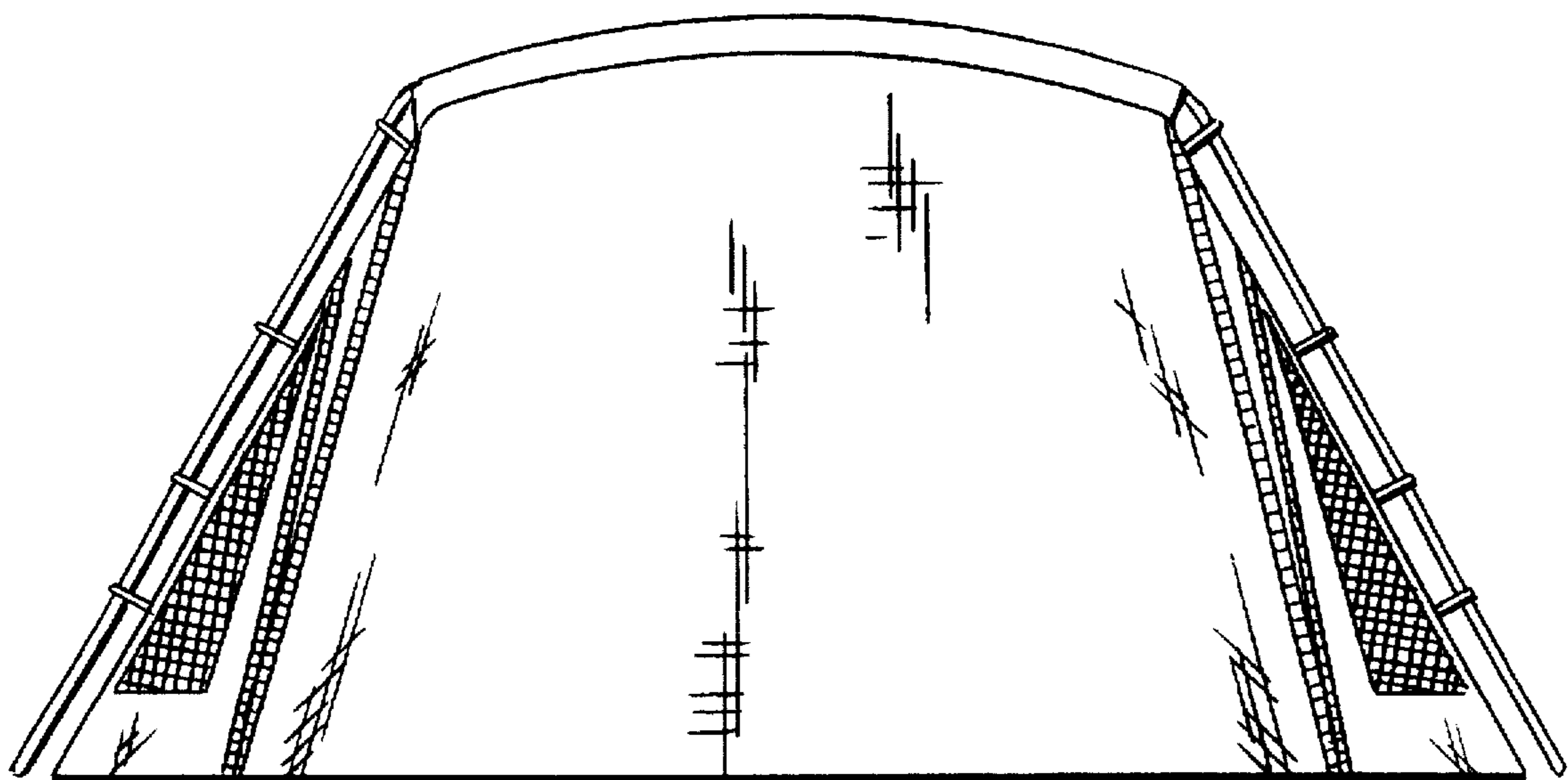


FIG. 5

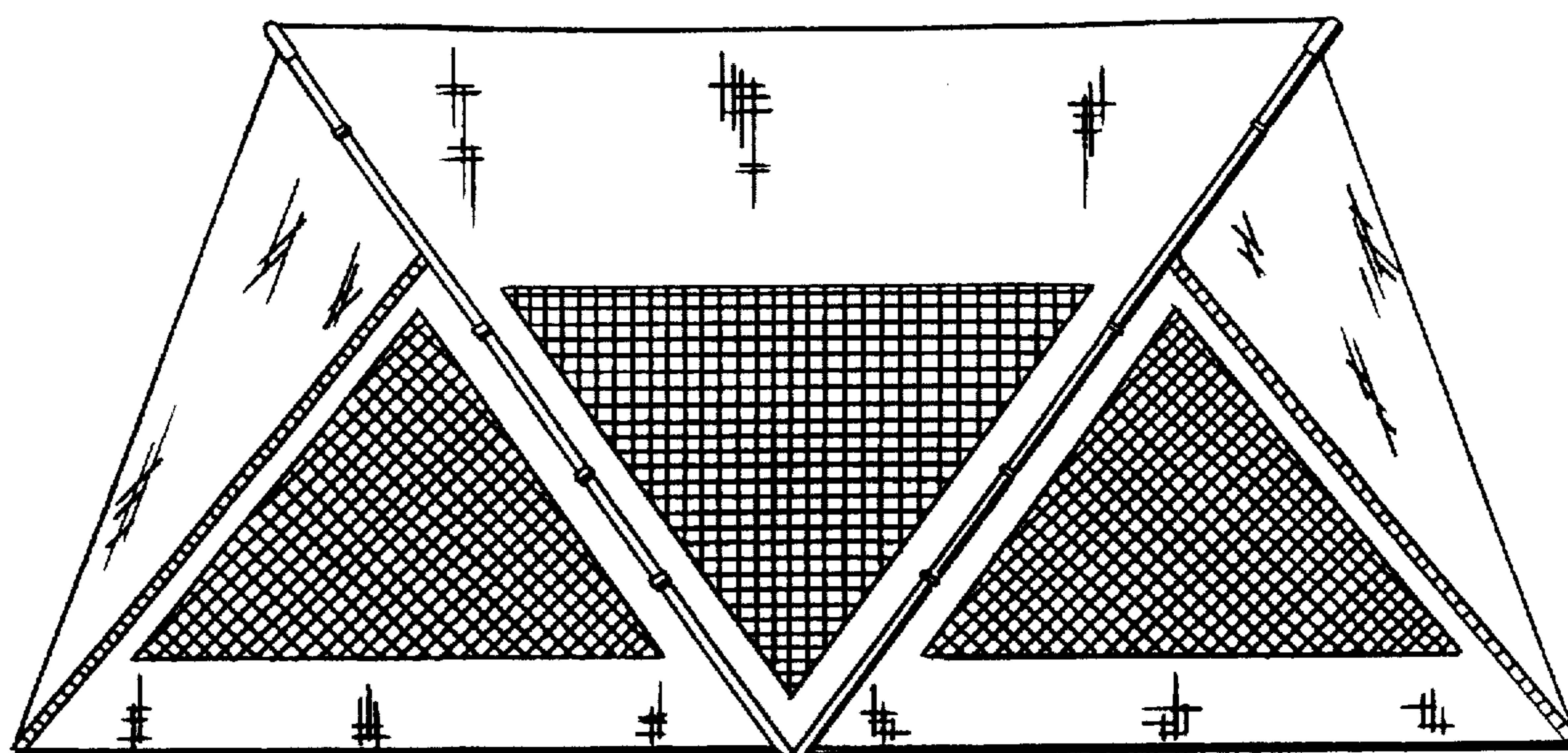


FIG. 6

