



US00D390906S

# United States Patent [19]

[11] Patent Number: **Des. 390,906**

Pipik et al.

[45] Date of Patent: **\*\*Feb. 17, 1998**

[54] **PLAY HOUSE**

[75] Inventors: **Nancy M. Pipik, Hudson; Kenneth D. Temple, Twinsburg, both of Ohio**

[73] Assignee: **The Little Tikes Company, Hudson, Ohio**

[\*\*] Term: **14 Years**

[21] Appl. No.: **56,962**

[22] Filed: **Jul. 12, 1996**

[51] LOC (6) Cl. .... **21-03**

[52] U.S. Cl. .... **D21/240**

[58] Field of Search ..... **D21/240-245, D21/108, 109, 114; 482/35, 36; 446/110, 476, 478**

D. 370,959 6/1996 Houry ..... D21/240 X  
D. 374,901 10/1996 Cacciola et al. .... D21/240  
D. 376,404 12/1996 Kelley ..... D21/114 X  
1,110,093 9/1914 Yauck .

### OTHER PUBLICATIONS

P. 39, Play house; Step2 Corporation, 10010 Aurora-Hudson Road, P. O. Box 2412, Streetsboro, Ohio 44241-0412. Publication date 1996.

P. 56 and 59, Play castle and cottage; The Little Tikes Company, 2180 Barlow Road, Hudson, Ohio 44236. Publication date 1994.

*Primary Examiner*—Raphael Barkai  
*Assistant Examiner*—Mitchell I. Siegel  
*Attorney, Agent, or Firm*—Richard B. O’Planick; Lisa B. Riedesel

### [56] References Cited

#### U.S. PATENT DOCUMENTS

- D. 170,143 8/1953 Beethoven .
- D. 176,551 1/1956 Patterson .
- D. 240,252 6/1976 Orenstein .
- D. 246,739 12/1977 Cartblanco .
- D. 250,057 10/1978 Morrison et al. .
- D. 256,383 8/1980 Clanton ..... D21/114
- D. 274,343 6/1984 Goldberg et al. .... D21/114
- D. 281,986 12/1985 Nottingham et al. .... D21/114
- D. 322,101 12/1991 Mariol ..... D21/114
- D. 340,482 10/1993 Aker et al. .... D21/114
- D. 340,956 11/1993 Temple ..... D21/116
- D. 351,637 10/1994 Neidig ..... D21/240

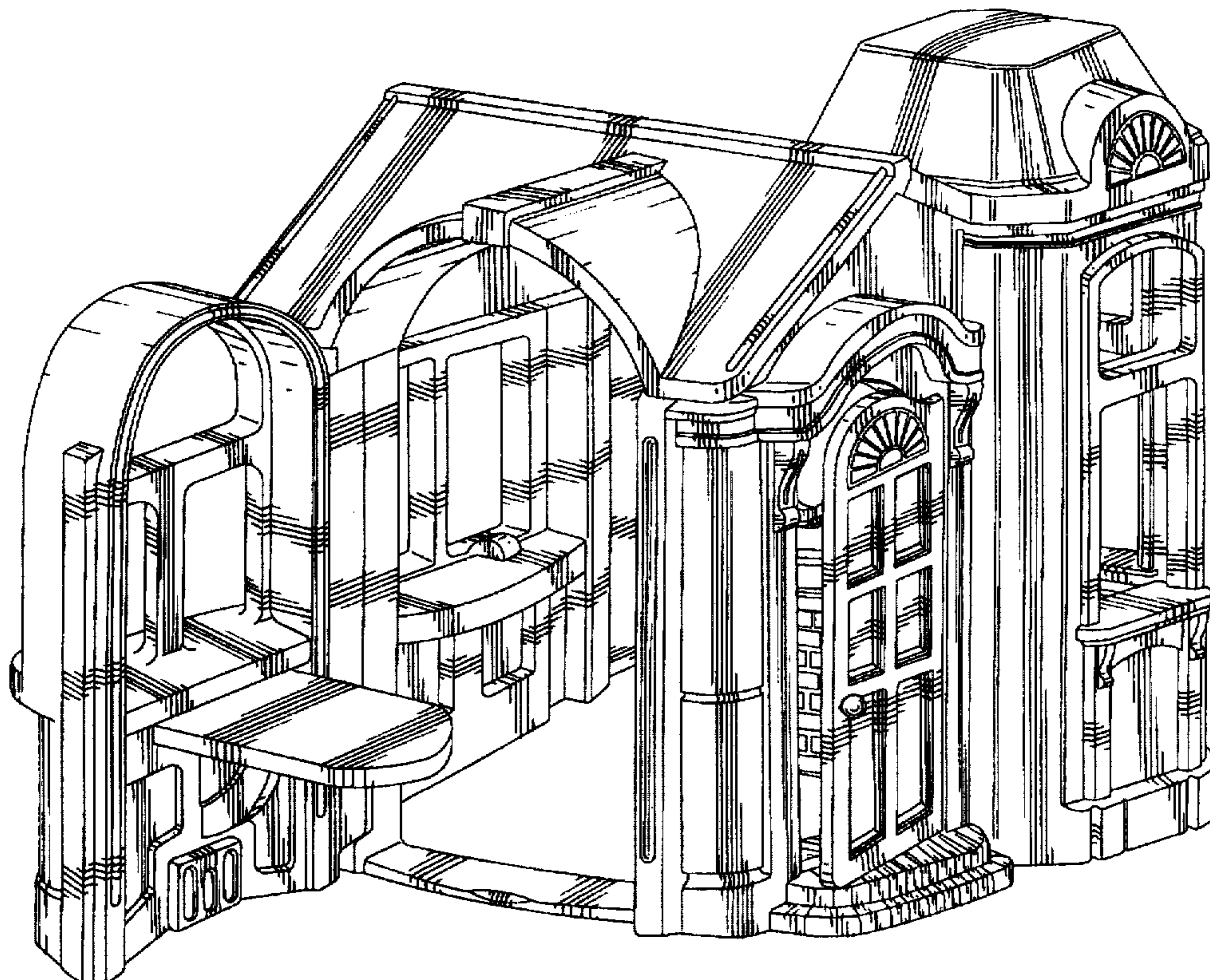
### [57] CLAIM

The ornamental design for a play house, as shown and described.

### DESCRIPTION

FIG. 1 is a top front perspective view of a play house showing our new design;  
FIG. 2 is a left side elevational view thereof;  
FIG. 3 is a front elevational view thereof;  
FIG. 4 is a right side elevational view thereof;  
FIG. 5 is a rear elevational view thereof;  
FIG. 6 is a top plan view thereof; and,  
FIG. 7 is a bottom plan view thereof.

1 Claim, 7 Drawing Sheets



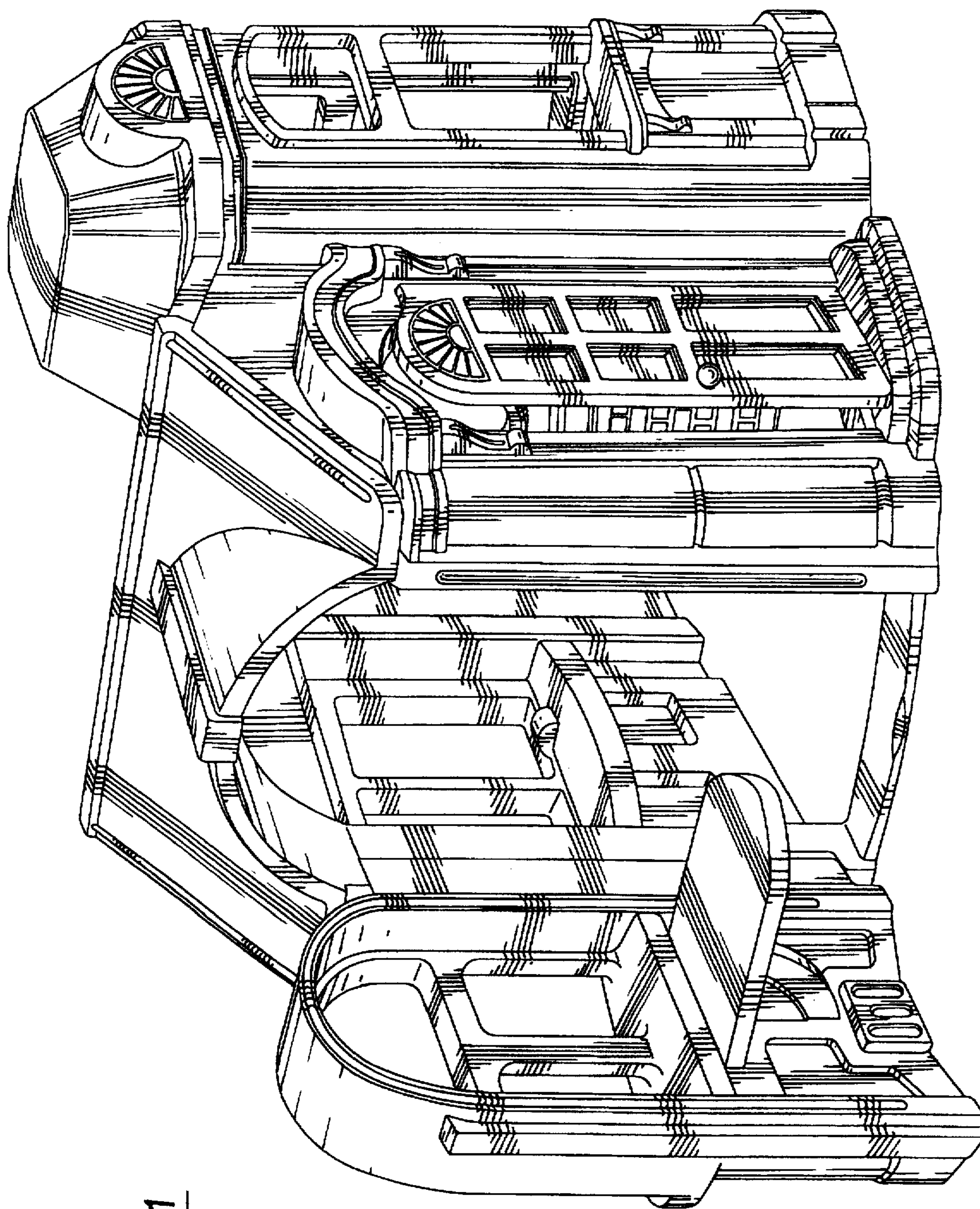


Fig-1

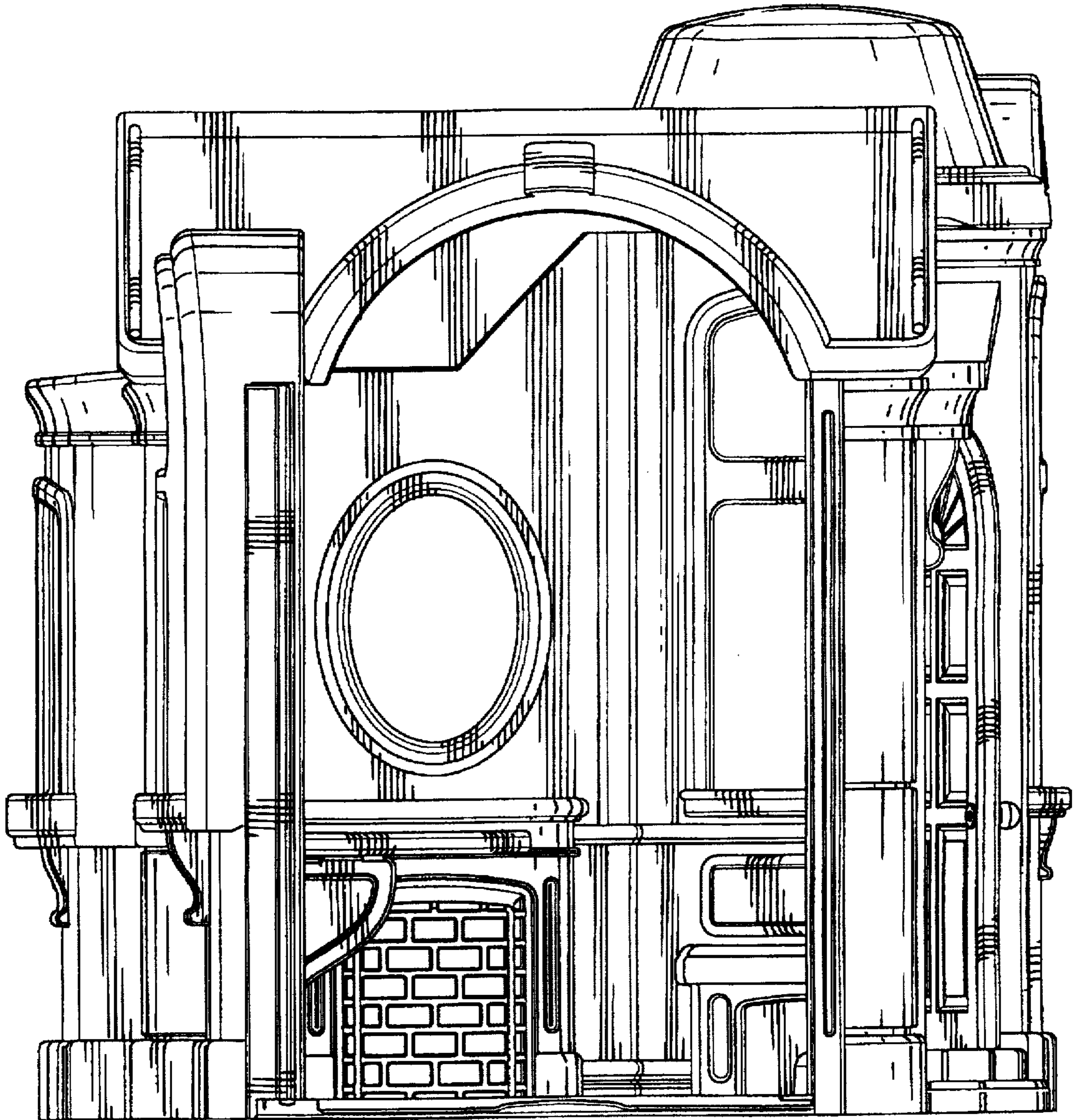
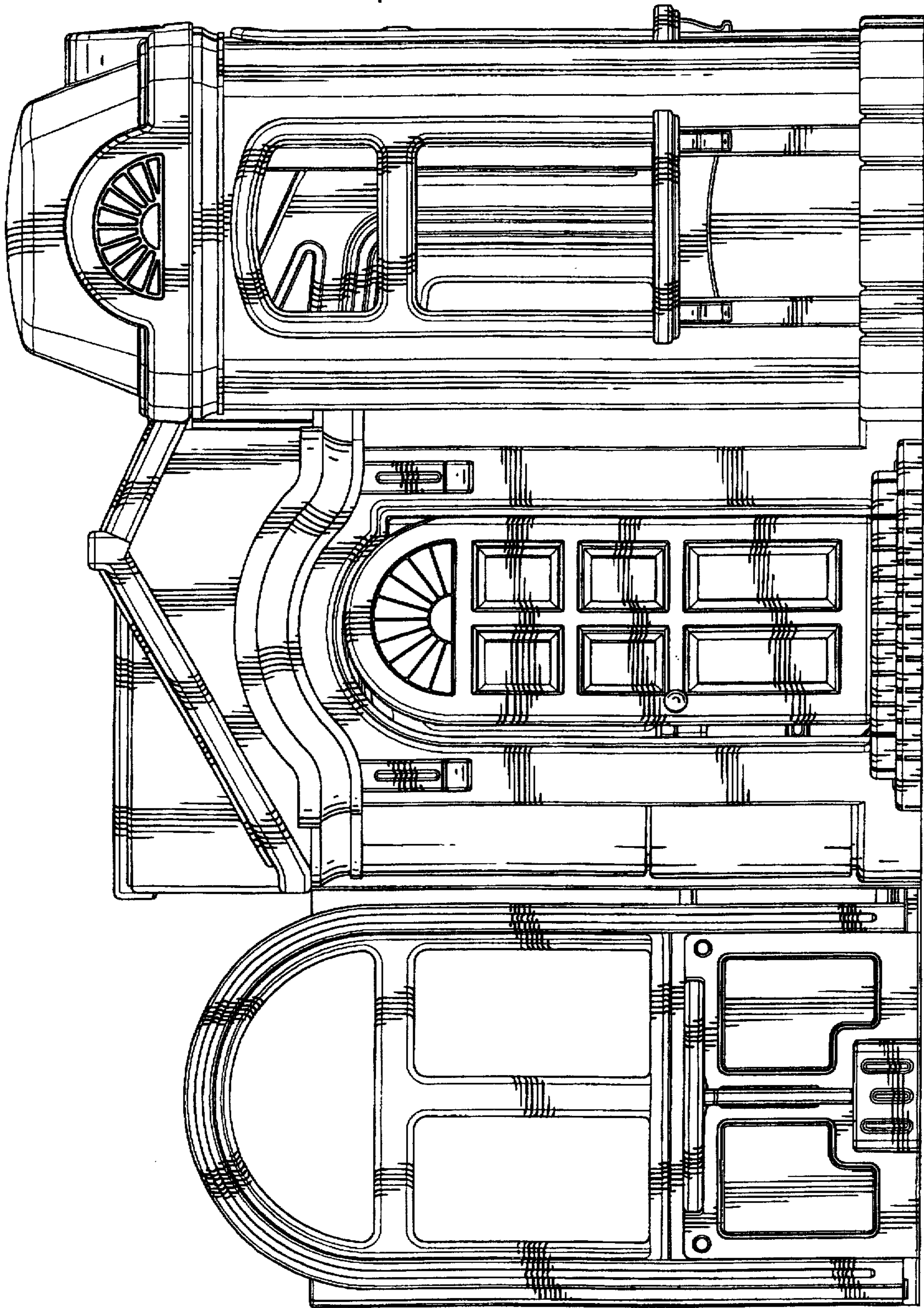


Fig-2

Fig-3



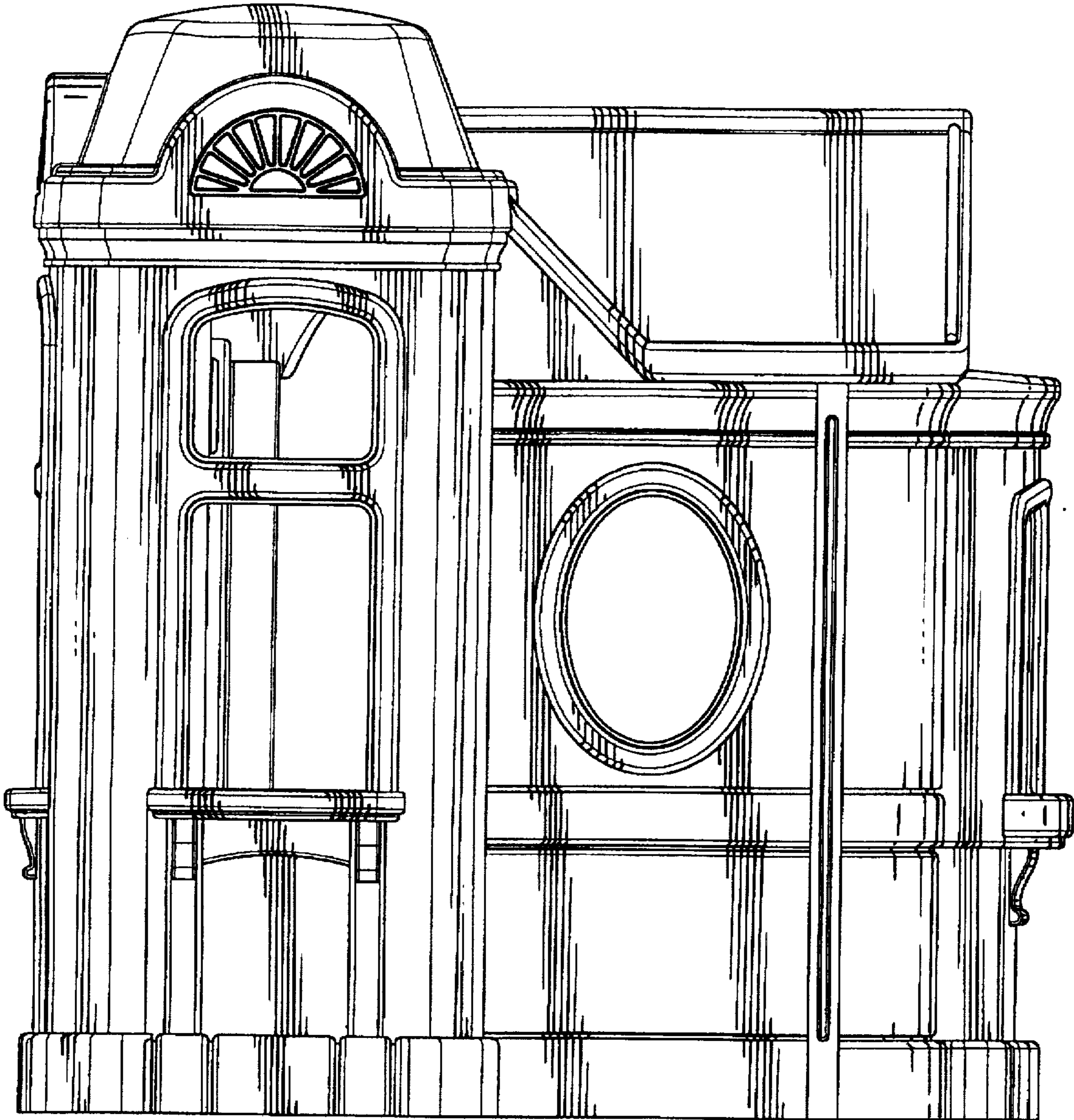
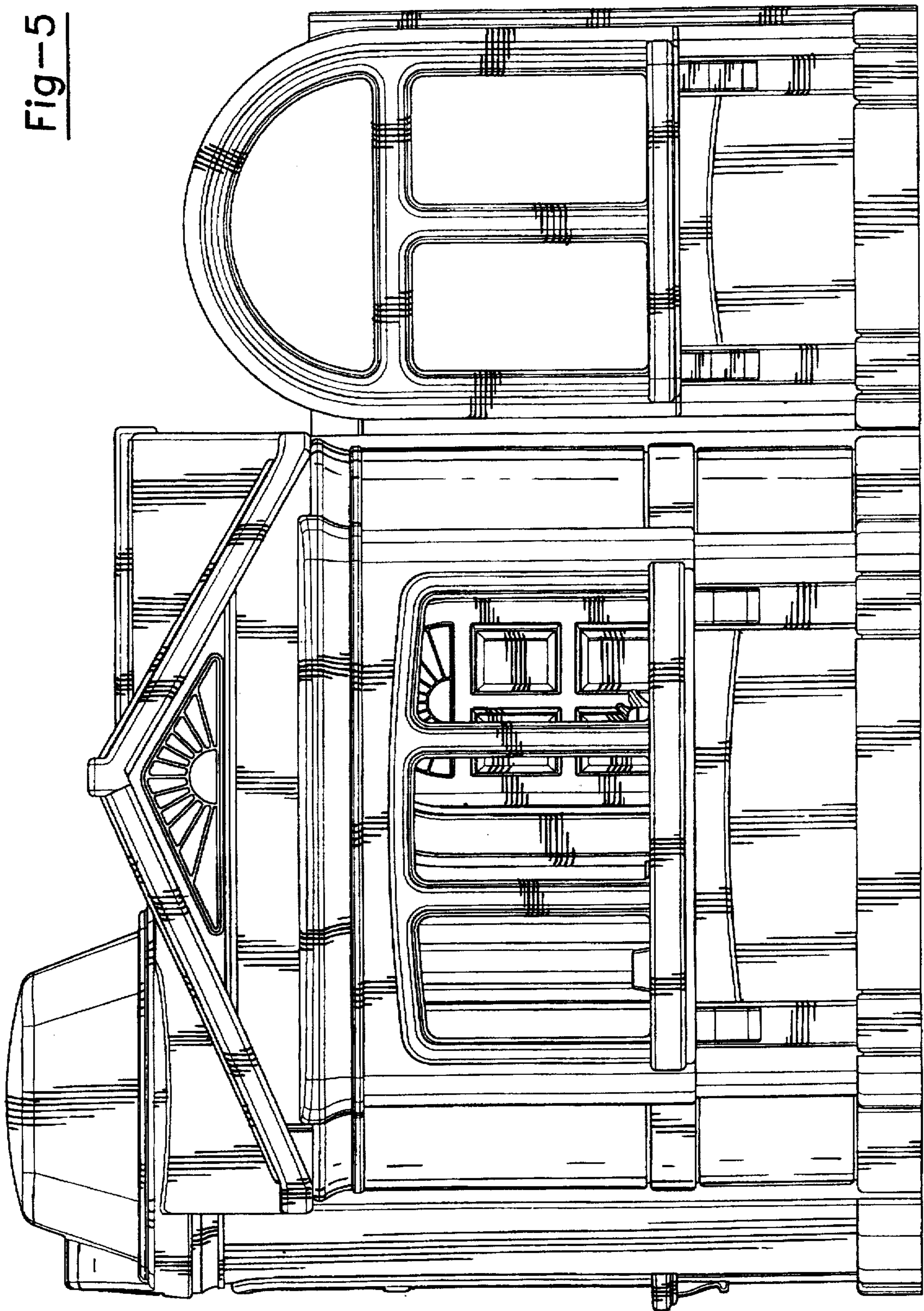


Fig-4

Fig-5



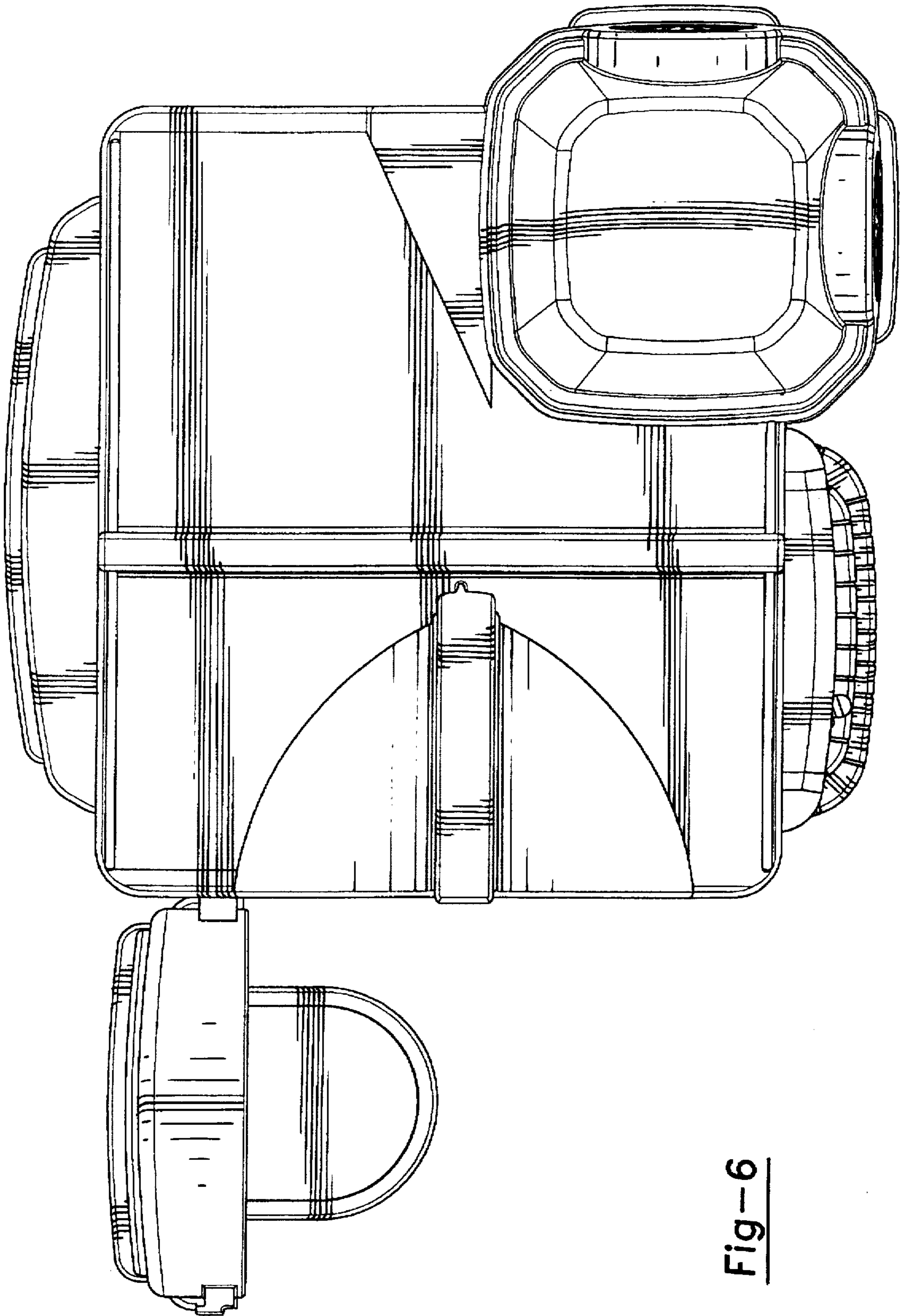


Fig-6

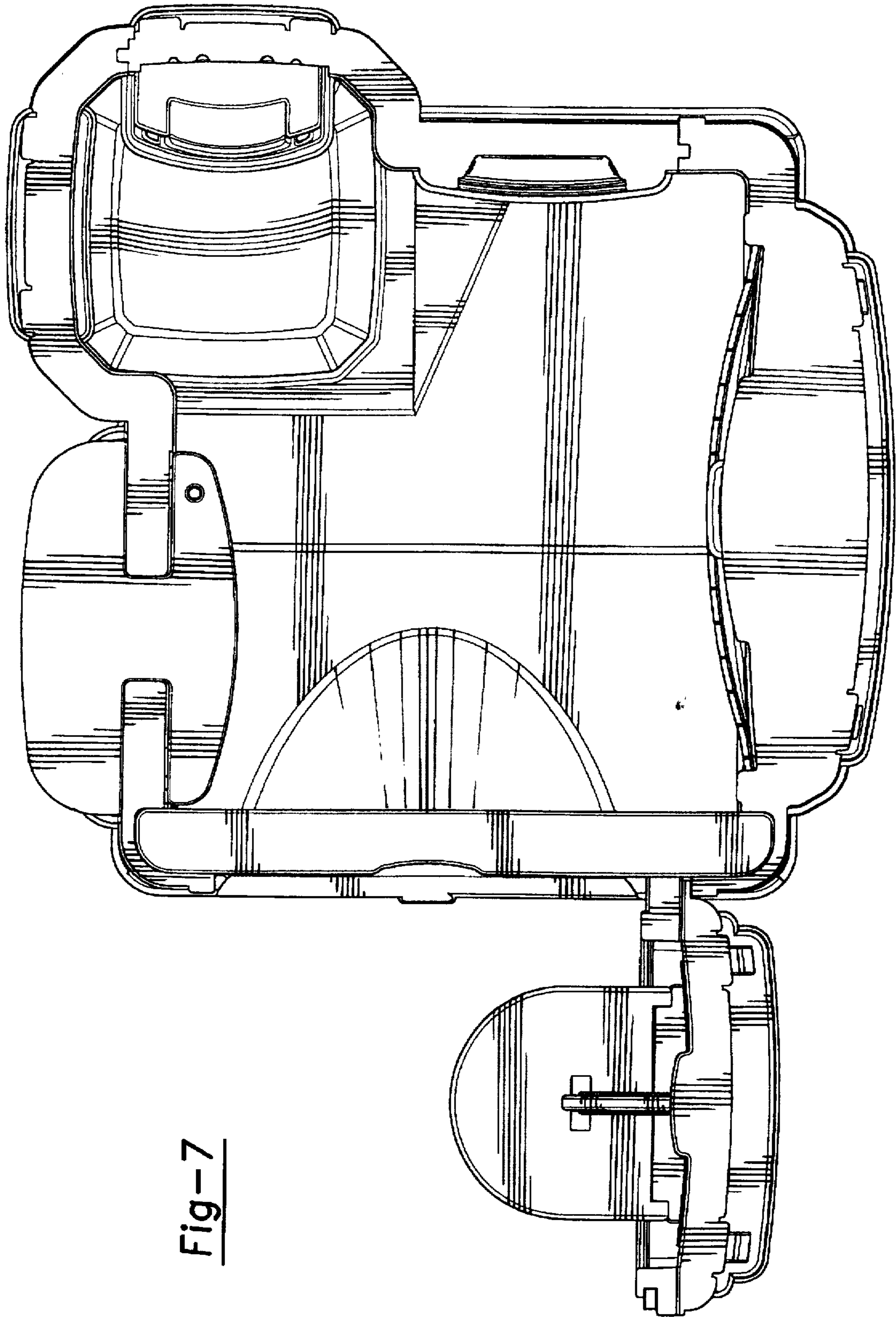


Fig-7