



US00D390895S

# United States Patent [19]

[11] Patent Number: **Des. 390,895**

Brefka et al.

[45] Date of Patent: **\*\*Feb. 17, 1998**

[54] **FOUR-STATION HOME GYM**

4,932,654	6/1990	Batca .....	482/104
5,069,447	12/1991	Snyderman et al. ....	482/104
5,290,213	3/1994	Sheikowitz .....	482/104
5,348,523	9/1994	Blount .....	482/104

[75] Inventors: **Paul E. Brefka**, Southborough; **David G. Kmetz**, Douglas, both of Mass.

[73] Assignee: **CSA, Inc.**, South Easton, Mass.

*Primary Examiner*—Philip S. Hyder  
*Attorney, Agent, or Firm*—Herbert L. Bello

[\*\*] Term: **14 Years**

### [57] CLAIM

[21] Appl. No.: **53,072**

The ornamental design for a four-station home gym, as shown and described.

[22] Filed: **Apr. 16, 1996**

### DESCRIPTION

[51] LOC (6) Cl. .... **21-02**

[52] U.S. Cl. .... **D21/191**

[58] Field of Search ..... D21/191, 195;  
482/104, 133, 134, 142

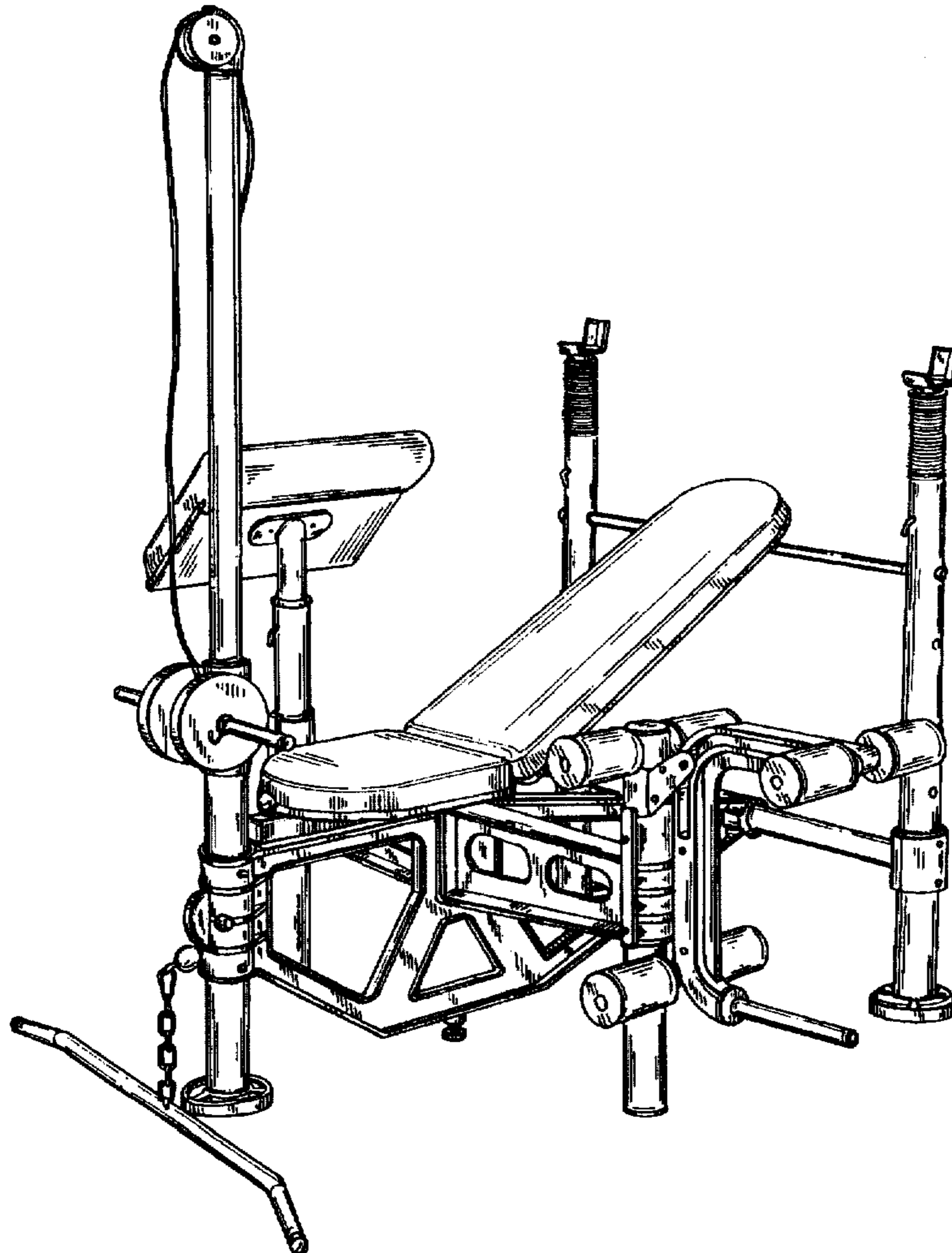
FIG. 1 is a perspective view of a four-station home gym showing our new design;  
FIG. 2 is a front elevational view thereof, the rear elevational view being a mirror image thereof;  
FIG. 3 is a rear elevational view thereof;  
FIG. 4 is a right side elevational view thereof;  
FIG. 5 is a left elevational view thereof;  
FIG. 6 is a top plan view thereof; and  
FIG. 7 is a bottom plan view thereof.

### [56] References Cited

#### U.S. PATENT DOCUMENTS

D. 284,297	6/1986	Mahnke .....	D21/195
D. 327,719	7/1992	Towley, III et al. ....	D21/191
D. 366,915	2/1996	Clem .....	D21/195
4,746,114	5/1988	Grider .....	482/104
4,861,025	8/1989	Rockwell .....	482/104

**1 Claim, 7 Drawing Sheets**



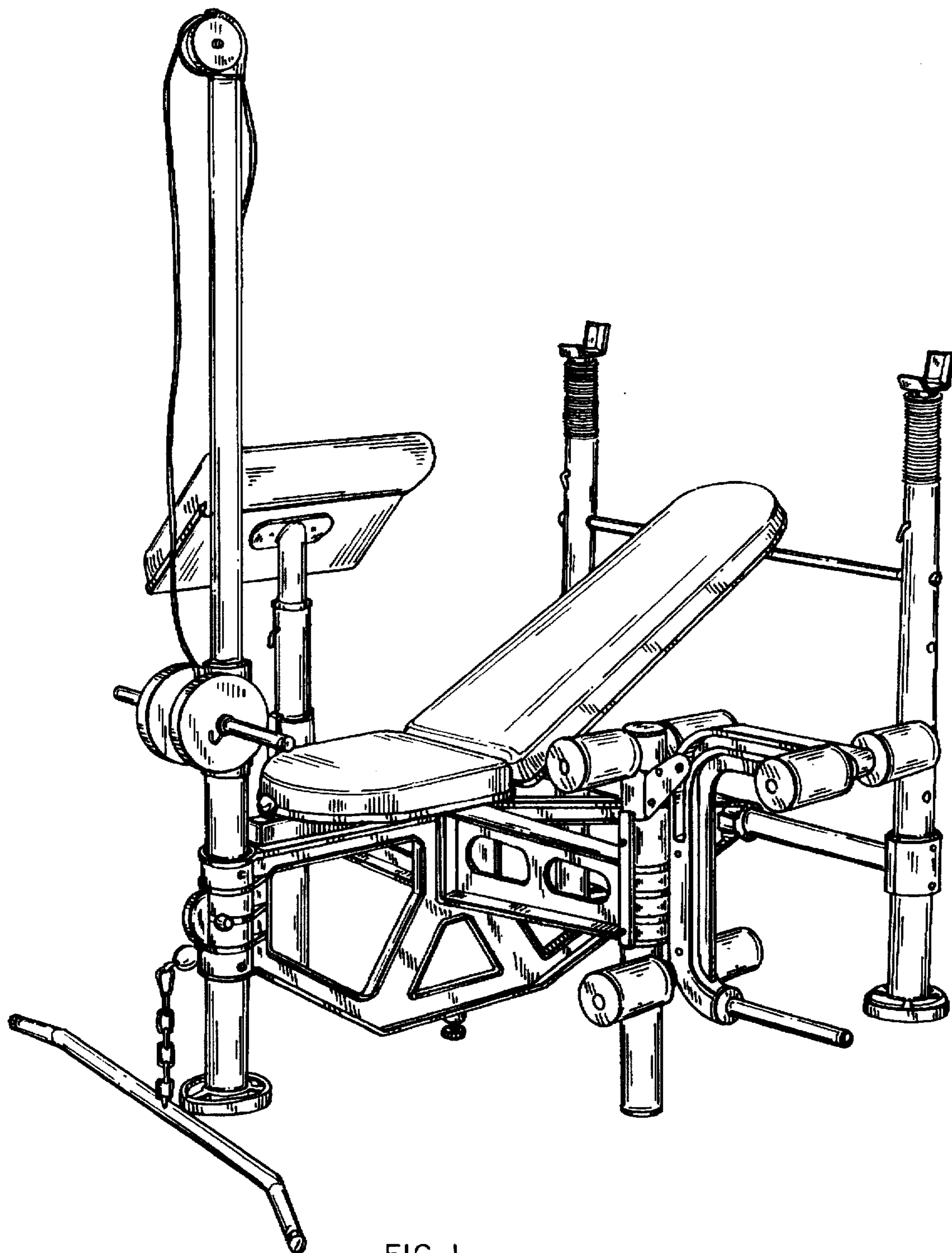


FIG. 1

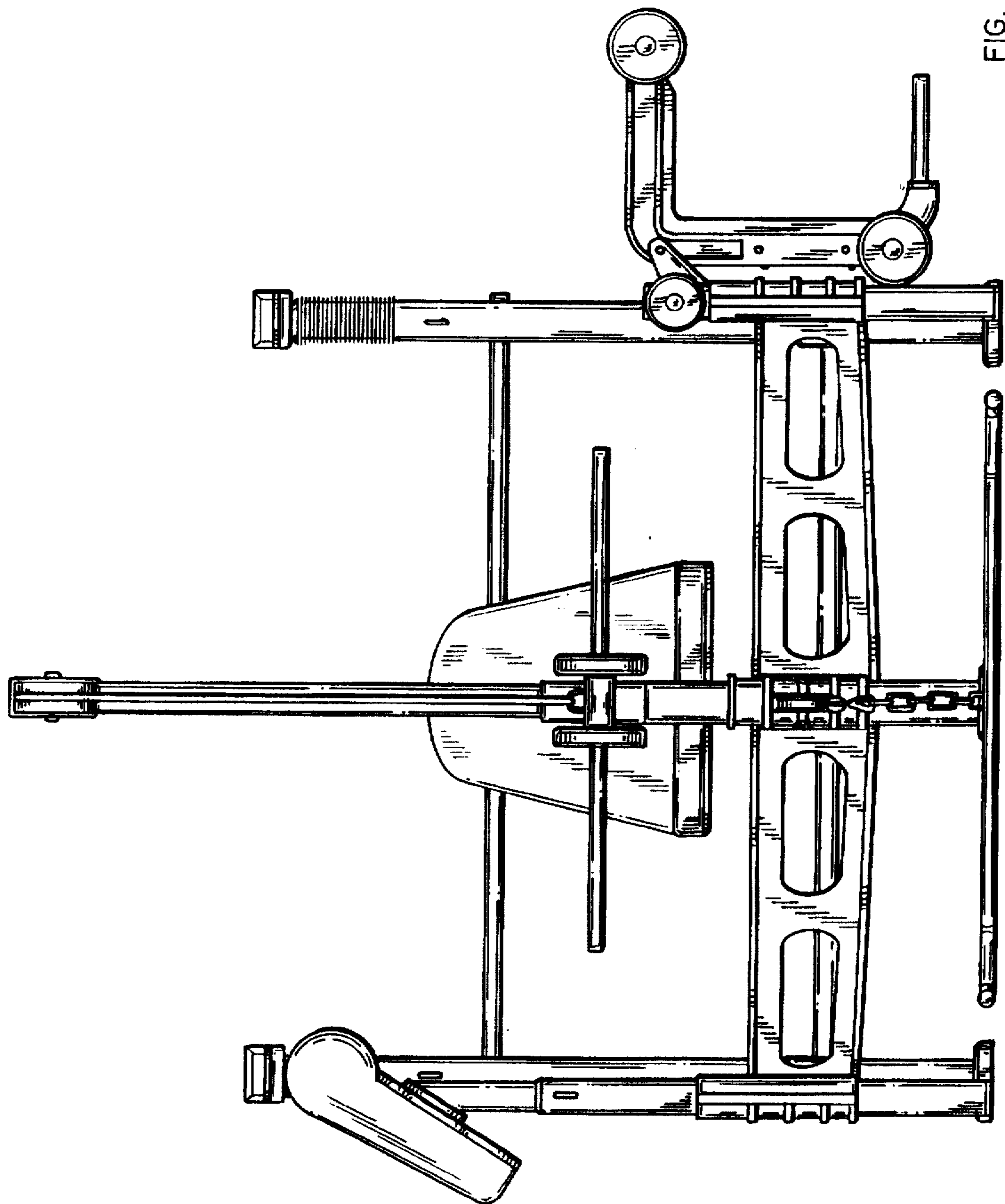


FIG. 2

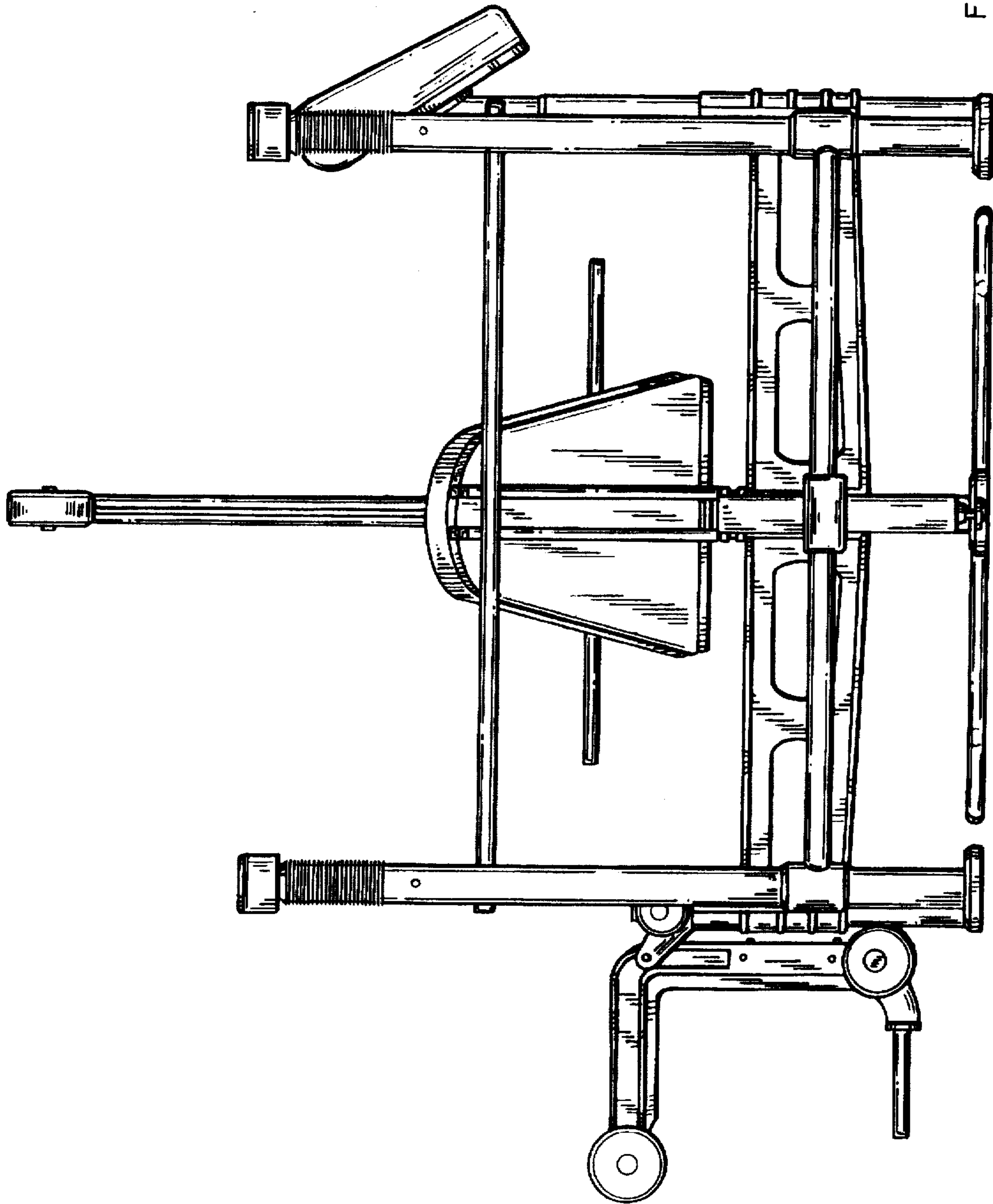


FIG. 3

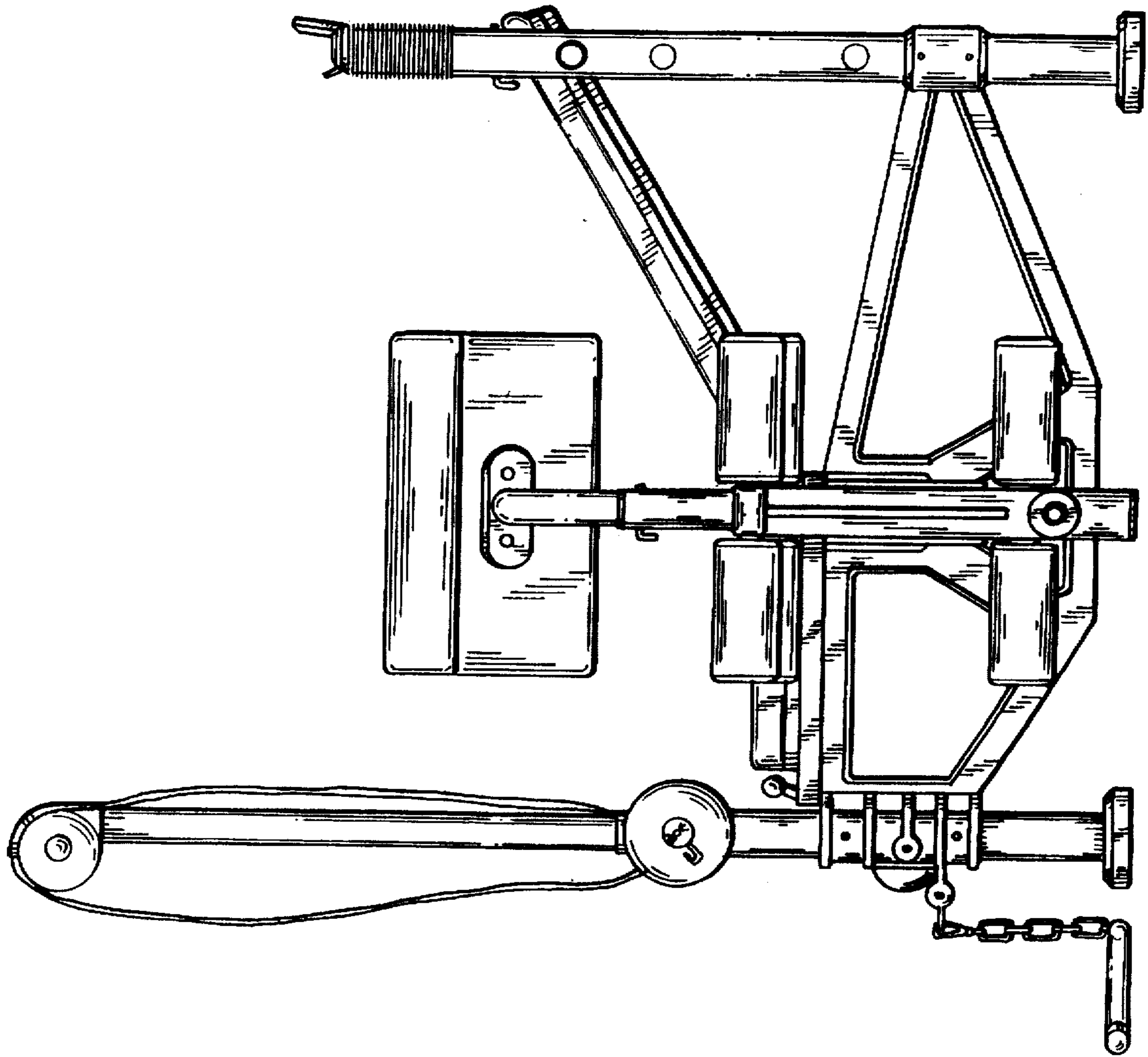


FIG. 4

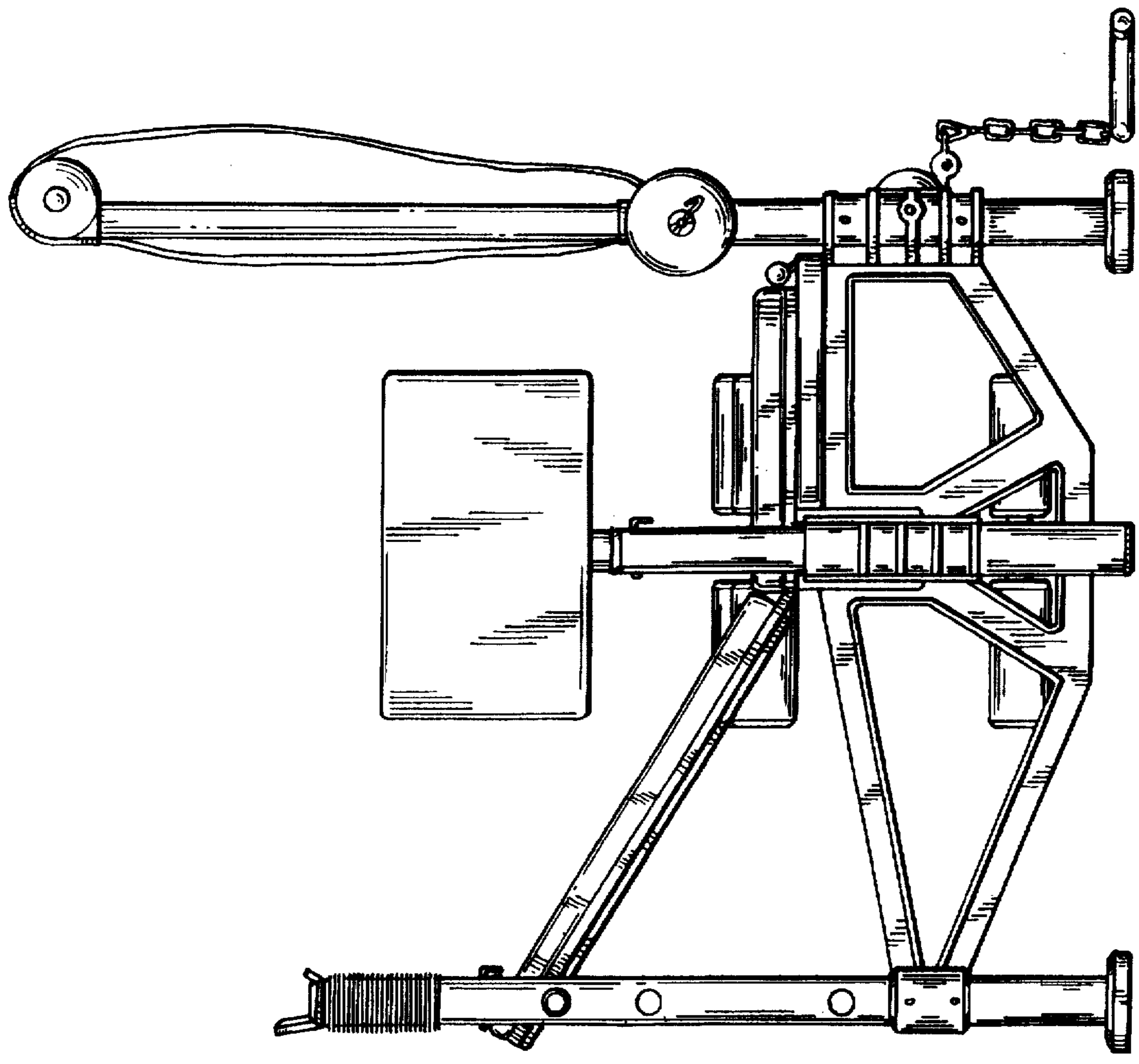


FIG. 5

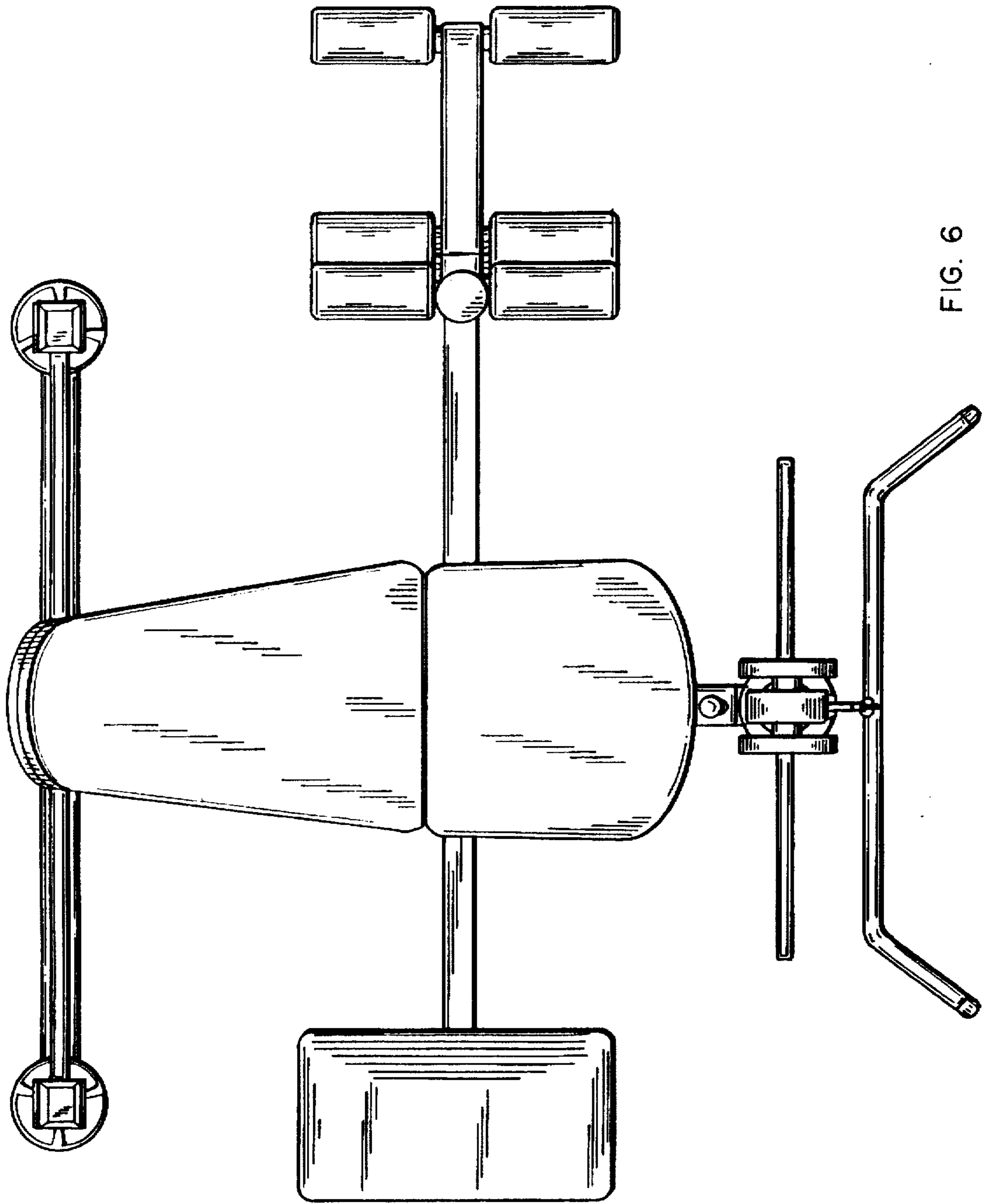


FIG. 6

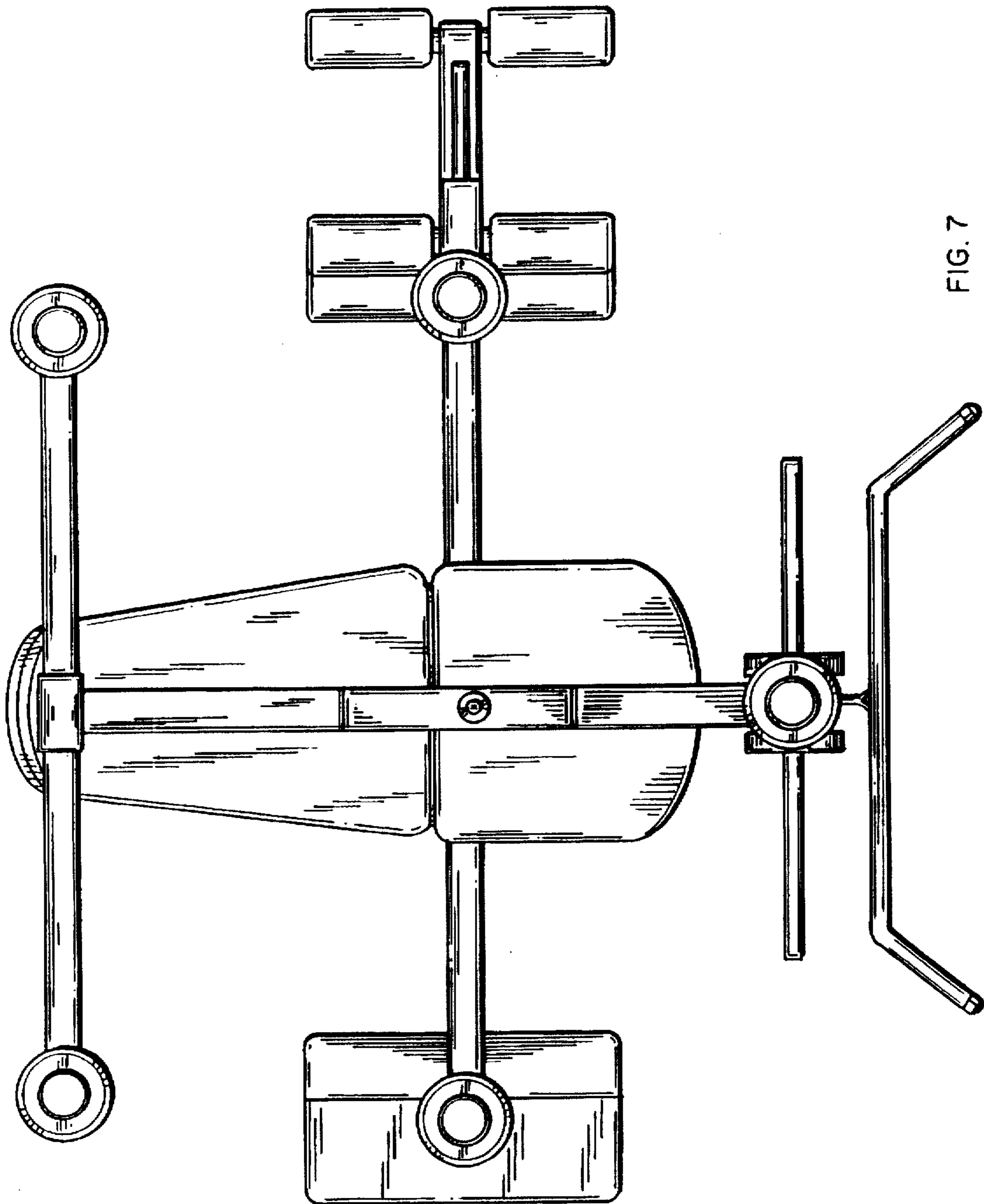


FIG. 7