



US00D390892S

United States Patent [19]
D'Andrade

[11] **Patent Number: Des. 390,892**
[45] **Date of Patent: **Feb. 17, 1998**

[54] **SHOTGUN TOY WATER GUN**
[76] **Inventor: Bruce M. D'Andrade, 3 Ten Eyck Rd.,
Whitehouse Station, N.J. 08889**

3,952,446 4/1976 Gybowski 446/405
5,074,437 12/1991 D'Andrade 446/473
5,150,819 9/1992 Johnson et al. 229/79
5,531,627 7/1996 Deal 446/473

[**] **Term: 14 Years**

Primary Examiner—Raphael Barkai
Attorney, Agent, or Firm—Kenneth P. Glynn

[21] **Appl. No.: 56,423**

[57] **CLAIM**

[22] **Filed: Jun. 28, 1996**

The ornamental design for a shotgun toy water gun, as shown and described.

[51] **LOC (6) Cl. 21-01**

[52] **U.S. Cl. D21/147**

[58] **Field of Search D21/13, 145-147,
D21/141; D22/103; 446/192, 405, 473;
482/12, 83; 222/78, 79; 273/148 B; 463/37,
38, 39; 124/78, 6, 16, 27**

DESCRIPTION

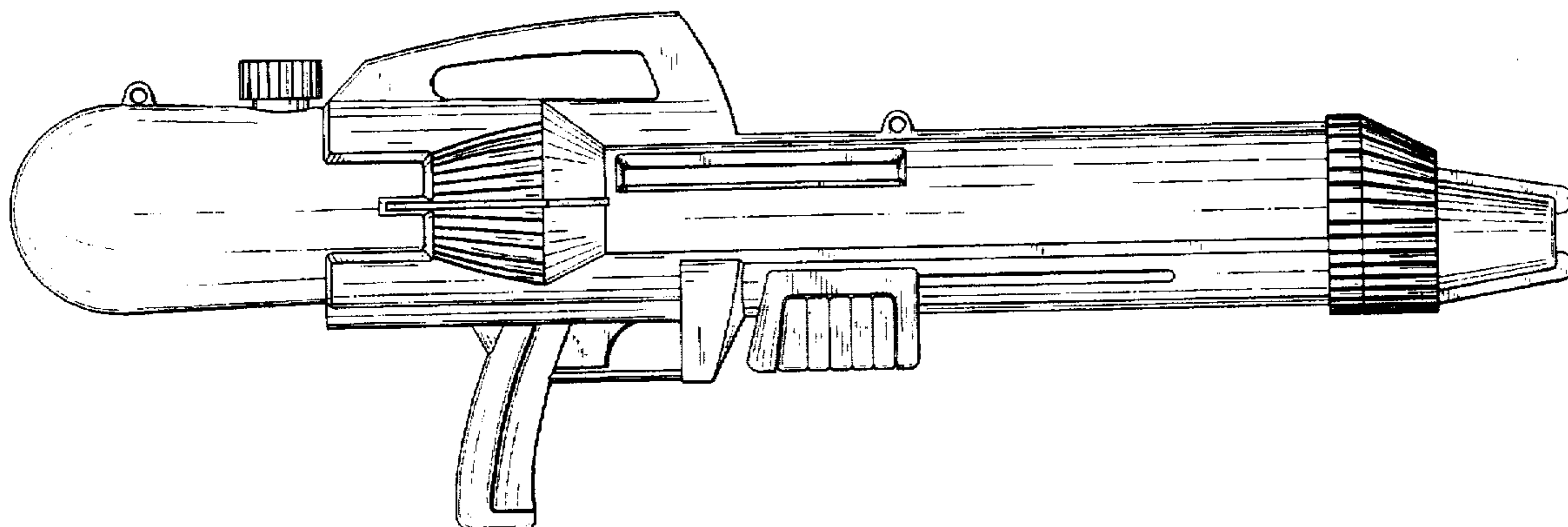
FIG. 1 is a right side elevational view of a shotgun toy water gun showing my new design;
FIG. 2 is a left side elevational view thereof;
FIG. 3 is a rear elevational view thereof;
FIG. 4 is a front elevational view thereof;
FIG. 5 is a top plan view thereof; and,
FIG. 6 is a bottom plan view thereof.

[56] **References Cited**

U.S. PATENT DOCUMENTS

D. 344,556 2/1994 Liu D21/147
D. 374,463 10/1996 Butler et al. D21/13
3,088,451 5/1963 Crosby et al. 124/27

1 Claim, 4 Drawing Sheets



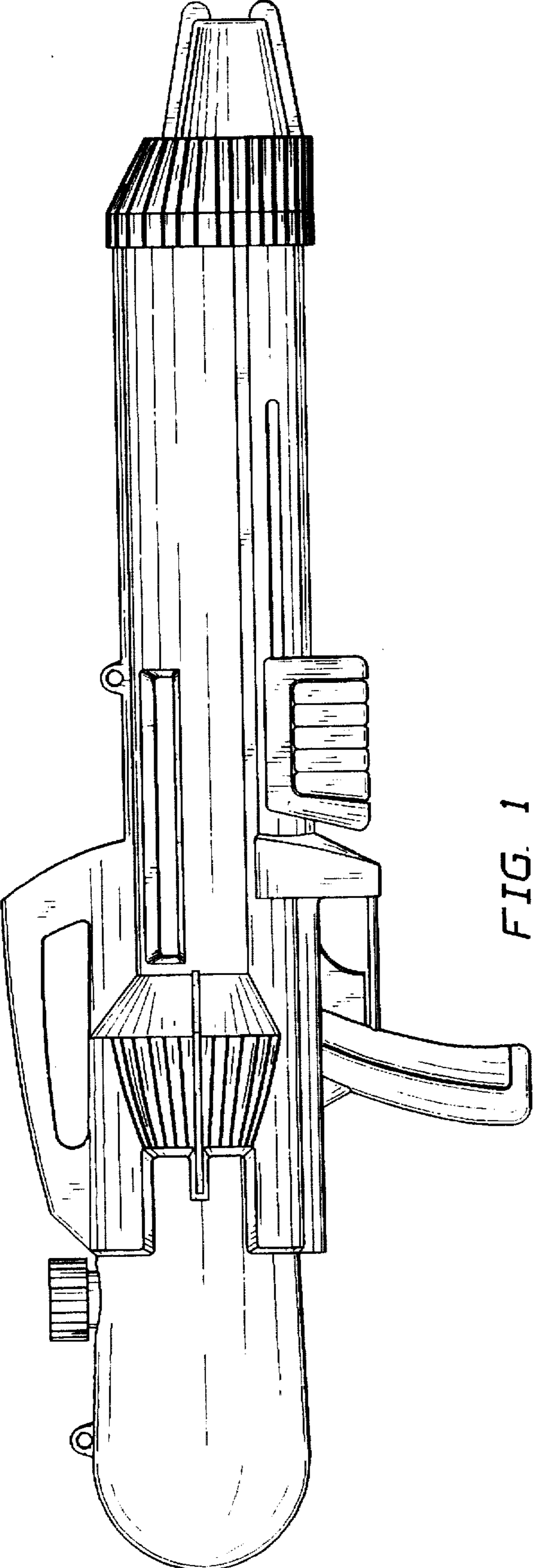


FIG. 1

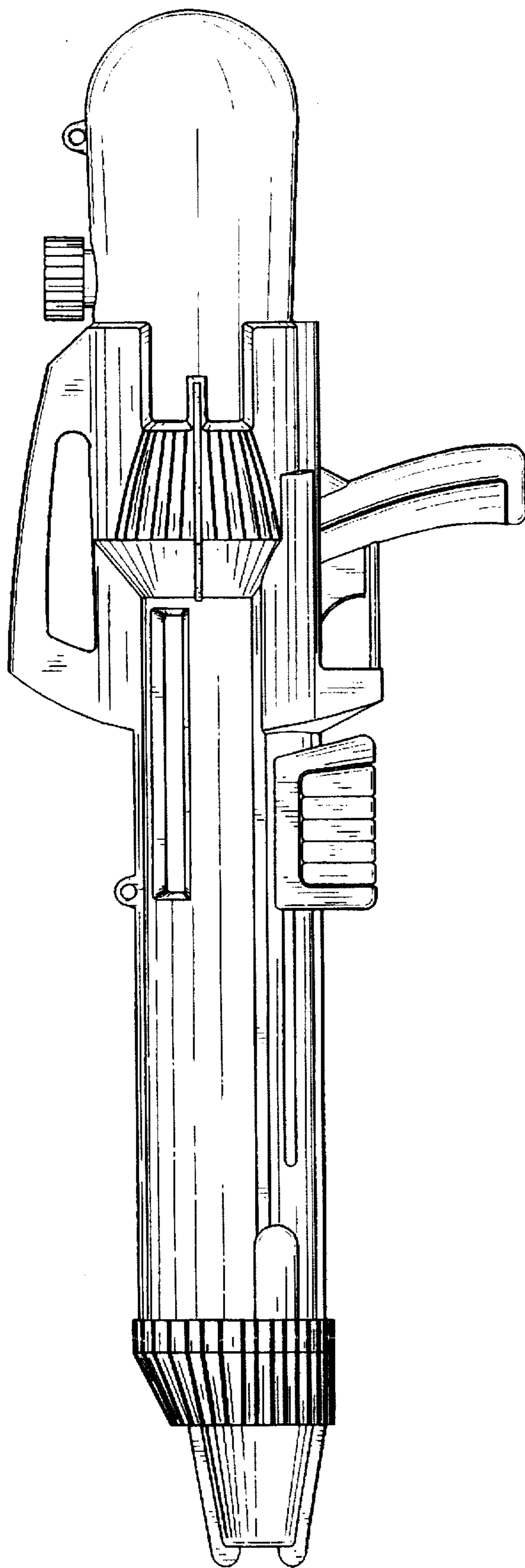


FIG. 2

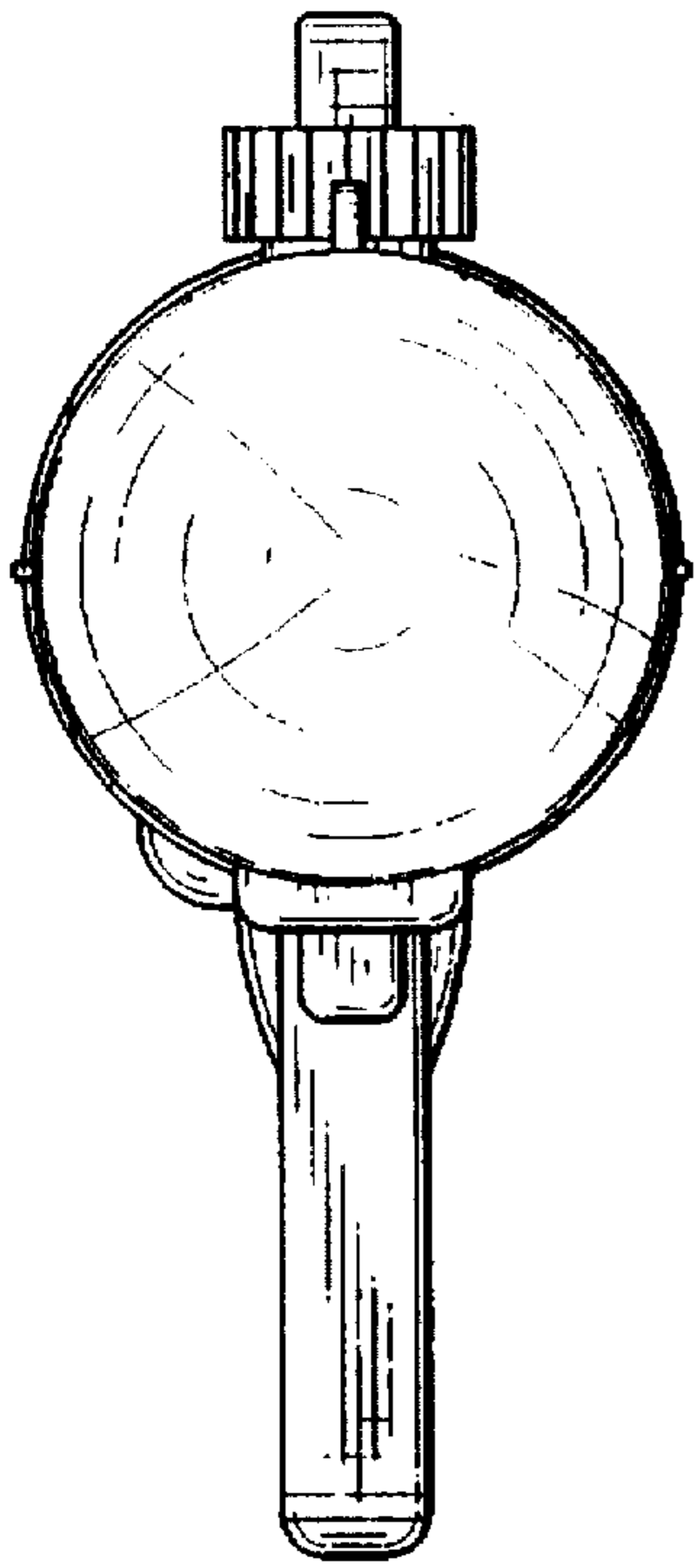


FIG. 3

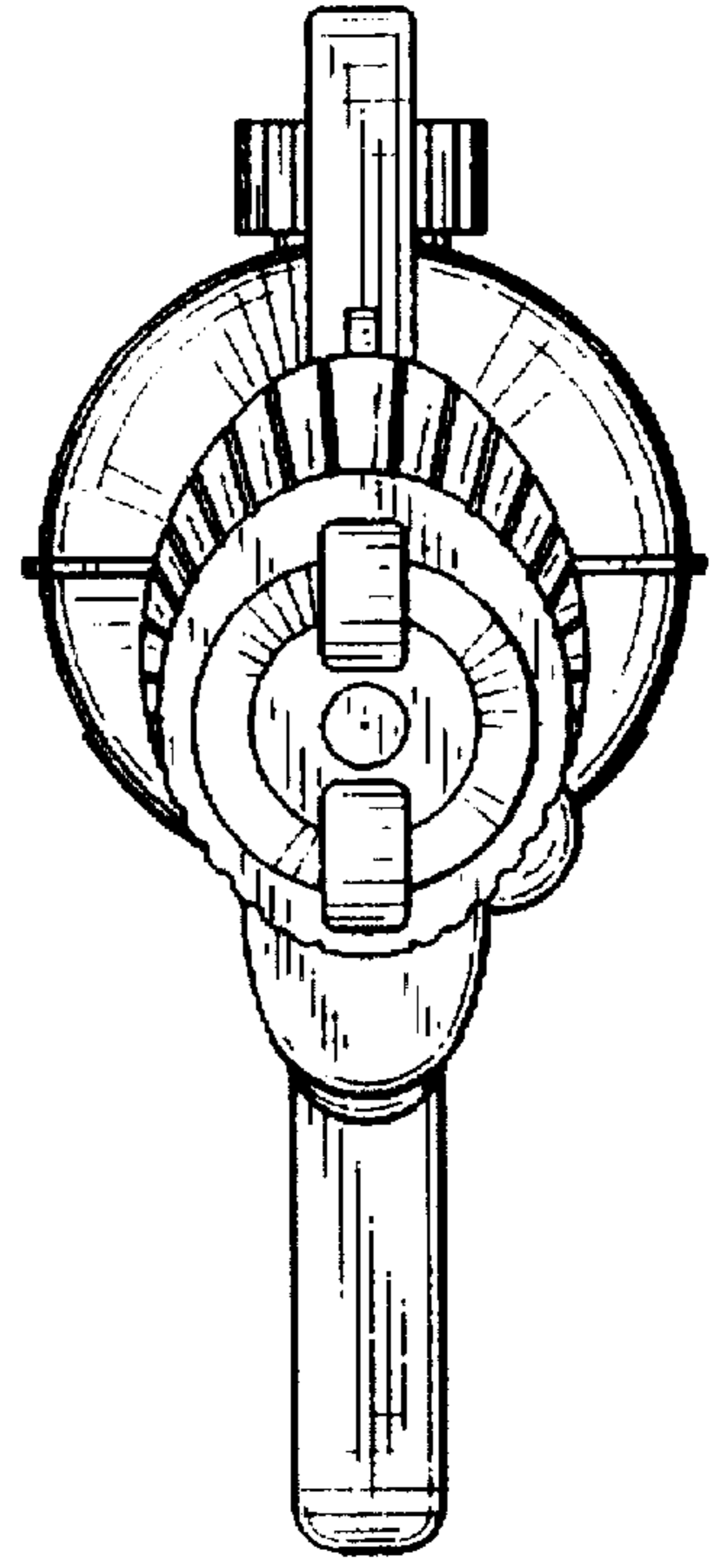


FIG. 4

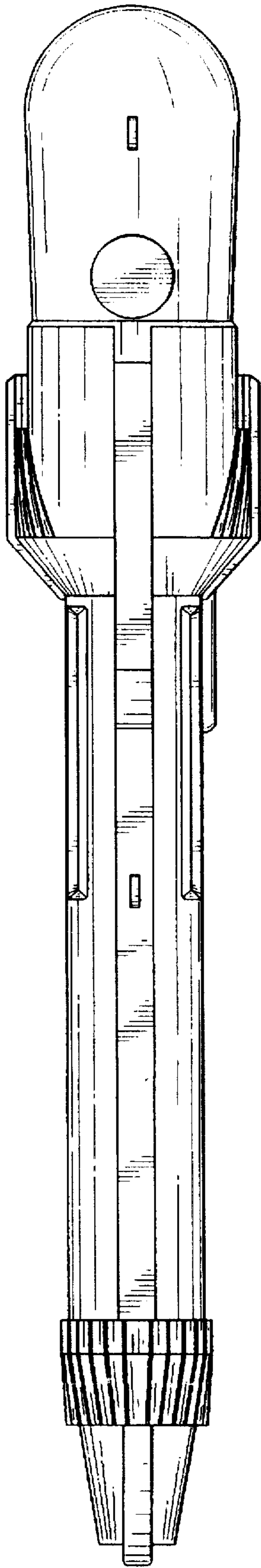


FIG. 5

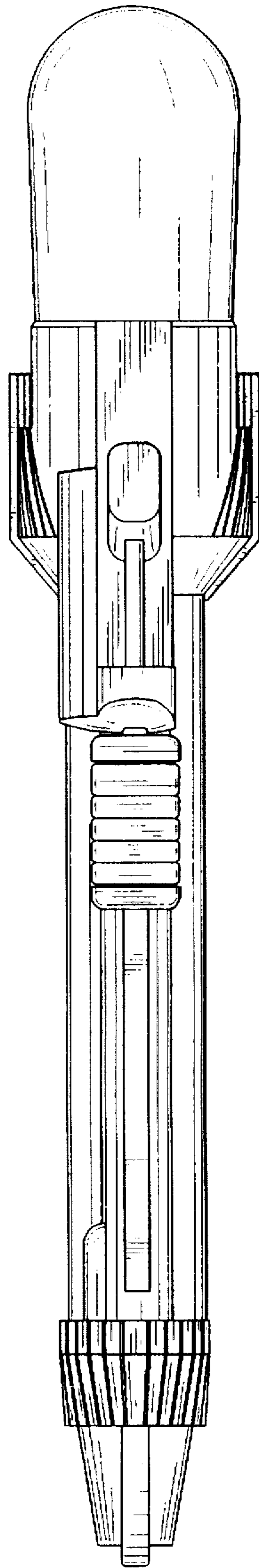


FIG. 6