



US00D390891S

United States Patent [19]
Xu

[11] **Patent Number:** **Des. 390,891**
[45] **Date of Patent:** ****Feb. 17, 1998**

[54] **TOY IN THE SHAPE OF A MIXER CAR**

[76] **Inventor:** **Ji Ti Xu**, No. 102-116, Industrial North Rd., Anhai Jinjiang, Fujian, China

[**] **Term:** **14 Years**

[21] **Appl. No.:** **59,883**

[22] **Filed:** **Sep. 17, 1996**

[51] **LOC (6) Cl.** **21-01**

[52] **U.S. Cl.** **D21/138**

[58] **Field of Search** D21/71, 73, 76,
D21/78, 79, 134, 138; 446/327, 424, 428,
447, 465, 470

[56] **References Cited**

U.S. PATENT DOCUMENTS

D. 222,868	1/1972	Gilford	D21/138
D. 226,013	1/1973	Ogasawara	D21/138
D. 245,530	8/1977	Ferguson	D21/138
D. 288,577	3/1987	Ohno	D21/138

D. 311,041	10/1990	Shinohara	D21/138
2,540,317	2/1951	Baggott	446/428
5,173,072	12/1992	Ozawa	446/428

Primary Examiner—Raphael Barkai
Attorney, Agent, or Firm—Morton J. Rosenberg; David I. Klein; Jun Y. Lee

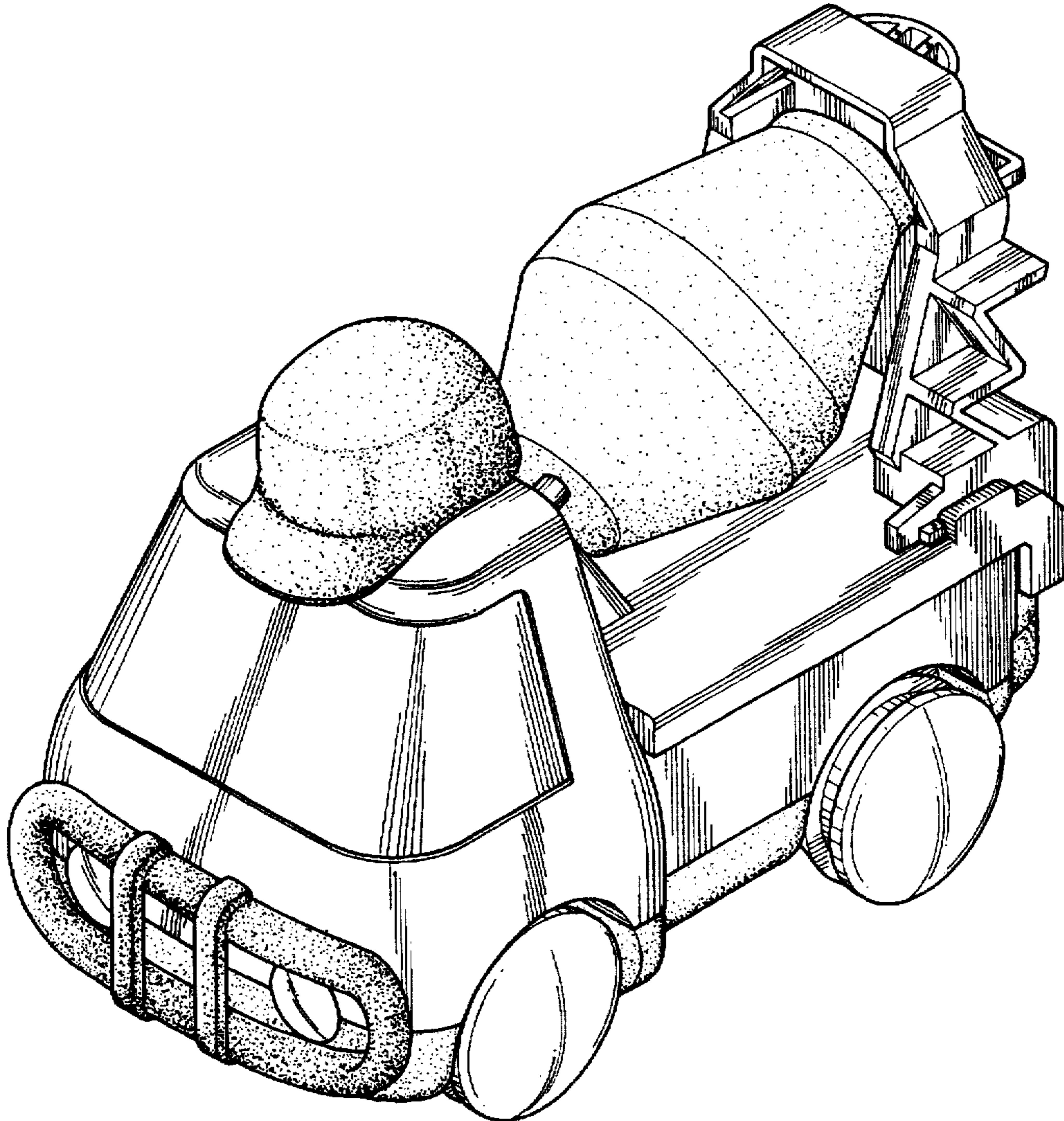
[57] **CLAIM**

The ornamental design for a toy in the shape of a mixer car, as shown and described.

DESCRIPTION

FIG. 1 is a perspective view of a toy in the shape of a mixer car showing my present design; FIG. 2 is a front view thereof; FIG. 3 is a rear view thereof; FIG. 4 is a left view thereof; FIG. 5 is a right view thereof; FIG. 6 is a top view thereof; and, FIG. 7 is a bottom plan view.

1 Claim, 5 Drawing Sheets



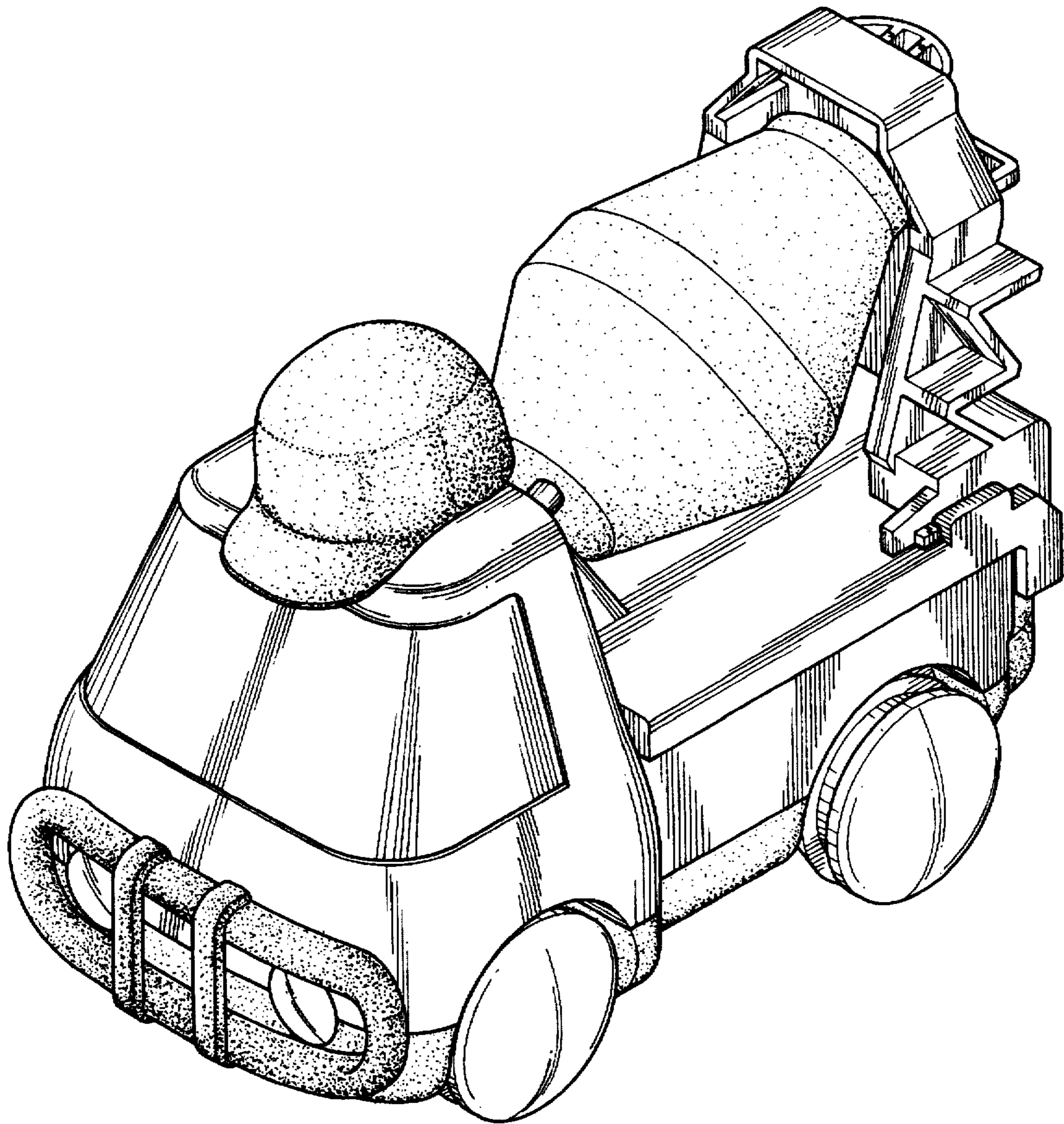


FIG. 1

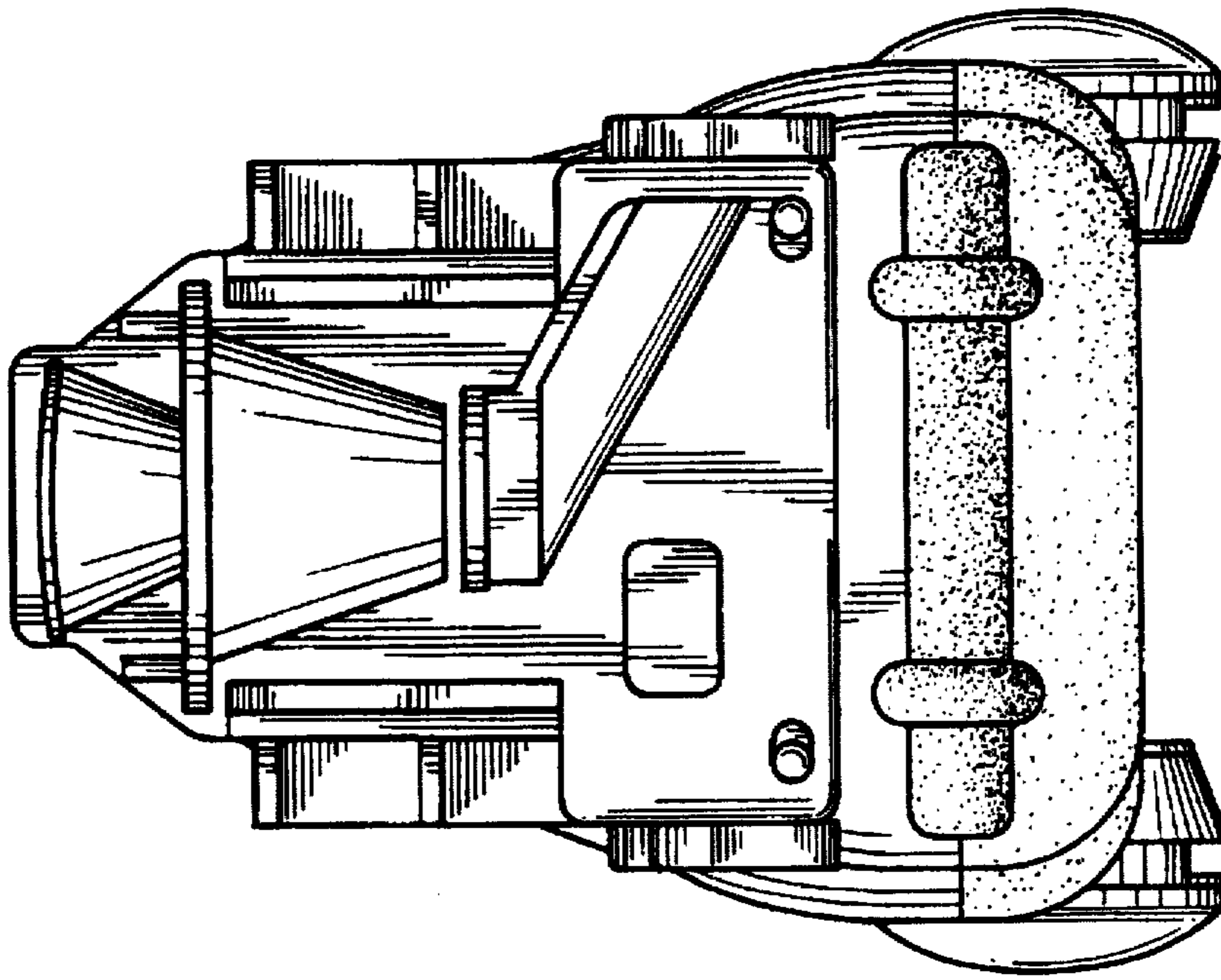


FIG. 3

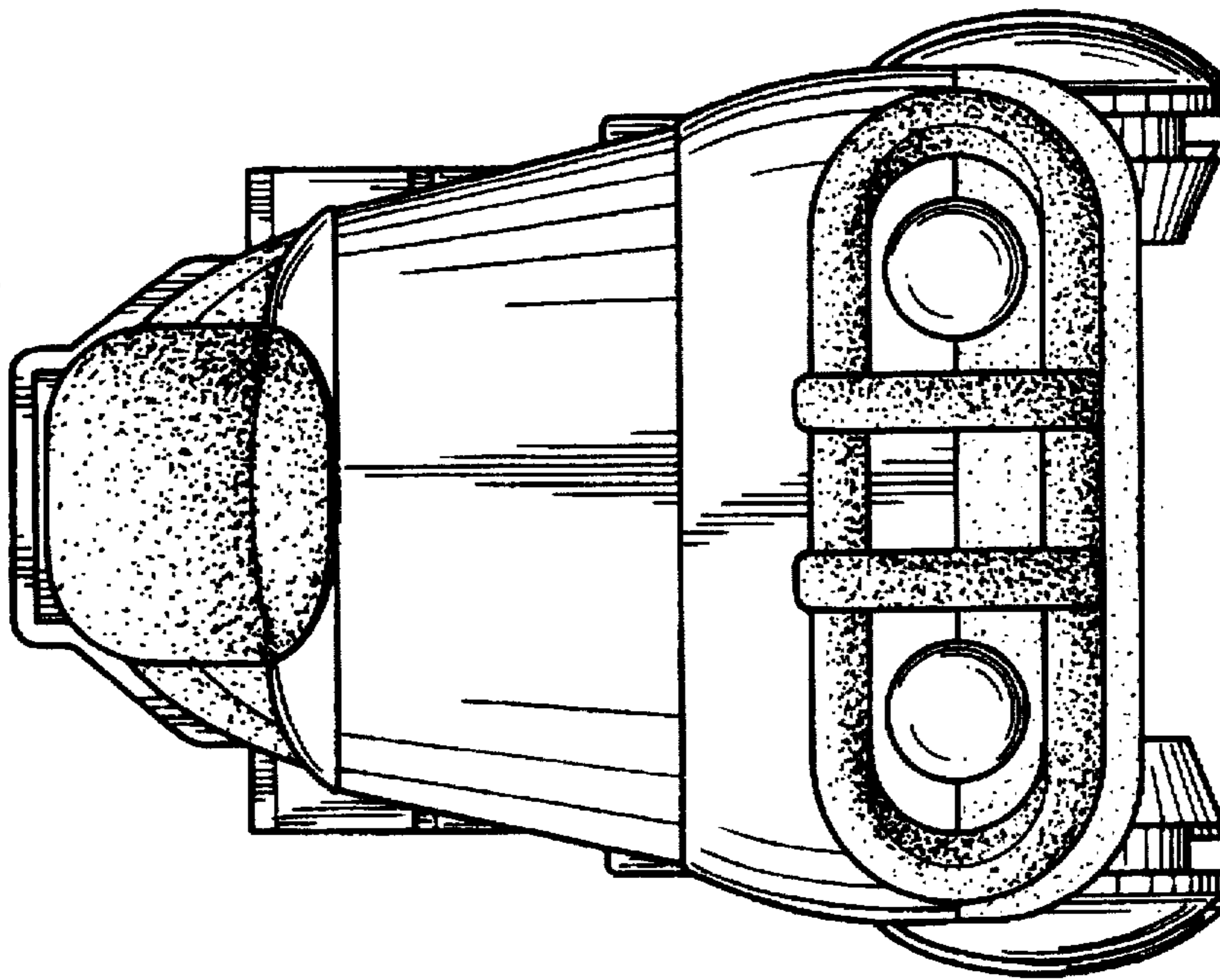


FIG. 2

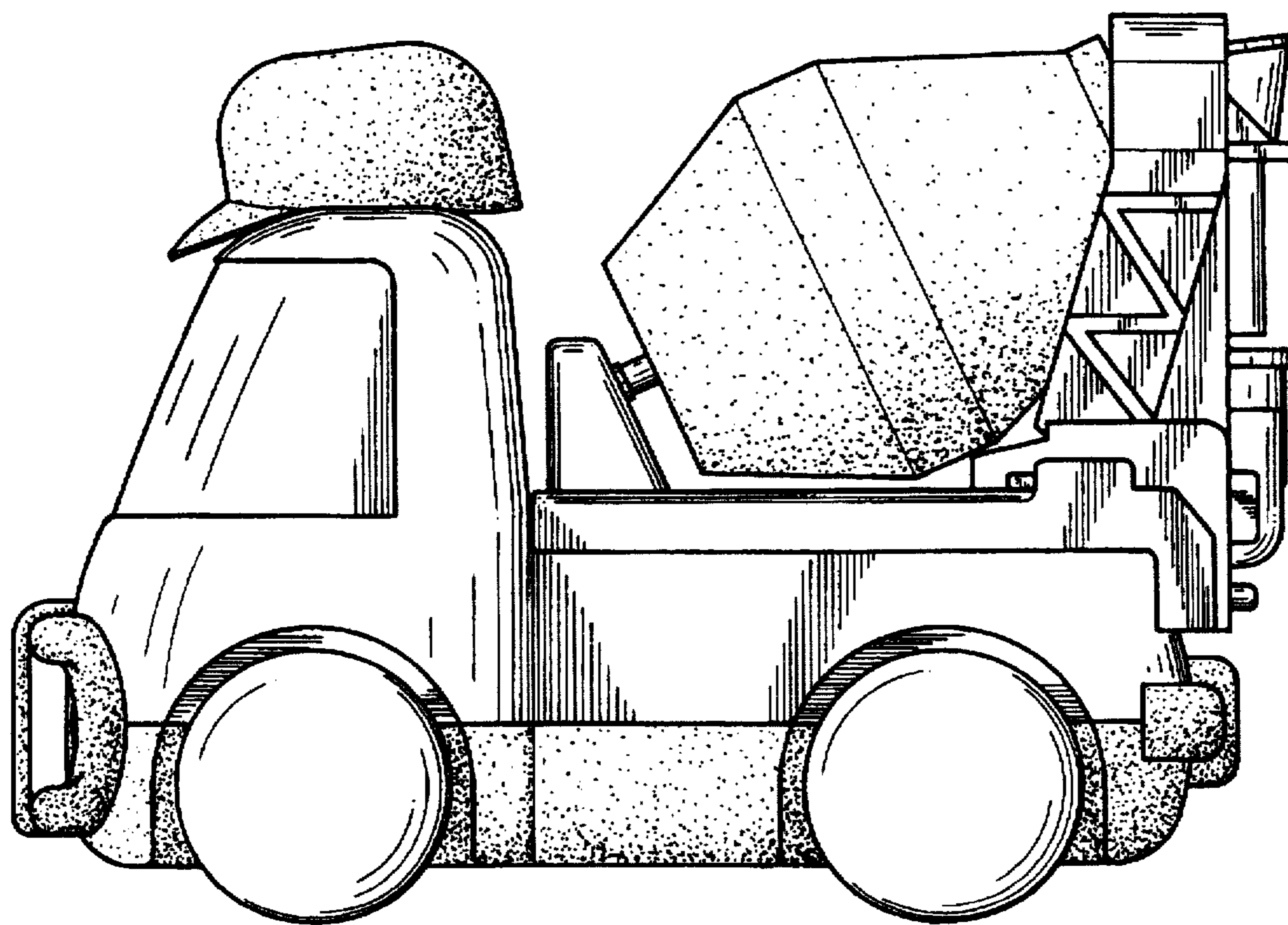


FIG. 4

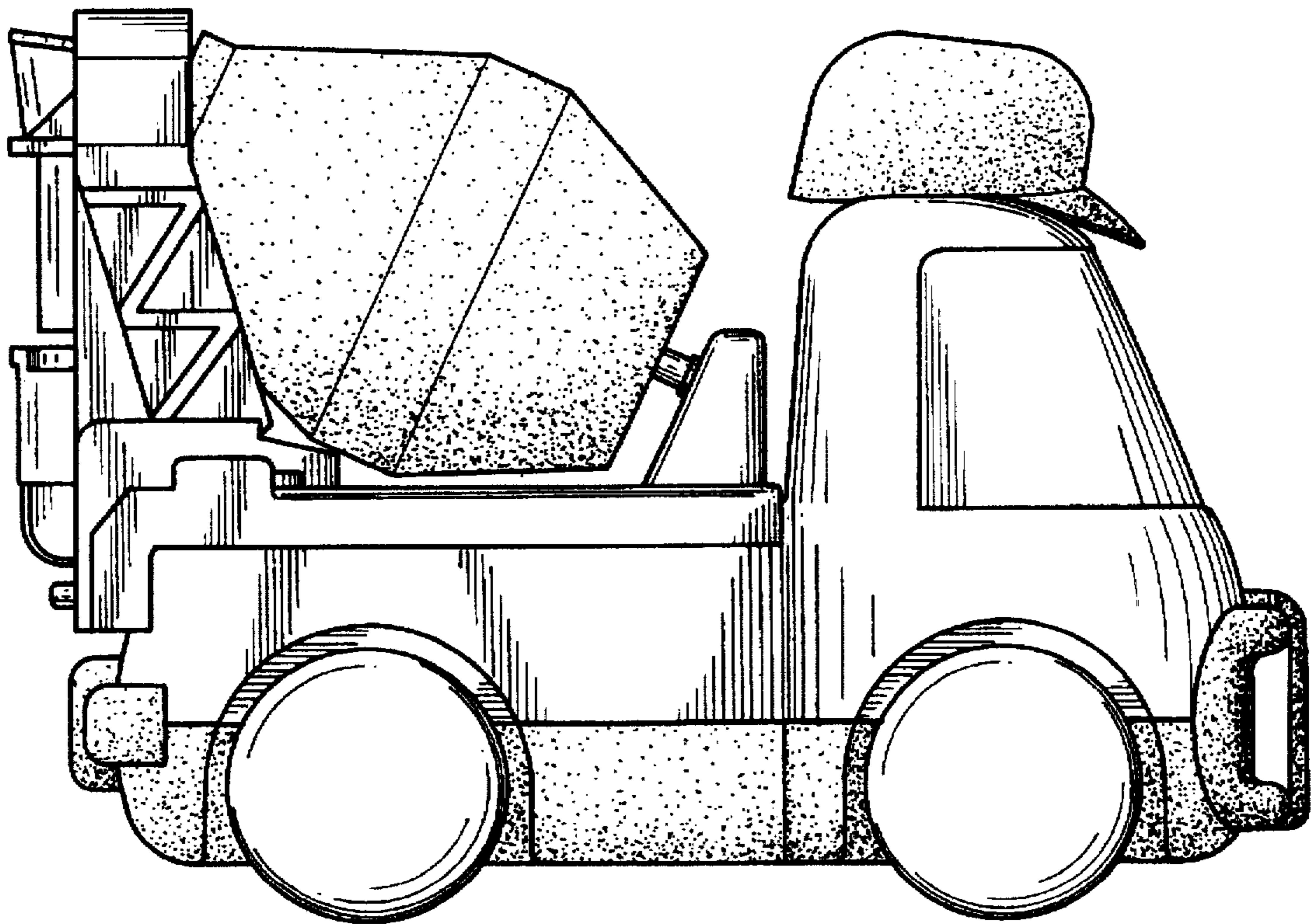


FIG. 5

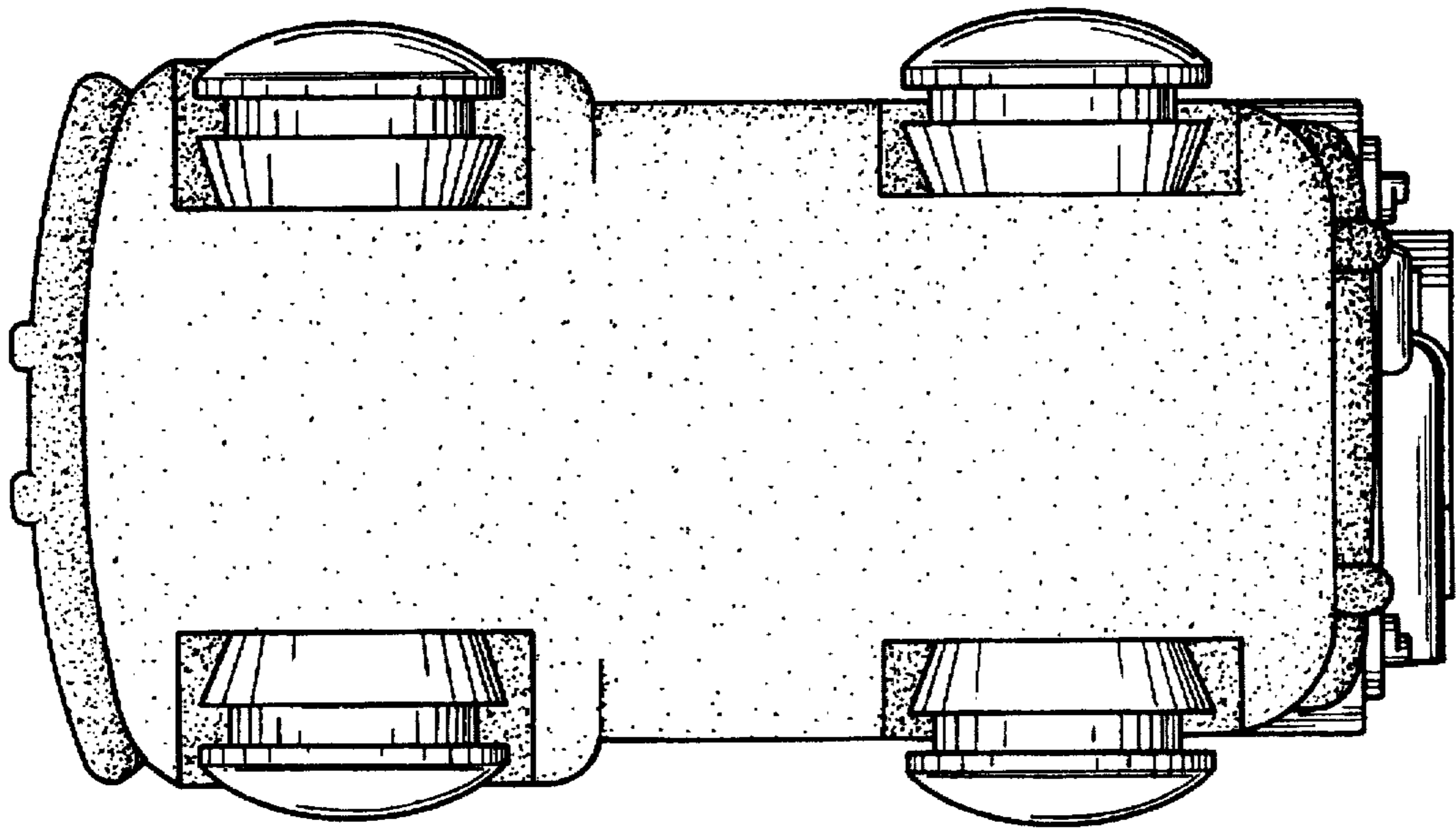


FIG. 7

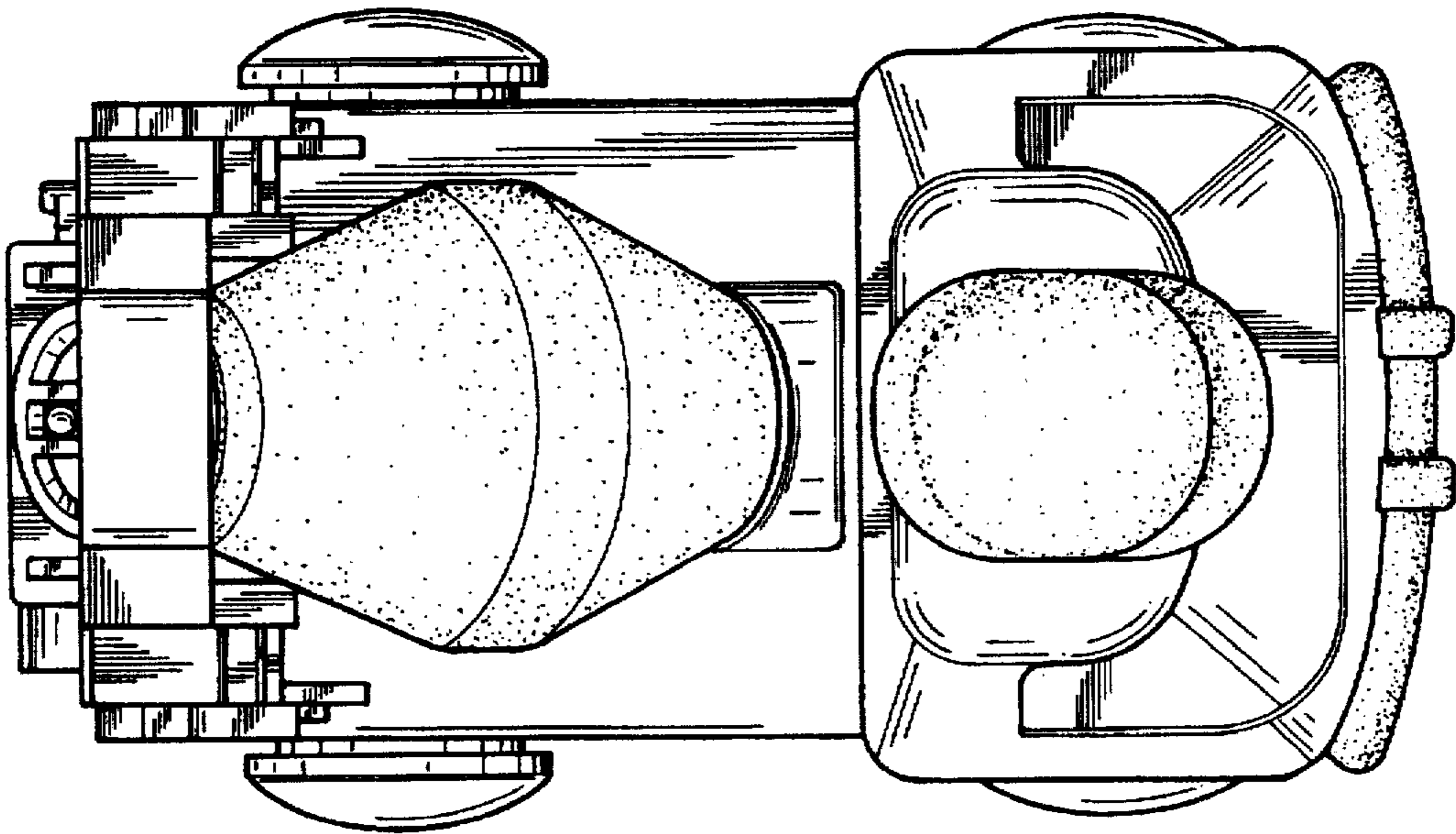


FIG. 6