

US00D390889S

# United States Patent [19]

[11] Patent Number: **Des. 390,889**

**Rodriguez Ferre**

[45] Date of Patent: **\*\*Feb. 17, 1998**

[54] **TOY MOTORCYCLE**

[76] Inventor: **Jose Manuel Rodriguez Ferre, Polig. Industrial Derramador, c/ Albacete s/n 03440 IBI (Alicante), Spain**

[\*\*] Term: **14 Years**

[21] Appl. No.: **50,081**

[22] Filed: **Feb. 8, 1996**

[30] **Foreign Application Priority Data**

Oct. 11, 1995 [ES] Spain ..... 136.024 (A)

[51] LOC (6) Cl. .... **21-01**

[52] U.S. Cl. .... **D21/128; D21/81; D12/110**

[58] Field of Search ..... **D21/71, 76, 80-81, D21/128, 134, 137; D12/110; 446/440; 280/87.021, 219, 288.4, 1.22, 1.13, 827, 828; 180/219**

[56] **References Cited**

**U.S. PATENT DOCUMENTS**

- D. 219,608 12/1970 Carver ..... D21/76
- D. 267,101 11/1982 Goldfarb et al. .... D21/81
- D. 276,059 10/1984 Smollar et al. .... D21/78
- D. 296,801 7/1988 Matsumoto ..... D21/134
- D. 297,721 9/1988 Kaneko et al. .... D12/110

- D. 340,757 10/1993 Chen ..... D21/128
- D. 346,414 4/1994 Wong ..... D21/134
- D. 346,834 5/1994 Consiglio ..... D21/80
- 1,498,677 6/1924 Bemis ..... 280/87.021
- 4,573,697 3/1986 Schier ..... 280/219
- 4,739,851 4/1988 Perego ..... 446/440
- 5,109,943 5/1992 Crenshaw et al. .... 180/219
- 5,299,652 4/1994 Bevins ..... 180/219
- 5,489,232 2/1996 Chang ..... 446/440

**OTHER PUBLICATIONS**

Harley-Davidson 1989, catalog, p. 3

*Primary Examiner*—Ted Shooman

*Assistant Examiner*—R. Barkai

*Attorney, Agent, or Firm*—Birch, Stewart, Kolasch & Birch, LLP

[57] **CLAIM**

The ornamental design for a toy motorcycle, as shown and described.

**DESCRIPTION**

FIG. 1 is a left elevational view of a top motorcycle showing my new design;

FIG. 2 is a right perspective view thereof;

FIG. 3 is a front perspective view thereof;

FIG. 4 is a rear perspective view thereof; and,

FIG. 5 is a top perspective view thereof.

**1 Claim, 3 Drawing Sheets**

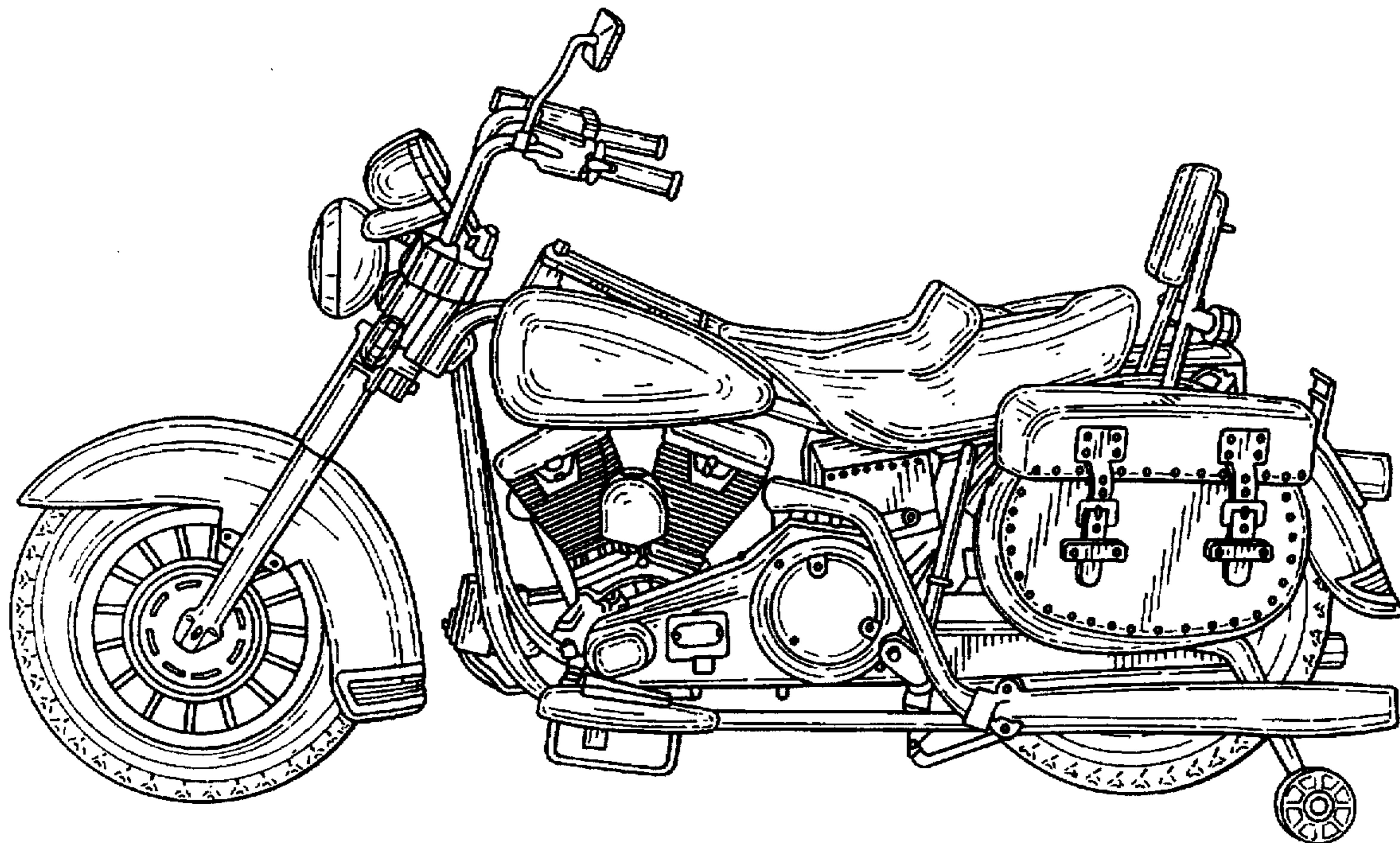


FIG. 1

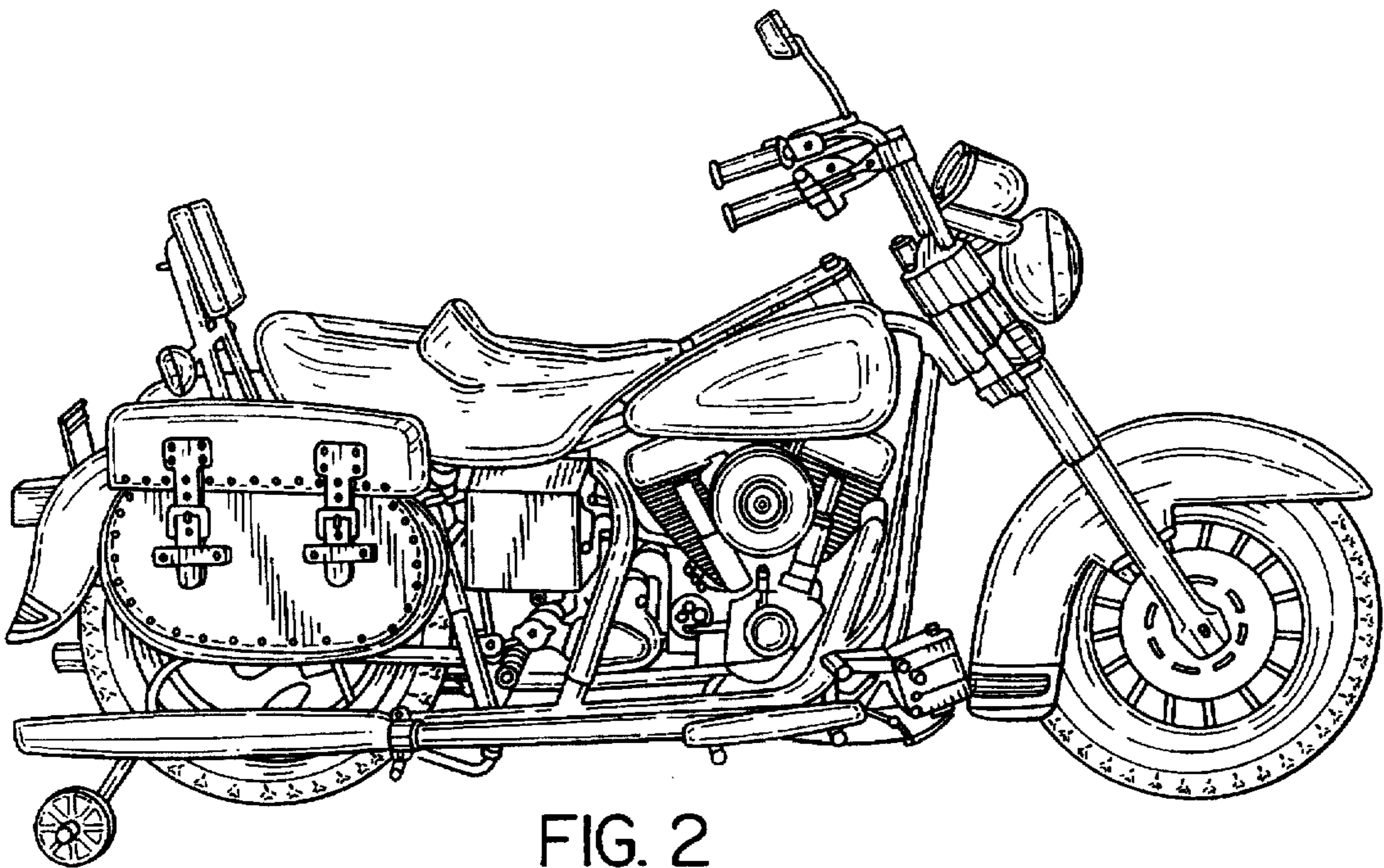
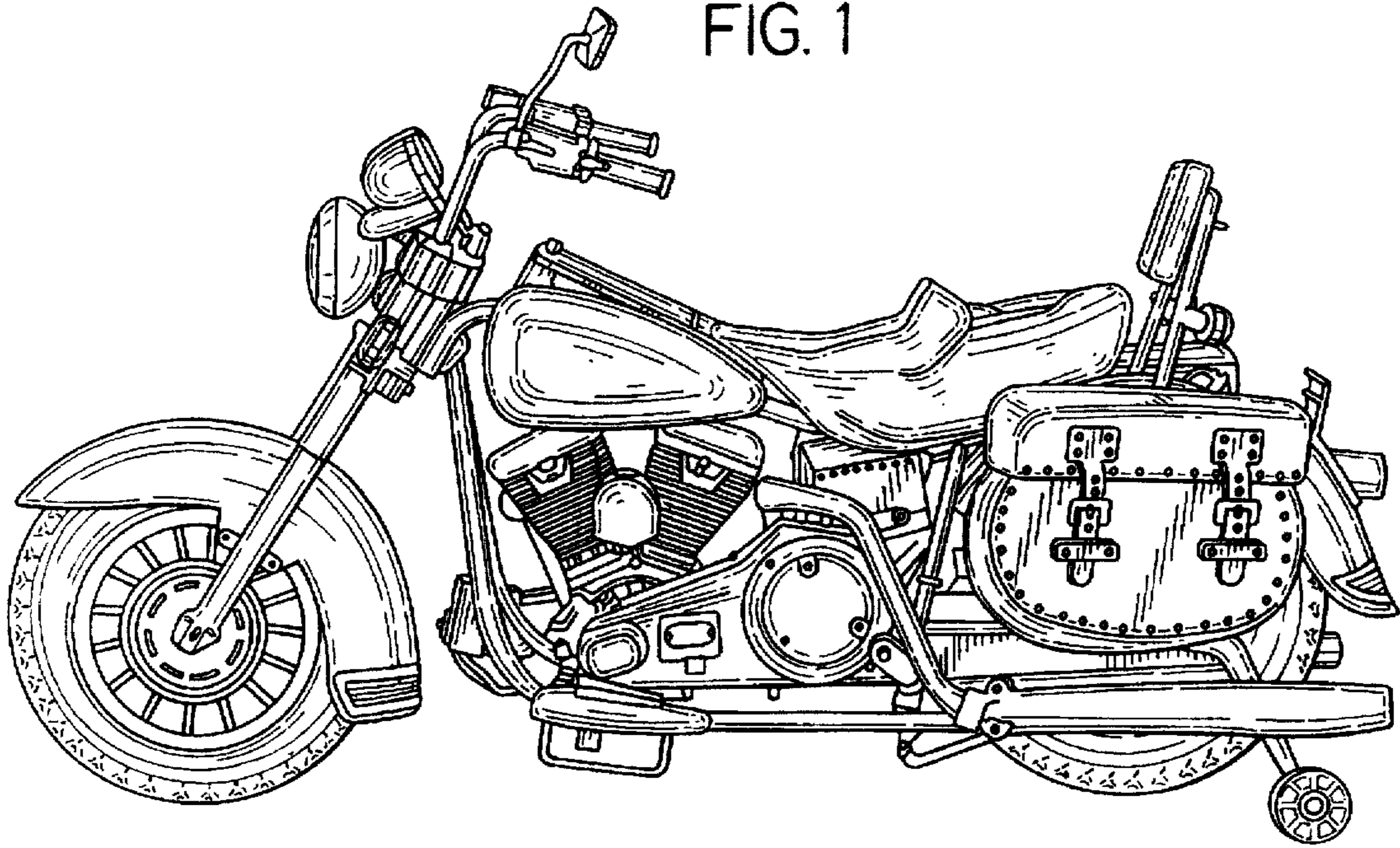


FIG. 2

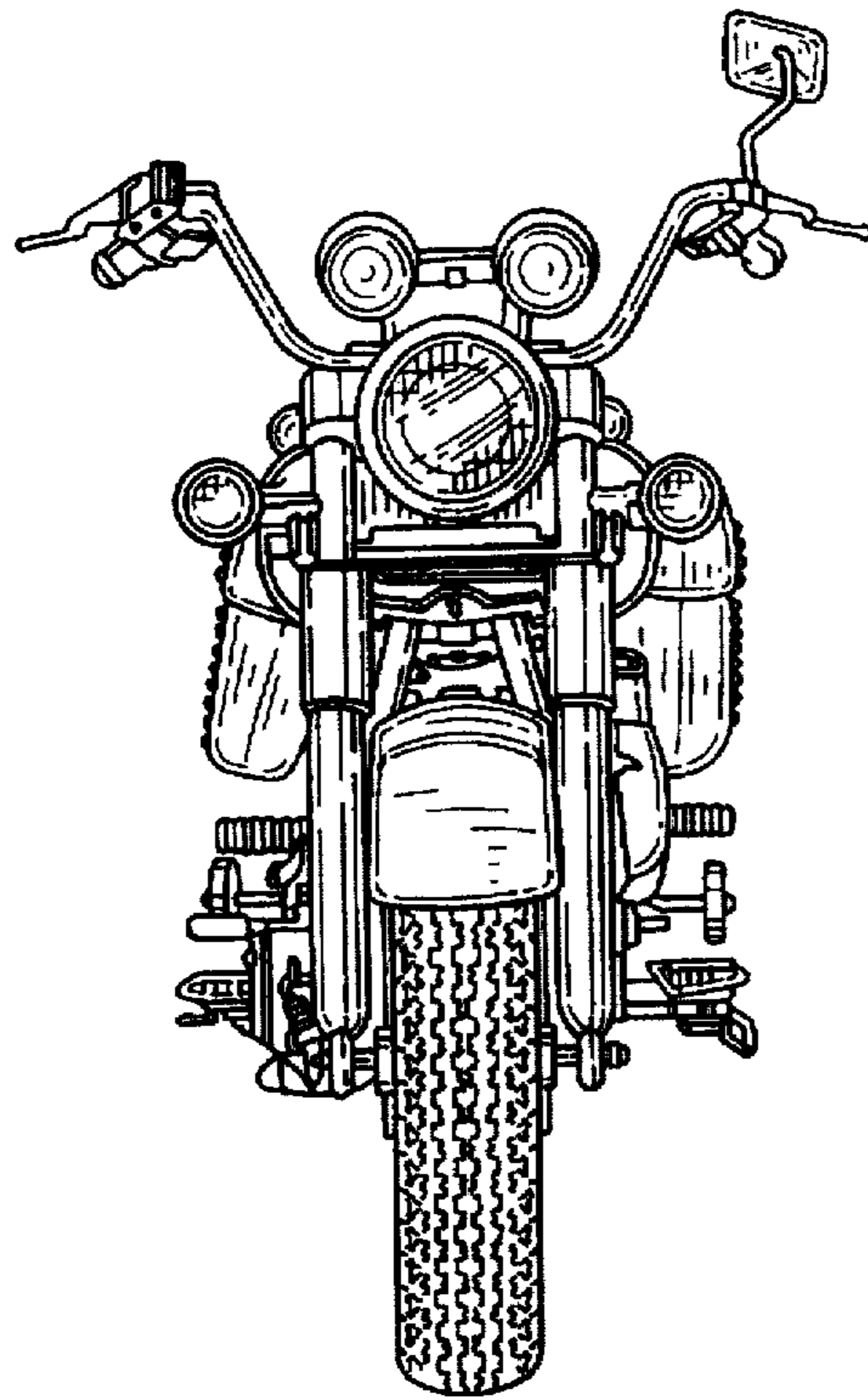


FIG. 3

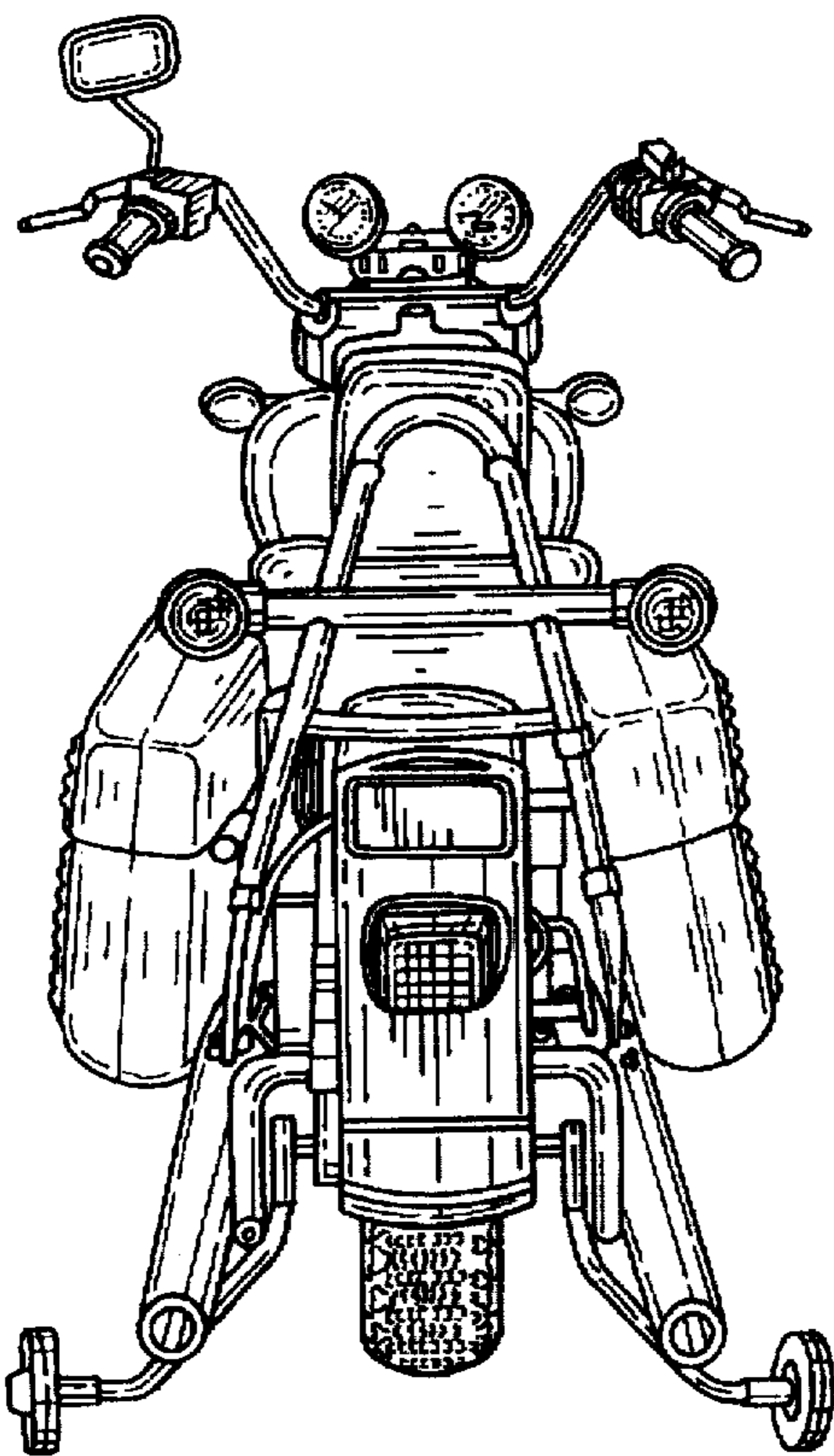


FIG. 4

FIG. 5

