



US00D390884S

United States Patent [19]

[11] Patent Number: **Des. 390,884**

Kashani

[45] Date of Patent: ****Feb. 17, 1998**

[54] **BALL RAMP FOR MOUNTING IN GAME TABLE**

4,318,543 3/1982 Vollendorf 473/7
5,451,187 9/1995 Brinkley 473/28

[76] Inventor: **Karim Kashani**, 2011 N. Verdugo Rd.
#B, Glendale, Calif. 91208

Primary Examiner—Prabhakar G. Deshmukh
Attorney, Agent, or Firm—Edgar W. Averill, Jr.

[**] Term: **14 Years**

[57] CLAIM

[21] Appl. No.: **64,857**

The ornamental design for a ball ramp for mounting in game table, as shown and described.

[22] Filed: **Jan. 13, 1997**

DESCRIPTION

[51] LOC (6) Cl. **21-01**

[52] U.S. Cl. **D21/11; D21/232**

[58] Field of Search **D21/232, 11, 1;**
473/1, 28, 7, 19, 20

FIG. 1 is a perspective view showing the front, right side and top of the ball ramp for mounting in game table showing my new design;

FIG. 2 is a top view thereof;

FIG. 3 is a right side view thereof;

FIG. 4 is a rear view thereof;

FIG. 5 is a left side view thereof;

FIG. 6 is a bottom view thereof; and,

FIG. 7 is a sectional elevational view thereof, taken along line 7—7 of FIG. 4.

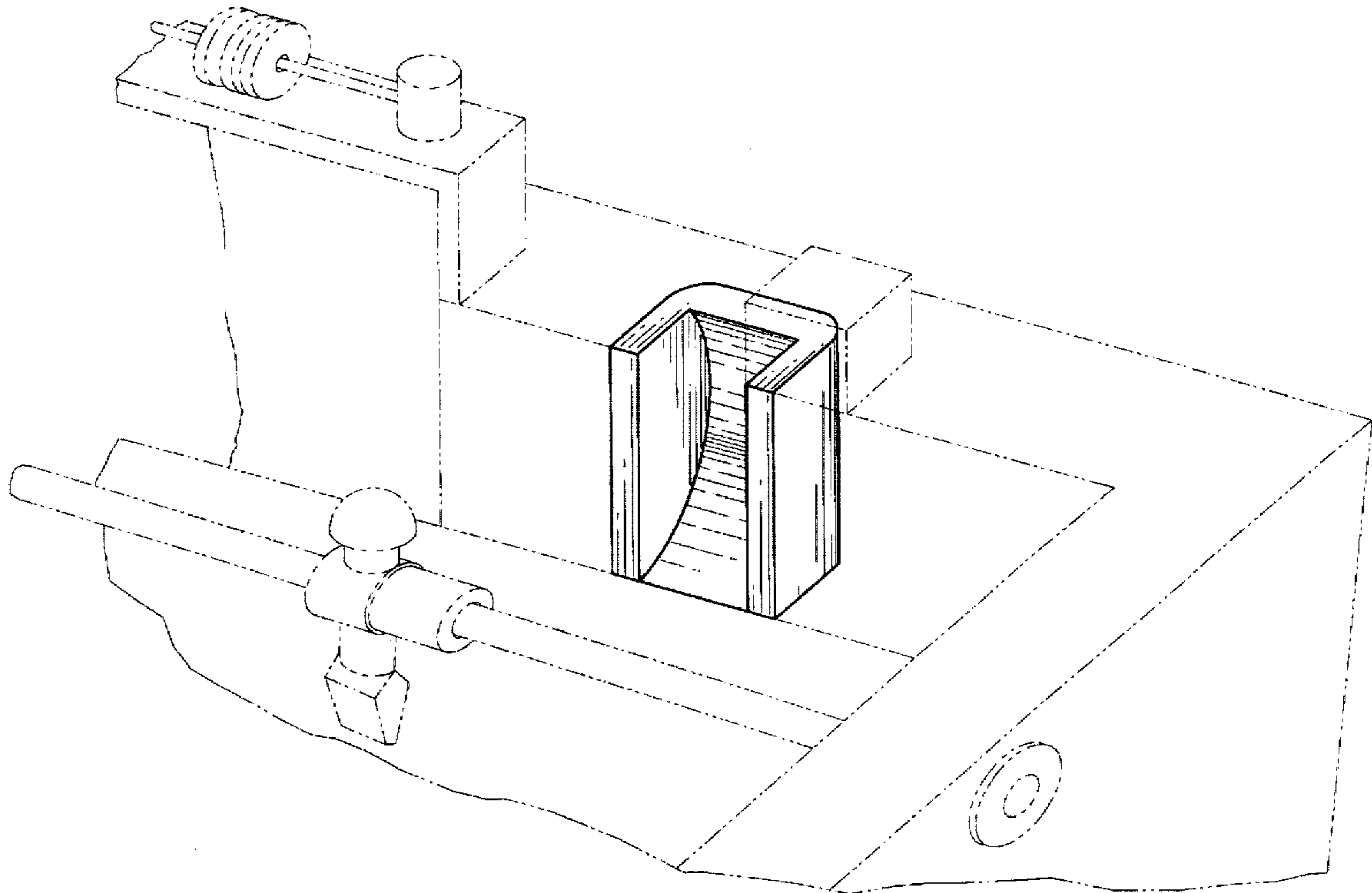
The broken line showing of table and accessories is for illustrative purposes only and forms no part of the claim.

[56] References Cited

U.S. PATENT DOCUMENTS

D. 162,316	3/1951	Kolivera	D21/232
D. 240,246	6/1976	Pierre	D21/11
D. 346,184	4/1994	Ples	D21/11 X
D. 349,742	8/1994	Tyne	D21/232
1,608,750	11/1926	Jaeger	473/28
3,881,725	5/1975	Rubalcava	473/28
4,095,786	6/1978	Foley	473/7

1 Claim, 2 Drawing Sheets



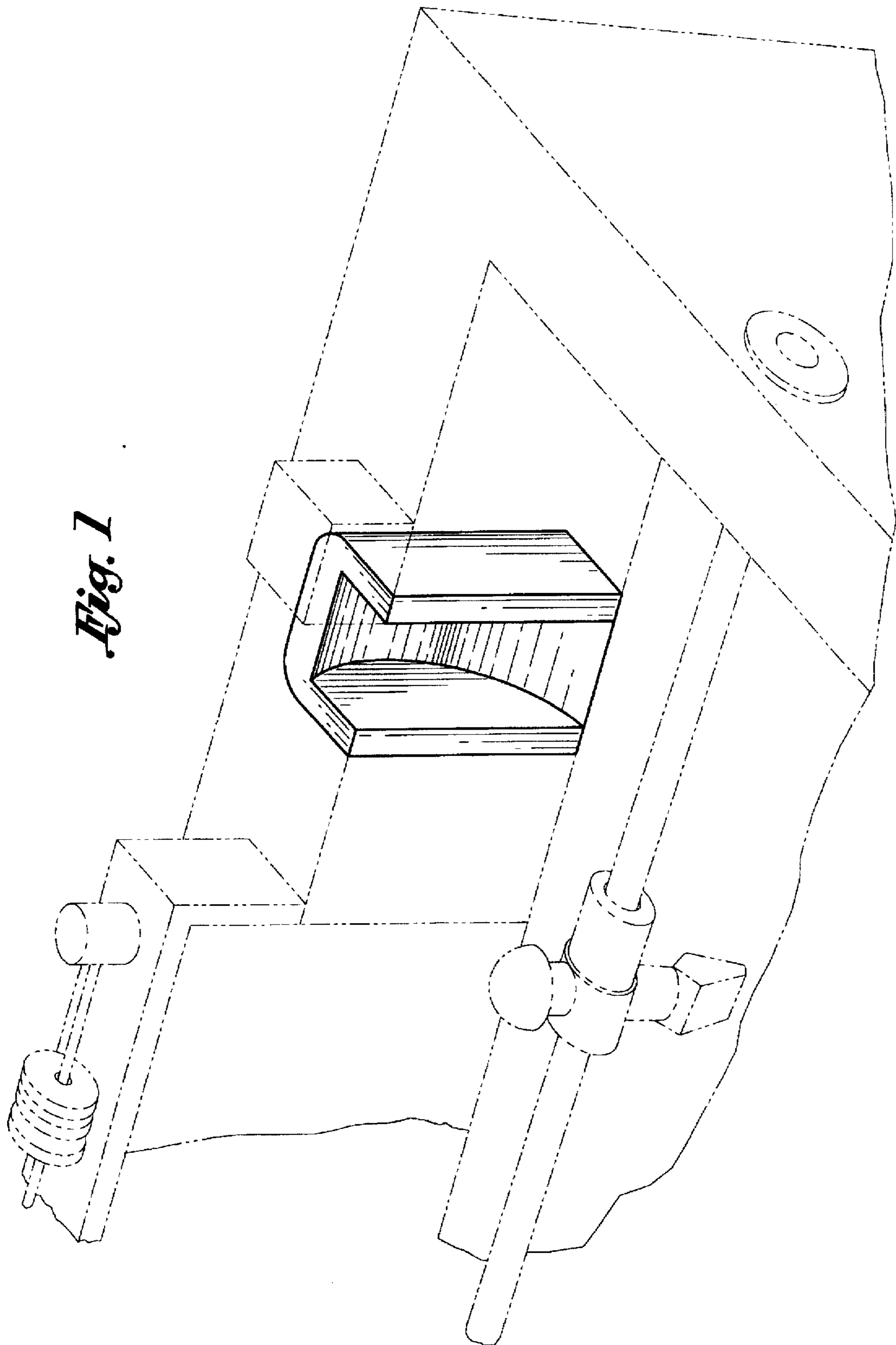


Fig. 1

Fig. 2

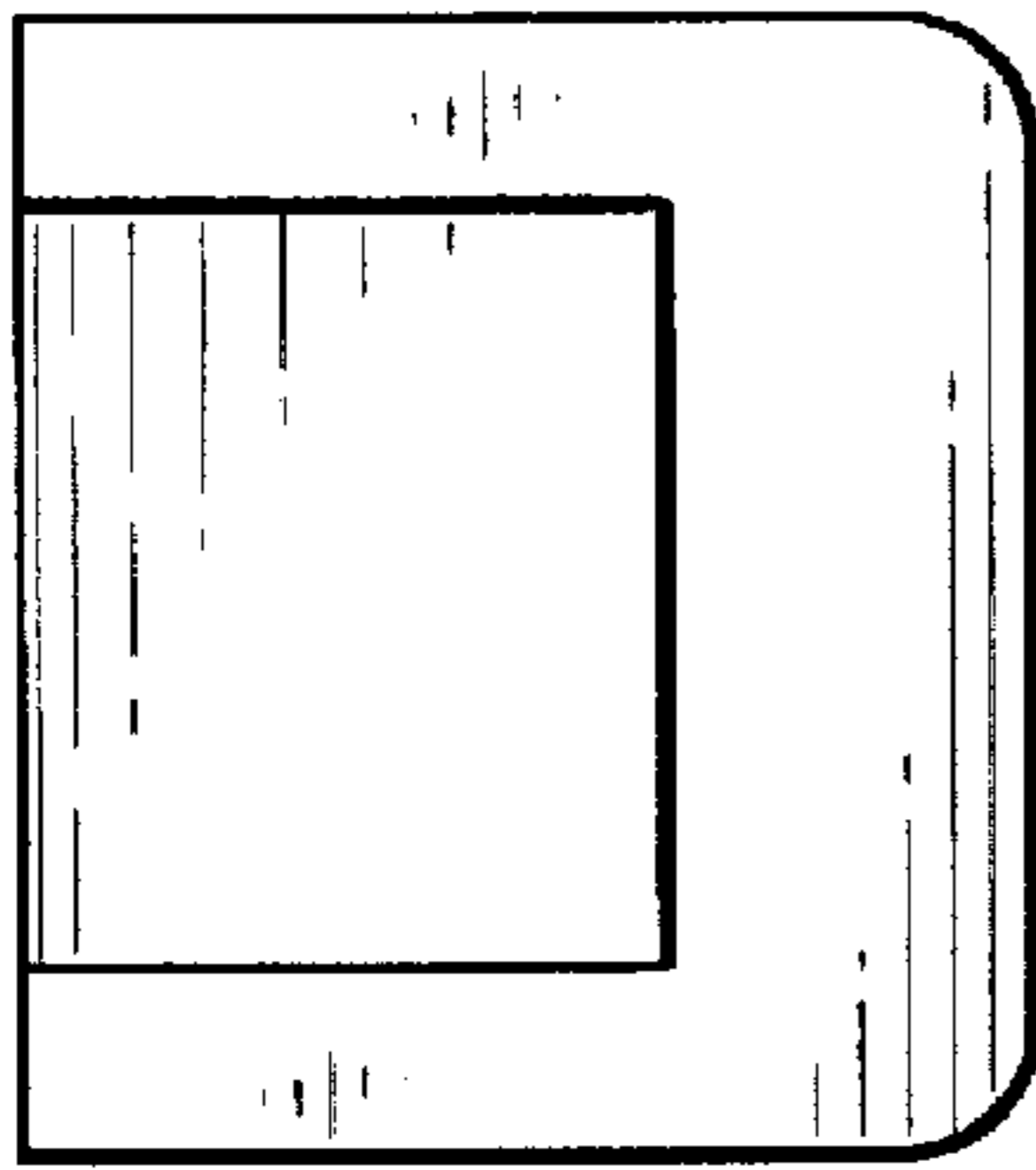


Fig. 3

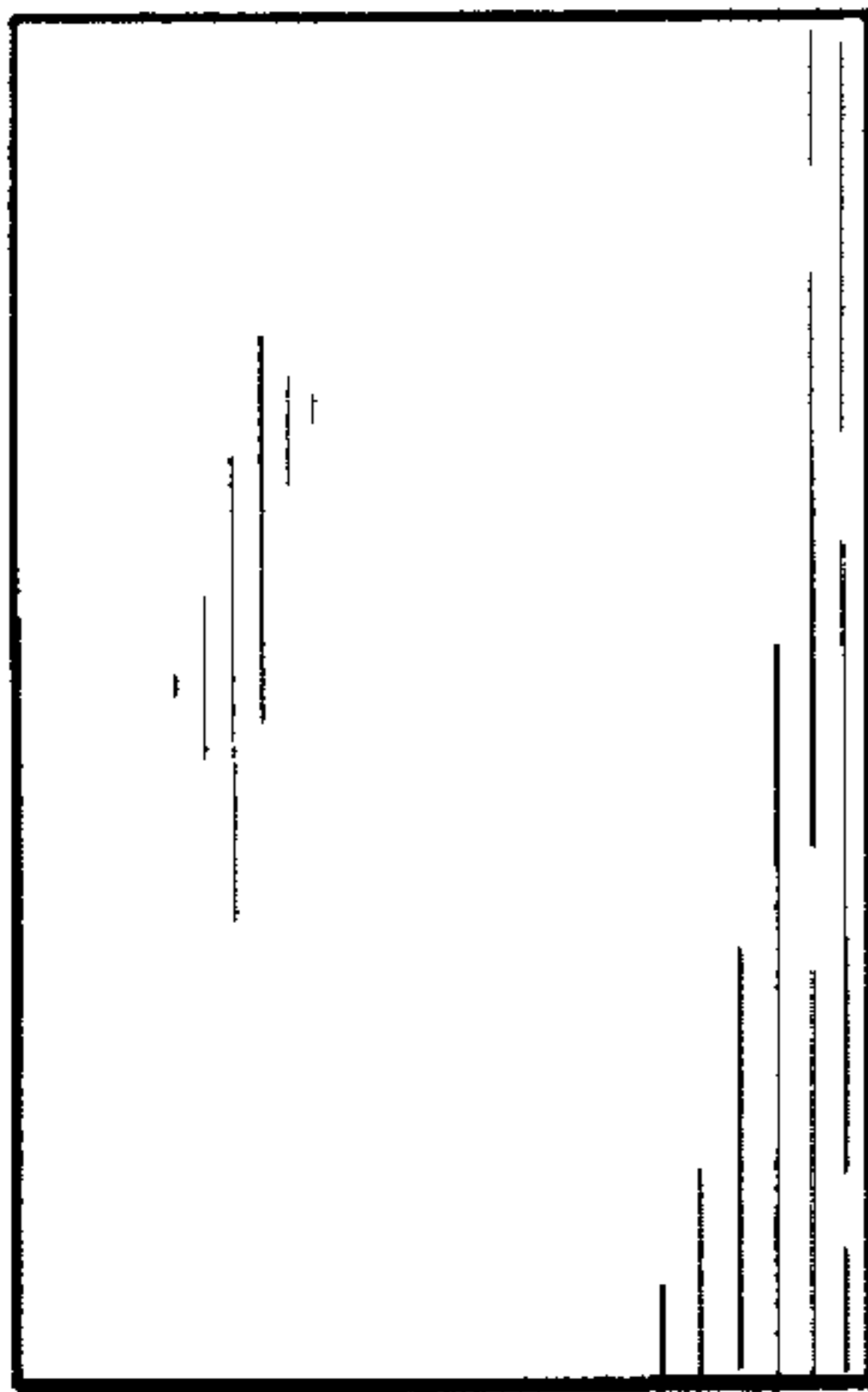


Fig. 4

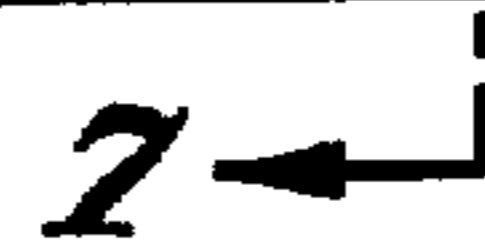
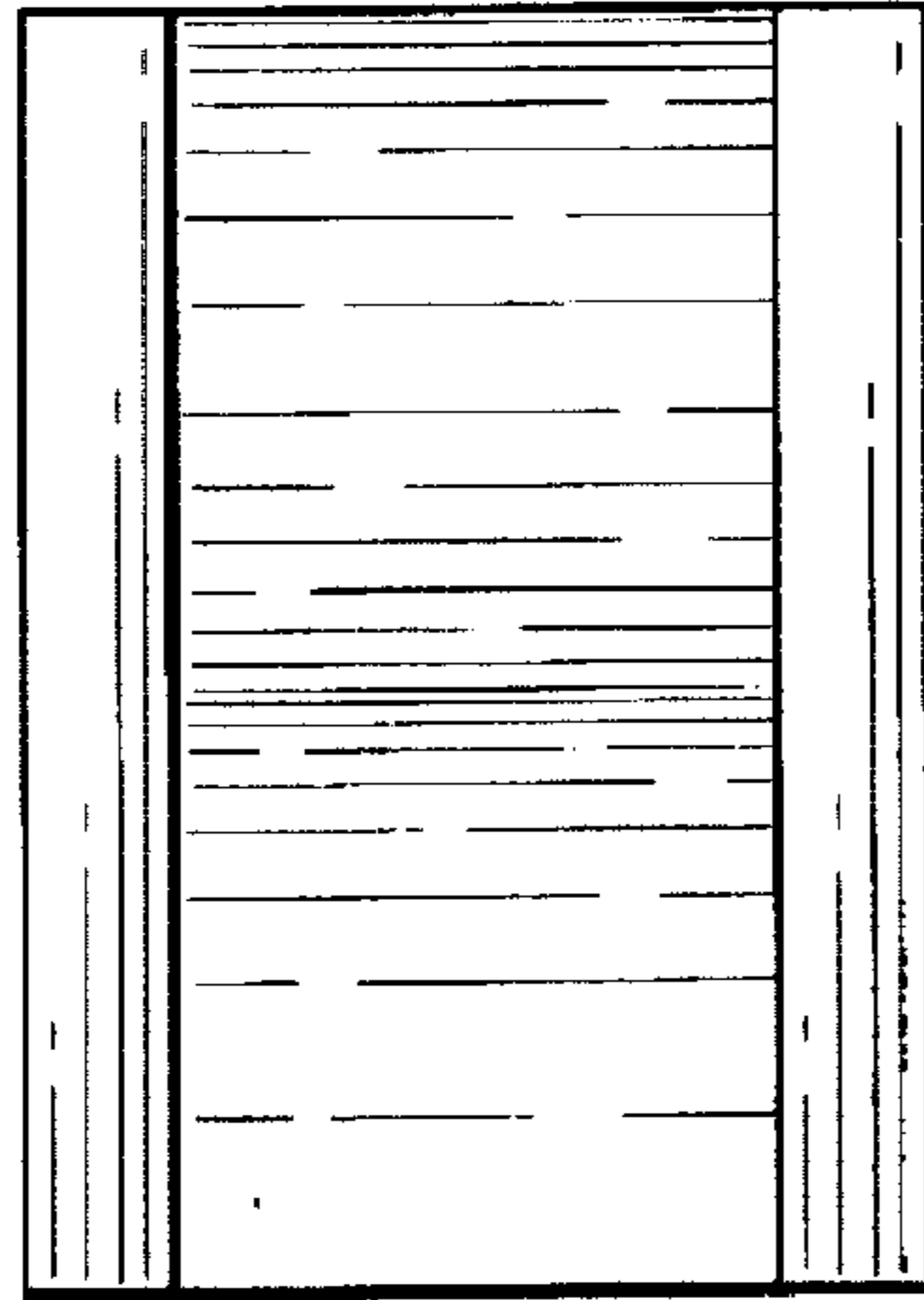
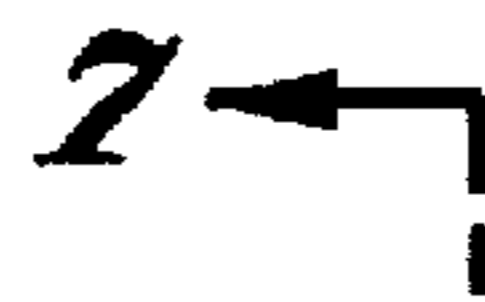


Fig. 5

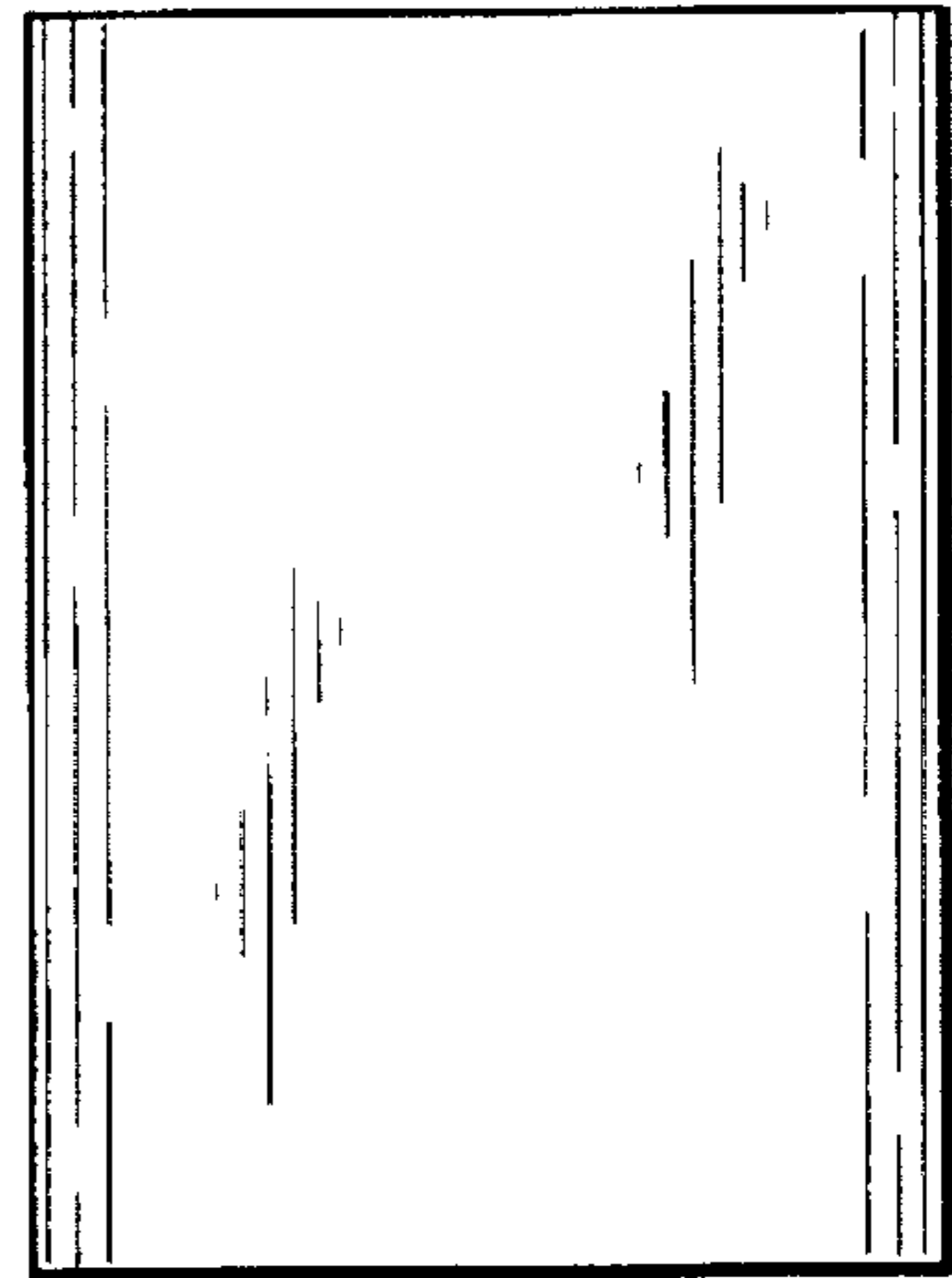


Fig. 6

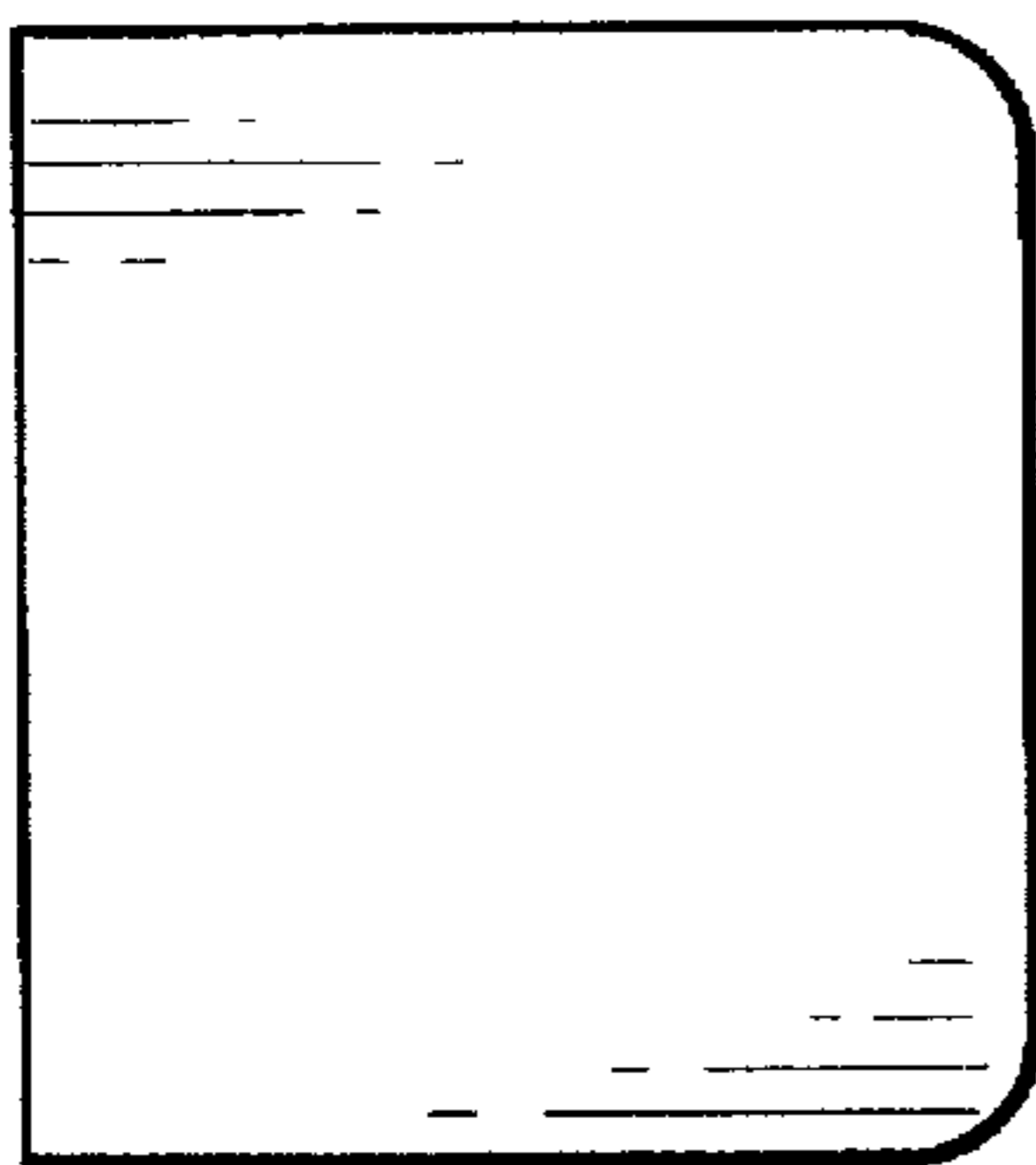


Fig. 7

