



US00D390883S

United States Patent [19]

[11] Patent Number: Des. 390,883

Watkins et al.

[45] Date of Patent: **Feb. 17, 1998

[54] PLACECARD/MENU HOLDER

[76] Inventors: **Patricia T. Watkins; Christopher J. Watkins**, both of 136 Grace Springs La., Pickens, S.C. 29671

[**] Term: 14 Years

[21] Appl. No.: 58,584

[22] Filed: Aug. 19, 1996

[51] LOC (6) Cl. 20-03

[52] U.S. Cl. D20/43; D20/15

[58] Field of Search D20/40, 10, 15, D20/43; D19/20; D21/54; 40/642.01, 649, 654; 248/148

[56] References Cited

U.S. PATENT DOCUMENTS

D. 235,226	5/1975	Money	D19/20 X
D. 292,715	11/1987	Hill	D19/20 X
D. 298,550	11/1988	Tarrant	D19/20
D. 352,530	11/1994	Gauvreau	D21/54
D. 372,742	8/1996	Kakudo	D21/54

Primary Examiner—Susan J. Lucas
Assistant Examiner—Jennifer Regester
Attorney, Agent, or Firm—Leatherwood Walker Todd & Mann, P.C.

[57] CLAIM

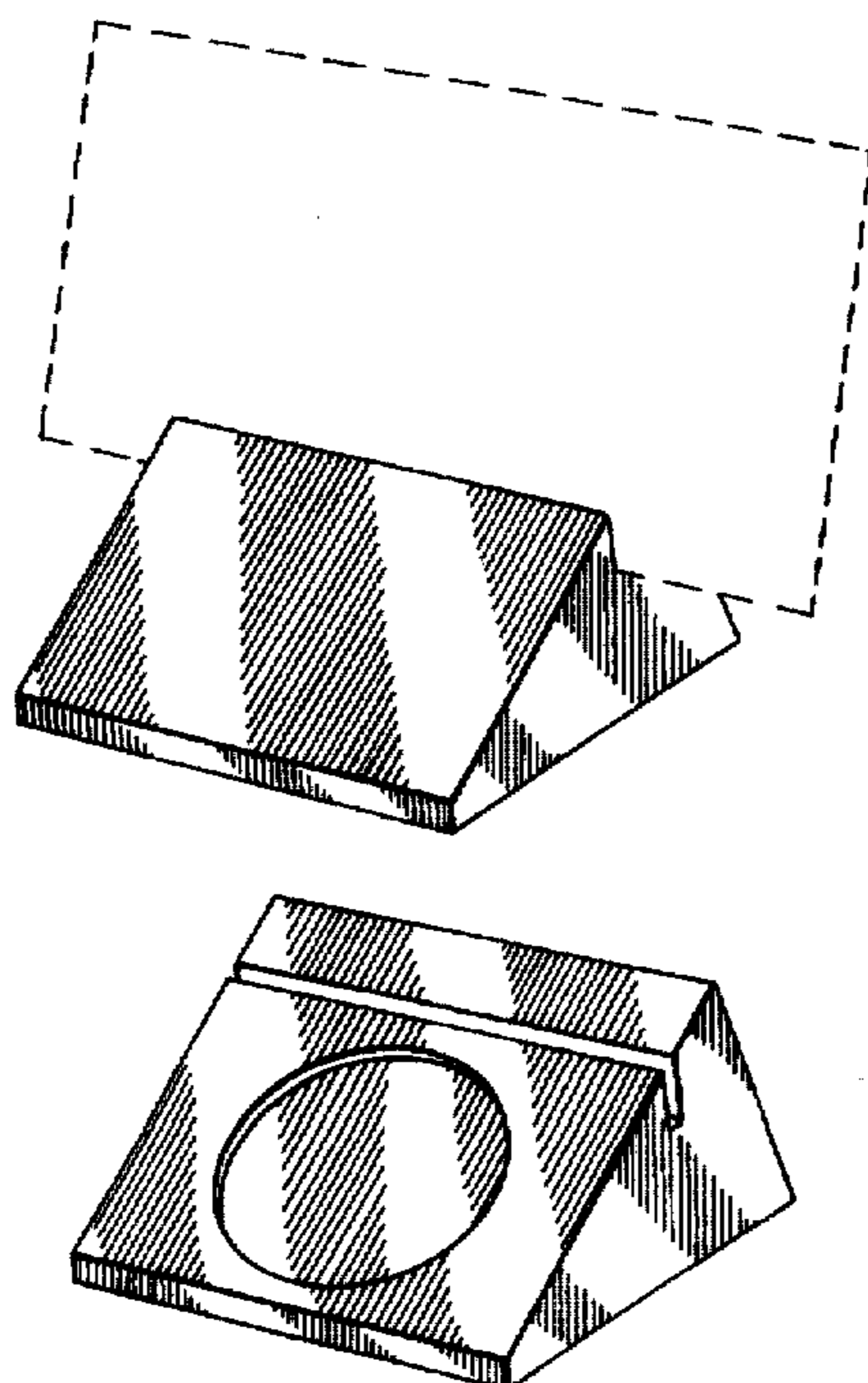
The ornamental design for a placecard/menu holder, as shown and described.

DESCRIPTION

FIG. 1 is a perspective view of a placecard/menu holder showing our new design;
FIG. 2 is a top plan view thereof;

FIG. 3 is a right side elevational view thereof the left side being a mirror image;
FIG. 4 is a bottom plan view thereof;
FIG. 5 is a front elevational view thereof;
FIG. 6 is a rear elevational view thereof;
FIG. 7 is a perspective view of a first alternate embodiment of a placecard/menu holder in accordance with our new design;
FIG. 8 is a top plan view of the first alternate embodiment illustrated in FIG. 7;
FIG. 9 is a right side elevational view of the first alternate embodiment illustrated in FIG. 7 the left side being a mirror image;
FIG. 10 is a bottom plan view of the first alternate embodiment illustrated in FIG. 7;
FIG. 11 is a front elevational view of the first alternate embodiment illustrated in FIG. 7;
FIG. 12 is a rear elevational view of our version of the first alternate embodiment illustrated in FIG. 7;
FIG. 13 is a perspective view of a second alternate embodiment of a placecard/menu holder in accordance with our new design;
FIG. 14 is a perspective view of a third alternate embodiment of a placecard/menu holder in accordance with our new design;
FIG. 15 is a perspective view of a fourth alternate embodiment of a placecard/menu holder in accordance with our new design; and,
FIG. 16 is a perspective view of a fifth alternate embodiment of a placecard/menu holder in accordance with our new design.
The right, left, rear, and bottom views for FIGS. 13–14 and for FIGS. 15–16 are disclosed in the embodiments of FIG. 1 and FIG. 7 respectively.
The broken lines are shown for illustrative purposes only and form no part of the claimed design.

1 Claim, 6 Drawing Sheets



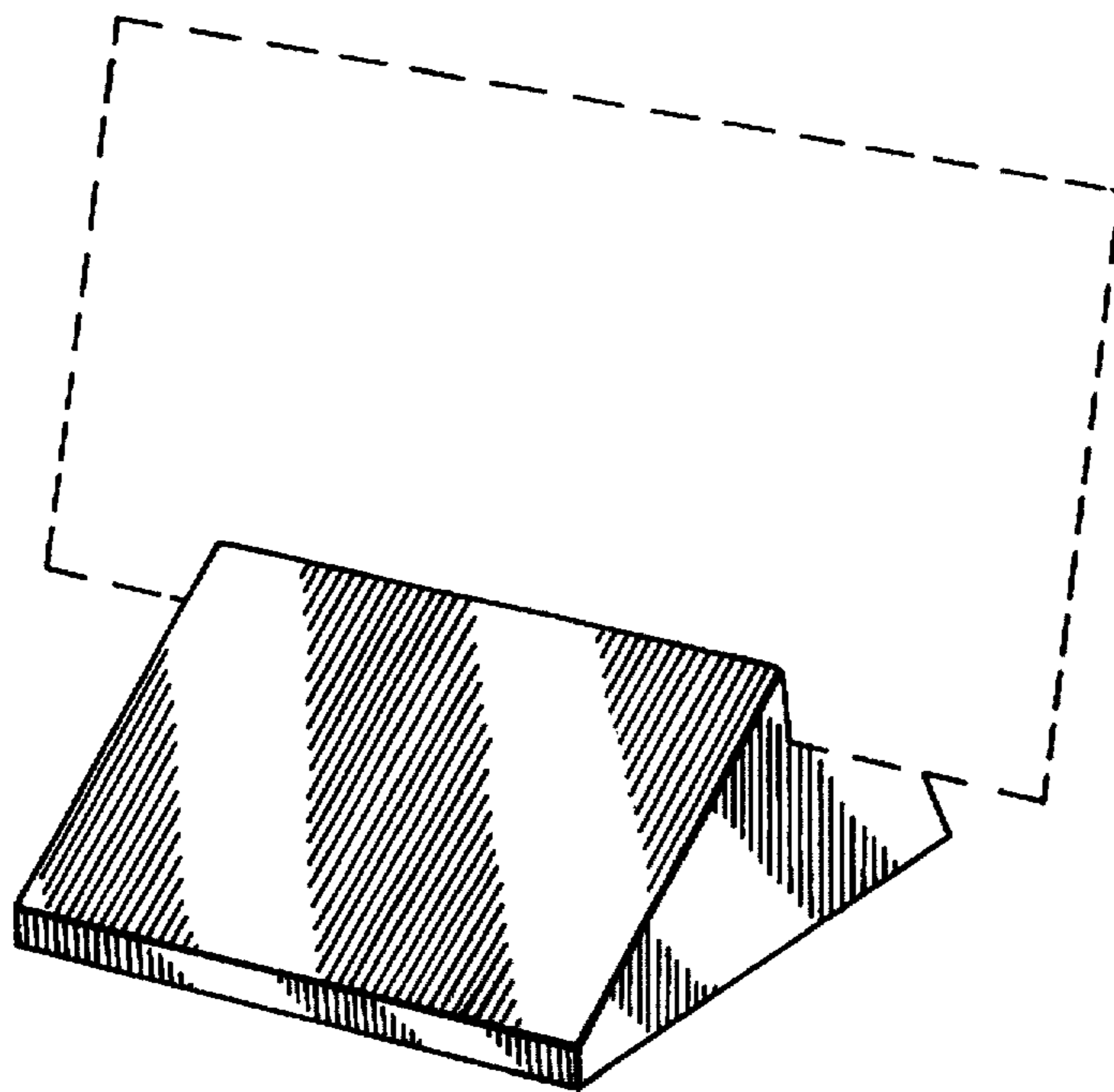


Fig. 1

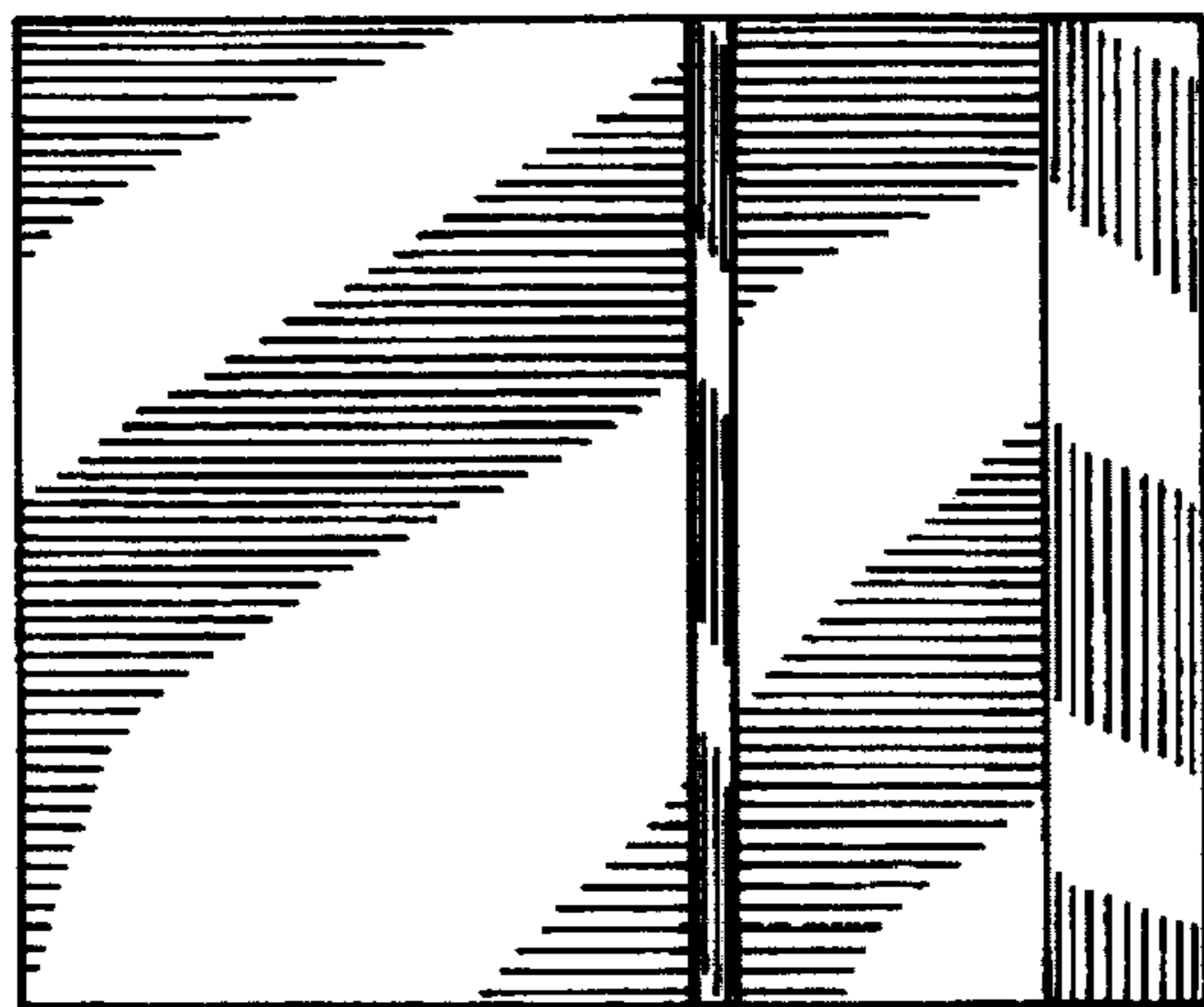


Fig. 2

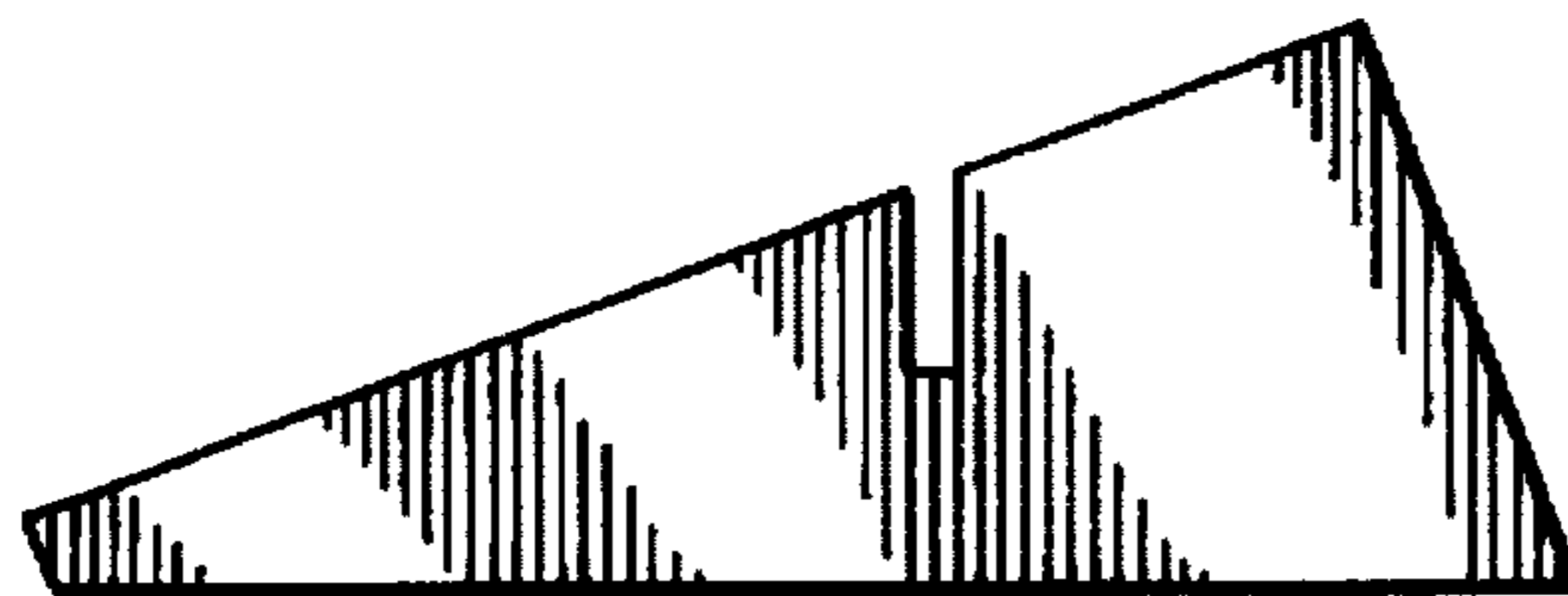


Fig. 3

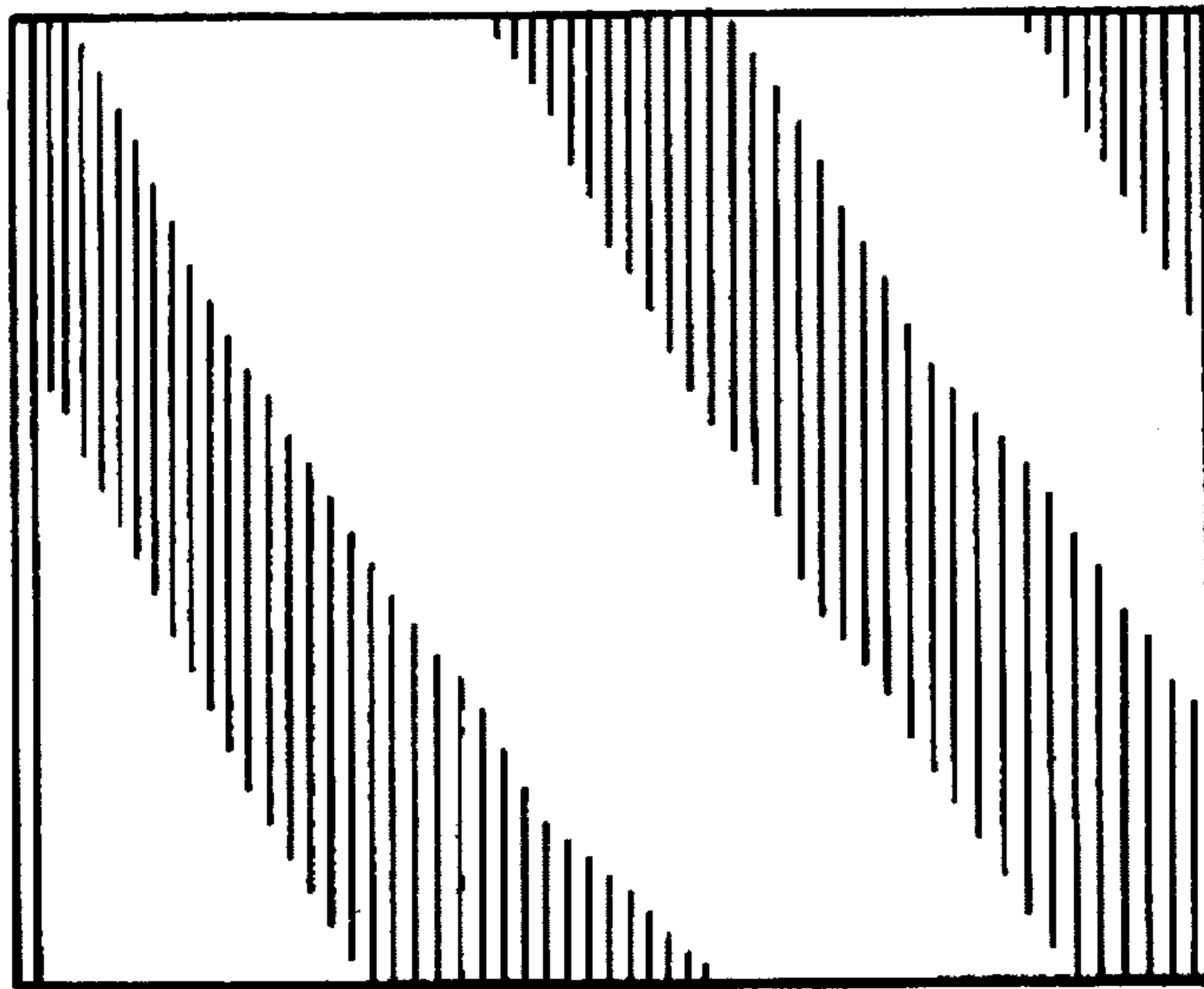


Fig. 4

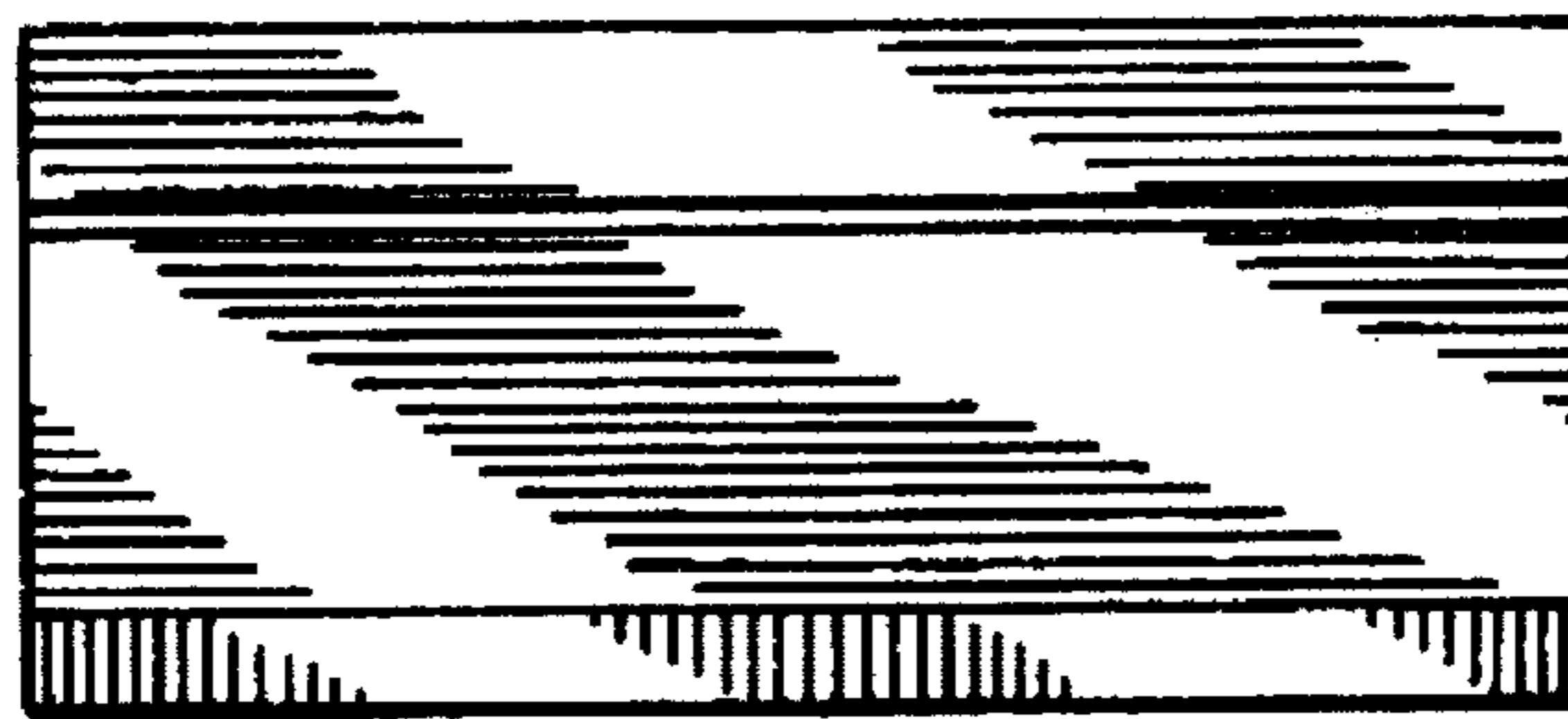


Fig. 5

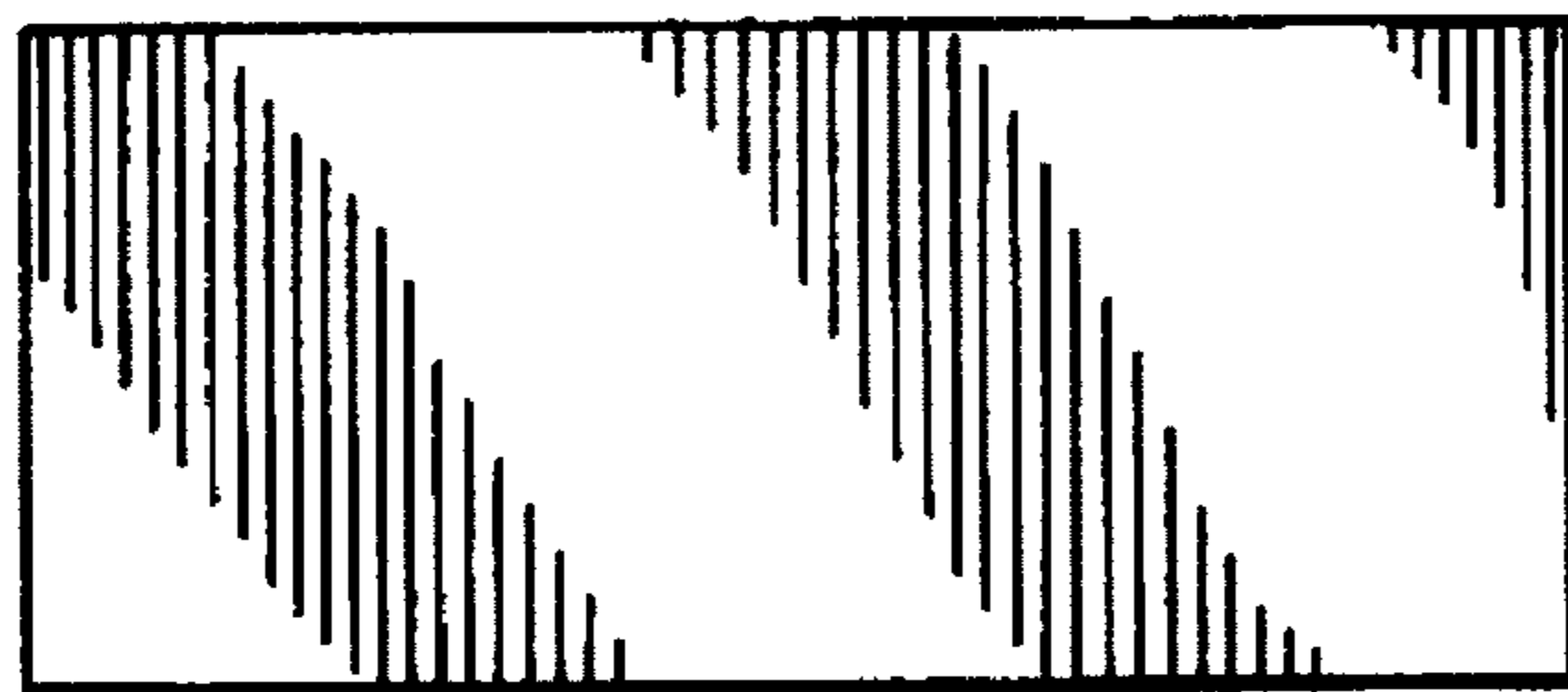


Fig. 6

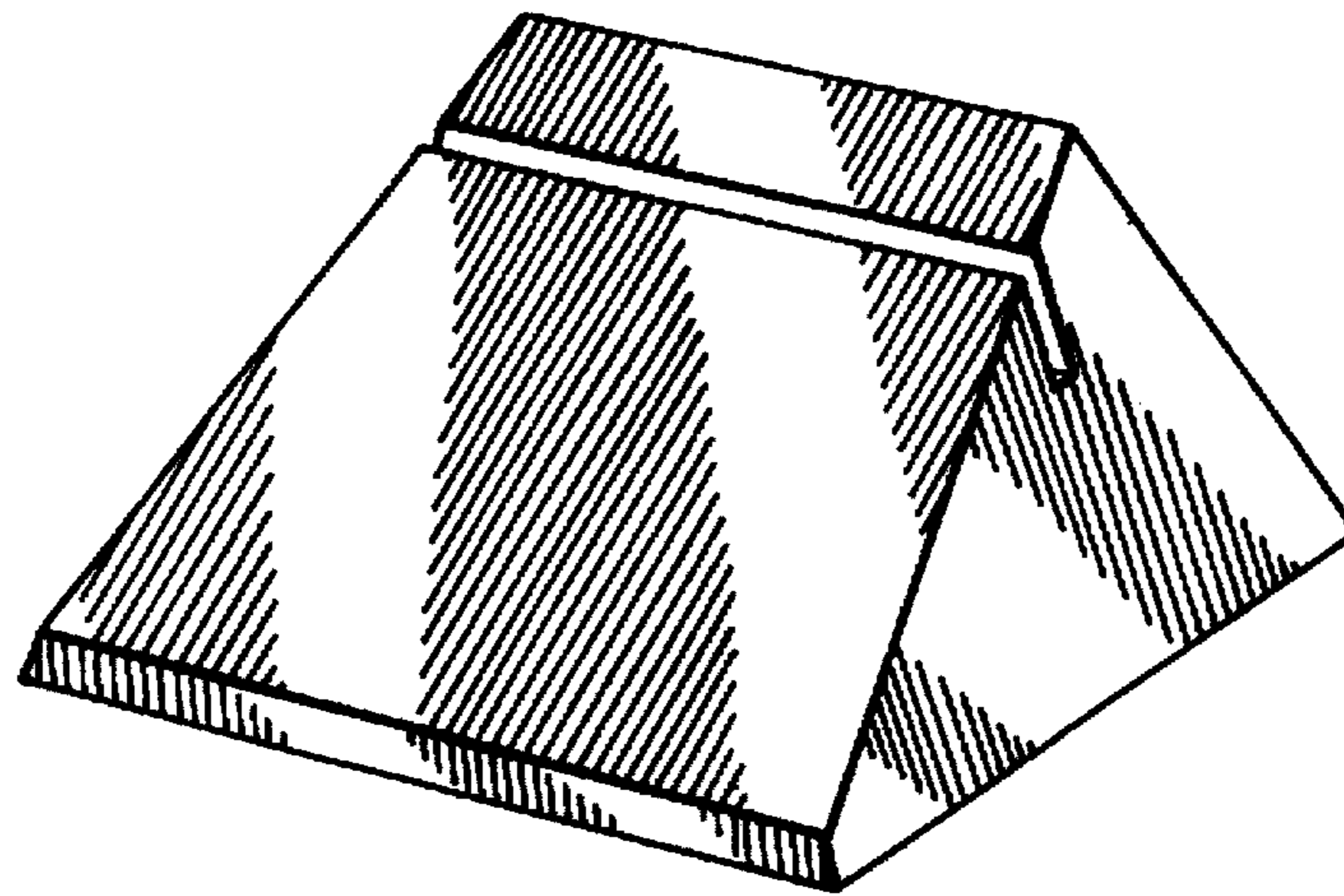


Fig. 7

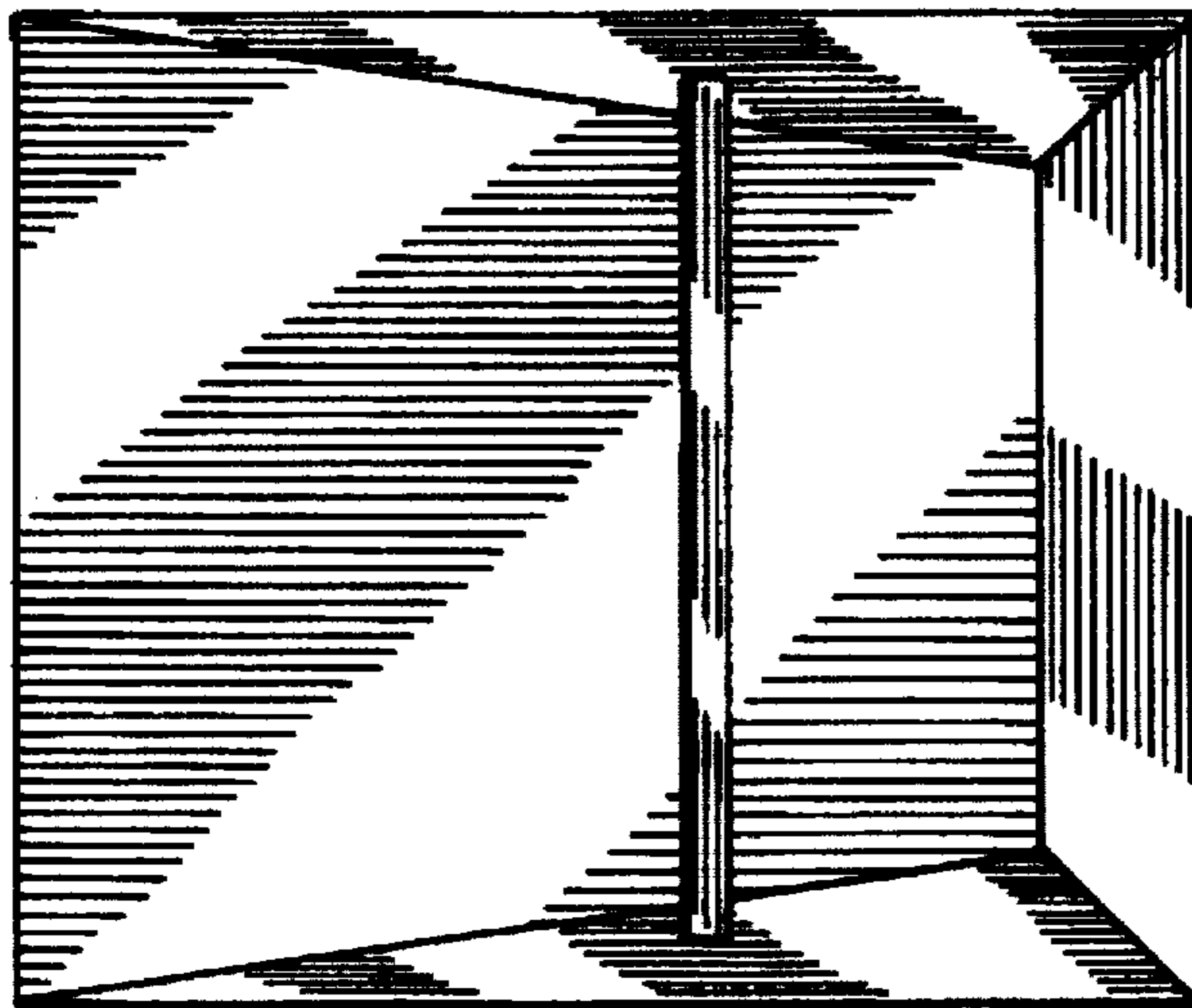


Fig. 8

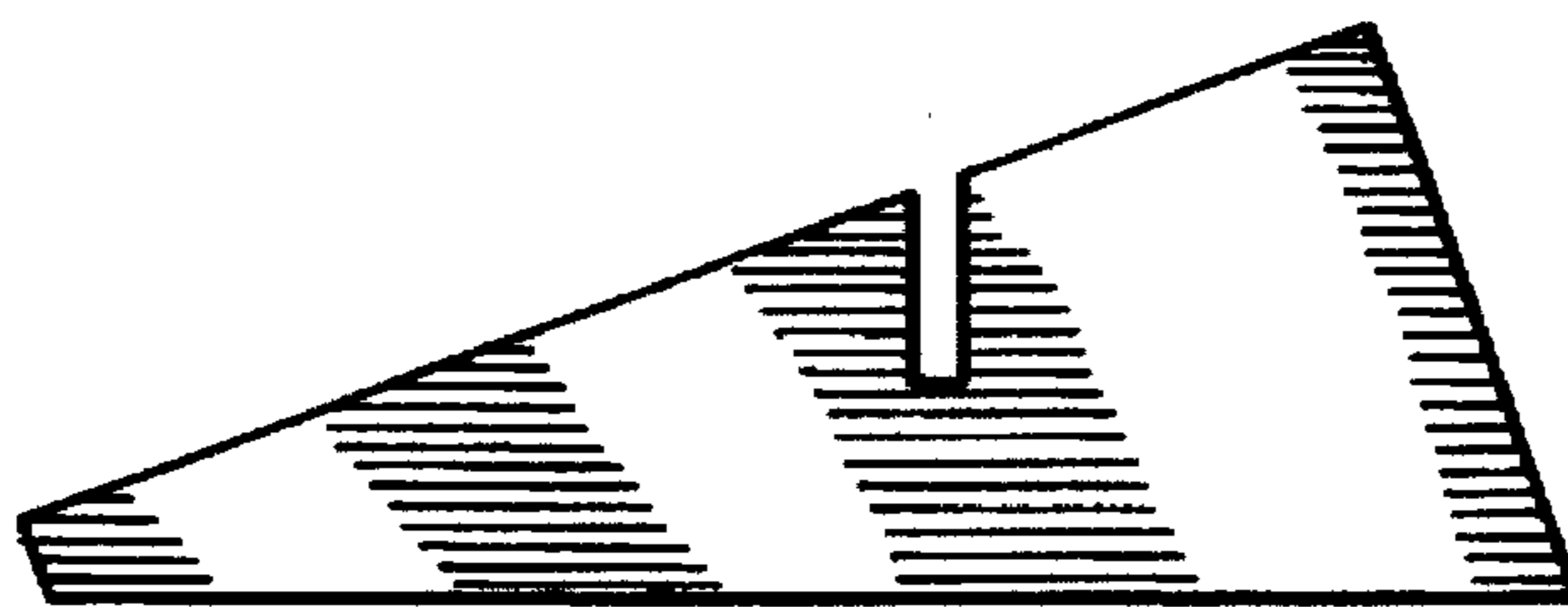


Fig. 9

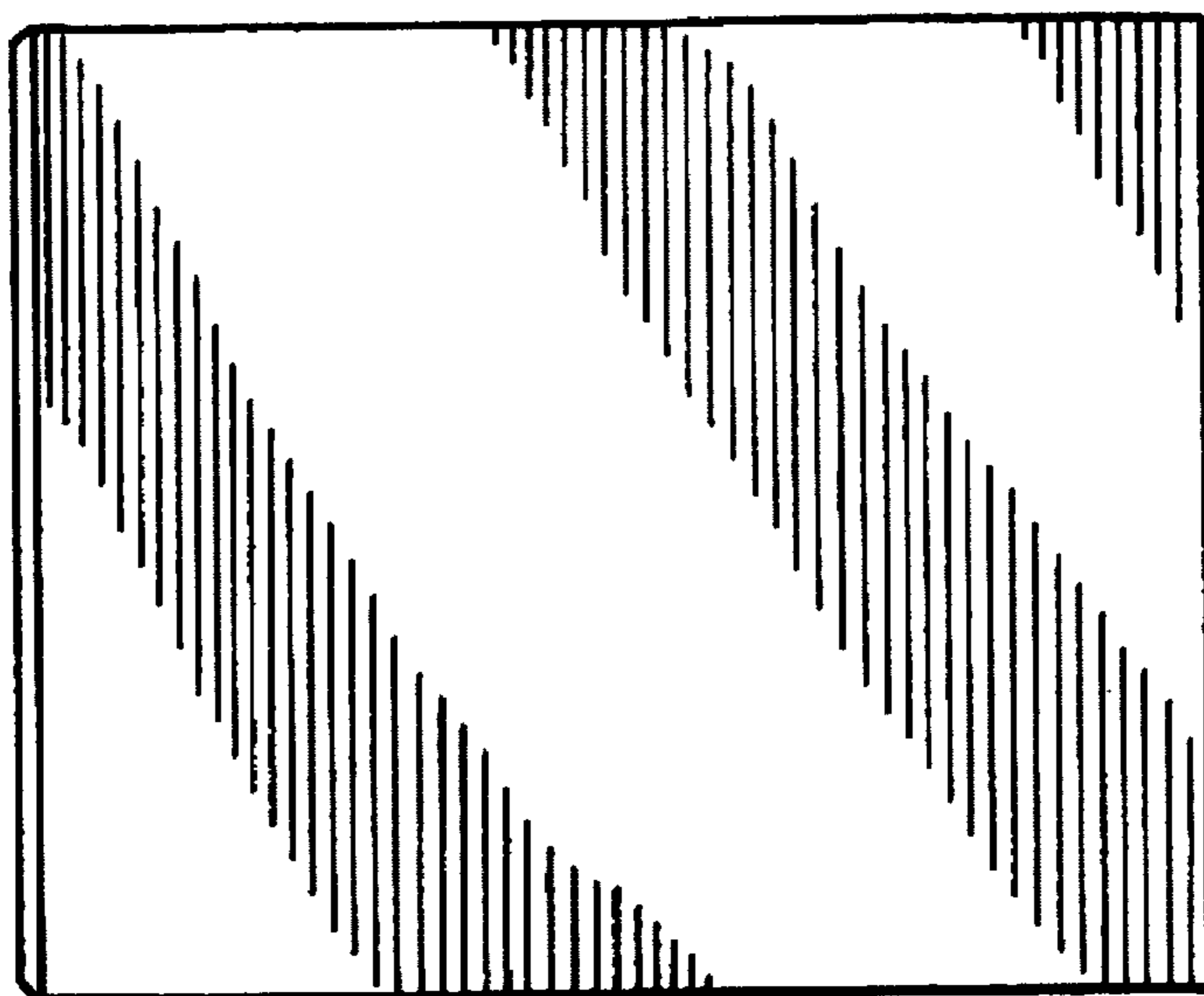


Fig. 10

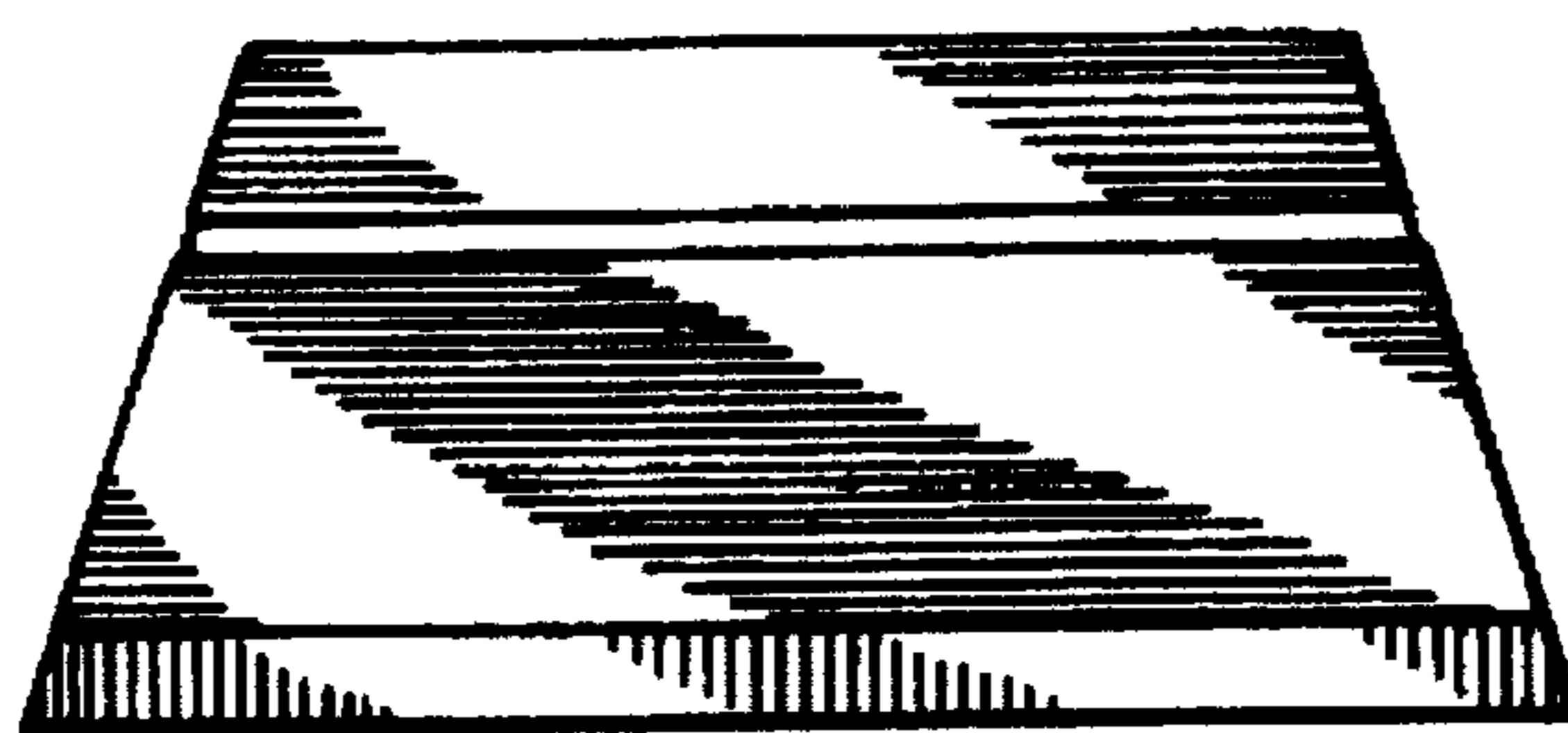


Fig. 11

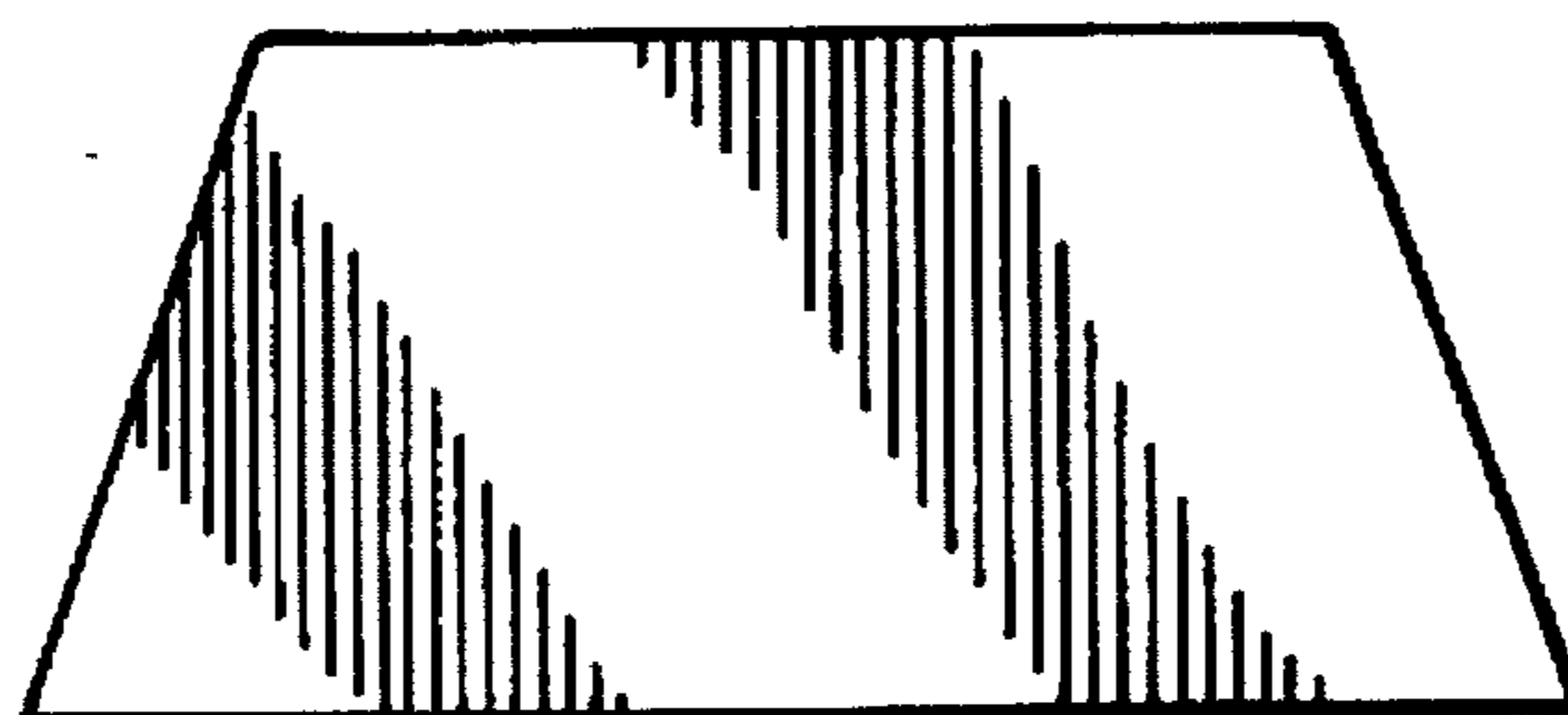


Fig. 12

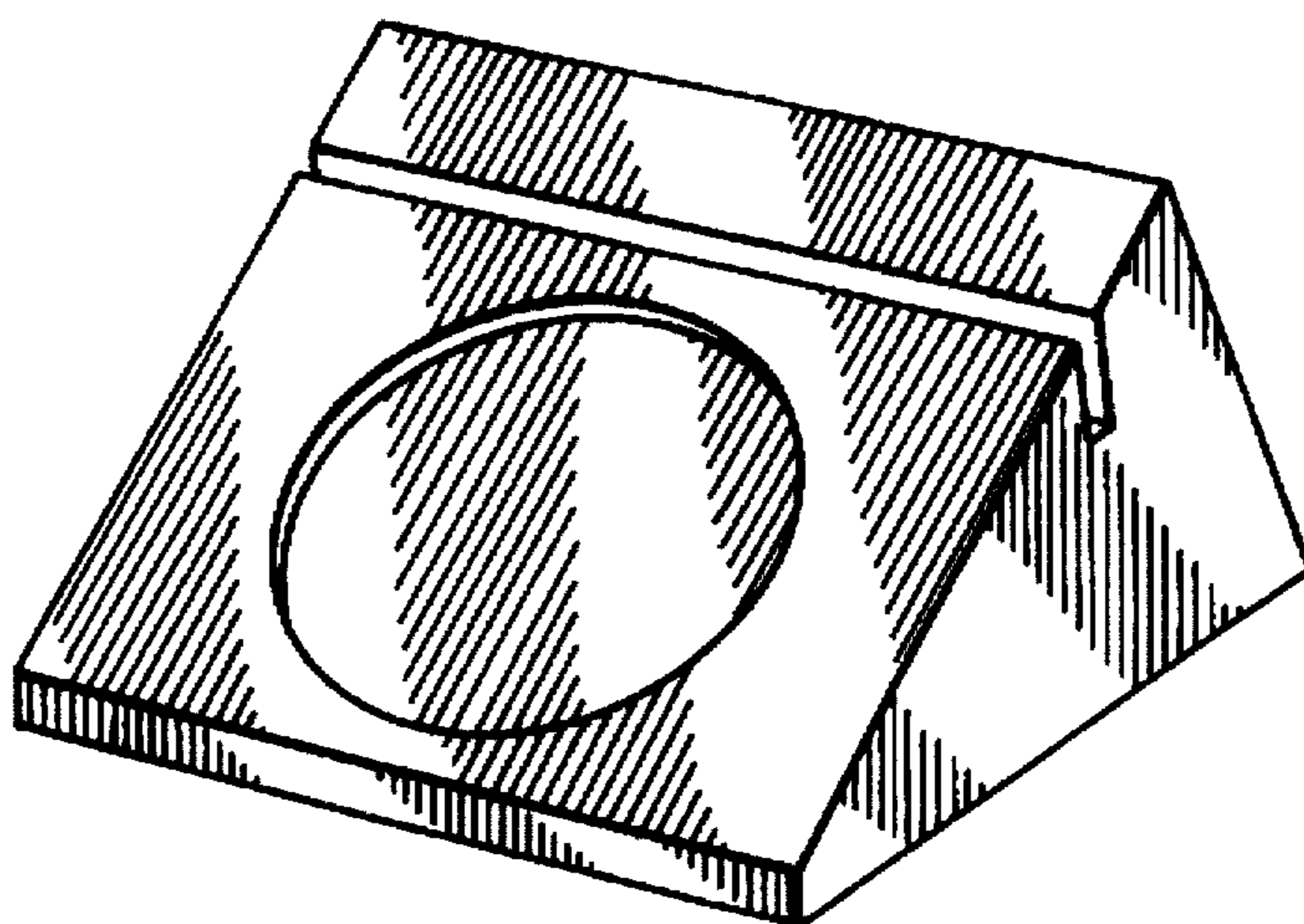


Fig. 13

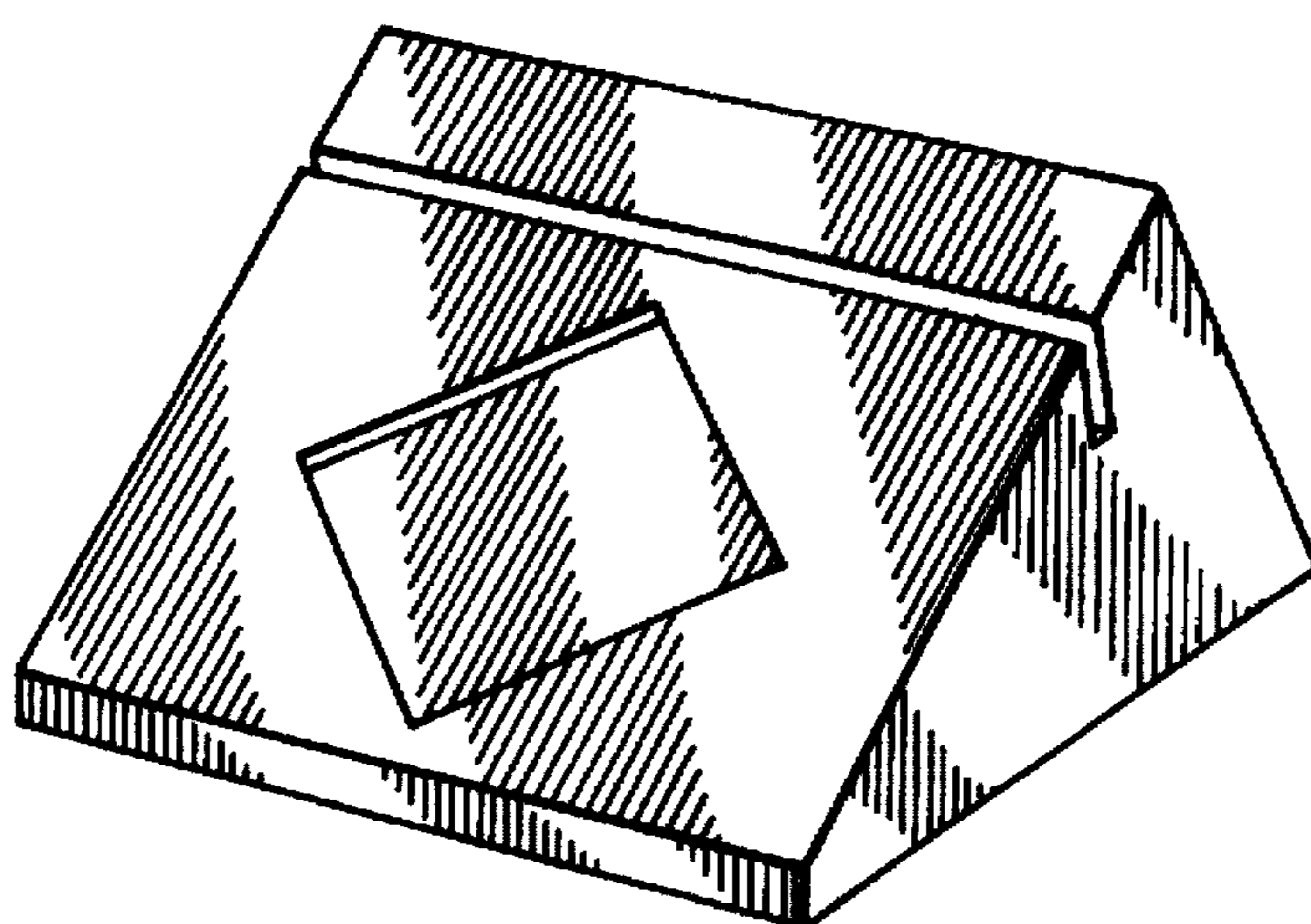


Fig. 14

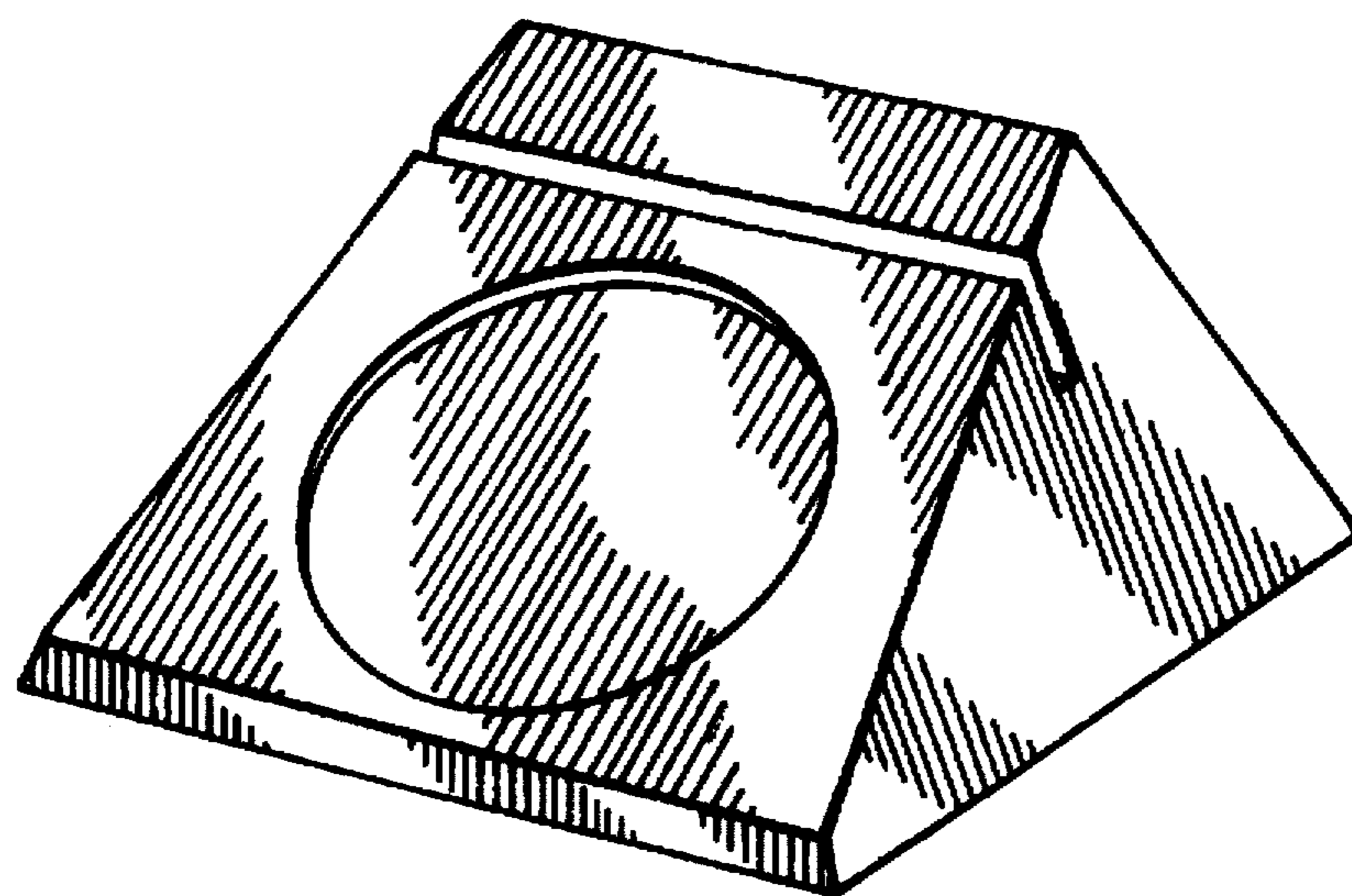


Fig. 15

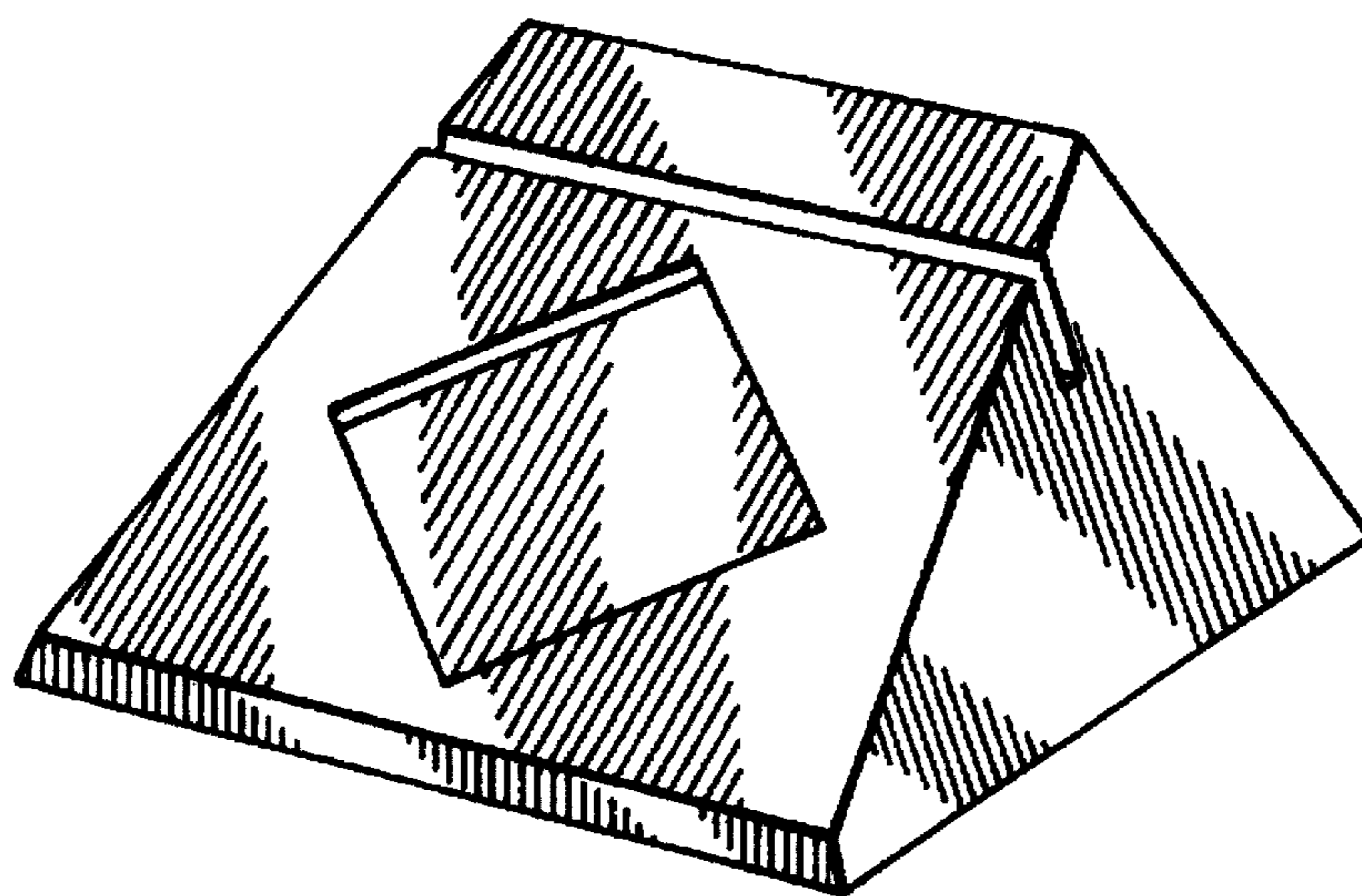


Fig. 16