



US00D390881S

# United States Patent [19] Kiggins

[11] Patent Number: **Des. 390,881**  
[45] Date of Patent: **\*\*Feb. 17, 1998**

[54] **DISPLAY HOLDER**

2,993,287 7/1961 Goesle ..... D20/21 X

[75] Inventor: **Timothy Reed Kiggins**, Syracuse, N.Y.

*Primary Examiner*—Susan J. Lucas

[73] Assignee: **Pass & Seymour, Inc.**, Syracuse, N.Y.

*Assistant Examiner*—Jennifer Register

*Attorney, Agent, or Firm*—Bond, Schoeneck & King, LLP

[\*\*] Term: **14 Years**

[57] **CLAIM**

[21] Appl. No.: **60,106**

The ornamental design for a display holder, as shown and described.

[22] Filed: **Sep. 23, 1996**

**DESCRIPTION**

[51] **LOC (6) Cl.** ..... **20-02**

FIG. 1 is a front perspective view of a display holder, showing my new design;

[52] **U.S. Cl.** ..... **D20/21; D20/42**

FIG. 2 is a front view thereof;

[58] **Field of Search** ..... **D20/10, 42, 21;**

FIG. 3 is a back view thereof;

40/530, 493; 211/113, 115, 116, 119, 100,

FIG. 4 is a left side view thereof;

162, 164, 165, 181.1

FIG. 5 is a bottom plan view thereof;

FIG. 6 is a right side view thereof; and

FIG. 7 is a top plan view thereof.

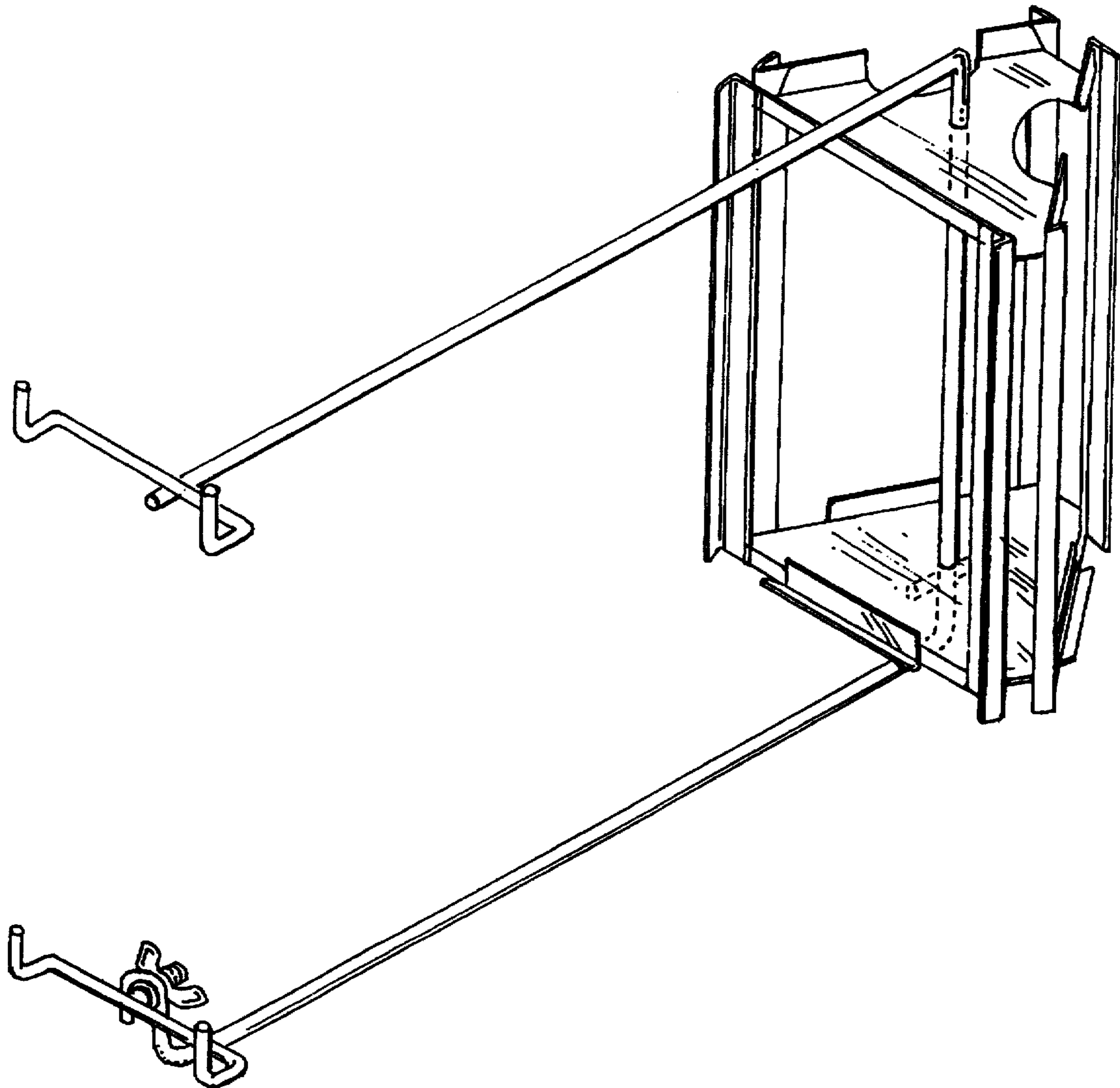
[56] **References Cited**

**U.S. PATENT DOCUMENTS**

D. 179,895 3/1957 Howe ..... D20/21

D. 310,245 8/1990 Von Canal ..... D20/21

**1 Claim, 6 Drawing Sheets**



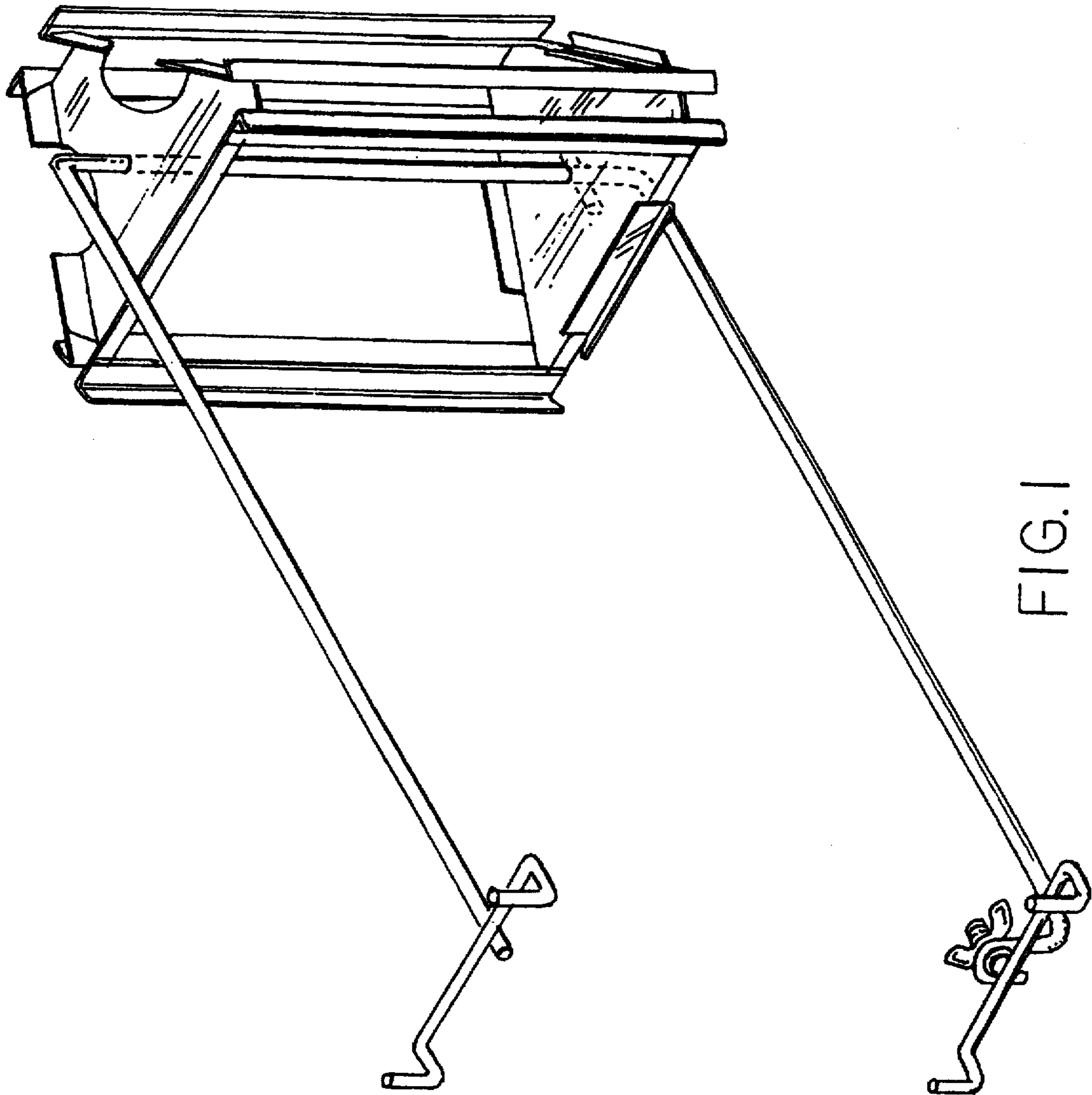


FIG. 1

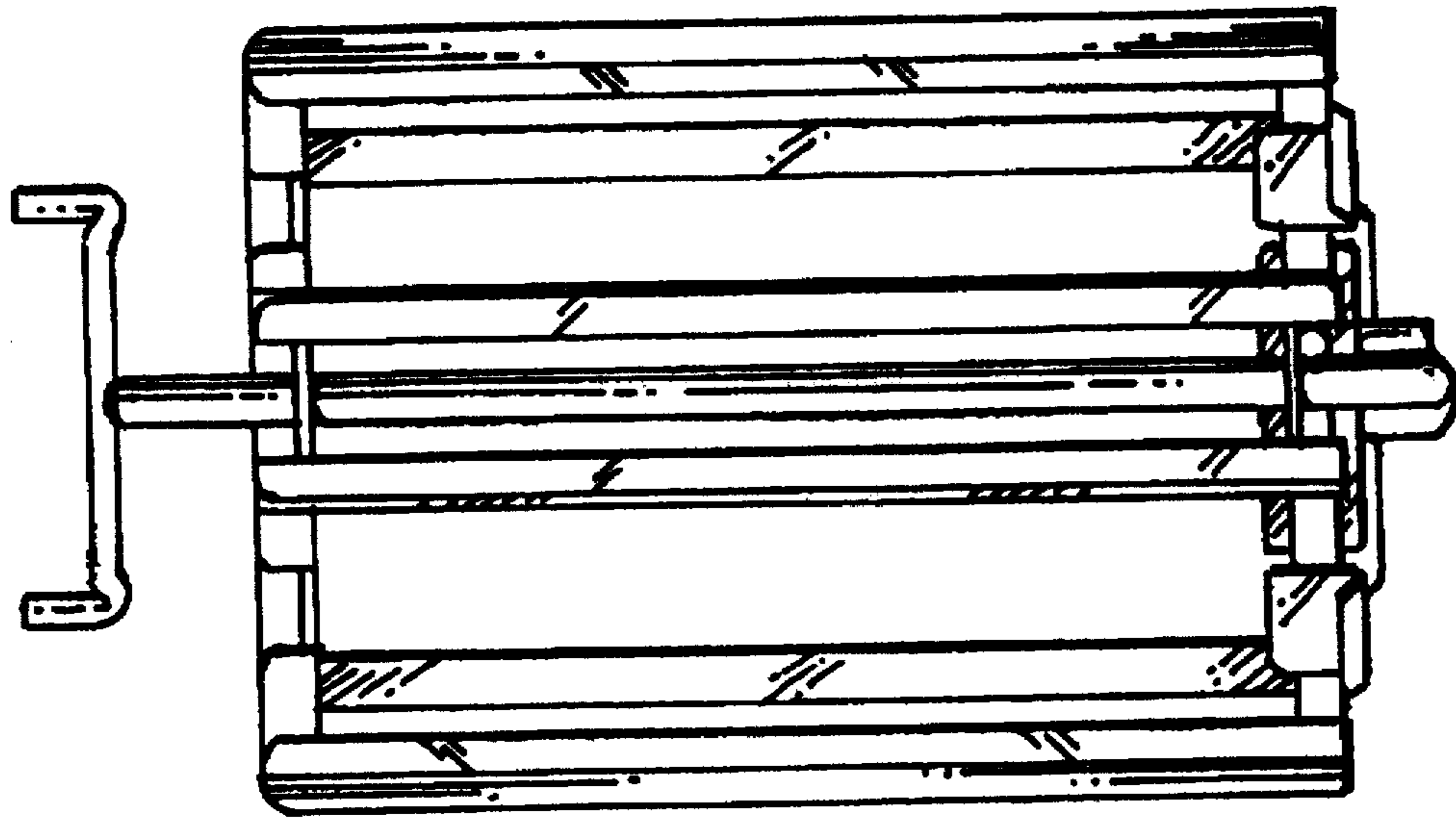


FIG. 3

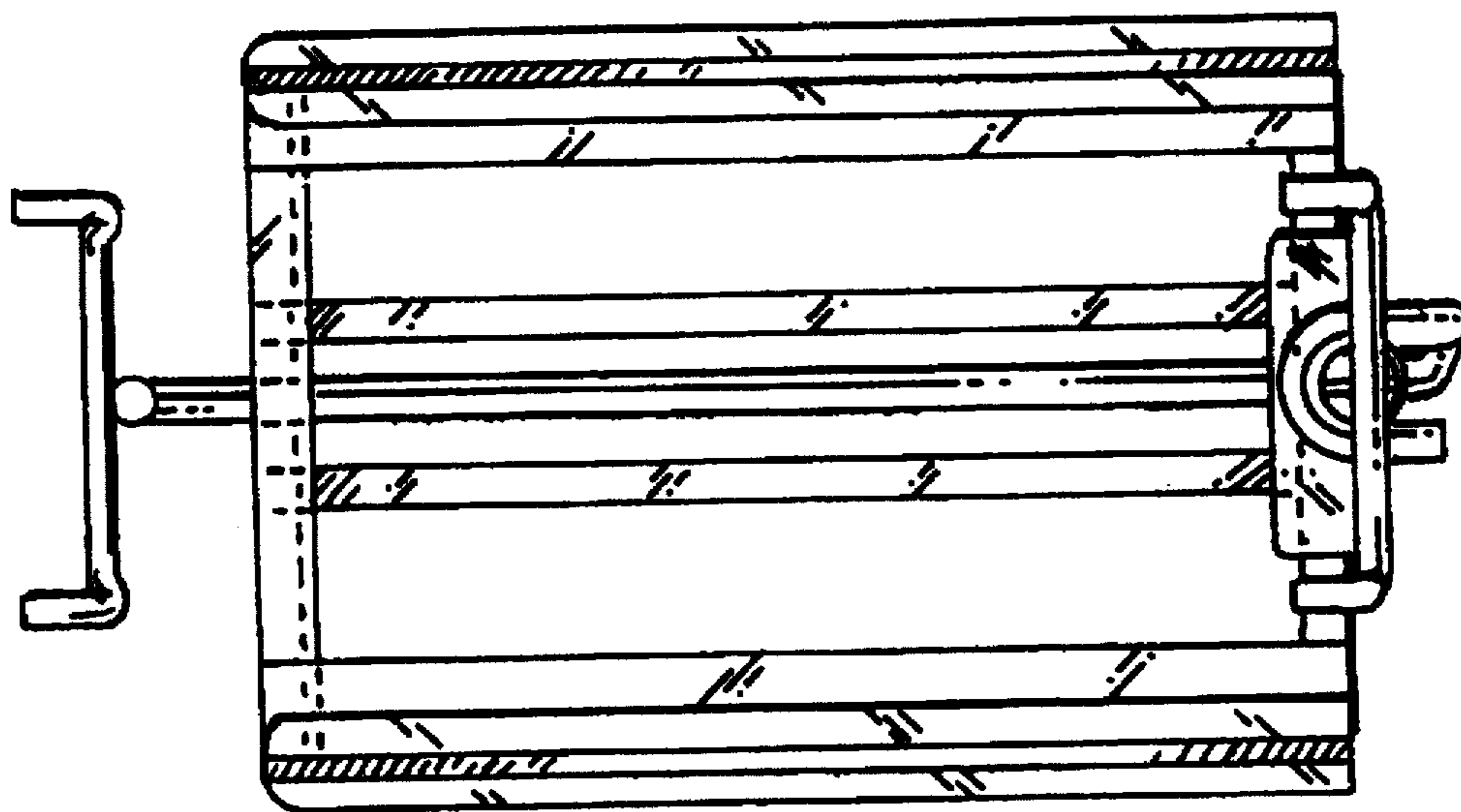


FIG. 2

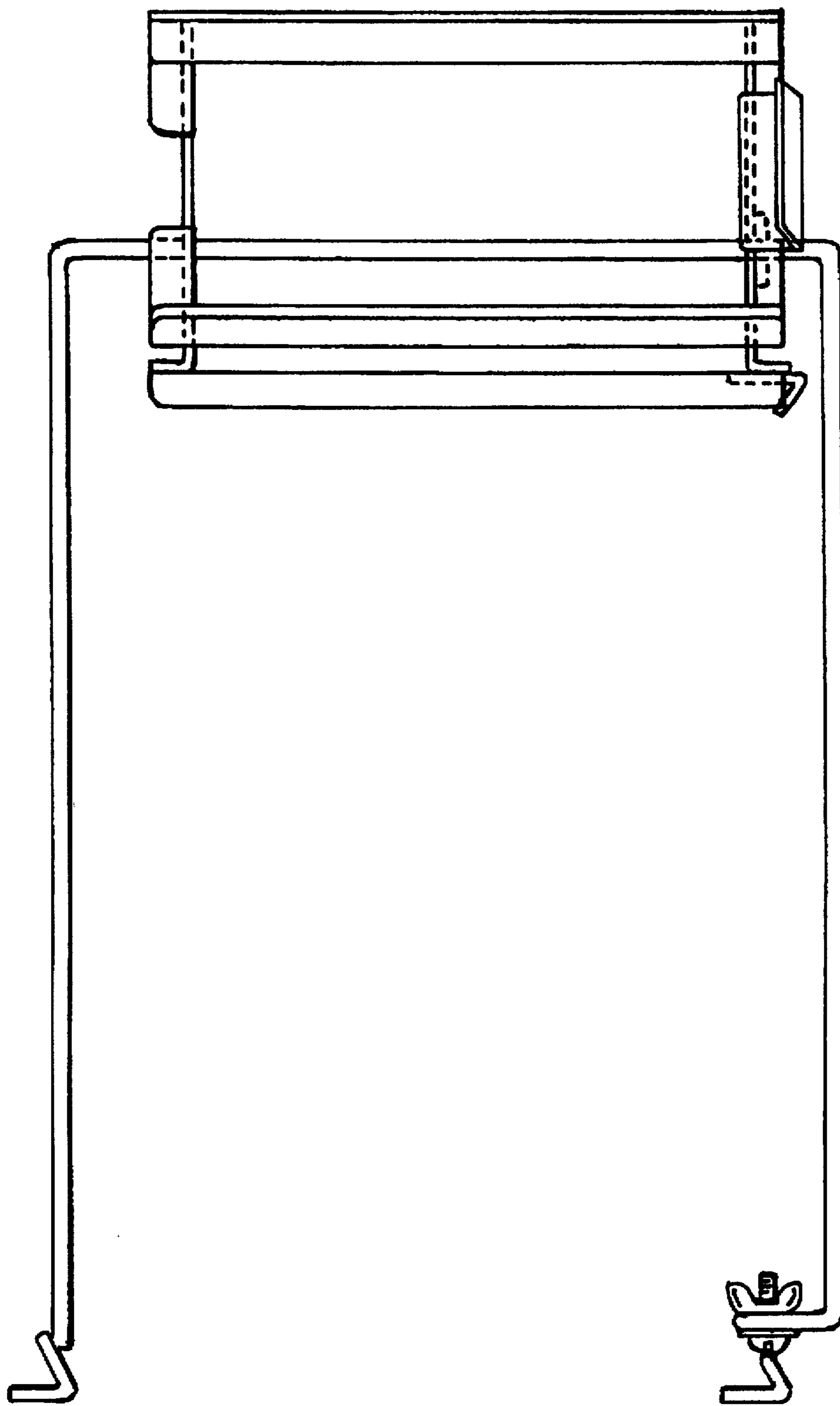


FIG. 4

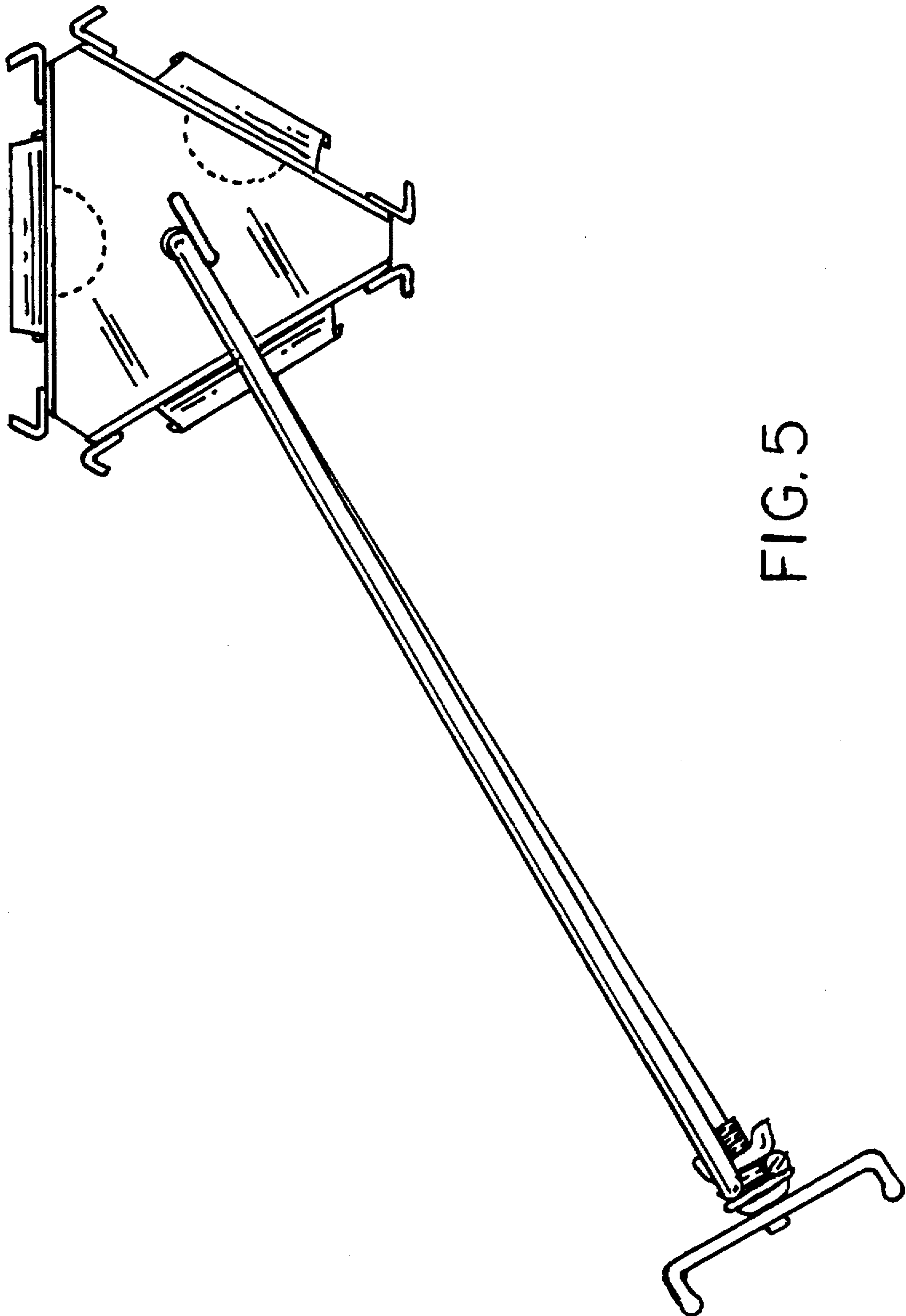


FIG. 5

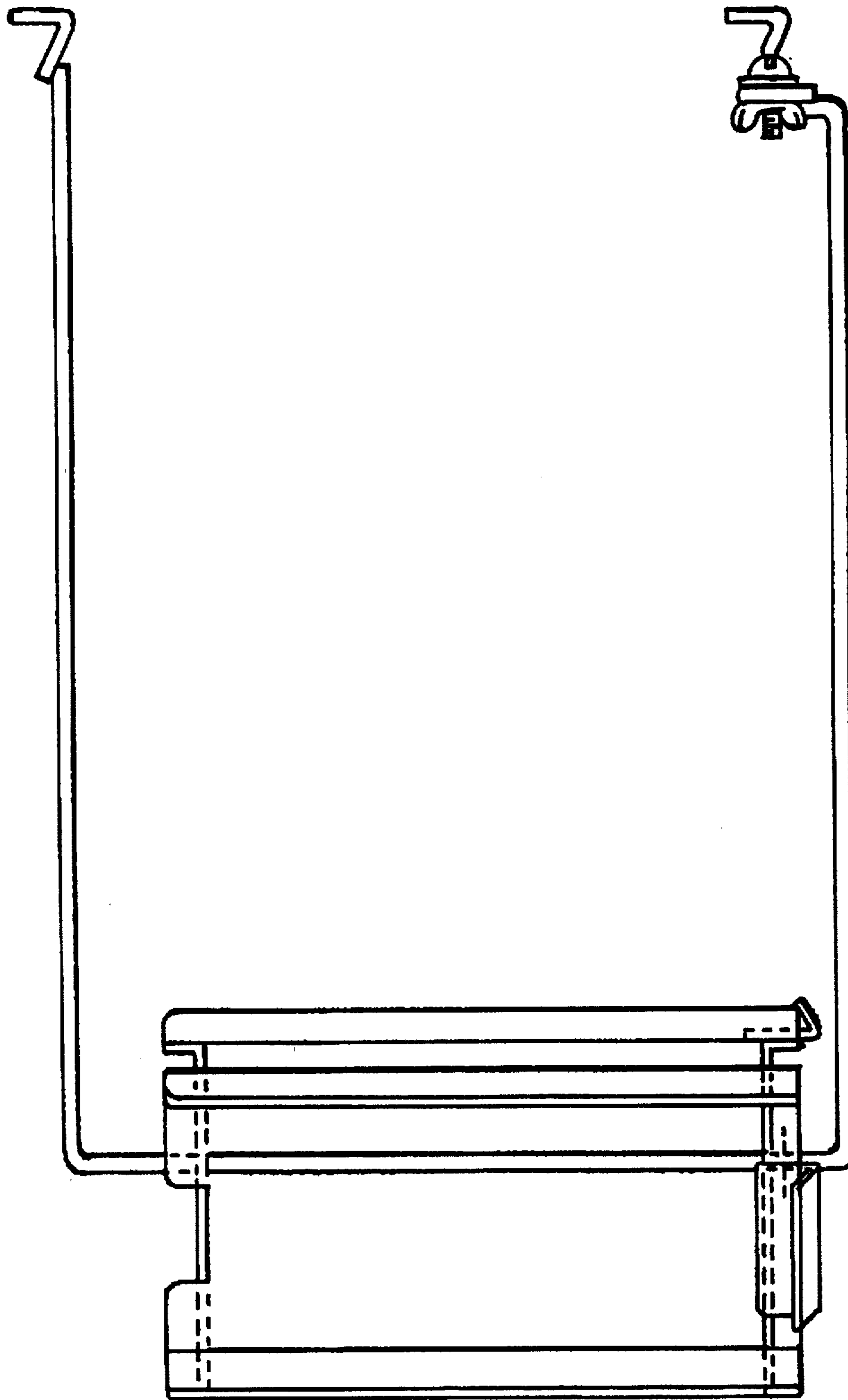


FIG. 6



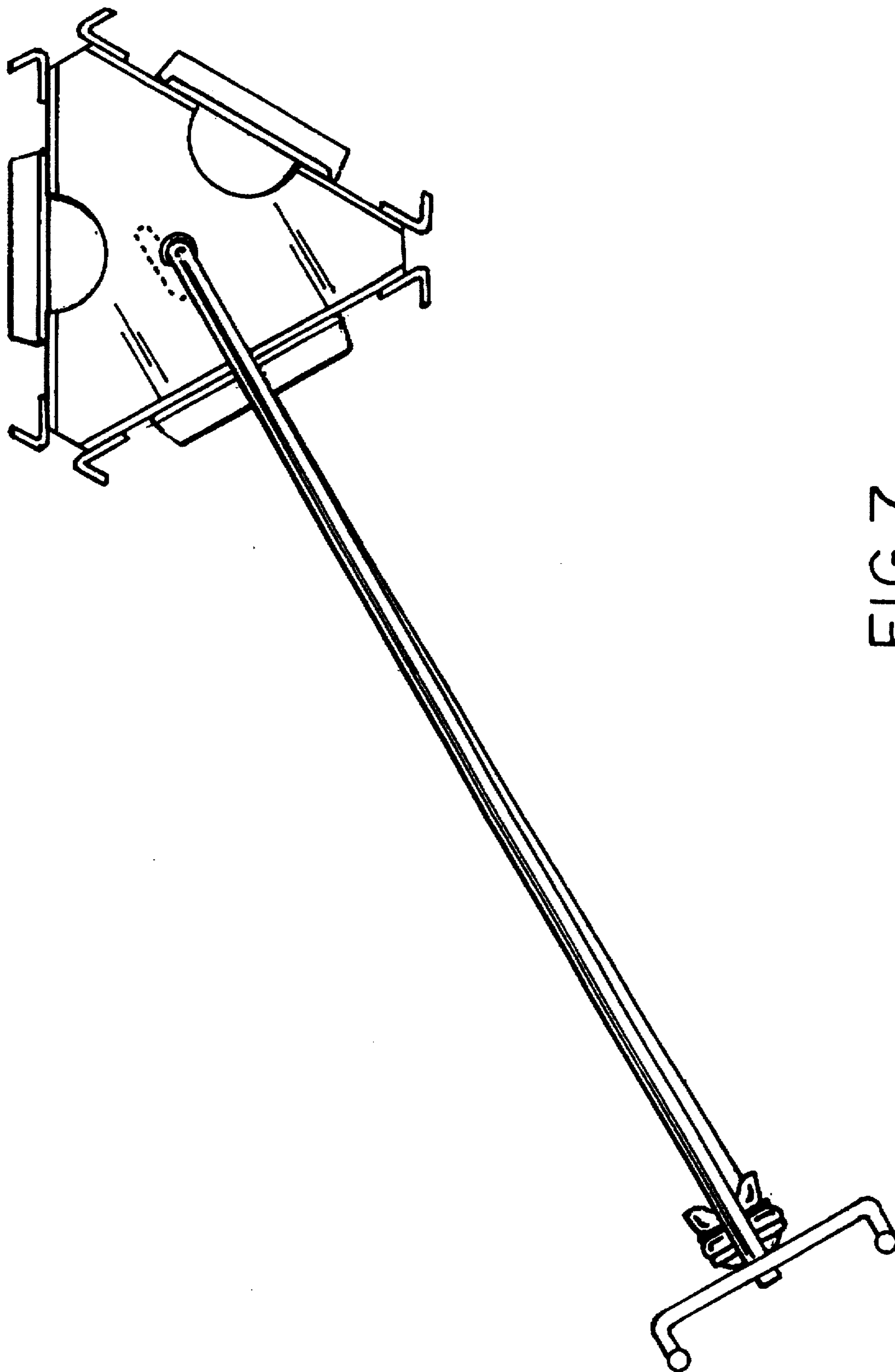


FIG. 7